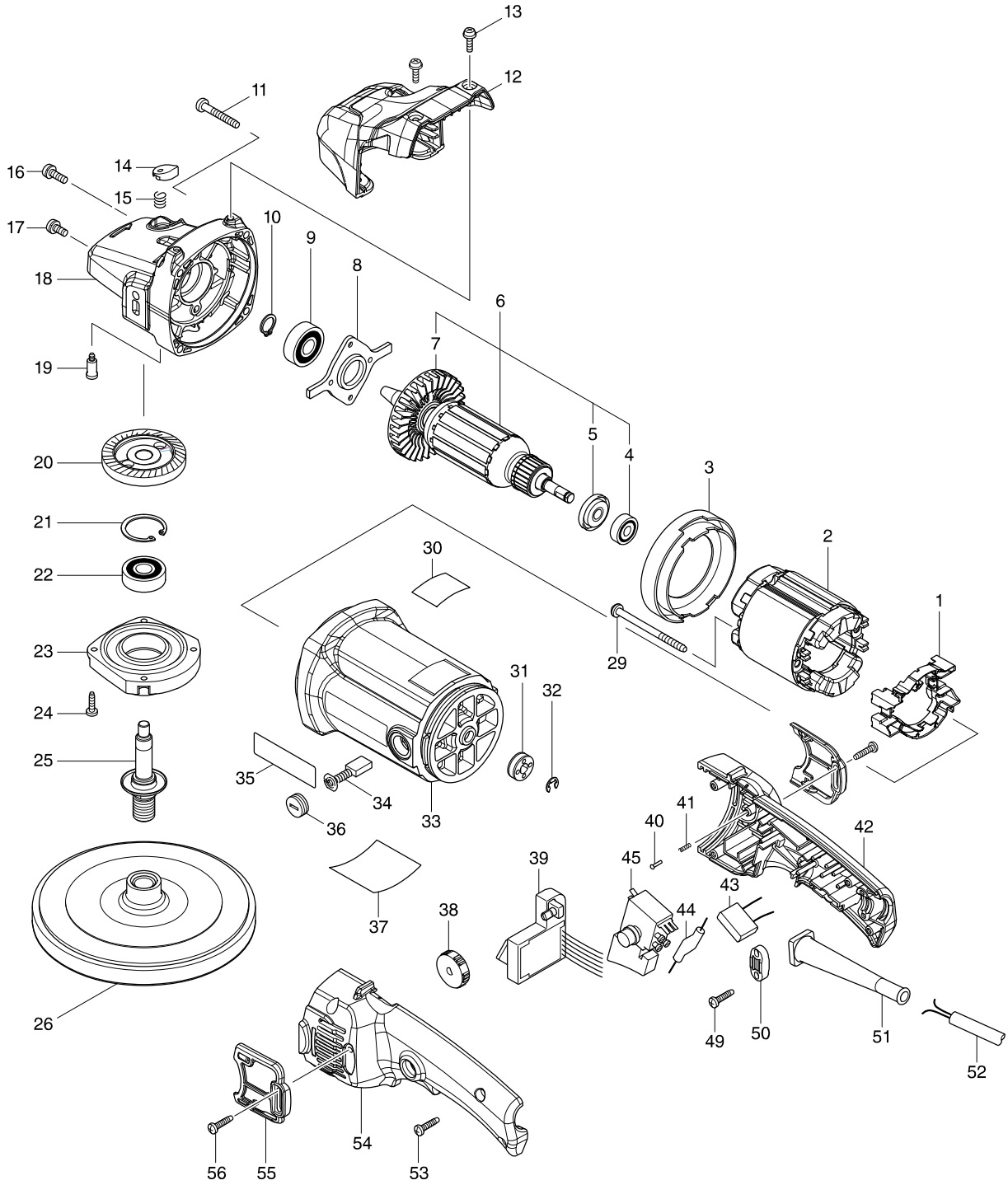


Model No. 9237CB 180MM POLISHER



Model No. 9237CB 180MM POLISHER

Item	Parts No.	Description	I/C	QTY	N/O	Opt. 1	Opt. 2	NOTE
001	539168-0	SUPPORT ASS'Y		1	100			
C10	654020-2	RING TERMINAL		1	100			
C20	654501-6	CONNECTOR P-1.25		1	100			
002A	634291-7	FIELD 115V		1	152			
002B	634293-3	FIELD 220/240V		1	152			
003	416253-5	BAFFLE PLATE		1	100			
004	211031-6	BALL BEARING 608LLB		1	100			
005	681644-1	INSULATION WASHER		1	100			
D10		INC. 4,5,7						
006A	516306-1	ARMATURE ASS'Y 115V		1	151			
006B	516308-7	ARMATURE ASS'Y 220/240V		1	151			
007	240002-6	FAN 70		1				
008	285687-1	BEARING RETAINER 48		1	100			
009	211106-1	BALL BEARING 6201LLB		1	100			
010	961052-5	RETAINING RING S-12		1	100			
011	266012-5	TAPPING SCREW 5X35		4	100			
012	455291-2	HEAD COVER		1				
013	911118-1	PAN HEAD SCREW M4X12		2	100			
014	415491-6	PIN CAP		1	100			
015	233072-2	COMPRESSION SPRING 8		1	100			
016	911221-8	PAN HEAD SCREW M5X16		1	100			
017	911211-1	PAN HEAD SCREW M5X12		1	100			
018	142747-1	GEAR HOUSING COMPLETE		1				
019	256504-2	SHOULDER PIN 9		1	100			
020	227512-0	SPIRAL BEVEL GEAR 52		1	100			
021	962151-6	RETAINING RING R-32		1	100			
022	211106-1	BALL BEARING 6201LLB		1	100			
023	316896-2	BEARING BOX		1	100			
024	266034-5	TAPPING SCREW CT 4X16		4	100			
025	152551-0	SPINDLE COMPLETE		1	100			
C10	344347-5	LABYRINTH RING		1	100			
026	743053-3	PAD 165		1				
029	266038-7	TAPPING SCREW 5X70		2	100			
030	804M47-2	INDICATION LABEL		1				
031	688110-9	MAGNET SLEEVE		1	100			
032	961012-7	STOP RING E-6		1	100			
033	187958-1	MOTOR HOUSING SET		1				
C10	643708-9	BRUSH HOLDER 5-11		2	100			
D10		INC. 35						
034	191963-2	CARBON BRUSH CB-303		1	100			
035	819285-5	MAKITA LOGO LABEL		2	100			
036	643750-0	BRUSH HOLDER CAP 7-11		2	*	100		
036-1	643515-0	HOLDER CAP 7-11	O	2				
037	815Y34-8	9237CB NAME PLATE		1				
038	271417-6	DIAL 28		1	100			
039A	631226-9	CONTROLLER 100-130V		1	100			
039B	631227-7	CONTROLLER 200-250V		1	100			
040	255058-6	RIVET 2		1	100			

