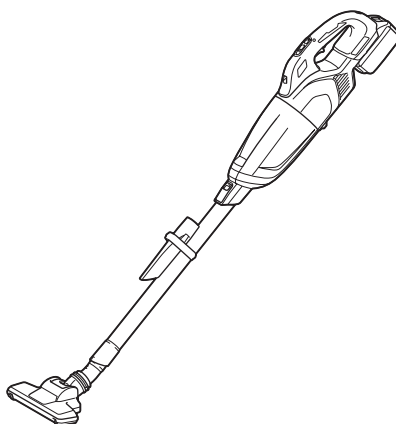




EN	Cordless Cleaner	INSTRUCTION MANUAL	8
SL	Brezžični čistilnik	NAVODILA ZA UPORABO	17
SQ	Pastruesi me bateri	MANUALI I PËRDORIMIT	26
BG	Акумулаторна прахосмукачка	РЪКОВОДСТВО ЗА ЕКСПЛОАТАЦИЯ	35
HR	Bežični usisavač	PRIRUČNIK S UPUTAMA	45
MK	Безжична правосмукалка	УПАТСТВО ЗА УПОТРЕБА	54
SR	Бежични чистач	УПУТСТВО ЗА УПОТРЕБУ	64
RO	Aspirator cu acumulator	MANUAL DE INSTRUCȚIUNI	74
UK	Бездротовий пилосос	ІНСТРУКЦІЯ З ЕКСПЛУАТАЦІЇ	83
RU	Аккумуляторный пылесос	РУКОВОДСТВО ПО ЭКСПЛУАТАЦИИ	93

DCL283F



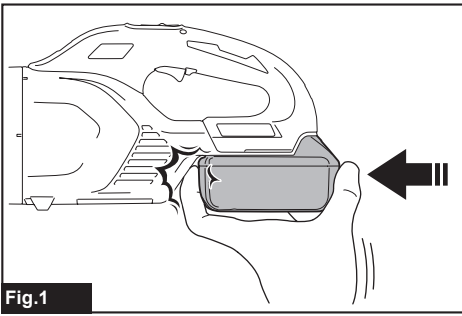


Fig.1

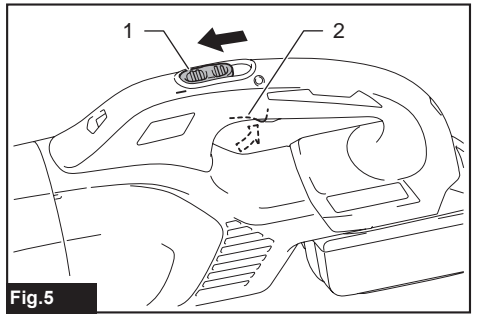


Fig.5

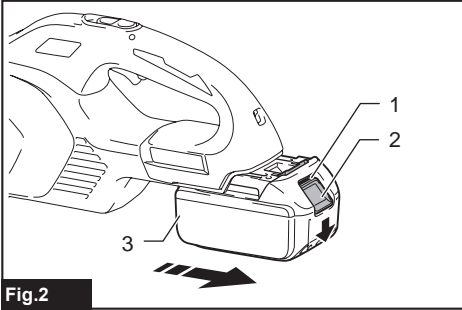


Fig.2

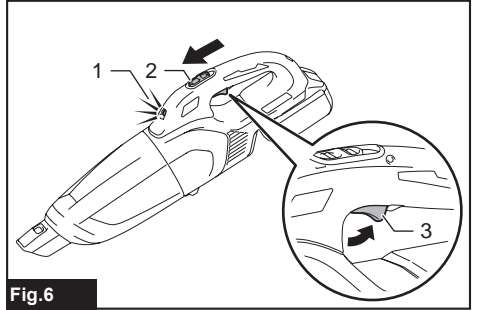


Fig.6

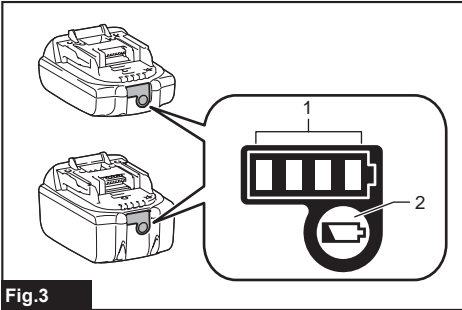


Fig.3

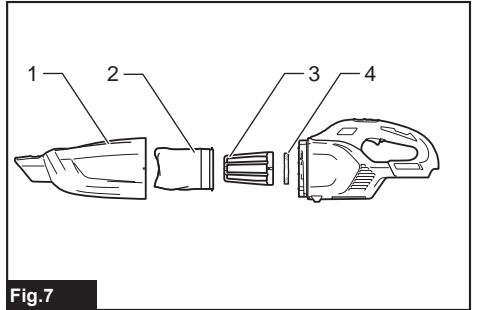


Fig.7

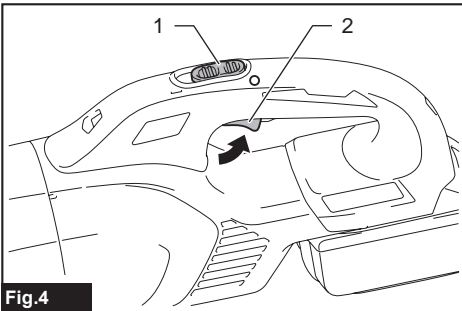


Fig.4

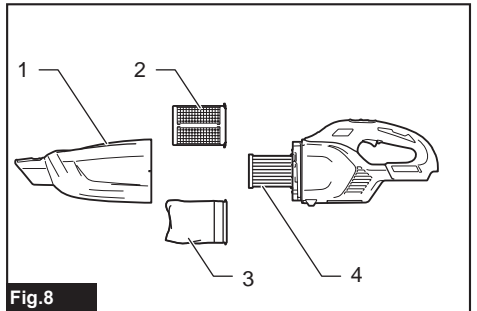
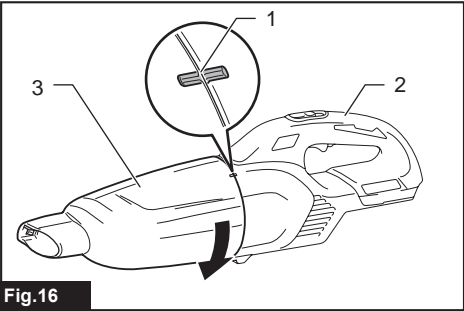
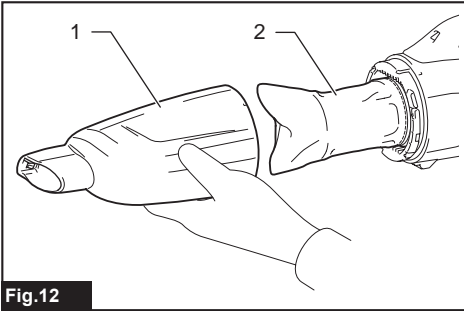
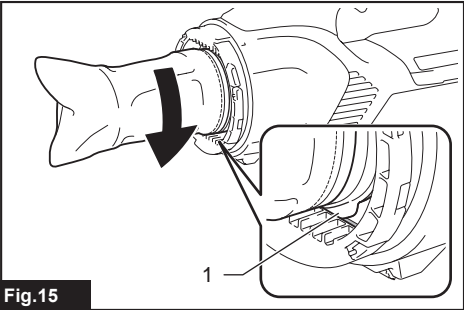
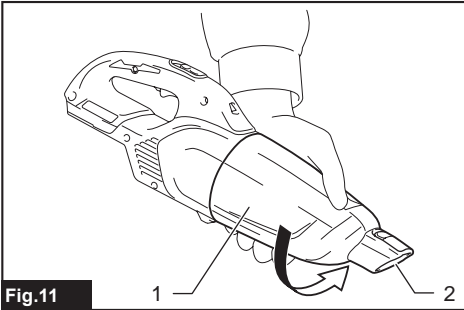
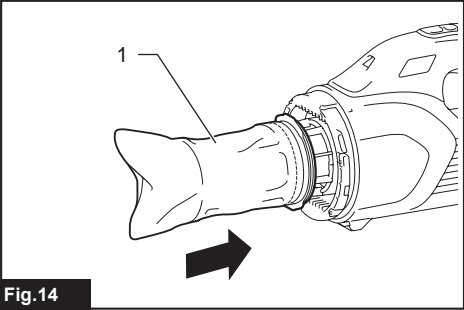
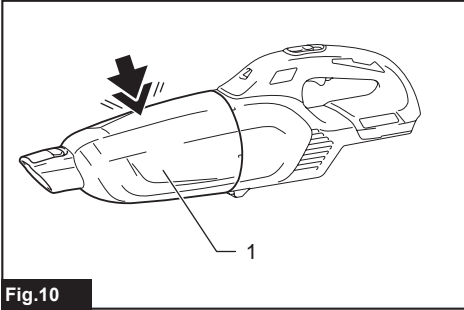
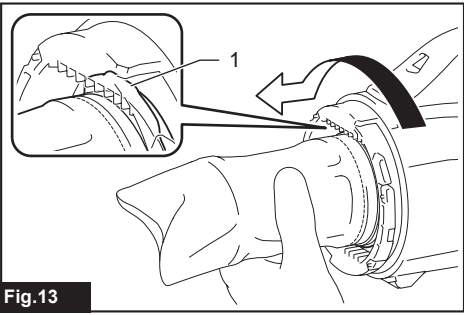
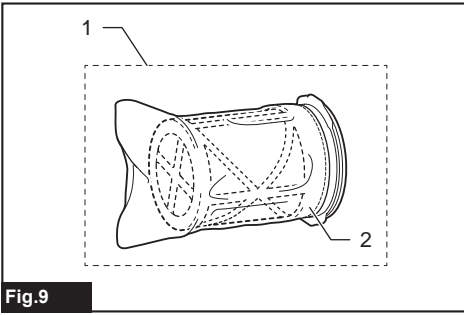
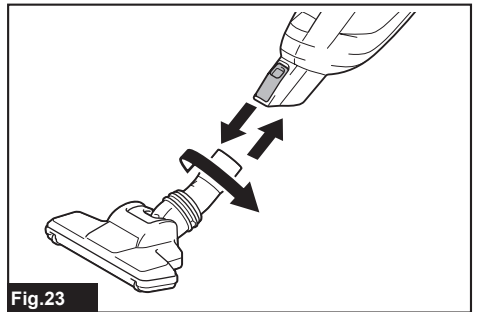
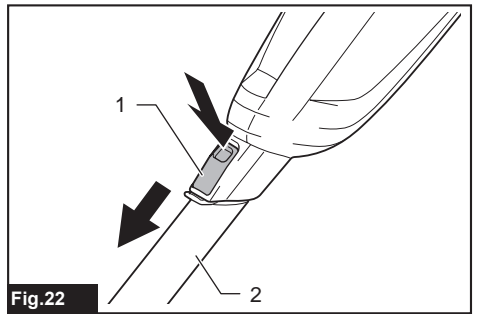
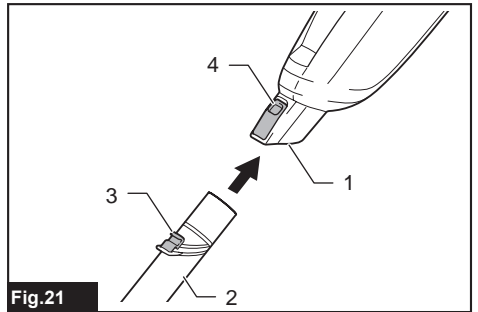
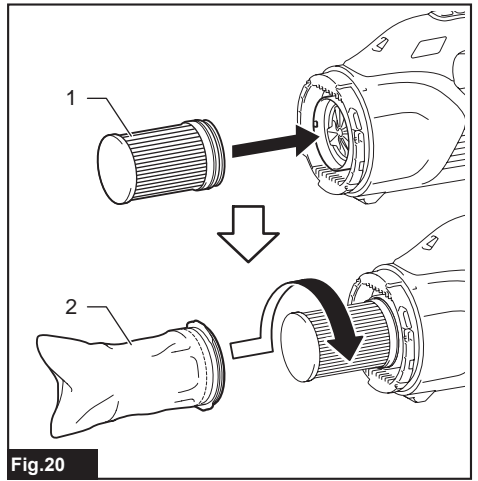
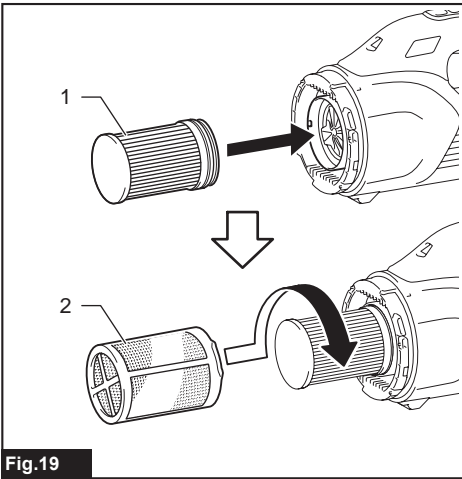
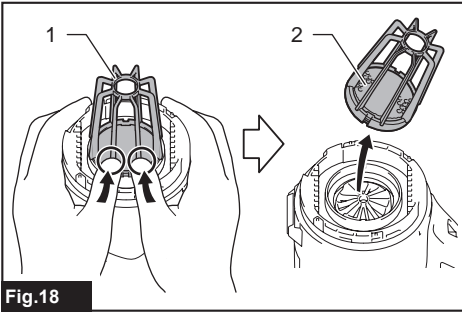
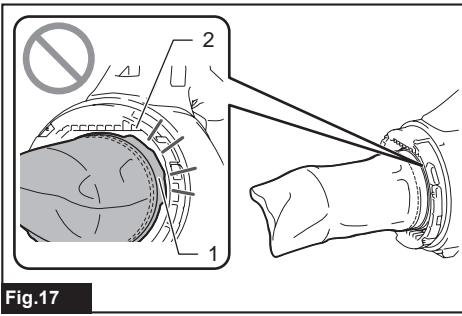
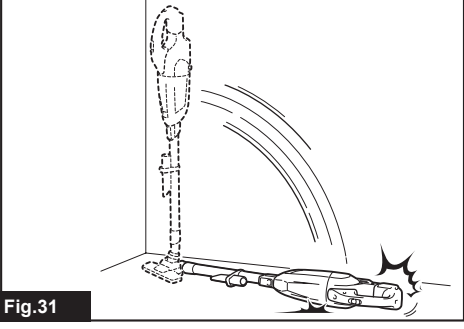
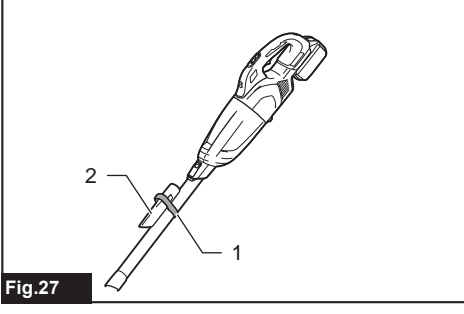
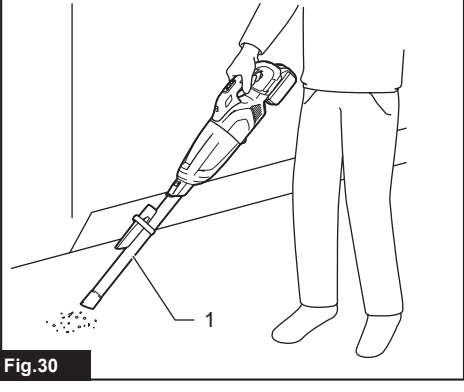
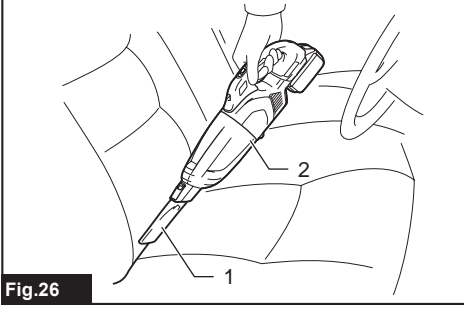
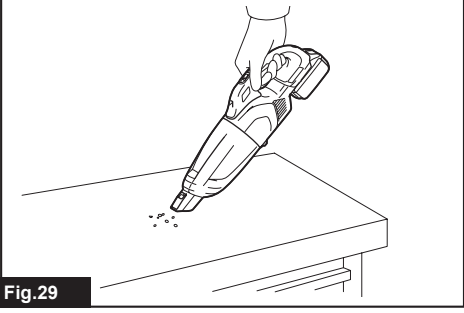
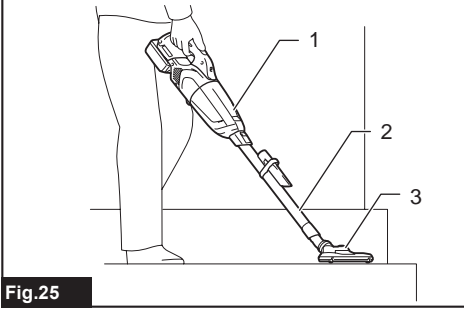
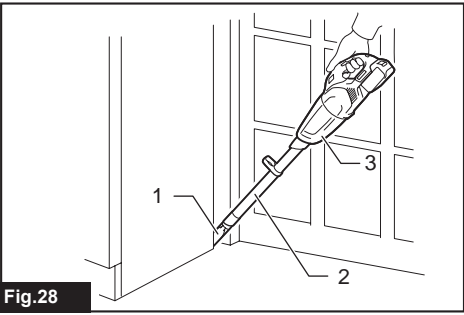
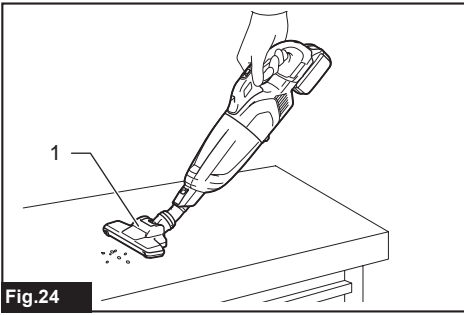


Fig.8







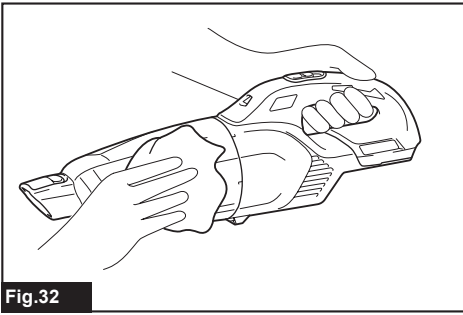


Fig.32

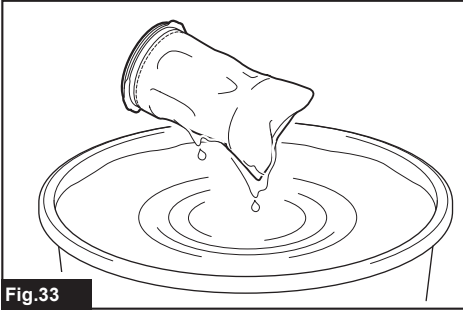


Fig.33

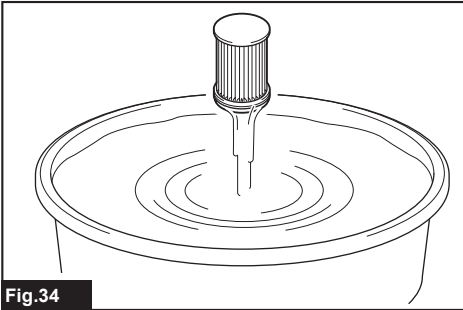


Fig.34

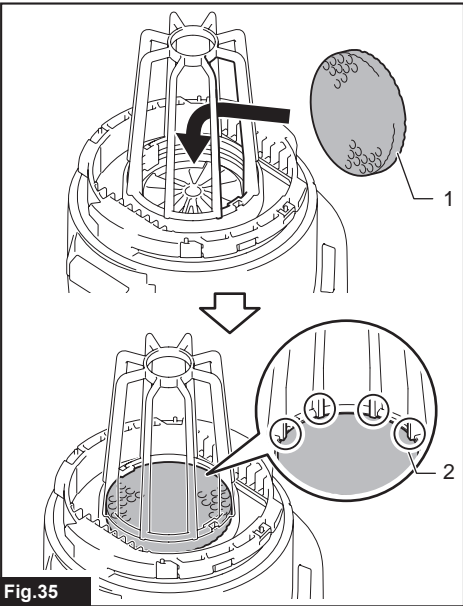


Fig.35

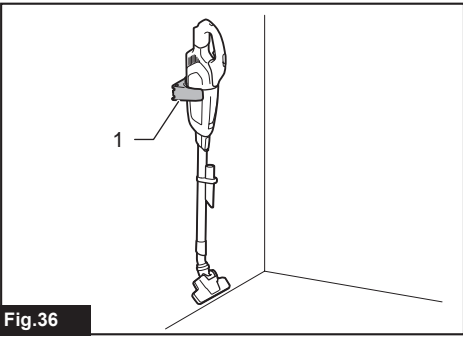
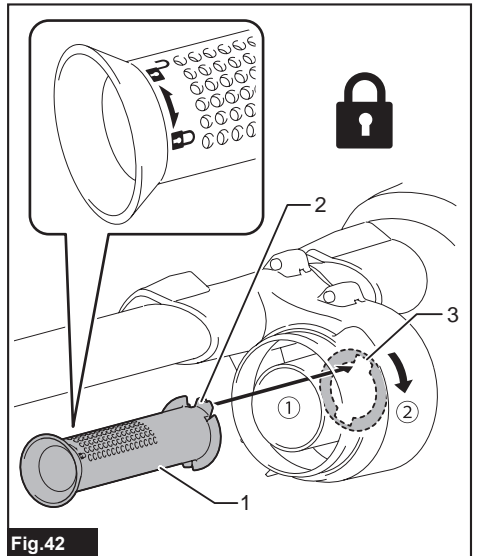
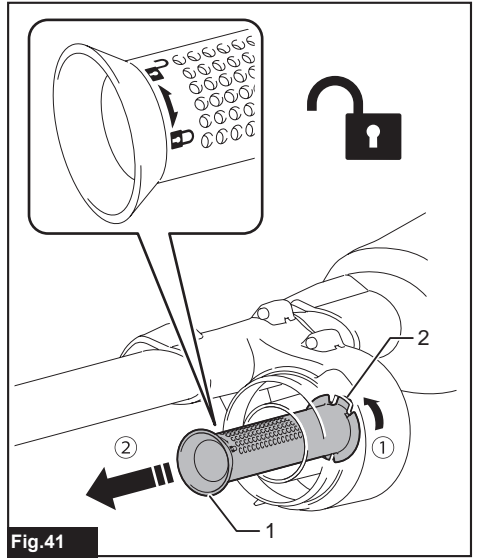
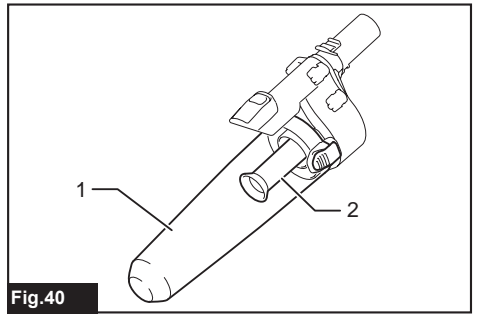
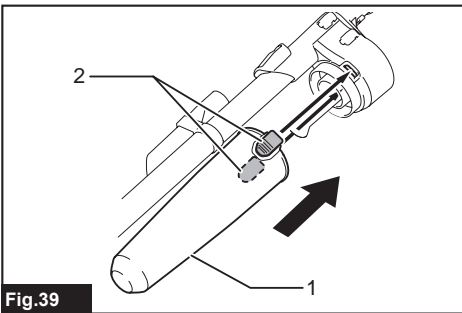
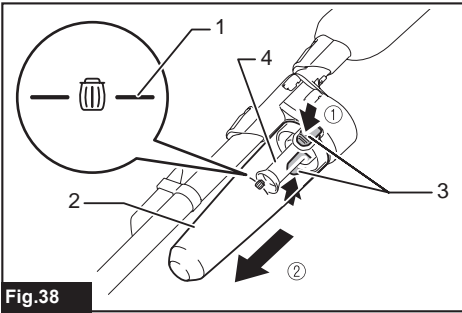
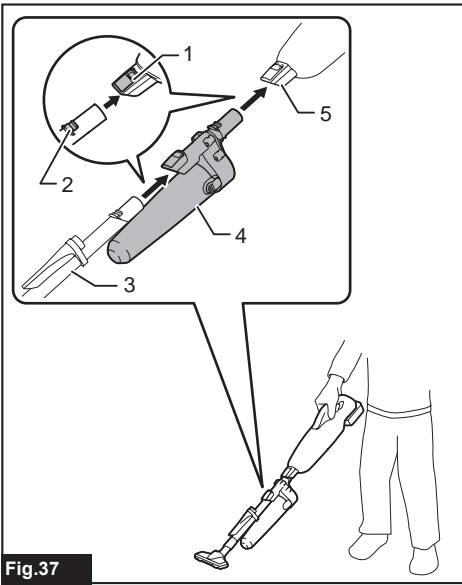


Fig.36



WARNING

- This appliance can be used by children aged from 8 years and above and persons with reduced physical, sensory or mental capabilities or lack of experience and knowledge if they have been given supervision or instruction concerning use of the appliance in a safe way and understand the hazards involved.
- Children shall not play with the appliance. Cleaning and user maintenance shall not be made by children without supervision.
- See the chapter "SPECIFICATIONS" for the type reference of the battery.
- See the section "Installing or removing battery cartridge" for how to remove or install the battery.
- When disposing the battery cartridge, remove it from the tool and dispose of it in a safe place. Follow your local regulations relating to disposal of battery.
- If the tool is not used for a long period of time, the battery must be removed from the tool.
- Do not short the battery cartridge.
- See the chapter "MAINTENANCE" for the appropriate details of precautions during user maintenance.

SPECIFICATIONS

Model:	DCL283F
Capacity	730 mL
Continuous use (with battery BL1830B)	Approx. 10 min
Overall length (with pipe, nozzle, and battery BL1830B)	1,066 mm
Rated voltage	D.C. 18 V
Net weight	1.3 - 1.7 kg

- Due to our continuing program of research and development, the specifications herein are subject to change without notice.
- Specifications may differ from country to country.
- The weight does not include accessories but battery cartridge(s). The lightest and heaviest combination weight of the appliance and battery cartridge(s) are shown in the table.

Applicable battery cartridge and charger

Battery cartridge	BL1815N / BL1820B / BL1830B / BL1840B / BL1850B / BL1860B
Charger	DC18RC / DC18RD / DC18RE / DC18SD / DC18SE / DC18SF / DC18SH / DC18WC

- Some of the battery cartridges and chargers listed above may not be available depending on your region of residence.

⚠ WARNING: Only use the battery cartridges and chargers listed above. Use of any other battery cartridges and chargers may cause injury and/or fire.

Symbols

The followings show the symbols which may be used for the equipment. Be sure that you understand their meaning before use.



Read the instruction manual.



A representative battery applicable to this product.



Ni-MH
Li-Ion

Only for EU countries
Due to the presence of hazardous components in the equipment, waste electrical and electronic equipment, accumulators and batteries may have a negative impact on the environment and human health. Do not dispose of electrical and electronic appliances or batteries with household waste!
In accordance with the European Directive on waste electrical and electronic equipment and on accumulators and batteries and waste accumulators and batteries, as well as their adaptation to national law, waste electrical equipment, batteries and accumulators should be stored separately and delivered to a separate collection point for municipal waste, operating in accordance with the regulations on environmental protection.
This is indicated by the symbol of the crossed-out wheeled bin placed on the equipment.

Intended use

The tool is intended for collecting dry dust.

SAFETY WARNINGS

Cordless cleaner safety warnings

⚠ WARNING: IMPORTANT! READ CAREFULLY all safety warnings and all instructions BEFORE USE. Failure to follow the warnings and instructions may result in electric shock, fire and/or serious injury.

1. Do not expose to rain. Store indoors.
2. Do not allow to be used as a toy. Close attention is necessary when used by or near children.
3. Use only as described in this manual. Use only manufacturer's recommended attachments.
4. Do not use with damaged battery. If appliance is not working as it should, has been dropped, damaged, left outdoors, or dropped into water, return it to a service center.
5. Do not handle appliance with wet hands.
6. Do not put any object into openings. Do not use with any opening blocked; keep free of dust, lint, hair, and anything that may reduce air flow.
7. Keep hair, loose clothing, fingers, and all parts of body away from openings and moving parts.

8. Turn off all controls before removing the battery.
9. Use extra care when cleaning on stairs.
10. Do not use to pick up flammable or combustible liquids, such as gasoline, or use in areas where they may be present.
11. Use only the charger supplied by the manufacturer to recharge.
12. Do not pick up anything that is burning or smoking, such as cigarettes, matches, or hot ashes.
13. Do not use without dust bag and/or filters in place.
14. Do not charge the battery outdoors.
15. Recharge only with the charger specified by the manufacturer. A charger that is suitable for one type of battery pack may create a risk of fire when used with another battery pack.
16. Use appliances only with specifically designed battery packs. Use of any other battery packs may create a risk of injury and fire.
17. When (the) battery pack is not in use, keep it away from other metal objects, like paper clips, coins, keys, nails, screws or other small metal objects, that can make a connection from one terminal to another.
18. Under abusive conditions, liquid may be ejected from the battery; avoid contact. If contact accidentally occurs, flush with water.
19. Do not use a battery pack or appliance that is damaged or modified. Damaged or modified batteries may exhibit unpredictable behaviour resulting in fire, explosion or risk of injury.
20. Do not expose a battery pack or appliance to fire or excessive temperature. Exposure to fire or temperature above 130 °C may cause explosion.
21. Follow all charging instructions and do not charge the battery pack or appliance outside the temperature range specified in the instructions. Charging improperly or at temperatures outside the specified range may damage the battery and increase the risk of fire.

SAVE THESE INSTRUCTIONS.

ADDITIONAL SAFETY RULES

This appliance is intended for household use.

1. Read this instruction manual and the charger instruction manual carefully before use.
2. Do not pick up the following materials:
 - Hot substances that are burning or smoking (cigarettes, matches, incense sticks, candles, hot ashes), sparks and metal dust generated by cutting or grinding metal, etc.
 - Flammable liquid (kerosene, gasoline, solvents such as benzine, thinner, etc.)
 - Flammable material (toner, paint, spray, etc.)
 - Explosive or pyrophoric substances (nitroglycerin, aluminum, magnesium, titanium, zinc, red phosphorus, yellow phosphorus, celluloid, etc. and their dust, gas or steam)

- Liquid, oil, wet dirt or damp garbage, including vomit and excreta
- Hard pieces with sharp edges (wood chips, metals, stones, glasses, nails, pins, razors or cutlery)
- Solidifying and conductive fine powder (metal or carbon powder)
- Foam like carpet cleaning agent, etc. (they may cause explosion or fire)
- Large amount of powder (flour, fire extinguisher powder, etc.)
- Substances that cause toxic symptoms
- Aggressive chemicals (acid, alkali, etc.)
- Fine binding powder such as cement
- Fine particle like concrete dust
- Desiccants
- Asbestos
- Pesticides

Such action may cause fire, injury and/or property damage.

To reduce your exposure to these chemicals, always wear approved respiratory protection such as dust masks that are specially designed to filter out microscopic particles. Direct the exhaust air away from your face and body.

3. **Stop operation immediately if you notice anything abnormal.**
4. **If you drop or strike the cleaner, check it carefully for cracks or damage before operation.**
5. **Do not bring close to stoves or other heat sources.**
6. **Do not block the intake hole or vent holes.**

SAVE THESE INSTRUCTIONS.

Important safety instructions for battery cartridge

1. **Before using battery cartridge, read all instructions and cautionary markings on (1) battery charger, (2) battery, and (3) product using battery.**
2. **Do not disassemble or tamper with the battery cartridge.** It may result in a fire, excessive heat, or explosion.
3. **If operating time has become excessively shorter, stop operating immediately.** It may result in a risk of overheating, possible burns and even an explosion.
4. **If electrolyte gets into your eyes, rinse them out with clear water and seek medical attention right away.** It may result in loss of your eyesight.
5. **Do not short the battery cartridge:**
 - (1) **Do not touch the terminals with any conductive material.**
 - (2) **Avoid storing battery cartridge in a container with other metal objects such as nails, coins, etc.**
 - (3) **Do not expose battery cartridge to water or rain.**

A battery short can cause a large current flow, overheating, possible burns and even a breakdown.

6. **Do not store and use the tool and battery cartridge in locations where the temperature may reach or exceed 50 °C (122 °F).**
7. **Do not incinerate the battery cartridge even if it is severely damaged or is completely worn out.** The battery cartridge can explode in a fire.
8. **Do not nail, cut, crush, throw, drop the battery cartridge, or hit against a hard object to the battery cartridge.** Such conduct may result in a fire, excessive heat, or explosion.
9. **Do not use a damaged battery.**
10. **The contained lithium-ion batteries are subject to the Dangerous Goods Legislation requirements.**
For commercial transports e.g. by third parties, forwarding agents, special requirement on packaging and labeling must be observed.
For preparation of the item being shipped, consulting an expert for hazardous material is required. Please also observe possibly more detailed national regulations.
Tape or mask off open contacts and pack up the battery in such a manner that it cannot move around in the packaging.
11. **When disposing of the battery cartridge, remove it from the tool and dispose of it in a safe place. Follow your local regulations relating to disposal of battery.**
12. **Use the batteries only with the products specified by Makita.** Installing the batteries to non-compliant products may result in a fire, excessive heat, explosion, or leak of electrolyte.
13. **If the tool is not used for a long period of time, the battery must be removed from the tool.**
14. **During and after use, the battery cartridge may take on heat which can cause burns or low temperature burns. Pay attention to the handling of hot battery cartridges.**
15. **Do not touch the terminal of the tool immediately after use as it may get hot enough to cause burns.**
16. **Do not allow chips, dust, or soil stuck into the terminals, holes, and grooves of the battery cartridge.** It may cause heating, catching fire, burst and malfunction of the tool or battery cartridge, resulting in burns or personal injury.
17. **Unless the tool supports the use near high-voltage electrical power lines, do not use the battery cartridge near high-voltage electrical power lines.** It may result in a malfunction or breakdown of the tool or battery cartridge.
18. **Keep the battery away from children.**

SAVE THESE INSTRUCTIONS.

⚠ CAUTION: Only use genuine Makita batteries. Use of non-genuine Makita batteries, or batteries that have been altered, may result in the battery bursting causing fires, personal injury and damage. It will also void the Makita warranty for the Makita tool and charger.

Tips for maintaining maximum battery life

1. Charge the battery cartridge before completely discharged. Always stop tool operation and charge the battery cartridge when you notice less tool power.
2. Never recharge a fully charged battery cartridge. Overcharging shortens the battery service life.
3. Charge the battery cartridge with room temperature at 10 °C - 40 °C (50 °F - 104 °F). Let a hot battery cartridge cool down before charging it.
4. When not using the battery cartridge, remove it from the tool or the charger.
5. Charge the battery cartridge if you do not use it for a long period (more than six months).

FUNCTIONAL DESCRIPTION

CAUTION: Always be sure that the tool is switched off and the battery cartridge is removed before adjusting or checking function on the tool.

CAUTION: Take care not to trap finger(s) between cleaner and battery as shown in diagram when loading battery. Trapping finger(s) may cause injury.

► Fig.1

Installing or removing battery cartridge

CAUTION: Always switch off the tool before installing or removing of the battery cartridge.

CAUTION: Hold the tool and the battery cartridge firmly when installing or removing battery cartridge. Failure to hold the tool and the battery cartridge firmly may cause them to slip off your hands and result in damage to the tool and battery cartridge and a personal injury.

To remove the battery cartridge, slide it from the tool while sliding the button on the front of the cartridge.

► Fig.2: 1. Red indicator 2. Button 3. Battery cartridge

To install the battery cartridge, align the tongue on the battery cartridge with the groove in the housing and slip it into place. Insert it all the way until it locks in place with a little click. If you can see the red indicator as shown in the figure, it is not locked completely.

CAUTION: Always install the battery cartridge fully until the red indicator cannot be seen. If not, it may accidentally fall out of the tool, causing injury to you or someone around you.

CAUTION: Do not install the battery cartridge forcibly. If the cartridge does not slide in easily, it is not being inserted correctly.

Tool / battery protection system

The tool is equipped with tool/battery protection system. This system automatically cuts off power to the motor to extend tool and battery life. The tool will automatically stop during operation if the tool or battery is placed under one of the following conditions.

Overloaded:

The tool/battery is operated in a manner that causes it to draw an abnormally high current.

In this situation, turn the tool off and stop the application that caused the tool to become overloaded. Then turn the tool on to restart.

Overheated:

The tool/battery is overheated. In this situation, let the tool/battery cool before turning the tool on again.

Low battery voltage:

The remaining battery capacity is too low and the tool will not operate. In this situation, remove and recharge the battery.

Protections against other causes:

Protection system is also designed for other causes that could damage the tool and allows the tool to stop automatically. Take all the following steps to clear the causes, when the tool has been brought to a temporary halt or stop in operation.

1. Turn the tool off, and then turn it on again to restart.
2. Charge the battery(ies) or replace it/them with recharged battery(ies).
3. Let the tool and battery(ies) cool down.

If no improvement can be found by restoring protection system, then contact your local Makita Service Center.

Indicating the remaining battery capacity

Only for battery cartridges with the indicator

► Fig.3: 1. Indicator lamps 2. Check button

Press the check button on the battery cartridge to indicate the remaining battery capacity. The indicator lamps light up for a few seconds.

Indicator lamps			Remaining capacity
Lighted	Off	Blinking	
■ ■ ■ ■	□ □ □ □	◐	75% to 100%
■ ■ ■ □	□ □ □ □	◐	50% to 75%
■ ■ □ □	□ □ □ □	◐	25% to 50%
■ □ □ □	□ □ □ □	◐	0% to 25%
◐ □ □ □	□ □ □ □	◐	Charge the battery.
■ ■ □ □	□ □ □ □	◐	The battery may have malfunctioned.
□ □ ■ ■	□ □ □ □	◐	

NOTE: Depending on the conditions of use and the ambient temperature, the indication may differ slightly from the actual capacity.

NOTE: The first (far left) indicator lamp will blink when the battery protection system works.

Switch action

CAUTION: Before installing the battery cartridge into the tool, set the slide switch to "O" side and check that the switch trigger actuates properly and returns to the "OFF" position when released.

When the slide switch is set to "O" side:

To start the tool, simply pull the switch trigger. Release the switch trigger to stop.

► **Fig.4:** 1. Slide switch 2. Switch trigger

When the slide switch is set to "I" side:

While the slide switch is set to "I" side, the switch trigger is pulled automatically and the cleaner continues actuating. To stop the cleaner, set the slide switch to "O" side and release the switch trigger.

► **Fig.5:** 1. Slide switch 2. Switch trigger

Lighting up the lamp

CAUTION: Do not look in the light or see the source of light directly.

To turn on the lamp, either squeeze the switch trigger or set the slide switch in the "I" position.

While the cleaner is running, the lamp turns on.

The lamp goes out immediately after you stop operation.

NOTE: When the remaining battery capacity gets low, the lamp starts blinking. The timing, at which the lamp starts blinking depends on the temperature at work place and the battery cartridge conditions.

► **Fig.6:** 1. Lamp 2. Slide switch 3. Switch trigger

ASSEMBLY

CAUTION: Always be sure that the tool is switched off and the battery cartridge is removed before carrying out any work on the tool.

Parts description

Optional accessory

High performance filter and stay and sponge filter

► **Fig.7:** 1. Capsule 2. High performance filter 3. Stay 4. Sponge filter

Prefilter or high performance filter and HEPA filter

► **Fig.8:** 1. Capsule 2. Prefilter 3. High performance filter 4. HEPA filter

NOTICE: Do not underlay the high performance filter with an optional filter (non-woven cloth). The filters could not be removed from the cleaner.

NOTE: Do not install an optional filter (non-woven cloth) between the HEPA filter and prefilter. The suction power may be reduced.

NOTE: Always use the high performance filter that is framed with an originally-designed stay when overlaying it on the HEPA filter.

► **Fig.9:** 1. High performance filter 2. Stay (designed for high performance filter)

Disposing of dust

CAUTION: Empty the cleaner before it becomes too full, or the suction force weakens.

CAUTION: Be sure to empty the inside of the cleaner itself of dust. Failure to do so may cause the filter to be clogged or the motor to be damaged.

In order to drop dust sticking on the filter in the capsule, tap the capsule 4 or 5 times with your hand.

► **Fig.10:** 1. Capsule

Point suction inlet downwards, turn capsule in direction of arrow in diagram, and disconnect capsule slowly and straight.

► **Fig.11:** 1. Capsule 2. Suction inlet

NOTE: Dust may spill out when capsule is opened, so be sure to set a garbage bag beneath capsule.

Remove accumulated dust from the inside of capsule and high performance filter.

► **Fig.12:** 1. Capsule 2. High performance filter

Twist high performance filter in direction of arrow to unfasten securing lip from cleaner unit and then pull off the filter.

► **Fig.13:** 1. Securing lip

NOTE: When using the prefilter, also follow the procedure above.

Clean out the fine dust and lightly tap to dislodge dust from high performance filter.

Reassembly

Connect high performance filter. At this time, make sure to twist high performance filter so that securing lip is firmly locked into the cleaner unit.

► **Fig.14:** 1. High performance filter

► **Fig.15:** 1. Securing lip

NOTICE: Always be sure to check that high performance filter is loaded correctly prior to using cleaner. If it is not loaded correctly, dust will get into the motor housing, and cause motor failure.

If the problem as described later occurs, high performance filter is not loaded correctly. Reload it correctly to rectify problem.

Attach the capsule. Align the mark on capsule with the mark on the handle and then firmly twist capsule in the direction of arrow until it is secured.

► **Fig.16:** 1. Mark 2. Handle 3. Capsule

NOTE: Always remove dust ahead of time, as suction power will be reduced if there is too much dust in cleaner.

Problem Example

The securing lip of high performance filter is not firmly locked into groove of cleaner housing.

► **Fig.17:** 1. Securing lip 2. Groove of cleaner housing

Installing or removing stay / HEPA filter

Optional accessory

For the stay and sponge filter

To remove the stay, push up the bottom part of pillars of the stay with your fingers and release its groove from the protrusion on the cleaner. After that, remove the sponge filter.

► **Fig.18:** 1. Stay 2. Sponge filter

To install, align the grooves on the stay with the protrusion on the cleaner and push until it clicks.

Insert the sponge filter between the pillars and set it in the original position.

For the HEPA filter

When installing the HEPA filter, fit the groove of the HEPA filter with the protrusion on the cleaner. Then, put the prefilter or the high performance filter on the HEPA filter and twist it to secure. To remove, follow the installation procedure in reverse.

► **Fig.19:** 1. HEPA filter 2. Prefilter

► **Fig.20:** 1. HEPA filter 2. High performance filter

OPERATION

CAUTION: Do not move your face close to the air vent when operating the cleaner. If foreign objects are blown into eyes, it may result in personal injury.

Installing and removing cleaner attachments

CAUTION: After installing attachments, check if they are securely installed. If the attachments are installed imperfectly, they may come off and cause personal injury.

CAUTION: Be careful not to hit your hand on the wall etc. when removing the attachments.

When using attachment with lock function

To install attachment, insert it to the suction inlet of the cleaner until it clicks. Make sure that the attachment is locked.

► **Fig.21:** 1. Suction inlet 2. Attachment with lock function 3. Hook 4. Release button

NOTICE: When installing the attachment with lock function, be sure to align the release button on the cleaner with the hook on the attachment. If they are not aligned, the attachment will not be locked and may come off from the cleaner.

To remove, pull the attachment while pushing the release button.

► **Fig.22:** 1. Release button 2. Attachment with lock function

When using attachment without lock function

CAUTION: To connect attachment without lock function, twist and insert it in direction of the arrow to secure the connection during use. To disconnect the attachment, twist and extract it also in direction of the arrow. If the attachment is twisted in the opposite direction, the capsule may become loose.

► **Fig.23**

Cleaning (Suction)

Nozzle

Attach the nozzle to clean off tables, desks, furniture, etc. The nozzle slips on easily.

► **Fig.24:** 1. Nozzle

Nozzle + Extension wand (Straight pipe)

The extension wand fits in between the nozzle and the cleaner itself. This arrangement is convenient for cleaning a floor in a standing position.

► **Fig.25:** 1. Cleaner body 2. Extension wand (Straight pipe) 3. Nozzle

Sash nozzle

Fit on the sash nozzle for cleaning corners and crevices of a car or furniture.

► **Fig.26:** 1. Sash nozzle 2. Cleaner body

You can store the sash nozzle in the nozzle holder.

► **Fig.27:** 1. Nozzle holder 2. Sash nozzle

CAUTION: Be careful not to trap finger(s) between the sash nozzle and the nozzle holder. Trapping finger(s) may cause injury.

Sash nozzle + Extension wand (Straight pipe)

In tight quarters where the cleaner itself cannot squeeze in, or in high places hard to reach, use this arrangement.

► **Fig.28:** 1. Sash nozzle 2. Extension wand (Straight pipe) 3. Cleaner body

Cleaning without nozzle

You can pick up powder and dust without nozzle.

► **Fig.29**

For picking up dust on a floor in a standing position, it is convenient to attach the extension wand to the cleaner.

► **Fig.30:** 1. Extension wand (Straight pipe)

MAINTENANCE

⚠ CAUTION: Always be sure that the tool is switched off and the battery cartridge is removed before attempting to perform inspection or maintenance.

To maintain product SAFETY and RELIABILITY, repairs, any other maintenance or adjustment should be performed by Makita Authorized or Factory Service Centers, always using Makita replacement parts.

After use

⚠ CAUTION: Putting the cleaner against the wall without any other support may cause the cleaner to fall down, resulting in personal injury or damage to the cleaner.

► Fig.31

Cleaning

⚠ CAUTION: Clean filters when they become clogged. Continuing use in the clogged condition may result in heating or fire.

NOTICE: Never use gasoline, benzine, thinner, alcohol or the like. Discoloration, deformation or cracks may result.

NOTICE: Do not blow dust sticking on the cleaner and filters by air duster. It brings dust into the housing and causes failure.

NOTICE: After washing filters, dry them thoroughly before use. Insufficiently dried filters may cause poor suction and shorten the service life of the motor.

NOTICE: After cleaning filters and sponge filter, be sure to re-install them before use. If you use the cleaner without filters and sponge filter, dust comes into the motor housing and cause malfunction.

Cleaner body

From time to time wipe off the outside (cleaner body) of the cleaner using a cloth dampened in soapy water. Clean out also the suction opening and filter mounting area.

► Fig.32

High performance filter

Wash the filter in soapy water when it is clogged with dust and the cleaner power becomes weak. Dry it out thoroughly before use.

► Fig.33

HEPA filter

Optional accessory

NOTICE: Do not rub or scratch the HEPA filter with hard objects such as a brush and a paddle.

Clogged HEPA filter causes poor suction performance. Clean out the filter from time to time.

Occasionally wash the HEPA filter in water, rinse and dry thoroughly in the shade before use. Never wash the filter in a washing machine.

► Fig.34

Sponge filter

When the sponge filter becomes dirty, clean it as follows.

1. Remove filters that cover the stay.
2. Pull out the sponge filter from between the pillars.
3. Clean the sponge filter by tapping or washing. If you wash it, dry it out thoroughly before use.
4. Insert the sponge filter between the pillars and set it in the original position. Make sure that each bottom edge of the pillar holds down the sponge filter, and there is no gap between the sponge filter and suction opening.

► Fig.35: 1. Sponge filter 2. Bottom edge of pillar

Wall mount for cordless cleaner

Optional accessory

NOTE: The screw to mount the holder is not included. Prepare a screw which fits with the material to screw into.

Attach the wall mount for cordless cleaner to a hard wooden wall, beam or column, where the wall mount for cordless cleaner can be firmly secured. Always be sure that the wall mount for cordless cleaner is securely attached before hanging the cleaner.

► Fig.36: 1. Wall mount for cordless cleaner

⚠ CAUTION: Do not hang the cleaner to the wall mount violently or hang other appliances than the cleaner.

Troubleshooting

Before asking for repairs, check the following points.

Symptom	Area to be investigated	Fixing method
Weak suction power	Is the capsule full of dust?	Empty the capsule of dust.
	Is the filter clogged?	Clean or wash the filter.
	Is the battery cartridge discharged?	Charge the battery cartridge.
Not working	Is the battery cartridge discharged?	Charge the battery cartridge.
Noise and vibration	Is the filter clogged?	Clean or wash the filter.
	Is the nozzle, pipe or suction inlet of the appliance is clogged?	Remove the clogged objects in the nozzle, pipe or suction inlet of the appliance.
	Is the nozzle/pipe inlet blocked?	Do not block the nozzle/pipe inlet.

⚠ CAUTION: Do not attempt to repair the cleaner by yourself.

OPTIONAL ACCESSORIES

⚠ CAUTION: These accessories or attachments are recommended for use with your Makita tool specified in this manual. The use of any other accessories or attachments might present a risk of injury to persons. Only use accessory or attachment for its stated purpose.

If you need any assistance for more details regarding these accessories, ask your local Makita Service Center.

- Extension wand (Straight pipe)
- Nozzle
- Nozzle for carpet
- Shelf brush
- Sash nozzle
- Round brush
- Flexible hose
- Filter (non-woven cloth)
- Prefilter
- High performance filter
- HEPA filter
- Seat nozzle
- Crevice nozzle
- Wall mount for cordless cleaner
- Cyclone unit
- Cyclone attachment
- Tool bag
- Makita genuine battery and charger

NOTE: Some items in the list may be included in the tool package as standard accessories. They may differ from country to country.

Cyclone attachment

Optional accessory

- **Fig.37:** 1. Release button 2. Hook 3. Extension wand (Straight pipe) 4. Cyclone attachment 5. Suction inlet

About the cyclone attachment

Using the cleaner with the cyclone attachment installed reduces the amount of dust that enters the capsule, which helps to prevent the suction force from weakening. In addition, cleaning after use is also simple.

⚠ CAUTION: Always be sure that the tool is switched off and the battery cartridge is removed before carrying out any work on the tool. If the battery cartridge is left inserted, the cleaner may start unexpectedly and result in injury.

⚠ CAUTION: Clean the mesh filter of the cyclone attachment and the filters of the cleaner unit when they become clogged. Continuing use in the clogged condition may result in heating or smoke.

NOTICE: When the cyclone attachment is attached, do not use the cleaner in a horizontal or upward facing position. Doing so may cause the mesh filter to become clogged.

NOTICE: Always use the cleaner with the filters installed, even when using the cyclone attachment. Using the cleaner without the filters installed may result in a motor malfunction.

NOTE: Check that the cyclone attachment, cleaner, and extension wand (straight pipe) are locked properly before use.

NOTE: Empty the dust case of the cyclone attachment and the capsule of the cleaner when dust has accumulated. Continuing use will result in weakened suction force.

NOTE: You can also use the cyclone attachment without lock function.

NOTE: To install or remove the cyclone attachment, refer to the section "Installing and removing cleaner attachments".

Disposing of dust

When dust has accumulated up to the full line of the dust case, follow the procedure below and dispose of the dust.

1. Hold the dust case firmly, press and hold the two buttons, and remove the dust case.

► **Fig.38:** 1. Full line 2. Dust case 3. Button (two locations) 4. Mesh filter

2. Dispose of the dust inside the dust case and remove any dust and powder adhered to the surface of the mesh filter.

3. Insert the dust case all the way until the two buttons lock with a click.

► **Fig.39:** 1. Dust case 2. Button (two locations)

⚠ CAUTION: When reassembling the dust case, be careful not to pinch your fingers.

NOTE: Check that the cyclone attachment, cleaner, and extension wand (straight pipe) are locked properly before restarting operation.

NOTE: If the suction force does not recover even after disposing of the dust and cleaning the mesh filter, check whether dust has accumulated in the capsule of the cleaner or clogging has occurred.

NOTE: The dust may fly up when disposing from the cyclone attachment. Be careful not to let dust get into your eyes.

Cleaning

⚠ CAUTION: After washing the cyclone attachment, dry it thoroughly before use. Insufficiently dried components may cause an electrical shock or damage to the appliance.

When the dust case becomes dirty or the mesh filter is clogged, remove and wash them with water. (Refer to "Disposing of dust" for the removal procedure.)

Dry the parts thoroughly before reinstallation and use.

► **Fig.40:** 1. Dust case 2. Mesh filter

When the mesh filter gets dirty badly, clean it in the following procedures.

1. Turn the mesh filter in the direction of the arrow and remove it while the hooks are unlocked.

► **Fig.41:** 1. Mesh filter 2. Hook

2. Remove the dust on the mesh filter and then wash it with water. After that, dry it thoroughly.

3. Insert the mesh filter into the base while the hooks are aligned with the port. Turn the mesh filter in the direction of the arrow until the hooks are locked with a click. Make sure that the mesh filter is installed securely.

► **Fig.42:** 1. Mesh filter 2. Hook 3. Port

OPOZORILO

- To napravo lahko na varen način, če razumejo vključena tveganja, uporabljajo otroci, stari 8 let in več ter osebe z zmanjšanimi fizičnimi, čutilnimi ali psihičnimi sposobnostmi ter s pomanjkanjem izkušeni in znanja, če so pod ustreznim nadzorom ali so prejeli navodila v zvezi z uporabo naprave.
- Otroci se z napravo ne smejo igrati. Otroci brez nadzora ne smejo izvajati čiščenja in uporabniškega vzdrževanja.
- Glejte poglavje „TEHNIČNI PODATKI“ za vrsto baterije.
- Za navodila o nameščanju ali odstranjevanju baterije glejte razdelek „Nameščanje ali odstranjevanje akumulatorske baterije“.
- Ko želite akumulatorsko baterijo zavreči, jo vzemite iz orodja in odložite med odpadke na varno mesto. Upoštevajte lokalne uredbe glede odlaganja baterije.
- Če orodja ne boste uporabljali dalj časa, morate odstraniti baterijo.
- Ne povzročite kratkega stika akumulatorske baterije.
- Za primerne podrobnosti o previdnostnih ukrepih med vzdrževanjem glejte poglavje „VZDRŽEVANJE“.

TEHNIČNI PODATKI

Model:	DCL283F
Zmogljivost	730 mL
Neprekinjena uporaba (z akumulatorjem BL1830B)	Pribl. 10 min
Celotna dolžina (s cevjo, šobo in baterijo BL1830B)	1.066 mm
Nazivna napetost	D.C. 18 V
Neto teža	1,3 – 1,7 kg

- Ker nenehno opravljamo raziskave in razvijamo svoje izdelke, se lahko tehnični podatki v tem dokumentu spremenijo brez obvestila.
- Tehnični podatki se lahko razlikujejo od države do države.
- Teža ne vključuje pripomočkov, vključuje pa akumulatorske baterije. Najlažja in najtežja kombinacija teže naprave in akumulatorskih baterij sta prikazani v tabeli.

Uporabna akumulatorska baterija in polnilnik

Baterijski vložek	BL1815N / BL1820B / BL1830B / BL1840B / BL1850B / BL1860B
Polnilnik	DC18RC / DC18RD / DC18RE / DC18SD / DC18SE / DC18SF / DC18SH / DC18WC

- Nekatere zgoraj navedene akumulatorske baterije in polnilniki morda v vaši državi prebivališča niso na voljo.

⚠ OPOZORILO: Uporabljajte le zgoraj navedene akumulatorske baterije in polnilnike. Uporaba drugih akumulatorskih baterij in polnilnikov lahko povzroči telesne poškodbe in/ali požar.

Simboli

Naslednji simboli se lahko uporabljajo v povezavi s strojem. Pred uporabo izdelka se obvezno seznanite z njihovim pomenom.



Preberite navodila za uporabo.



Vzorec baterije, ki se uporablja za ta izdelek.



Samo za države EU
Zaradi prisotnosti nevarnih komponent v opremi imajo lahko uporabljena električna in elektronska oprema, akumulatorji in baterije negativen vpliv na okolje in zdravje ljudi.
Električnih in elektronskih naprav ali baterij ne odlagajte med gospodinjske odpadke!
Skladno z evropsko Direktivo o odpadni električni in elektronski opremi, o akumulatorjih in baterijah ter njeno uporabo v državnih zakonih morate rabljeno električno in elektronsko opremo, baterije in akumulatorje zbirati ločeno ter dostaviti na posebno zbiralno mesto za komunalne odpadke, ki deluje skladno s predpisi za zaščito okolja. To nakazuje simbol prečrtanega smetnjaka s kolesi, ki je natisnjen na opremi.

Predvidena uporaba

Orodje je namenjeno za zbiranje suhega prahu.

VARNOSTNA OPOZORILA

Varnostna opozorila za brezžični čistilnik

⚠ OPOZORILO: POMEMBNO! POZORNO PREBERITE vsa varnostna opozorila in navodila pred uporabo. Zaradi neupoštevanja opozoril in navodil lahko pride do električnega šoka, požara in/ali hudih telesnih poškodb.

1. Ne izpostavljajte dežju. Hranite v notranjih prostorih.
2. Ne dovolite igranja z napravo. Potrebna je posebna pozornost, kadar napravo uporabljajo otroci ali se uporablja v njihovi bližini.
3. Uporabljajte le v skladu z opisi v tem priročniku. Uporabljajte le priključke, ki jih priporoča proizvajalec.
4. Ne uporabljajte naprave s poškodovanim akumulatorjem. Če naprava ne deluje, kot bi morala, je padla, je poškodovana, pozabljena na prostem ali je padla v vodo, jo odnesite v servis.
5. Ne rokujte z napravo z mokrimi rokami.
6. Ne vstavljajte predmetov v odprtine. Ne uporabljajte z zamašenimi odprtinami; odstranite prah, vlakna, lase in vse, kar bi lahko zmanjšalo pretok zraka.

7. Las, ohlapnih oblačil, prstov in nobenih delov telesa ne približujte odprtinam in premikajočim se delom.
8. Preden odstranite akumulator, izklopite vse upravljalne elemente.
9. Med čiščenjem na stopnicah bodite izjemno previdni.
10. Ne uporabljajte za pobiranje vnetljivih ali gorljivih tekočin, kot je bencin, in ne uporabljajte v območjih, kjer so lahko prisotne.
11. Za polnjenje uporabljajte samo polnilnik, ki ga dobavlja proizvajalec.
12. Ne pobirajte ničesar, kar gori ali iz česar se vije dim, kot so cigarete, vžigalice ali vroč pepel.
13. Ne uporabljajte brez vrečke za prah in/ali nameščenih filtrov.
14. Akumulatorja ne polnite na prostem.
15. Orodje polnite samo s polnilnikom, ki ga je določil proizvajalec. Polnilnik, ki je primeren za eno vrsto akumulatorskega sklopa, lahko pomeni nevarnost požara, če ga uporabljate z drugim akumulatorskim sklopom.
16. Naprave uporabljajte samo s predpisano vrsto akumulatorskih sklopov. Pri uporabi drugih akumulatorskih sklopov lahko pride do telesnih poškodb od požara.
17. Ko akumulatorskega sklopa ne uporabljate, ga ne hranite ob kovinskih predmetih, kot so sponke za papir, kovanci, ključi, žebliji, vijaki ali drugi manjši kovinski predmeti, ki lahko povežejo oba terminala.
18. V neprimernih pogojih lahko iz akumulatorja uhaja tekočina; izogibajte se stiku. Če pride do nenamerne stika, sperite z vodo.
19. Ne uporabljajte akumulatorskega sklopa ali naprave, ki je poškodovana ali spremenjena. Delovanje poškodovanih ali spremenjenih baterij je nepredvidljivo in lahko povzroči požar, eksplozijo ali telesne poškodbe.
20. Akumulatorskega sklopa oziroma naprave ne izpostavljajte ognju ali previsoki temperaturi. Izpostavljenost ognju ali temperaturam nad 130 °C lahko povzroči eksplozijo.
21. Upošteвайте vsa navodila glede polnjenja in akumulatorskega sklopa oziroma naprave ne polnite zunaj določenega temperaturnega razpona. Nepravilno polnjenje ali polnjenje pri temperaturah zunaj določenega razpona lahko povzroči poškodbe baterije in poveča nevarnost požara.

SHRANITE TA NAVODILA.

DODATNA VARNOSTNA PRAVILA

Ta naprava je namenjena le za domačo uporabo.

1. Pred uporabo pazno preberite ta navodila za uporabo in navodila za uporabo polnilnika.
2. Ne pobirajte naslednjih materialov:
 - Vroče snovi, ki gorijo ali se iz njih kadi (cigarete, vžigalice, dišeče palčke, sveče, vroč pepel), iskre in kovinski prah, ki nastane med rezanjem ali brušenjem kovine, itd.

- Vnetljive tekočine (kerozin, bencin, topila, kot so benzen, razredčila itd.)
 - Vnetljivi materiali (toner, barva, pršilo itd.)
 - Eksplozivne ali piroforne snovi (nitroglicerini, aluminij, magnezij, titan, cink, rdeči fosfor, rumeni fosfor, celuloz itd. ali njihov prah, plin ali para)
 - Tekočine, olje, mokra zemlja ali vlažne smeti, vključno z izbljuvki in iztrebki
 - Trdi predmeti z ostrimi robovi (lesni ostružki, kovine, kamni, steklo, žebelji, bucike, britvice ali jedilni pribor)
 - Fini prah, ki se strjuje in je prevoden (kovinski ali ogljikov prah)
 - Snovi za čiščenje preprog v obliki pene itd. (lahko povzročijo eksplozijo ali požar)
 - Velike količine prahu (moka, prah gasilnega aparata itd.)
 - Snovi, ki povzročajo toksične znake
 - Agresivne kemikalije (kislina, alkalne snovi)
 - Fini vezivni prah, kot je cement
 - Fini delci, kot je betonski prah
 - Sušilna sredstva
 - Azbest
 - Pesticidi
- Takšna dejanja lahko povzročijo požar, telesne poškodbe in/ali materialno škodo.
- Za zmanjšanje izpostavljenosti tem kemikalijam vedno nosite odobreno zaščito dihal, kot so protiprašne maske, ki so posebej zasnovane za filtriranje mikroskopskih delcev. Izpušni zrak usmerite stran od obraza in telesa.
3. Če opazite karkoli neobičajnega, takoj prenehajte uporabljati orodje.
 4. Če vam čistilnik pade iz rok ali če z njim kam udarite, ga pred uporabo skrbno pregledajte, da preverite, ali je razpokan ali poškodovan.
 5. Ne približujte ga pečicam ali drugim virom vročine.
 6. Ne zamašite vhodne odprtine ali odprtin za prezračevanje.

SHRANITE TA NAVODILA.

Pomembna varnostna navodila za akumulatorsko baterijo

1. Pred uporabo baterijskega vložka preberite vsa navodila in opozorilne oznake na (1) polnilniku akumulatorja, (2) akumulatorju in (3) izdelku, ki uporablja akumulator.
 2. Ne razstavljajte ali spreminjajte akumulatorske baterije. S tem lahko povzročite požar, prekomerno vročino ali eksplozijo.
 3. Če se je čas delovanja občutno skrajšal, takoj prenehajte uporabljati orodje. V nasprotnem primeru lahko pride do pregretja, morebitnih opeklin in celo eksplozije.
 4. Če pride elektrolit v stik z očmi, jih sperite s čisto vodo in takoj poiščite zdravniško pomoč. Posledica je lahko izguba vida.
5. Ne povzročite kratkega stika baterijskega vložka:
 - (1) Ne dotikajte se priključkov s kakršnim koli prevodnim materialom.
 - (2) Izogibajte se shranjevanju baterijskega vložka v vsebniku z drugimi kovinskimi predmeti kot so žebelji, kovanci itn.
 - (3) Ne izpostavljajte baterijskega vložka vodi ali dežju.
 Kratak stik akumulatorja lahko povzroči velik električni tok, pregrevanje, morebitne opekline in celo okvaro.
 6. Ne shranjujte in uporabljajte orodja in akumulatorske baterije na mestih, kjer lahko temperatura doseže ali preseže 50 °C (122 °F).
 7. Ne sežigajte baterijskega vložka, tudi če je hudo poškodovan ali v celoti izprazen. Baterijski vložek lahko v ognju eksplodira.
 8. Ne pribijajte, režite, drobite, mečite, spuščajte akumulatorske baterije oziroma ne udarjajte z akumulatorsko baterijo po trdem predmetu. Takšno ravnanje lahko povzroči požar, prekomerno vročino ali eksplozijo.
 9. Ne uporabljajte poškodovanih akumulatorjev.
 10. Priložene litij-ionske baterije ustrezajo zahtevam zakonodaje v zvezi z nevarnim blagom. Za komercialne prevoze, npr. tiste, ki jih opravljajo tretje stranke in carinski posredniki, je treba upoštevati posebne zahteve v zvezi z embalažo in označevanjem. Med postopkom priprave na odpremo izdelka se je treba posvetovati s strokovnjakom za nevarne snovi. Pri tem upoštevajte tudi podrobnejše nacionalne predpise. Odprte stike oblepite z lepilnim trakom ali jih drugače zaščitite, baterijo pa zapakirajte tako, da se v embalaži ne more premikati.
 11. Ko odstranujete akumulatorsko baterijo, jo vzemite iz orodja in varno zavržite. Upoštevajte lokalne uredbe glede odlaganja baterije.
 12. Baterije uporabljajte le z izdelki, ki jih določa Makita. Če namestite baterije v neskladne izdelke, lahko pride do požara, pregrevanja, eksplozije ali puščanja elektrolita.
 13. Če orodja dlje časa ne uporabljate, morate iz njega odstraniti baterijo.
 14. Med uporabo in po uporabi lahko akumulatorska baterija postane vroča in povzroči opekline. Z vročimi akumulatorskimi baterijami ravnajte pazljivo.
 15. Ne dotikajte se priključka orodja takoj po uporabi, ker se lahko dovolj segreje, da povzroči opekline.
 16. Ne dovolite, da bi se v priključke, odprtine in utore akumulatorske baterije zleplili ostružki, prah ali zemlja. To lahko povzroči pregrevanje, požar, razpočenje in okvaro orodja ali akumulatorske baterije ter privede do opeklin ali drugih telesnih poškodb.
 17. Razen če orodje podpira uporabo v bližini visokonapetostnih električnih vodov, akumulatorske baterije ne uporabljajte v bližini visokonapetostnih električnih vodov. Takšna uporaba lahko povzroči motnje v delovanju ali okvaro orodja oziroma akumulatorske baterije.
 18. Baterijo hranite izven dosega otrok.

SHRANITE TA NAVODILA.

⚠️ POZOR: Uporabljajte le originalne baterije Makita. Če uporabljate neoriginalne baterije Makita ali baterije, ki so bile spremenjene, lahko pride do eksplozije baterije in posledično do požara, telesnih poškodb ali materialne škode. S takšno uporabo boste tudi razveljavili garancijo Makita za orodje in polnilnik Makita.

Nasveti za ohranjanje največje zmogljivosti akumulatorja

1. Napolnite baterijski vložek, preden se v celoti izprazni. Ko opazite, da ima orodje manjšo moč, vedno ustavite delovanje orodja in napolnite baterijski vložek.
2. Nikoli znova ne polnite popolnoma napolnjenega baterijskega vložka. Prenapolnjenje skrajša življenjsko dobo akumulatorja.
3. Baterijski vložek s sobno temperaturo polnite pri temperaturi okolja od 10 °C do 40 °C. Počakajte, da se vroč baterijski vložek pred polnjenjem ohladi.
4. Ko akumulatorske baterije ne uporabljate, jo odstranite iz orodja ali polnilnika.
5. Če baterijskega vložka ne uporabljate dalj časa (več kot 6 mesecev), ga napolnite.

OPIS DELOVANJA

⚠️ POZOR: Pred nastavljanjem ali preizkusom delovanja orodja se prepričajte, ali je orodje izključeno in ali je akumulatorska baterija odstranjena.

⚠️ POZOR: Pazite, da si med nameščanjem akumulatorja ne priprete prstov med čistilnik in akumulator, kot je prikazano na diagramu. Tako se lahko poškodujete.

► SI.1

Nameščanje ali odstranjevanje akumulatorske baterije

⚠️ POZOR: Vedno izklopite orodje, preden namestite ali odstranite akumulatorsko baterijo.

⚠️ POZOR: Kadar nameščate ali odstranjujete akumulatorsko baterijo, trdno držite orodje in akumulatorsko baterijo. Če orodja in akumulatorske baterije ne držite trdno, se lahko zgodi, da vam zdrsneta iz rok, posledica pa je lahko poškodba orodja in akumulatorske baterije ter telesna poškodba.

Če želite odstraniti akumulatorsko baterijo, jo potisnite iz orodja, pri tem pa pomikajte gumb na sprednji strani vložka.

► SI.2: 1. Rdeči indikator 2. Gumb 3. Baterijski vložek

Akumulatorsko baterijo vstavite tako, da poravnate jeziček na bateriji z utorom na ohišju in jo potisnete v ležišče. Potisnite jo do konca, da se zaskoči. Če vidite rdeči indikator, kot je prikazano na sliki, se akumulatorska baterija ni ustrezno zaskočila.

⚠️ POZOR: Vedno namestite akumulatorsko baterijo tako, da rdeči indikator ni več viden. Če tega ne upoštevate, lahko baterija nepričakovano pade iz orodja in poškoduje vas ali osebe v neposredni bližini.

⚠️ POZOR: Ne nameščajte akumulatorske baterije s silo. Če se akumulatorska baterija ne zaskoči zlahka, ni pravilno vstavljena.

Zaščitni sistem orodja/akumulatorja

Orodje je opremljeno z zaščitnim sistemom za orodje/akumulator. Sistem samodejno prekine napajanje orodja, da podaljša življenjsko dobo orodja in akumulatorja. Orodje se bo samodejno zaustavilo med delovanjem, če sta orodje ali akumulator zamenjana pod naslednjimi pogoji.

Preobremenjeno:

Orodje/baterija deluje na način, zaradi katerega prihaja do neobičajno visokega toka.

V tem primeru izklopite orodje in prenehajte izvajati delo, ki je povzročilo preobremenitev orodja. Nato vklopite orodje in ga znova zaženite.

Pregrevanje:

Orodje/baterija je pregreta. V tem primeru pustite, da se orodje/baterija ohladi, preden orodje znova vklopite.

Nizka napetost akumulatorja:

Napolnjenost akumulatorja je prenizka, zato orodje ne deluje. V tem primeru odstranite in napolnite akumulator.

Zaščita pred drugimi vzroki:

Sistem zaščite je zasnovan tudi za druge vzroke, ki bi lahko povzročili poškodbe orodja, in omogoča samodejno ustaviitev orodja. Kadar se orodje začasno ustavi ali preneha delovati, izvedite vse naslednje korake, da odpravite vzroke.

1. Izklopite orodje in ga nato vklopite, da ga znova zaženete.
2. Napolnite baterijo ali jo zamenjajte z napolnjeno baterijo (po potrebi ponovite postopek še za drugo baterijo).
3. Počakajte, da se orodje in baterija ohladita.















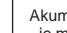

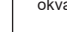
Če z obnovitvijo sistema zaščite ne odpravite težave, se obrnite na lokalni servisni center Makita.

Prikazuje preostalo raven napolnjenosti akumulatorja

Samo za akumulatorske baterije z indikatorjem

► SI.3: 1. Indikatorske lučke 2. Gumb za preverjanje

Pritisnite gumb za preverjanje na baterijskem vložku, da preverite raven napolnjenosti akumulatorja. Indikatorske lučke na kratko zasvetijo.

Indikatorske lučke			Prikaz preostale ravni napolnjenosti
 Sveti	 Ne sveti	 Utripa	
			od 75 % do 100 %
			od 50 % do 75 %
			od 25 % do 50 %
			od 0 % do 25 %
			Napolnite akumulator.
			Akumulator je morda okvarjen.
			

OPOMBA: Odvisno od pogojev uporabe in okoljske temperature se označba lahko nekoliko razlikuje od dejanske napolnjenosti.

OPOMBA: Prva opozorilna lučka (skrajno levo) bo utripala, ko sistem za zaščito akumulatorja deluje.

Delovanje stikala

⚠️ POZOR: Preden namestite akumulatorsko baterijo v orodje, premaknite drsno stikalo v položaj „O“ in preverite, ali sprožilec ustrezno deluje in se vrne v položaj „OFF“, ko ga spustite.

Ko je drsno stikalo v položaju „O“:

Za zagon orodja pritisnite sprožilno stikalo. Če želite ustaviti orodje, spustite sprožilno stikalo.

► **SI.4:** 1. Drsno stikalo 2. Sprožilno stikalo

Ko je drsno stikalo v položaju „I“:

Ko je drsno stikalo v položaju „I“, se sprožilec samodejno sproži, tako da čistilnik deluje neprekinjeno. Če želite zaustaviti čistilnik, premaknite drsno stikalo v položaj „O“ in spustite sprožilec.

► **SI.5:** 1. Drsno stikalo 2. Sprožilno stikalo

Priziganje lučke

⚠️ POZOR: Ne glejte neposredno v lučko ali vir svetlobe.

Če želite vklopiti lučko, pritisnite sprožilec ali potisnite drsno stikalo na položaj „I“.

Lučka se vklopi med delovanjem čistilnika.

Lučka se izklopi, takoj ko prenehate delovati.

OPOMBA: Ko zmogljivost akumulatorja pojenja, začne lučka utripati. Čas, v katerem začne lučka utripati, je odvisen od temperature na delovnem mestu in stanja akumulatorske baterije.

► **SI.6:** 1. Lučka 2. Drsno stikalo 3. Sprožilno stikalo

MONTAŽA

⚠️ POZOR: Pred vsako izvedbo dela na orodju se prepričajte, da je to izključeno in da je akumulatorska baterija odstranjena.

Opis delov

Dodatna oprema

Visokozmogljivostni filter ter omejilo in gobasti filter

► **SI.7:** 1. Kapsula 2. Visokozmogljivostni filter
3. Omejilo 4. Gobasti filter

Predfilter ali visokozmogljivostni filter in filter HEPA

► **SI.8:** 1. Kapsula 2. Prefilter 3. Visokozmogljivostni filter 4. Filter HEPA

OBVESTILO: Pod visokozmogljivostni filter ne nameščajte izbirnega filtra (netkane krpe). Filtrrov ni mogoče odstraniti iz čistilnika.

OPOMBA: Ne nameščajte izbirnega filtra (netkana krpa) med filter HEPA in prefilter. Lahko se zmanjša moč sesanja.

OPOMBA: Vedno uporabljajte visokozmogljivostni filter, ki je v okvirju izvorno oblikovanega omejila, ko ga postavite na filter HEPA.

► **SI.9:** 1. Visokozmogljivostni filter 2. Omejilo (oblikovano za visokozmogljivostni filter)

Odstranjevanje prahu

⚠️ POZOR: Izpraznite čistilnik, preden se preveč napolni, ali pa bo sesalna moč manjša.

⚠️ POZOR: Odstraniti morate tudi prah iz notranjosti čistilnika. Sicer lahko pride do zamašitve filtra ali poškodb motorja.

Če želite odstraniti prah s filtra v kapsuli, 4- ali 5-krat narahlo udarite z roko po kapsuli.

► **SI.10:** 1. Kapsula

Usmerite sesalni vhod navzdol, zavrtite kapsulo v smeri puščice na diagramu in s počasnim, ravnim potegom odklopite kapsulo.

► **SI.11:** 1. Kapsula 2. Sesalni vhod

OPOMBA: Ko kapsulo odprete, se lahko iz nje vsuje prah, zato pod kapsulo postavite vrečko za smeti.

Odstranite prah, ki se je nabral znotraj kapsule in visokozmogljivostnega filtra.

► **SI.12:** 1. Kapsula 2. Visokozmogljivostni filter

Obrnite visokozmogljivostni filter v smeri puščice, da sprostite pritrdilni jeziček s sesalne enote, nato pa snemite filter.

► **SI.13:** 1. Pritrdilni jeziček

OPOMBA: Zgoraj opisani postopek velja tudi za uporabo predfiltera.

Očistite fini prah in rahlo udarjajte, da odstranite prah z visokozmogljivostnega filtra.

Ponovno sestavljanje

Priključite visokozmogljivostni filter. V tem trenutku obrnite visokozmogljivostni filter, tako da se pritriljni jeziček trdno zaskoči na sesalno enoto.

► **SI.14:** 1. Visokozmogljivostni filter

► **SI.15:** 1. Pritrdilni jeziček

OBVESTILO: Pred uporabo čistilnika vedno preverite, ali je visokozmogljivostni filter pravilno nameščen. Če ni pravilno nameščen, lahko prah zaide v ohišje motorja in povzroči okvaro.

Če se pojavijo spodaj opisane težave, visokozmogljivostni filter ni pravilno nameščen. Pravilno ga namestite, da odpravite težavo.

Namestite kapsulo. Poravnajte oznako na kapsuli z oznako na ročaju, nato pa čvrsto zavrtite kapsulo v smeri puščice, da se zaskoči.

► **SI.16:** 1. Oznaka 2. Ročaj 3. Kapsula

OPOMBA: Vedno pravočasno odstranite prah, saj bo moč sesanja zmanjšana, če je v sesalniku preveč prahu.

Primeri težav

Pritrdilni jeziček visokozmogljivostnega filtra ni trdno nameščen v utor ohišja čistilnika.

► **SI.17:** 1. Pritrdilni jeziček 2. Utor ohišja sesalnika

Nameščanje ali odstranjevanje filtra HEPA

Dodatna oprema

Za omejilo in gobasti filter

Če želite odstraniti omejilo, s prsti potisnite spodnji del stebrov navzgor in sprostite utor iz izbokline čistilnika. Nato odstranite gobasti filter.

► **SI.18:** 1. Omejilo 2. Gobasti filter

Filter namestite tako, da poravnate uture na omejlju z izboklinami na čistilniku in filter potisnete, dokler se ne zaskoči.

Vstavite gobasti filter med stebre in ga postavite v izhodiščni položaj.

Za filter HEPA

Ko nameščate filter HEPA, poravnajte uture na filtru HEPA z izboklinami na čistilniku. Nato na filter HEPA namestite še predfilter ali visokozmogljivostni filter in ga zavrtite, da se zaskoči. Za odstranjevanje izvedite postopke namestitve v obratnem vrstnem redu.

► **SI.19:** 1. Filter HEPA 2. Predfilter

► **SI.20:** 1. Filter HEPA 2. Visokozmogljivostni filter

UPRAVLJANJE

⚠ POZOR: Ne približujte obraza zračniku med uporabo čistilnika. Tujki lahko povzročijo telesno poškodbo, če pri izpihanju zaidejo v oči.

Nameščanje in odstranjevanje nastavkov čistilnika

⚠ POZOR: Po namestitvi nastavkov preverite, ali so ustrezno nameščeni. Če nastavki niso ustrezno nameščeni, se lahko snamejo in povzročijo telesne poškodbe.

⚠ POZOR: Pazite, da z roko ne udarite ob steno, ko odstranjujete nastavke.

Uporaba nastavka s funkcijo zaklepanja

Nastavek namestite tako, da ga vstavite v sesalni vhod sesalnika tako, da se zaskoči. Prepričajte se, da je nastavek zaklenjen.

► **SI.21:** 1. Sesalni vhod 2. Nastavek s funkcijo zaklepanja 3. Kavelj 4. Sprostilni gumb

OBVESTILO: Ob namestitvi nastavka s funkcijo zaklepanja pazite, da poravnate sprostilni gumb na čistilniku s kavljem na nastavku. Če nista poravnana, se nastavek ne bo zaklenil in se lahko sname s čistilnika.

Za odstranitev pritisnite in držite sprostilni gumb in nastavek izvlcite.

► **SI.22:** 1. Sprostilni gumb 2. Nastavek s funkcijo zaklepanja

Uporaba nastavka brez funkcije zaklepanja

⚠ POZOR: Nastavek brez funkcije zaklepanja namestite tako, da ga zavrtite in vstavite v smeri puščice, da bo med uporabo trdno pritrjen. Nastavek odstranite tako, da ga prav tako zavrtite in izvlcite v smeri puščice. Če je nastavek obrnjen v napačno smer, se lahko kapsula razrahlja.

► **SI.23**

Čiščenje (sesanje)

Šoba

Priključite šobo za čiščenje miz, delovnih miz, pohištva itd. Namestitev šobe je enostavna.

► **SI.24:** 1. Šoba

Šoba + podaljšek (ravna cev)

Podaljšek se namesti med šobo in čistilnik. Na ta način priločno čistite tla v stoječem položaju.

► **SI.25:** 1. Ohišje čistilnika 2. Podaljševalna palica (ravna cev) 3. Šoba

Ozka šoba

Namestite ozko šobo za čiščenje kotov in špranj v avtomobilu ali pohištvu.

► **SI.26:** 1. Ozka šoba 2. Ohišje čistilnika

Ozko šobo lahko hranite v držalu za šobo.

► **SI.27:** 1. Držalo za šobo 2. Ozka šoba

⚠ POZOR: Pazite, da si ne priščipnete prsta (prstov) med ozko šobo in držalom za šobo. Če si priščipnete prst (prste), se lahko poškodujete.

Ozka šoba + podaljševalna palica (ravna cev)

To kombinacijo uporabite v tesnih prostorih, kamor se čistilnik sam ne prilega, ali na visokih mestih, ki jih težko dosežete.

► **SI.28:** 1. Ozka šoba 2. Podaljševalna palica (ravna cev) 3. Ohišje čistilnika

Čiščenje brez šobe

Brez šobe lahko sesate prašek in prah.

► **SI.29**

Za lažje sesanje prahu v stoječem položaju je čistilniku priložena pripravna podaljševalna palica.

► **SI.30:** 1. Podaljševalna palica (ravna cev)

VZDRŽEVANJE

⚠ POZOR: Preden se lotite pregledovanja ali vzdrževanja orodja, se vedno prepričajte, da je orodje izklopljeno in akumulatorska baterija odstranjena.

VARNO in ZANESLJIVO delovanje tega izdelka bo zagotovljeno le, če boste popravila, vzdrževanje in nastavitve prepustili pooblaščenemu servisu za orodja Makita ali tovarniškemu osebju, ki vgrajuje izključno originalne nadomestne dele.

Po uporabi

⚠ POZOR: Če postavite čistilnik ob steno brez kakršne koli opore, lahko ta pade, kar lahko privede do telesnih poškodb ali poškodb čistilnika.

► **SI.31**

Čiščenje

⚠ POZOR: Ko se filtri zamašijo, jih očistite. Če nadaljujete z uporabo, ko so zamašeni, se lahko naprava pregreje ali vname.

OBVESTILO: Nikoli ne uporabljajte bencina, razredčila, alkohola ali podobnega sredstva. V tem primeru se lahko orodje razbarva ali deformira oziroma lahko nastanejo razpoke.

OBVESTILO: Ne pihajte prahu s čistilnika in filtrov s puhalnikom zraka. S tem bo prah prišel v ohišje in povzročil okvaro.

OBVESTILO: Ko filtre operete, jih pred uporabo temeljito posušite. Nezadostno posušeni filtri lahko povzročijo slabo sesanje in skrajšajo življenjsko dobo motorja.

OBVESTILO: Ko očistite filtre in gobasti filter, jih pred uporabo znova namestite. Če čistilnik uporabljate brez filtrov in gobastega filtra, prah vstopi v ohišje motorja in povzroči okvaro.

Ohišje čistilnika

Občasno obrišite zunanost (ohišje) čistilnika s krpo, namočeno v milnico.

Očistite tudi sesalno odprtino in območje za namestitev filtra.

► **SI.32**

Visokozmogljivostni filter

Ko se filter zamaši s prahom, ga operite v milnici, saj se zaradi umazanega filtra moč čistilnika zmanjša. Pred uporabo ga temeljito posušite.

► **SI.33**

Filter HEPA

Dodatna oprema

OBVESTILO: Ne drgnite in praskajte filtra HEPA s trdimi predmeti, na primer s krtačo in lopatico.

Zamašen filter HEPA povzroča slabšo zmogljivost sesanja. Občasno očistite filter.

Filter HEPA občasno očistite z vodo, splaknite in temeljito osušite v senci pred nadaljnjo uporabo. Filtra nikoli ne perite v pralnem stroju.

► **SI.34**

Gobasti filter

Ko se gobasti filter umaže, ga očistite skladno s spodnjim postopkom.

1. Odstranite filtre, ki pokrivajo omejilo.
2. Izvlecite gobasti filter izmed stebrov.
3. Očistite gobasti filter tako, da ga otresete ali operete. Če ga operete, ga pred uporabo temeljito posušite.
4. Vstavite gobasti filter med stebre in ga postavite v izvirni položaj. Poskrbite, da spodnji robovi stebra čvrsto držijo gobasti filter ter da med gobastim filtrom in sesalno odprtino ni vrzeli.

► **SI.35:** 1. Gobasti filter 2. Spodnji rob stebra

Stenski nastavek za brezžični čistilnik

Dodatna oprema

OPOMBA: Vijak za namestitev držala ni priložen. Pripravite vijak, ki ustreza materialu, v katerega boste vrtali.

Stenski nastavek za brezžični čistilnik pritrдите na trdo leseno steno, tram ali stebel, kamor ga lahko trdno pritrđite. Preden obesite čistilnik, se vedno prepričajte, da je stenski nastavek za brezžični čistilnik trdno pritrjen.

► **SI.36:** 1. Stenski nastavek za brezžični čistilnik

⚠ POZOR: Pri obešanju čistilnika na stenski nastavek ne bodite grobi in nanj ne obešajte nobenih drugih naprav razen čistilnika.

Odpravljanje težav

Preden zahtevate popravilo, preverite naslednje:

Težava	Kaj je treba preveriti	Odpravljanje težave
Majhna moč sesanja	Ali je v kapsuli preveč prahu?	Odstranite prah iz kapsule.
	Ali je filter zamašen?	Očistite ali operite filter.
	Ali je akumulatorska baterija prazna?	Napolnite akumulatorsko baterijo.
Čistilnik ne deluje	Ali je akumulatorska baterija prazna?	Napolnite akumulatorsko baterijo.
Čistilnik je glasen in vibrira	Ali je filter zamašen?	Očistite ali operite filter.
	Je zamašena šoba, cev ali sesalni vhod naprave?	Odstranite tuje iz šobe, cevi ali sesalnega vhoda naprave.
	Je vhod šobe/cevi blokiran?	Ne blokirajte vhoda šobe/cevi.

⚠ POZOR: Ne poskušajte sami popravljati čistilnika.

DODATNA OPREMA

⚠ POZOR: Ta dodatni pribor ali pripomočki so predvideni za uporabo z orodjem Makita, ki je opisano v teh navodilih za uporabo. Pri uporabi drugega pribora ali pripomočkov obstaja nevarnost telesnih poškodb. Dodatni pribor ali pripomočke uporabljajte samo za navedeni namen.

Za več informacij o dodatni opremi se obrnite na najbližji pooblašeni servis za orodja Makita.

- Podaljšek (ravna cev)
- Šoba
- Šoba za preprogo
- Krtača za police
- Ozka šoba
- Okrogla krtača
- Gibljiva cev
- Filter (netkana krpa)
- Prefilter
- Visokozmogljivostni filter
- Filter HEPA
- Nastavek za sedeže
- Nastavek za špranje
- Stenski nastavek za brezžični čistilnik
- Ciklonska enota
- Nastavek za ciklonski sesalnik
- Vrečka za orodje
- Originalna akumulator in polnilnik Makita

OPOMBA: Nekateri predmeti na seznamu so lahko priloženi orodju kot standardna dodatna oprema. Lahko se razlikujejo od države do države.

Nastavek za ciklonski sesalnik

Dodatna oprema

► **SI.37:** 1. Sprostilni gumb 2. Kavelj 3. Podaljševalna palica (ravna cev) 4. Nastavek za ciklonski sesalnik 5. Sesalni vhod

O nastavku za ciklonski sesalnik

Uporaba sesalnika z nameščenim nastavkom za ciklonski sesalnik zmanjša količino prahu, ki vstopi v kapsulo, kar pomaga preprečiti zmanjšanje moči sesanja. Poleg tega je čiščenje po uporabi preprosto.

⚠ POZOR: Pred vsako izvedbo dela na orodju se prepričajte, da je le to izključeno in da je akumulatorska baterija odstranjena. Če pustite akumulatorsko baterijo v napravi, se lahko sesalnik nepričakovano prižge in povzroči telesno poškodbo.

⚠ POZOR: Mrežasti filter nastavka za ciklonski sesalnik in filtre sesalne enote očistite, ko se zamašijo. Če nadaljujete z uporabo, ko sta zamašena, lahko pride do pregrevanja ali se pojavi dim.

OBVESTILO: Ko je nastavek za ciklonski sesalnik pritrjen, ne uporabljajte sesalnika v vodoravnem položaju ali obrnjenega navzgor. Če to storite, se lahko mrežasti filter zamaši.

OBVESTILO: Sesalnik vedno uporabljajte z nameščenimi filtri, tudi ko uporabljate nastavek za ciklonski sesalnik. Če sesalnik uporabljate brez nameščenih filtrov, lahko pride do okvare motorja.

OPOMBA: Pred uporabo preverite, da so nastavek za ciklonski sesalnik, čistilnik in podaljševalna palica (ravna cev) dobro pritrjeni.

OPOMBA: Posodo za prah nastavka za ciklonski sesalnik in kapsulo sesalnika očistite, ko se nabere prah. Če nadaljujete z uporabo, se bo zmanjšala moč sesanja.

OPOMBA: Nastavek za ciklonski sesalnik lahko uporabljate brez funkcije zaklepa.

OPOMBA: Za nameščanje ali odstranjevanje nastavka za ciklonski sesalnik glejte „Nameščanje in odstranjevanje nastavkov čistilnika“.

3. Mrežasti filter vstavite v osnovno enoto tako, da sta kavljva poravnana z vrati. Mrežasti filter obračajte v smeri pušice, da se kavljva zaskočita. Preverite, ali je mrežasti filter trdno nameščen.

► **SI.42:** 1. Mrežasti filter 2. Kavelj 3. Priključek

Odstranjevanje prahu

Ko se v posodi za prah nabere prah do zgornje meje, sledite spodnjem postopku in odstranite prah.

1. Trdno primite posodo za prah, pritisnite in zadržite dva gumba in odstranite posodo za prah.

► **SI.38:** 1. Zgornja meja 2. Posoda za prah 3. Gumb (na dveh mestih) 4. Mrežasti filter

2. Odstranite prah iz posode za prah in odstranite prah in delce, nabrane na površju mrežastega filtra.

3. Vstavite posodo za prah tako, da oba gumba klikneta.

► **SI.39:** 1. Posoda za prah 2. Gumb (na dveh mestih)

⚠ POZOR: Pri sestavljanju posode za prah bodite previdni, da si ne priščipnete prstov.

OPOMBA: Pred ponovno uporabo preverite, da so nastavek za ciklonski sesalnik, čistilnik in podaljševalna palica (ravna cev) dobro pritrjeni.

OPOMBA: Če se sesalna moč ne povrne tudi ko odstranite nabrani prah iz posode za prah in po čiščenju mrežastega filtra, preverite, če se je v kapsuli sesalnika nabral prah ali je prišlo do zamašitve.

OPOMBA: Prah lahko med odstranjevanjem iz nastavka za ciklonski sesalnik zleti navzgor. Pazite, da vam prah ne pride v oči.

Čiščenje

⚠ POZOR: Ko nastavek za ciklonski sesalnik operete, ga pred uporabo temeljito posušite. Nezadostno posušene komponente lahko povzročijo električni udar ali poškodujejo napravo.

Ko se posoda za prah umaže ali se mrežasti filter zamaši, ju odstranite in operite z vodo. (Glejte »Odstranjevanje prahu« za postopek odstranitve.)

Dobro osušite dele preden jih ponovno namestite in uporabite.

► **SI.40:** 1. Posoda za prah 2. Mrežasti filter

Ko se mrežasti filter močno umaže, ga očistite z naslednjimi postopki.

1. Mrežasti filter obračajte v smeri puščice in ga odstranite, ko se kavljva odkleneta.

► **SI.41:** 1. Mrežasti filter 2. Kavelj

2. Odstranite prah z mrežastega filtra in ga operite z vodo. Po tem ga dobro osušite.

PARALAJMËRIM

- Kjo pajisje mund të përdoret nga fëmijë të moshës 8 vjeçare e lart dhe persona me aftësi të kufizuara fizike, shqisore ose mendore, ose që u mungon përvoja dhe njohuria, nëse janë nën mbikëqyrje apo kanë marrë udhëzime në lidhje me përdorimin e sigurt të pajisjes dhe kuptimin e rreziqeve të mundshme.
- Fëmijët nuk duhet të luajnë me pajisjen. Pastrimi dhe mirëmbajtja nga përdoruesi nuk duhet të kryhet nga fëmijë pa mbikëqyrje.
- Shihni kapitullin "SPECIFIKIMET" për referencën e llojit të baterisë.
- Shihni seksionin "Instalimi apo heqja e kutisë së baterisë" për mënyrën e heqjes apo të instalimit të baterisë.
- Kur hidhni kutinë e baterisë, hiqeni nga vegla dhe hidhni në një vend të sigurt. Zbatoni rregulloret lokale rreth hedhjes së baterisë.
- Nëse vegla nuk përdoret për një periudhë të gjatë kohe, bateria duhet të hiqet nga vegla.
- Mos bëni lidhje të shkurtër me kutinë e baterisë.
- Shihni kapitullin "MIRËMBAJTJA" për detajet e duhura të masave të kujdesit gjatë mirëmbajtjes nga përdoruesi.

SPECIFIKIMET

Modeli:	DCL283F
Kapaciteti	730 mL
Përdorimi i vazhdueshëm (me bateri BL1830B)	Rreth 10 min
Gjatësia e përgjithshme (me tub, grykëz dhe bateri BL1830B)	1 066 mm
Tensioni nominal	D.C. 18 V
Pesha neto	1,3 - 1,7 kg

- Për shkak të programit tonë të vazhdueshëm të kërkim-zhvillimit, specifikimet që jepen këtu mund të ndryshojnë pa dhënë njoftim.
- Specifikimet mund të ndryshojnë nga njëri shtet në tjetrin.
- Pesha nuk përfshin aksesoret, por kutinë(të) e baterisë. Pesha më e lehtë dhe më e rëndë e kombinuar e pajisjes dhe e kutisë(ve) të baterisë tregohet në tabelë.

Kutia e aplikueshme e baterisë dhe karikuesi

Kutia e baterisë	BL1815N / BL1820B / BL1830B / BL1840B / BL1850B / BL1860B
Karikuesi	DC18RC / DC18RD / DC18RE / DC18SD / DC18SE / DC18SF / DC18SH / DC18WC

- Disa prej kutive të baterive dhe karikuesve të renditura më lart mund të mos jenë të disponueshme në varësi të zonës ku ju banoni.

▲ PARALAJMËRIM: Përdorni vetëm kutitë e baterisë dhe karikuesit e listuar më lart. Përdorimi i karikuesve dhe kutive të tjera të baterisë mund të shkaktojë lëndim dhe/ose zjarr.

Simbolet

Pjesët në vazhdim tregojnë simbolet që mund të përdoren për pajisjen. Sigurohuni që merrni vesh kuptimin e tyre përpara përdorimit.



Lexoni manualin e përdorimit.



Një shembull i baterisë për këtë produkt.



Vetëm për shtetet e BE-së
Për shkak të pranisë së komponentëve të rrezikshëm në pajisje, mbetjet e pajisjeve elektronike dhe elektrike, akumulatorët dhe bateritë, mund të kenë ndikim negativ në mjedis dhe në shëndetin e njerëzve. Mos i hidhni pajisjet elektrike dhe elektronike ose bateritë me mbetjet shtëpiake!
Në përputhje me Direktivën Evropiane për mbetjet e pajisjeve elektrike dhe elektronike, akumulatorët dhe bateritë, dhe mbetjet e akumulatorëve dhe baterive, si dhe përfshirjen e saj në ligjin kombëtar, mbetjet e pajisjeve elektrike dhe elektronike, akumulatorëve dhe baterive, duhet të mbahen veçmas dhe të dorëzohen në një pikë grumbullimi të veçantë për mbetjet komunale, duke vepruar në përputhje me rregulloret e mbrojtjes së mjedisit.
Kjo tregohet nga simboli i koshit të plehrave me kryq, të vendosur mbi pajisje.

Përdorimi i synuar

Vegla është synuar për mbledhjen e pluhurit të thatë.

PARALAJMËRIME SIGURIE

Paralajmërimi për sigurinë e pastruesit me bateri

⚠ PARALAJMËRIM: E RËNDËSISHME
LEXONI ME KUJDES të gjitha paralajmërimet dhe udhëzimet **PARA PËRDORIMIT**. Moszbatoni i paralajmërimeve dhe udhëzimeve mund të rezultojë në goditje elektrike, zjarr dhe/ose lëndim serioz.

1. Mos e ekspozoni në kohë me shi. Ruajeni në ambiente të brendshme.
2. Mos lejoni të përdoret si lodër. Nevojitet vëmendje e kujdesshme kur përdoret nga ose në afërsi të fëmijëve.
3. Të përdoret vetëm sipas udhëzimeve të këtij manuali. Përdorni vetëm pjesët shtesë të rekomanduara nga kompania prodhuese.
4. Mos përdorni bateri të dëmtuar. Nëse pajisja nuk funksionon siç duhet, është përplasar, dëmtuar, lënë në ambiente të jashtme ose ka rënë në ujë, dërgojeni në një qendër shërbimi.
5. Mos e përdorni pajisjen me duar të lagura.

6. Mos vendosni objekte në pjesët e hapura. Mos e përdorni me pjesët e hapura të bllokua; mbajeni të pastër nga pluhurat, fijet, flokët dhe çfarëdo gjë që mund të pengojë rrjedhjen e ajrit.
7. Mbajini flokët, veshjet e lirshme, gishtat dhe të gjitha pjesët e trupit larg nga pjesët e hapura dhe të lëvizshme.
8. Fikni të gjitha kontrollet para se të hiqni baterinë.
9. Tregoni kujdes maksimal kur pastroni në shkallë.
10. Mos e përdorni për të mbledhur lëngje të ndezshme ose të djegshme si benzina apo mos e përdorni në zona ku mund të gjenden ato.
11. Për karikim, përdorni vetëm karikuesin e dhënë nga kompania prodhuese.
12. Mos mblidhni ndonjë gjë që digjet apo është e ndezur, si cigaret, shkrepsët apo hiri i nxehtë.
13. Mos e përdorni pa vendosur qesen e pluhurit dhe/ose filtrat në vend.
14. Mos e karikoni baterinë në ambiente të jashtme.
15. Karikojeni vetëm me karikuesin e specifikuar nga prodhuesi. Karikuesi që është i përshtatshëm për një lloj pakete baterie mund të shkaktojë rrezik zjarri kur përdoret me një paketë tjetër baterie.
16. Përdorni pajisjet vetëm me paketat e baterisë të prodhuara posaçërisht për këtë qëllim. Përdorimi i paketave të tjera të baterisë mund të paraqesë rrezik lëndimi dhe zjarri.
17. Kur paketa e baterisë nuk përdoret, mbajeni larg objekteve të tjera metalike, si kapëset e letrave, monedhat, çelësat, gozhdët, vidat ose objektet e tjera të vogla metalike që mund të bëjnë lidhje nga njëri terminal tek tjetri.
18. Në kushte sforcimi mund të dalë lëng nga bateria; shmangni kontaktin. Nëse aksidentalisht ndodh kontakt, shpëlani me ujë.
19. Mos e përdorni një kuti baterie apo pajisje që është e dëmtuar ose e modifikuar. Bateritë e dëmtuara ose të modifikuara mund të shfaqin sjellje të paparashikueshme që rezultojnë në zjarr, shpërthime apo rrezik plagosjeje.
20. Mos e ekspozoni kutinë e baterisë ose pajisjen në zjarr ose ndaj temperaturave ekstreme. Ekspozimi ndaj zjarrit ose temperaturave mbi 130 °C mund të shkaktojë shpërthim.
21. Ndiqu të gjitha udhëzimet e karikimit dhe mos e karikoni kutinë e baterisë ose pajisjen jashtë kufijve të temperaturës të specifikuar të udhëzimit. Karikimi i pasaktë ose në temperatura jashtë kufijve të specifikuar mund të dëmtojë baterinë dhe të rrisë rrezikun e zjarrit.

RUAJINI KËTO UDHËZIME.

RREGULLA TË TJERA SIGURIE

Kjo pajisje synohet për përdorim shtëpiak.

- Lexoni me kujdes këtë manual përdorimi dhe manualin e përdorimit të karikuesit para përdorimit.
 - Mos i mbliidhni materialet në vijim:
 - Substancat e nxehta që digjen ose lëshojnë tym (cigare, shkrepe, shkopinj temjani, qirinj, hi i nxehtë), shkëndijat dhe pluhuri metalik i krijuar nga prerja ose thërrmimi i metaleve etj.
 - Lëng i ndezshëm (vajguri, benzinë, tretës si benzina, holluesit etj.)
 - Materialet e djegshme (toner, bojë, spruco etj.)
 - Lëndët shpërthyes ose pirofore (nitroglicerinë, alumin, magnez, titan, zink, fosfor i kuq, fosfor i verdhë, celuloid etj. dhe pluhuri, gazi ose avulli i tyre)
 - Lëng, vaj, papastërti të lagura ose mbeturina të lagura, duke përfshirë të vjellat dhe jashtëqitjet
 - Copa të forta me tehe të mprehta (ashkla druri, metale, gurë, gota, gozhdë, kunjja, brisqe ose takëme)
 - Pluhur i imët ngurtësues dhe përçues (pluhur metal i ose karboni)
 - Solucione si shkurthim për pastrimin e qilimave etj. (mund të shkaktojnë shpërthim ose zjarr)
 - Sasi të mëdha pluhuri (miell, pluhur zjarrfikës etj.)
 - Substanca që shkaktojnë simptoma toksike
 - Kimikatet agresive (acid, alkale etj.)
 - Pluhuri i imët bashkues si çimentoja
 - Grimca të imëta si pluhur betoni
 - Desikantët
 - Asbesti
 - Pesticidet
- Veprime të tilla mund të shkaktojnë zjarr, lëndim dhe/ose dëmtim të pronës.
- Për të pakësuar ekspozimin tuaj ndaj këtyre kimikateve mbani gjithmonë pajisje mbrojtëse respiratore të miratuara, si maskat kundër pluhurit që janë projektuar posaçërisht për të filtruar grimcat mikroskopike. Drejtojeni ajrin e shkarkimit larg fytyrës dhe trupit tuaj.
- Ndaloni menjëherë punën nëse vini re diçka jonormale.
 - Nëse pastruesi ju rrëzohet ose goditet, kontrolloni me kujdes për plasaritje ose dëmtim para përdorimit.
 - Mos e afroni me sobat apo burime të tjera nxehtësie.
 - Mos e bllokoni vrimën e hyrjes së ajrit apo vrimat e ventilimit.

RUAJINI KËTO UDHËZIME.

Udhëzime të rëndësishme rreth sigurisë për kutinë e baterisë

- Përpara se ta përdorni kutinë e baterisë, lexoni të gjitha udhëzimet dhe shënimet e masave parandaluese të (1) ngarkuesit të baterisë, (2) bateria dhe (3) produkti që përdor baterinë.
 - Mos e gmontoni ose dëmtoni kutinë e baterisë. Kjo mund të shkaktojë zjarr, nxehtësi të lartë ose shpërthim.
 - Nëse koha e përdorimit është shkurtuar jashtë mase, ndalojeni punën menjëherë. Kjo mund të rezultojë në rrezik mbinxehjeje, djegie të mundshme, madje edhe shpërthim.
 - Nëse ju futen elektrolitit në sy, shpëlajini sytë me ujë të pastër dhe kërkoni ndihmë mjekësore menjëherë. Kjo gjë mund të rezultojë në humbje të shikimit.
 - Mos bëni lidhje të shkurtër me kutinë e baterisë:
 - Mos i prekni terminalet me materiale përcjellëse.
 - Shmangni ruajtjen e kutisë së baterisë në një kuti me objekte të tjera metalike, si gozhdë, monedha etj.
 - Mos e ekspozoni kutinë e baterisë në ujë ose shi.
- Qarku i shkurtër i baterisë mund të shkaktojë qarkullim të madh të rrymës elektrike, mbinxehje, djegie të mundshme dhe madje prishje.
- Mos e ruani dhe mos e përdorni pajisjen dhe kutinë e baterisë në vende ku temperatura mund të arrijë ose tejkalojë 50 °C (122 °F).
 - Mos e digjni kutinë e baterisë, edhe nëse është shumë e dëmtuar ose është konsumuar plotësisht. Kutia e baterisë mund të shpërthejë në zjarr.
 - Mos e shponi, pritni, shtypni, hidhni apo rrëzoni kutinë e baterisë apo ta goditni kutinë e baterisë me një objekt të fortë. Një sjellje e tillë mund të shkaktojë zjarr, nxehtësi të lartë ose shpërthim.
 - Mos përdorni bateri të dëmtuar.
 - Bateritë e përfshira të litiumit, u nënshtrohen kërkesave të legjislatimit për mallrat e rrezikshme.
- Për transport tregtar p.sh. nga palë të treta, agjentë të ndërmjetëm, duhet të ndiqen kërkesa specifike mbi paketimin dhe etiketimin.
- Për përgatitjen e artikullit për transport, është i nevojshëm konsultimi i një eksperti për materiale të rrezikshme. Ju lutemi, ndiqni gjithashtu rregulloret me gjasë më të detajuara vendore.
- Mbuloni me ngjitëse ose maskoni kontaktet e zhveshura dhe paketojeni baterinë në mënyrë të tillë që të mos lëvizë në paketim.
- Kur hidhni kutinë e baterisë, hiqeni nga vegla dhe hidhni në një vend të sigurt. Zbatoni rregulloret lokale rreth hedhjes së baterisë.

12. Përdorini bateritë vetëm me produktet e specifikuar nga Makita. Instalimi i baterive në produkte të papajtueshme mund të rezultojë në zjarr, nxehtësi të lartë, shpërthim ose rrjedhje të elektroliteve.
13. Nëse vegla nuk përdoret për një periudhë të gjatë kohe, bateria duhet të hiqet nga vegla.
14. Gjatë dhe pas përdorimit, kutia e baterisë mund të nxehtë, gjë që mund të shkaktojë djegie ose djegie në temperaturë të ulët. Tregoni kujdes gjatë manovrimit të kutive të nxehta të baterive.
15. Mos prekni terminalin e veglës menjëherë pas përdorimit pasi mund të nxehtë aq shumë sa të shkaktojë djegie.
16. Mos lejoni që grumbullimin e ashklave, pluhurave ose papastërtive në terminalet, vrimat ose kanalet e kutisë së baterisë. Mund të shkaktojë ngrohje, marrje flakë, plasje dhe avari të veglës ose të kutisë së baterisë, duke rezultuar në djegie ose lëndime personale.
17. Përveç kur vegla e mbështet përdorimin pranë linjave elektrike me voltazh të lartë, mos e përdorni kutinë e baterisë pranë linjave elektrike me voltazh të lartë. Kjo mund të shkaktojë një defekt ose dëmtim të veglës ose të kutisë së baterisë.
18. Mbajeni baterinë larg fëmijëve.

RUAJINI KËTO UDHËZIME.

▲KUJDES: Përdorni vetëm bateri origjinale Makita. Përdorimi i baterive jo-origjinale Makita ose baterive që mund të jenë modifikuar, mund të rezultojë në marrjen flakë të baterisë, lëndime personale apo dëmtime. Kjo do të anulojë gjithashtu edhe garancinë e Makita-s për veglën e Makita-s dhe ngarkuesin.

Këshilla për të ruajtur jetëgjatësinë maksimale të baterisë

1. Ngarkojeni baterinë përpara se të shkarkohet plotësisht. Gjithmonë ndaloni punën me pajisjen dhe ngarkoni baterinë kur vëreni ulje të fuqisë së pajisjes.
2. Asnjëherë mos e ringarkoni baterinë e ngarkuar plotësisht. Mbingarkimi shkurton jetëgjatësinë e shërbimit të baterisë.
3. Ngarkojeni baterinë në temperaturën e dhomës në 10 °C - 40 °C. Lëreni kutinë e nxehtë të baterisë të ftohet përpara se ta ngarkoni atë.
4. Kur nuk e përdorni kutinë e baterisë, hiqeni atë nga vegla ose karikuesi.
5. Ngarkojeni baterinë nëse nuk e përdorni për një kohë të gjatë (mbi gjashtë muaj).

PËRSHKRIMI I PUNËS

▲KUJDES: Sigurohuni gjithmonë që vegla të jetë e fikur dhe kutia e baterisë të jetë hequr përpara se ta rregulloni apo t'i kontrolloni funksionet e veglës.

▲KUJDES: Bëni kujdes të mos ju ngecin gishtat midis pastruesit dhe baterisë, si në skemë, kur të karikoni baterinë. Nëse ju ngecin gishtat mund të lëndoheni.

► Fig.1

Instalimi ose heqja e kutisë së baterisë

▲KUJDES: Fikeni gjithmonë veglën përpara se të instaloni ose hiqni kutinë e baterisë.

▲KUJDES: Mbajeni fort veglën dhe kutinë e baterisë kur montoni ose hiqni kutinë e baterisë. Mosmbajta fort e veglës dhe e kutisë së baterisë mund të bëjë që t'ju rrëshqasin nga duart dhe të shkaktojë dëmtim të veglës dhe të kutisë së baterisë, si dhe lëndim personal.

Për të hequr kutinë e baterisë, rrëshqiteni atë nga vegla ndërsa rrëshqisni butonin në pjesën e përparme të kutisë së baterisë.

► Fig.2: 1. Treguesi i kuq 2. Butoni 3. Kutia e baterisë

Për të vendosur kutinë e baterisë, bashkërendisni gjuhëzën e kutisë së baterisë me kanalën e folesë dhe rrëshqiteni për ta futur. Futeni deri në fund, derisa të kërcasë dhe të bllokohet në vend. Nëse shikoni treguesin e kuq siç tregohet në figurë, nuk është e bllokuar plotësisht.

▲KUJDES: Vendoseni gjithnjë plotësisht kutinë e baterisë derisa treguesi i kuq të mos duket. Në të kundërt, ajo mund të bjerë aksidentalisht nga vegla duke ju lënduar juve ose personin pranë jush.

▲KUJDES: Mos e vendosni me forcë kutinë e baterisë. Nëse kutia nuk hyn lehtë, nuk po e futni siç duhet.

Sistemi i mbrojtjes së veglës/baterisë

Vegla është e pajisur me një sistem të mbrojtjes së veglës/baterisë. Ky sistem ndërpret automatikisht energjinë në motor për të zgjatur jetëgjatësinë e veglës dhe baterisë. Vegla do të ndalojë automatikisht gjatë punës nëse vegla ose bateria janë vendosur sipas një prej kushteve të mëposhtme.

I mbingarkuar:

Vegla/bateria përdoret në një mënyrë që e bën atë të marrë rrymë të lartë anormale.

Në këtë situatë, fikeni veglën dhe ndaloni punën që shkaktoi mbingarkesën e veglës. Pastaj ndizeni veglën për ta rinisur.

Mbinxehje:

Vegla/bateria është mbinxehur. Në këtë rast, lëreni veglën/baterinë të ftohet përpara se ta ndizni sërish.

Tension i ulët i baterisë:

Kapaciteti i mbetur i baterisë është shumë i ulët dhe vegla nuk do të punojë. Në këtë situatë, hiqni dhe ngarkoni baterinë.

Mbron nga shkaqet e tjera:

Sistemi i mbrojtjes është menduar edhe për shkaqe të tjera që mund ta dëmtojnë veglën dhe i lejon veglës të ndalojë automatikisht. Ndërmerrni të gjitha hapat e mëposhtëm për të zgjidhur rastet, kur vegla ka arritur në ndalim të përkohshëm apo ndërprerje të punës.

1. Fikeni veglën dhe pastaj rindizeni për të rifilluar.
2. Karikoni bateritë ose ndërrojini me bateri të karikuara.
3. Lëreni veglën dhe bateritë të ftohen.

Nëse nuk vini re ndonjë përmirësim me rivendosjen e sistemit të mbrojtjes, kontaktoni qendrën vendore të shërbimit të Makita.

Treguesi i kapacitetit të mbetur të baterive

Vetëm për kuti baterie me llambë

► **Fig.3:** 1. Llambat treguese 2. Butoni i kontrollit Shtypni butonin e kontrollit në kutinë e baterisë për të treguar kapacitetin e mbetur të baterisë. Llambat treguese ndizen për pak sekonda.

Llambat treguese			Kapaciteti i mbetur
Ndezur	Fikur	Duke pulsuar	
■	□	▬	75% deri 100%
■ ■ ■ ■	□		50% deri 75%
■ ■	□ □		25% deri 50%
■	□ □ □ □		0% deri 25%
▬	□ □ □ □		Ngarkojeni baterinë.
■ ■ □ □	□ □ ■ ■	↑ ↓	Llambushka mund të ketë keqfunksionuar.

SHËNIM: Në varësi të kushteve të përdorimit dhe të temperaturës së ambientit, treguesi mund të ndryshojë paksa nga kapaciteti aktual.

SHËNIM: Llamba e parë e treguesit (në fund majtas) do të pulsojë kur sistemi i mbrojtjes së baterisë është në punë.

Veprimi i ndërrimit

► **KUJDES:** Përpara se të vendosni kutinë e baterisë në vegël, vendosni çelësin rrëshqitës në anën "O" dhe kontrolloni që këmbëza e çelësit aktivizohet në rregull dhe kthehet në pozicionin "OFF" (Fikur) kur lëshohet.

Kur çelësi rrëshqitës është vendosur në anën "O": Për ta ndezur veglën, thjesht tërhiqni këmbëzën e çelësit. Lëshoni këmbëzën e çelësit për ta fikur.

► **Fig.4:** 1. Çelësi me rrëshqitje 2. Çelësi

Kur çelësi rrëshqitës është vendosur në anën "I":

Ndërkohë që çelësi rrëshqitës është vendosur në anën "I", këmbëza e çelësit tërhiqet automatikisht dhe fshesa vazhdon të punojë. Për të ndaluar fshesën, rrëshqiteni çelësin rrëshqitës në anën "O" dhe lëshoni këmbëzën e çelësit.

► **Fig.5:** 1. Çelësi me rrëshqitje 2. Çelësi

Ndezja e llambës

► **KUJDES:** Mos e shikoni direkt dritën ose burimin e dritës.

Për të ndezur llambën, ose shtypni këmbëzën e çelësit ose vendosni çelësin rrëshqitës në pozicionin "I". Gjatë punës së fshesës, llamba ndizet.

Llamba fiket menjëherë pasi ndaloni funksionimin.

SHËNIM: Llamba treguese fillon të pulsojë kur kapaciteti i mbetur i baterisë ulet. Koha në të cilën llamba fillon të pulsojë varet nga temperatura në vendin e punës dhe gjendja e kutisë së baterisë.

► **Fig.6:** 1. Llamba 2. Çelësi me rrëshqitje 3. Çelësi

MONTIMI

► **KUJDES:** Sigurohuni gjithmonë që vegla të jetë e fikur dhe kutia e baterisë të jetë hequr përpara se të kryeni ndonjë punë në vegël.

Përshkrimi i pjesëve

Aksesorë opsionalë

Filtri me performancë të lartë dhe mbajtësja dhe filtri sfungjer

► **Fig.7:** 1. Kapsula 2. Filtri me performancë të lartë 3. Mbajtësja 4. Filtri prej sfungjeri

Parafiltri ose filtri me performancë të lartë dhe filtri HEPA

► **Fig.8:** 1. Kapsula 2. Parafiltri 3. Filtri me performancë të lartë 4. Filtri HEPA

VINI RE: Mos vendosni filtër opsional (leckë të paendur) poshtë filtrit me performancë të lartë. Filtrat nuk mund të hiqeshin nga fshesa.

SHËNIM: Mos instaloni një filtër opsional (leckë të paendur) midis filtrit HEPA dhe parafiltrit. Fuqja e thithjes mund të reduktohet.

SHËNIM: Përdorni gjithmonë filtrin e performancës së lartë me mbajtëse të projektuar posaçërisht kur ta vendosni mbi filtrin HEPA.

► **Fig.9:** 1. Filtri me performancë të lartë 2. Mbajtëse (projektuar për filtrin e performancës së lartë)

Flakja e pluhurit

▲KUJDES: Boshatiseni pastruesin para se të mbushet plot ose nëse dobësohet fuqia e thithjes.

▲KUJDES: Sigurohuni që të zbrazi vetë pjesën e brendshme të pastruesit nga pluhuri. Moskryerja e kësaj mund të shkaktojë bllokimin e filtrit ose dëmtimin e motorit.

Për të hequr pluhurin që gjendet te filtri në kapsulë, goditeni lehtë kapsulën 4 apo 5 herë me dorë.

► **Fig.10:** 1. Kapsula

Drejtojeni folenë e thithjes për poshtë, rrotulloni kapsulën në drejtimin e shigjetës në skemë dhe shkëputeni drejt dhe me ngadalë kapsulën.

► **Fig.11:** 1. Kapsula 2. Foleja e thithjes

SHËNIM: Mund të bjerë pluhur kur hapet kapsula, kështu që sigurohuni të mbani një qese plehrash nën kapsulë.

Hiqni pluhurin e grumbulluar nga brenda kapsulës dhe filtrit me performancë të lartë.

► **Fig.12:** 1. Kapsula 2. Filtri me performancë të lartë

Rrotullojeni filtrin me performancë të lartë në drejtimin e shigjetës për të liruar buzën e sigurisë nga njëسيا e fshesës dhe hiqeni filtrin.

► **Fig.13:** 1. Buza e sigurisë

SHËNIM: Kur përdorni parafiltrin, ndiqni gjithashtu procedurën e mësipërme.

Pastroni pluhurin e imët dhe goditeni lehtë për të hequr pluhurin nga filtri me performancë të lartë.

Rimontimi

Lidhni filtrin me performancë të lartë. Në këtë çast, sigurohuni ta rrotulloni filtrin me performancë të lartë në mënyrë që buza e sigurisë të ngecë mirë në njësinë e fshesës.

► **Fig.14:** 1. Filtri me performancë të lartë

► **Fig.15:** 1. Buza e sigurisë

VINI RE: Sigurohuni gjithmonë të kontrolloni nëse filtri me performancë të lartë është ngarkuar siç duhet përpara se të përdorni fshesën. Nëse nuk ngarkohet siç duhet, do të futet pluhur në folenë e motorit dhe do të shkaktojë avari të motorit. Nëse ndodh problemi që përshkruhet më poshtë, filtri me performancë të lartë nuk është ngarkuar siç duhet. Ringarkojeni siç duhet për të ndrequr problemin.

Bashkoni kapsulën. Bashkërendisni shenjën në kapsulë me shenjën në dorezë dhe rrotulloni fort kapsulën në drejtimin e shigjetës derisa të sigurohet.

► **Fig.16:** 1. Shenja 2. Doreza 3. Kapsula

SHËNIM: Hiqeni pluhurin gjithmonë përpara pune, pasi fuqia e thithjes do të bjerë nëse ka shumë pluhur në fshesë.

Shembuj të problemeve

Buza e sigurisë e filtrit me performancë të lartë nuk është bllokuar mirë në kanalën e folesë së fshesës.

► **Fig.17:** 1. Buza e sigurisë 2. Kanali i folesë së fshesës

Instalimi ose heqja e mbajtëses / filtrit HEPA

Aksesorë opsionalë

Për mbajtësen dhe filtrin sfungjer

Për të hequr mbajtësen, shtyni lart pjesën e poshtme të shtyllave të mbajtëses me gishta dhe kanalën nga pjesa e dalë në fshesë. Pas kësaj, hiqni filtrin sfungjer.

► **Fig.18:** 1. Mbajtësja 2. Filtri sfungjer

Për ta montuar, bashkërenditni kanalet në mbajtëse me pjesën e dalë në fshesë dhe shtyni derisa të kërcasë. Futni filtrin sfungjer mes shtyllave dhe vendoseni në pozicionin fillestar.

Për filtrin HEPA

Kur montoni filtrin HEPA, futeni kanalën e filtrit HEPA në fshesë. Më pas, futni parafiltrin ose filtrin me performancë të lartë në filtrin HEPA dhe rrotullojeni për ta siguruar. Për ta hequr, ndiqni procedurën e kundërt të instalimit.

► **Fig.19:** 1. Filtri HEPA 2. Parafiltri

► **Fig.20:** 1. Filtri HEPA 2. Filtri me performancë të lartë

PËRDORIMI

▲KUJDES: Mos e vendosni fytyrën pranë grilave të ajrimit kur përdorni fshesën. Nëse fryni objekte të huaja në sy, kjo mund të çojë në lëndime personale.

Instalimi dhe heqja e pjesëve të fshesës

▲KUJDES: Pas montimit të pjesëve, kontrolloni nëse janë fiksuar mirë. Nëse shtesat nuk montohen siç duhet, ato mund të dalin dhe të shkaktojnë dëmtime fizike.

▲KUJDES: Bëni kujdes të mos godisni dorën në mur etj. kur hiqni pjesët.

Kur përdorni aksesorin me funksionin e kyçjes

Për të montuar aksesorin, futeni në folenë e thithjes së fshesës derisa të kërcasë. Sigurohuni që aksesorin të jetë i bllokuar.

► **Fig.21:** 1. Foleja e thithjes 2. Aksesorin me funksionin e kyçjes 3. Grepin 4. Butonin e lëshimit

VINI RE: Kur montoni pjesën me funksionin e kyçjes, sigurohuni që të puthitni butonin e lëshimit në fshesë me gripin në pjesë. Nëse nuk janë bashkërenditur, aksesorin nuk do të bllokohet dhe mund të dalë nga fshesa.

Për ta hequr, tërhiqni aksesorin ndërkohë që shtypni butonin e lëshimit.

► **Fig.22:** 1. Butonin e lëshimit 2. Aksesorin me funksionin e kyçjes

Kur përdorni aksesoren pa funksionin e kyçjes

▲KUJDES: Për të lidhur aksesoren pa funksionin e kyçjes, rrotullojeni dhe futeni në drejtimin e shigjetës për të garantuar lidhje të sigurt gjatë përdorimit. Për të shkëputur aksesoren, rrotullojeni dhe nxirreni gjithashtu në drejtim të shigjetës. Nëse aksesori rrotullohet në drejtimin e kundërt, kapsula mund të lirohet.

► Fig.23

Pastrimi (Thithja)

Hundëza

Bashkoni hundëzën për të pastruar tavolina, tryeza, mobilie etj. Hundëza vendoset lehtësisht.

► Fig.24: 1. Hundëza

Hundëza + Shkopi zgjatues (Tubi i drejtë)

Shkopi zgjatues vendoset ndërmjet hundëzës dhe pastruesit. Kjo vendosje është e volitshme për pastrimin e dyshemesë duke qëndruar në këmbë.

► Fig.25: 1. Trupi i pastruesit 2. Tubi zgjatues (Tubi i drejtë) 3. Hundëza

Hundëza e shtypur

Vendosni hundëzën e shtypur për pastrimin e këndeve dhe qoshet e një makine apo mobilieje.

► Fig.26: 1. Hundëza e shtypur 2. Trupi i pastruesit

Hundëzën e shtypur mund ta ruani në mbajtësen e hundëzës.

► Fig.27: 1. Mbajtësja e hundëzës 2. Hundëza e shtypur

▲KUJDES: Tregoni kujdes të mos kapni gishtin(at) mes hundëzës së shtypur dhe mbajtëses së hundëzës. Nëse ju ngecin gishtat mund të lëndoheni.

Hundëza e shtypur + Tubi zgjatues (Tubi i drejtë)

Në kënde të ngushta ku nuk mund të futet pastruesi ose në vende të vështira për t'u arritur, përdorni këtë mënyrë.

► Fig.28: 1. Hundëza e shtypur 2. Tubi zgjatues (Tubi i drejtë) 3. Trupi i pastruesit

Pastrimi pa hundëz

Mund të pastroni pluhurin pa përdorur hundëzën.

► Fig.29

Për kapjen e pluhurit në dysheme nga pozicioni në këmbë, është praktike që të bashkoni tubin zgjatues me fshesën.

► Fig.30: 1. Tubi zgjatues (Tubi i drejtë)

MIRËMBAJTJA

▲KUJDES: Sigurohuni gjithmonë që vegla të jetë fikur dhe të jetë hequr nga bateria përpara se të kryeni inspektimin apo mirëmbajtjen.

Për të ruajtur SIGURINË dhe QËNDRUESHMËRINË, riparimet dhe çdo mirëmbajtje apo rregullim tjetër duhen kryer nga qendrat e autorizuar të shërbimit ose të shërbimit të fabrikës të Makita-s, duke përdorur gjithnjë pjesë këmbimi të Makita-s.

Pas përdorimit

▲KUJDES: Mbështetja e fshesës në mur pa mbështetëse tjetër mund të bëjë që fshesa të bjerë duke sjellë lëndime ose dëmtimin e fshesës.

► Fig.31

Pastrimi

▲KUJDES: Pastrojini filtrat kur bllokohen. Vazhdimi i përdorimit në gjendje të bllokuar mund të rezultojë në nxehe ose zjarr.

VINI RE: Mos përdorni kurrë benzinë, benzinë pastrimi, hollues, alkoool dhe të ngjashme. Mund të shkaktoni çngjyrosje, deformime ose krisje.

VINI RE: Mos e fryni pluhurin që është ngjitur në pastrues dhe filtra me kompresor me ajër. Kjo do të fusë pluhurin në fole dhe do të shkaktojë avari.

VINI RE: Pas larjes së filtrave, thajini ata plotësisht përpara përdorimit. Filtrat e patharë mirë mund të shkaktojnë thithje të dobët dhe të shkurtojë jetëgjatësinë e shërbimit të motorit.

VINI RE: Pas pastrimit të filtrave dhe filtrit prej sfungjeri, sigurohuni që t'i riinstaloni ata përpara përdorimit. Nëse e përdorni pastruesin pa filtrat dhe filtrin prej sfungjeri, në fole të motorit futet pluhur dhe shkakton avari.

Trupi i pastruesit

Herë pas here fshijeni pjesën e jashtme (trupin e pastruesit) të pastruesit duke përdorur një leckë të njomur me ujë me sapun.

Pastroni gjithashtu grykën e thithjes dhe zonën e montimit të filtrit.

► Fig.32

Filtri me performancë të lartë

Lajeni filtrin me ujë me sapun kur bllokohet me pluhur dhe bie fuqia e pastruesit. Thajeni plotësisht para përdorimit.

► Fig.33

Filtri HEPA

Aksesorë opsionalë

VINI RE: Mos e fërkoni apo kruani filtrin HEPA me objekte të forta si furçë apo me shpatull.

Filtri HEPA i bllokuar shkakton performancë të dobët në thithje. Pastrojeni filtrin herë pas here.

Herë pas here lani filtrin HEPA me ujë, shpëlajeni dhe thajeni mirë në hije përpara përdorimit. Mos e lani kurrë filtrin në makinën larëse.

► Fig.34

Filtri prej sfungjeri

Kur filtri i sfungjerit ndotet, pastrojeni atë si vijon.

1. Hiqni filtrat që mbulojnë mbajtësen.
2. Nxirrni filtrin prej sfungjeri nga mes shtyllave.
3. Pastroni filtrin prej sfungjeri duke e goditur ose duke e larë. Nëse e lani, thajeni atë plotësisht para përdorimit.
4. Futni filtrin prej sfungjeri nga mes shtyllave dhe vendoseni në pozicionin fillestar. Sigurohuni që çdo fund i poshtëm i shtyllës të mbajë filtrin prej sfungjeri dhe që të mos ketë hapësirë mes filtrit prej sfungjeri dhe grykës së thithjes.

► Fig.35: 1. Filtri prej sfungjeri 2. Fundi i poshtëm i shtyllës

Zgjidhja e problemeve

Përpara se të kërkonti riparime, kontrolloni pikat e mëposhtme.

Simptoma	Fusha që duhet hetuar	Metoda e rregullimit
Fuçi e ulët thithëse	Mos është mbushur kapsula e pluhurit?	Zbrazni kapsulën e pluhurit.
	Mos është bllokuar filtri?	Pastroni ose lani filtrin.
	A është e shkarkuar kutia e baterisë?	Karikoni kutinë e baterisë.
Nuk punon	A është e shkarkuar kutia e baterisë?	Karikoni kutinë e baterisë.
Zhurmë dhe dridhje	Mos është bllokuar filtri?	Pastroni ose lani filtrin.
	A është bllokuar koka, tubi apo hyrja e thithjes së pajisjes?	Hiqni sendet e bllokimit nga koka, tubi ose hyrja e thithjes e pajisjes.
	A është bllokuar koka/hyrja e tubit?	Mos e bllokoni kokën/hyrjen e tubit.

▲KUJDES: Mos u përipiqi ta riparoni vetë pastruesin.

AKSESORË OPSIONALË

▲KUJDES: Këta aksesorë ose shtojca rekomandohen për përdorim me veglën Makita të përcaktuar në këtë manual. Përdorimi i aksesorëve apo shtojcave të tjera ndryshe nga këto mund të përbëjë rrezik lëndimi. Aksesorët ose shtojcat përdorini vetëm për qëllimin e tyre të përcaktuar.

Nëse keni nevojë për më shumë të dhëna në lidhje me aksesorët, pyesni qendrën vendore të shërbimit të Makita-s.

- Shkopi zgjatues (Tubi i drejtë)
- Hundëza
- Hundëza për tapete
- Furça e rafteve
- Hundëza e shtypur

Kllapa e murit për pastruesin me bateri

Aksesorë opsionalë

SHËNIM: Nuk përfshihet vida për të montuar mbajtësin. Përgatitni një vidë që përshatet për materialin në të cilin do të vidhohet.

Bashkoheni kllapën e murit për pastruesin me bateri në një mur me dru të fortë, tra ose kolonë, ku kllapa e murit për pastruesin me bateri mund të fiksohet mirë. Gjithmonë sigurohuni që kllapa e murit për pastruesin me bateri të jetë fiksuar mirë përpara se të varni pastruesin.

► Fig.36: 1. Kllapa e murit për pastruesin me bateri

▲KUJDES: Mos e varni pastruesin në kllapën e murit me dhunë ose mos varni pajisje të tjera përveç pastruesit.

- Furça e rumbullakët
- Tubi fleksibël
- Filtri (leçë e paendur)
- Parafiltri
- Filtri me performancë të lartë
- Filtri HEPA
- Hundëza e folesë
- Hundëza për qoshtet
- Kllapa e murit për pastruesin me bateri
- Njësia Cyclone
- Aksesor Cyclone
- Çanta e veglave
- Bateri dhe ngarkues origjinal Makita

SHËNIM: Disa artikuj të listës mund të përfshihen në paketën e veglës si aksesorë standardë. Ato mund të ndryshojnë nga njëri shtet në tjetrin.

Aksesori Cyclone

Aksesorë opsionalë

- **Fig.37:** 1. Butoni i lëshimit 2. Grepit 3. Shkopi zgjatues (Tubi i drejtë) 4. Aksesori Cyclone 5. Foleja e thithjes

Rreth aksesorit Cyclone

Përdorimi i fshesës me aksesorin Cyclone të vendosur reduktton sasinë e pluhurit që hyn në kapsulë, gjë që ndihmon në parandalimin e dobësimit të forcës së thithjes. Gjithashtu, edhe pastrimi pas përdorimit është i thjeshtë.

▲KUJDES: Sigurohuni gjithmonë që vegla të jetë e fikur dhe kutia e baterisë të jetë hequr përpara se të kryeni ndonjë punë në vegël. Nëse kutia e baterisë lihet e futur, fshesa mund të nisët papritur dhe të rezultojë në lëndim.

▲KUJDES: Pastrojini filtrin rrjetë të aksesorit Cyclone dhe filtrat e njësish së fshesës kur ato bllokohen. Vazhdimi i përdorimit në gjendje të bllokuar mund të rezultojë në nxehe ose tym.

VINI RE: Kur aksesori Cyclone është i vendosur, mos e përdorni fshesën në pozicion horizontal ose me pamje nga lart. Nëse veproni kështu mund të bëni që filtri prej rrjete të bllokohet.

VINI RE: Gjithmonë përdoreni fshesën me filtrat të vendosur, edhe kur përdorni aksesorin Cyclone. Përdorimi i fshesës pa filtrat mund të rezultojë në keqfunksionim të motorit.

SHËNIM: Kontrolloni që aksesori pjesa e ciklonit, pastruesi dhe tubi zgjatues (tubi i drejtë) janë kyçur mirë përpara përdorimit.

SHËNIM: Zbrazeni kutinë e pluhurit të aksesorit Cyclone dhe kapsulën e fshesës kur është grumbulluar pluhur. Vazhdimi i përdorimit do të rezultojë në forcë të dobësuar thithjeje.

SHËNIM: Ju mund ta përdorni gjithashtu aksesorin Cyclone pa funksionin e kyçjes.

SHËNIM: Për ta montuar ose hequr pjesën e ciklonit, shikoni pjesën "Instalimi dhe heqja e pjesëve të fshesës".

Flakja e pluhurit

Kur është grumbulluar pluhur deri në vijën plot të kutisë së pluhurit, ndiqni procedurën më poshtë dhe hidheni pluhurin.

1. Mbjajeni kutinë e pluhurit fort, shtypni dhe mbani shtypur dy butonat, dhe hiqni kutinë e pluhurit.

► **Fig.38:** 1. Vija plot 2. Kutia e pluhurit 3. Butoni (dy vendndodhje) 4. Filtri rrjetë

2. Hidheni pluhurin brenda kutisë së pluhurit dhe hiqni çdo pluhur të ngjitur në sipërfaqen e filtrit rrjetë.

3. Futeni kutinë e pluhurit deri në fund derisa dy butonat të kyçen në vend me një kërcitje të lehtë.

► **Fig.39:** 1. Kutia e pluhurit 2. Butoni (dy vendndodhje)

▲KUJDES: Kur e montoni përsëri kutinë e pluhurit, bëni kujdes të mos ju ngecin gishtat.

SHËNIM: Kontrolloni që aksesori pjesa e ciklonit, pastruesi dhe tubi zgjatues (tubi i drejtë) janë kyçur mirë përpara se ta përdorni përsëri.

SHËNIM: Nëse forca e thithjes nuk rikuperohet pas hedhjes së pluhurit dhe pastrimit të filtrit rrjetë, kontrolloni nëse në kapsulë është grumbulluar pluhur nga fshesa ose nëse ka bllokim.

SHËNIM: Pluhuri mund të fluturojë kur hidhet nga aksesori Cyclone. Tregoni kujdes të mos lini pluhurin që t'ju hyjë në sy.

Pastrimi

▲KUJDES: Pasi ta keni larë pjesën e ciklonit, thajeni mirë para se ta përdorni. Pjesët që nuk janë tharë siç duhet mund të shkaktojnë goditje elektrike ose defekte në pajisje.

Kur kutia e pluhurit ndotet ose filtri rrjetë bllokohet, hiqni dhe lajini ato me ujë. (Referojuni "Flakja e pluhurit" për procedurën e heqjes.)

Thajini pjesët plotësisht përpara rivendosjes dhe përdorimit.

► **Fig.40:** 1. Kutia e pluhurit 2. Filtri rrjetë

Kur filtri rrjetë ndotet shumë, pastrojini atë sipas procedurave të mëposhtme.

1. Rotullojeni filtrin me rrjetë në drejtimin e shigjetës dhe hiqeni ndërkohë që kapëset janë të liruara.

► **Fig.41:** 1. Filtri rrjetë 2. Grepit

2. Hiqeni pluhurin nga filtri rrjetë dhe më pas lajini me ujë. Pas kësaj, thajeni plotësisht.

3. Futeni filtrin rrjetë në bazë duke pasur grepat të bashkërenditur me portën. Rotullojeni filtrin me rrjetë në drejtimin e shigjetës derisa grepat të kyçen me një klik. Sigurohuni që filtri rrjetë të jetë vendosur mirë.

► **Fig.42:** 1. Filtri rrjetë 2. Grepit 3. Porta

ПРЕДУПРЕЖДЕНИЕ

- Това изделие може да се използва от деца на възраст от 8 или повече години и от хора с намалени физически, сетивни или умствени възможности, или без опит и знания, ако те са под надзор или са били обучени относно безопасното използване на изделието и разбират възможните опасности.
- Децата не трябва да си играят с изделието. Почистването и техническото обслужване от потребителя не трябва да се извършват от деца без надзор.
- Вижте глава „СПЕЦИФИКАЦИИ“ за типовото обозначение на батерията.
- Вижте раздел „Поставяне и изваждане на акумулаторната батерия“ за начина на изваждане и поставяне на батерията.
- При изхвърляне на акумулаторната батерия я извадете от инструмента и я изхвърлете на подходящо място. Спазвайте местните разпоредби за изхвърляне на акумулаторни батерии.
- Ако инструментът няма да се използва продължително време, батерията трябва да се извади от него.
- Не давайте на късо акумулаторната батерия.
- Вижте глава „ТЕХНИЧЕСКО ОБСЛУЖВАНЕ“ за подробности за мерките за безопасност по време на техническо обслужване от потребителя.

СПЕЦИФИКАЦИИ

Модел:	DCL283F
Обем	730 мл
Непрекъсната употреба (с акумулаторна батерия BL1830B)	Прибл. 10 мин.
Обща дължина (с тръба, накрайник и батерия BL1830B)	1 066 мм
Номинално напрежение	Постоянно напрежение 18 V
Тегло нето	1,3 – 1,7 кг

- Поради нашата непрекъсната научно-развойна дейност посочените тук спецификации могат да бъдат променени без предизвестие.
- Спецификациите може да са различни в различните държави.
- В теглото не са включени принадлежностите, а само акумулаторната/ите батерия/и. В таблицата са показани най-леката и най-тежката комбинации за тегло на уреда и акумулаторната/ите батерия/и.

Приложима акумулаторна батерия и зарядно устройство

Акумулаторна батерия	BL1815N / BL1820B / BL1830B / BL1840B / BL1850B / BL1860B
Зарядно устройство	DC18RC / DC18RD / DC18RE / DC18SD / DC18SE / DC18SF / DC18SH / DC18WC

- Някои от акумулаторните батерии и зарядните устройства, посочени по-горе, може да не са налични в зависимост от региона на местоживеене.

▲ПРЕДУПРЕЖДЕНИЕ: Използвайте само посочените по-горе акумулаторни батерии и зарядни устройства. Използването на други акумулаторни батерии и зарядни устройства може да причини нараняване и/или пожар.

СИМВОЛИ

По-долу са описани символите, които може да се използват за тази машина. Задължително е да се запознаете с техните значения, преди да пристъпите към работа.



Прочетете ръководството за експлоатация.



Представителна батерия, подходяща за този продукт.



Само за страни от ЕС
Поради наличието на опасни компоненти в оборудването отпадъците от електрическо и електронно оборудване, акумулатори и батерии може да имат отрицателно въздействие върху околната среда и човешкото здраве.
Не изхвърляйте електрически и електронни уреди или батерии с битовите отпадъци!
Съгласно Европейската директива за отпадъците от електрическо и електронно оборудване и акумулатори и батерии и нейното адаптиране към националното законодателство, отпадъците от електрическо и електронно оборудване, батерии и акумулатори трябва да се събират отделно и да се доставят до отделен събирателен пункт за отпадъци, функциониращ съгласно наредбите за опазване на околната среда.
Това е указано чрез символ на зачертана с кръст кофа на колекция, поставен върху оборудването.

Предназначение

Уредът е предназначен за събиране на сух прах.

ПРЕДУПРЕЖДЕНИЯ ЗА БЕЗОПАСНОСТ

Предупреждения за безопасност за акумулаторната прахосмукачка

▲ ПРЕДУПРЕЖДЕНИЕ: ВАЖНО, ПРОЧЕТЕТЕ ВНИМАТЕЛНО всички предупреждения за безопасност и всички инструкции **ПРЕДИ РАБОТА**. При пренебрегване на предупрежденията и инструкциите има опасност от токов удар, пожар и/или тежко нараняване.

1. Пазете машината от дъжд. Съхранявайте я вътре в помещението.
2. Не разрешавайте да се използва като играчка. Изисква се повишено внимание, когато се използва от или покрай деца.
3. Да се използва само в съответствие с описанието в ръководството. Да се използват само аксесоари, препоръчани от производителя.

4. Да не се използва с повредени акумулаторни батерии. Ако уредът не работи нормално, бил е изпуснат, повреден, оставен на открито или е паднал в близост до вода, изпратете го в център за обслужване.
5. Не пипайте уреда с мокри ръце.
6. Не поставяйте никакви предмети в отворите. Не го използвайте, когато има запушени отвори; пазете го от прах, конци, коса и всичко, което може да пречи на въздушния поток.
7. Дръжте косата си, свободното облекло, пръстите и останалите части от тялото далече от отвори и движещи се части.
8. Изключете всички органи за управление, преди да извадите акумулаторната батерия.
9. При почистване на стълби бъдете особено внимателни.
10. Не използвайте за събиране на възпламеними или горими течности като бензин или в места, където може да има такива материали.
11. За зареждане използвайте само зарядното устройство, доставено от производителя.
12. Не събирайте неща, които горят или пушат като цигари, кибритени клечки или гореща пепел.
13. Не използвайте без поставена торба за прах и/или филтри.
14. Не зареждайте акумулаторната батерия на открито.
15. Презареждайте само със зарядното устройство, което е посочено от производителя. Зарядно устройство, което е подходящо за едни акумулаторни батерии, може да създаде риск от пожар, ако се използва с други акумулаторни батерии.
16. Използвайте уредите само с акумулаторните батерии, предназначени конкретно за тях. Използването на други акумулаторни батерии може да създаде риск от нараняване и пожар.
17. Когато акумулаторният пакет не се използва, дръжте го далеч от други метални предмети като кламери, монети, ключове, пирони, винтове или други дребни метални предмети, които могат да дадат накъсо двете клеми.
18. При грубо манипулиране е възможно изхвърляне на течност от батериите; избягвайте контакт с тях. При случайно докосване изплакнете с вода.
19. Не използвайте акумулаторните батерии или уреда, който е повреден или променен. Повредените или модифицирани батерии може да проявяват непредвидимо поведение, което да доведе до пожар, експлозия или опасност от нараняване.
20. Не излагайте батерията или уреда на огън или прекомерна температура. Излагането на огън или температура над 130 °C може да доведе до експлозия.

21. Спазвайте всички инструкции за зареждане и не зареждайте батерията или уреда извън температурния диапазон, посочен в инструкциите. Неправилното зареждане или зареждането при температура извън посочения диапазон може да повреди батерията и да повиши опасността от пожар.

ЗАПАЗЕТЕ НАСТОЯЩИТЕ ИНСТРУКЦИИ.

ДОПЪЛНИТЕЛНИ ПРАВИЛА ЗА БЕЗОПАСНОСТ

Този уред е за домакински цели.

1. Преди работа прочетете ръководството за експлоатация и ръководството за зарядното устройство.
2. Не събирайте с машината следните материали:
 - Горещи вещества, които горят или пушат (цигари, клечки кибрит, ароматни пръчици, свещи, гореща пепел), искри и метален прах, образувани при рязане или шлайфане на метал и др.
 - Запалима течност (керосин, бензин, разтворители, например бензин, разреждател и др.)
 - Запалим материал (тонер, боя, спрей и др.)
 - Експлозивни или пирофорни вещества (нитроглицерин, алуминий, магнезий, титан, цинк, червен фосфор, жълт фосфор, целулоид и др., както и прах, газ или пара от тях)
 - Течност, масло, мокри замърсявания или влажни отпадъци, включително повръщано и екскрети
 - Твърди парчета с остри ъгли (дървени стружки, метал, камъни, стъкло, пирони, карфици, ножчета за бръснене или прибори за хранене)
 - Втвърдяващ се и проводящ фин прах (метален или въглероден прах)
 - Пяна, например почистващ препарат за килими и др. (може да причини експлозия или пожар)
 - Голямо количество прах (брашно, прах за пожарогасител и др.)
 - Вещества, които причиняват токсични симптоми
 - Агресивни химикали (киселина, алкални вещества и др.)
 - Фин свързващ прах, например цимент
 - Фини частици, например прах от бетон
 - Изсушители
 - Азбест
 - Пестициди

Такива действия могат да предизвикат пожар, нараняване и/или имуществени щети.

За да намалите риска от излагане на влиянието на такива химикали, винаги носете одобрена дихателна защита, например маски за прах със специален филтър за микроскопични частици. Насочвайте изходящия въздух далеч от лицето и тялото си.

3. Незабавно прекратете работа, ако забележите нещо необичайно.
4. Ако изпуснете или ударите прахосмукачката, внимателно я проверете за пукнатини или повреди, преди да работите с нея.
5. Не я използвайте близо до печки или други източници на топлина.
6. Не запушвайте отворите за засмукване или за вентилация.

ЗАПАЗЕТЕ НАСТОЯЩИТЕ ИНСТРУКЦИИ.

Важни инструкции за безопасност за акумулаторната батерия

1. Преди да използвате акумулаторната батерия, прочетете всички инструкции и предупредителни маркировки на (1) зарядното устройство за батериите, (2) за батериите и (3) за използвания батериите продукт.
2. Не разглобявайте и не променяйте акумулаторната батерия. Това може да предизвика пожар, прегряване или взрив.
3. Ако мощността на машината намалее много, веднага спрете да работите. Това може да доведе до риск от прегряване, до възможни изгаряния и даже до експлозии.
4. Ако в очите ви попадне електролит, изплакнете ги с чиста вода и веднага потърсете лекарска помощ. Това може да доведе до загуба на зрението ви.
5. Не давайте на късо акумулаторните батерии:
 - (1) Не докосвайте клемите с проводими материали.
 - (2) Избягвайте съхраняването на акумулаторните батерии в контейнер с други метални предмети като пирони, монети и други подобни.
 - (3) Не излагайте акумулаторните батерии на вода или дъжд.Закъсяването на акумулаторна батерия може да доведе до протичане на много силен ток, до прегряване, до възможни изгаряния и даже до разпадане на батерията.
6. Не съхранявайте и не използвайте инструмент и акумулаторните батерии на места, където температурата може да достигне или надмине 50 °C (122 °F).
7. Не изгаряйте акумулаторните батерии даже и ако те са сериозно повредени или напълно износени. Акумулаторната батерия може да експлодира в огън.
8. Не забивайте пирони, не режете, не смачквайте, не хвърляйте, не изпускайте и не удряйте в твърд предмет акумулаторната батерия. Това поведение може да предизвика пожар, прегряване или взрив.
9. Не използвайте повредени акумулаторни батерии.

10. Съдържащите се литиево-йонни акумулаторни батерии са обект на изискванията на законодателството за опасни стоки.
При търговски превози, напр. от трети страни, следители, трябва да се спазват специални изисквания за опаковане и етикетироване.
За подготовка на артикула, който трябва да бъде изпратен, е необходима консултация с експерт по опасните материали. Моля, спазвайте и евентуално по-подробните национални разпоредби.
Залепете с лента или покрийте откритите контакти и опаковайте акумулаторната батерия по такъв начин, че да не може да се премества в опаковката.
11. При изхвърляне на акумулаторната батерия я извадете от инструмента и я изхвърлете на подходящо място. Спазвайте местните разпоредби за изхвърляне на акумулаторни батерии.
12. Използвайте батериите само с продуктите, определени от Makita. Поставянето на батериите към неодобрен продукт може да предизвика пожар, прегряване, взрив или изтичане на електролит.
13. Ако инструментът няма да се използва продължително време, батерията трябва да се извади от него.
14. По време на и след употреба акумулаторната батерия може да поеме топлина, която може да причини изгаряния или нискотемпературни изгаряния. Внимавайте, когато боравите с горещите акумулаторни батерии.
15. Не докосвайте клемата на инструмента веднага след употреба, тъй като е възможно да е достатъчно нагрята, за да предизвика изгаряния.
16. Не позволявайте стружки, прах или почва да полепват по клемите, отворите и каналите на акумулаторната батерия. Това може да причини загряване, възникване на пожар, избухване и повреда на инструмента или акумулаторната батерия, което да доведе до изгаряния или телесни наранявания.
17. Освен ако инструментът поддържа използването в близост до високоволтови електропроводи, не използвайте акумулаторната батерия близо до високоволтови електропроводи. Това може да доведе до неизправност или повреда на инструмента или акумулаторната батерия.
18. Пазете батерията от деца.

ЗАПАЗЕТЕ НАСТОЯЩИТЕ ИНСТРУКЦИИ.

⚠ВНИМАНИЕ: Използвайте само оригинални акумулаторни батерии на Makita. При използване на различни от акумулаторните батерии на Makita или стари акумулаторни батерии може да се получи пръскане на акумулаторната батерия, което да доведе до пожар, нараняване или повреда. Това също ще анулира гаранцията на Makita за инструмента и зарядното устройство Makita.

Съвети за поддържане на максимално дълъг живот на акумулаторните батерии

1. Зареждайте акумулаторните батерии, преди те да са се разредили напълно. Когато забележите, че мощността на инструмента намалява, винаги спирате работата с инструмента и заредете акумулаторната батерия.
2. Никога не презареждайте напълно заредена акумулаторна батерия. Презарядът скъсява експлоатационния живот на батерията.
3. Зареждайте акумулаторната батерия при стайна температура от 10 °C – 40 °C (50 °F – 104 °F). Оставете загретите акумулаторни батерии да се охладят, преди да ги зареждате.
4. Когато не използвате акумулаторната батерия, извадете я от инструмента или зарядното устройство.
5. Заредете акумулаторната батерия, ако не сте го използвали дълъг период от време (повече от шест месеца).

ОПИСАНИЕ НА ФУНКЦИИТЕ

⚠ВНИМАНИЕ: Винаги проверявайте дали инструментът е изключен и касетата с акумулаторната батерия е извадена, преди да регулирате или проверявате дадена функция на инструмента.

⚠ВНИМАНИЕ: Внимавайте да не прищипете пръстите си между прахосмукачката и акумулаторната батерия, както е показано на фигурата, когато зареждате батерията. Прищипването на пръсти може да предизвика нараняване.

► Фиг.1

Поставяне и изваждане на акумулаторната батерия

⚠ВНИМАНИЕ: Винаги изключвайте инструмента преди поставяне или изваждане на акумулаторната батерия.

⚠ВНИМАНИЕ: Когато инсталирате или изваждате акумулаторната батерия, дръжте здраво инструмента и акумулаторната батерия. Ако не държите здраво инструмента и акумулаторната батерия, те могат да се изплъзнат от ръцете ви и да доведат до повреждане на инструмента и акумулаторната батерия или нараняване.

За да извадите акумулаторната батерия, я плъзнете извън инструмента, плъзгайки същевременно бутона в предната част на акумулаторната батерия.

- **Фиг.2:** 1. Червен индикатор 2. Бутон
3. Акумулаторна батерия

За да поставите акумулаторната батерия, изравнете езичето на акумулаторната батерия с жлеба в корпуса и го плъзнете на мястото му. Придвижвайте я по протежението на жлеба, докато не се намести с леко щракване. В случай че виждате червения индикатор, както е показано на фигурата, тя не е фиксирана напълно на мястото си.

⚠ВНИМАНИЕ: Винаги вмъквайте акумулаторната батерия докрай, така че червеният индикатор да се скрие. В противен случай тя може неволно да изпадне от инструмента, което може да нарани вас или някого около вас.

⚠ВНИМАНИЕ: Не инсталирайте акумулаторната батерия със сила. Ако батерията не се движи свободно, тя не е била поставена правилно.

Система за защита на инструмента /акумулаторната батерия

Инструментът е оборудван със система за защита на инструмента/акумулаторната батерия. Тази система автоматично прекъсва захранването към електромотора, за да осигури по-дълъг живот на инструмента и акумулаторната батерия. Инструментът ще спре автоматично по време на работа, ако инструментът или батерията са поставени в едно от следните условия.

Претоварване:

Инструментът/батерията се използва по начин, който налага използването на прекалено много ток. В този случай изключете инструмента и спрете операцията, която претоварва инструмента. След това отново включете инструмента, за да продължите.

Прегряване:

Инструментът/батерията са прегрели. При това положение оставете инструмента/батерията да изстинее, преди да включите инструмента отново.

Ниско напрежение на батерията:

Оставащият в батерията капацитет е твърде малък, за да може да осигури работа на инструмента. В тази ситуация извадете и заредете батерията.

Защита срещу други причини:

Предпазната система е предназначена и за други причини, които може да повредят инструмента, и позволява автоматичното спиране на инструмента. Изпълнете всички следващи стъпки, за да отстраните причините, когато инструментът е прекъснал временно или спре по време на работа.

1. Изключете инструмента и след това отново го включете.
2. Заредете батерията(ите) или я/ги заменете със заредена(и) батерия(и).
3. Оставете инструмента и батерията(ите) да изстинат.

Ако не бъде постигнато подобрене чрез връщане на предпазната система в изходно положение, се свържете с местния сервизен център на Makita.

Индикация на оставащия капацитет на акумулаторната батерия

Само за акумулаторни батерии с индикатор

- **Фиг.3:** 1. Светлинни индикатори 2. Бутон за проверка

Натиснете бутона за проверка на акумулаторната батерия за показване на оставащия заряд на батерията. Светлинните индикатори ще светнат за няколко секунди.

Светлинни индикатори			Оставащ заряд на батерията
Свети	Изкл.	Мига	
			75% до 100%
			50% до 75%
			25% до 50%
			0% до 25%
			Заредете батерията.
			Батерията може да не работи правилно.

ЗАБЕЛЕЖКА: В зависимост от условията на употреба и околната температура е възможно показанието леко да се различават от действителния капацитет.

ЗАБЕЛЕЖКА: Първият (краен ляв) светлинен индикатор ще мига, когато системата за защита на батерията функционира.

Включване

⚠ВНИМАНИЕ: Преди да поставите акумулаторната батерия в инструмента, преместете превключвателя с плъзгач към страна „О“ и проверете дали пусковият прекъсвач се задейства правилно и се връща в позиция „OFF“ (ИЗКЛ.) при освобождаването му.

Когато превключвателят с плъзгач се премести към страна „О“:

За да включите инструмента, просто натиснете пусковия прекъсвач. За спиране отпуснете пусковия прекъсвач.

- **Фиг.4:** 1. Превключвател с плъзгач 2. Пусков прекъсвач

Когато превключвателят с плъзгач се премести към страна „I“:

Когато превключвателят с плъзгач се премести към страна „I“, пусковият прекъсвач автоматично се издърпва и прахосмучачката работи непрекъснато. За да спрете прахосмучачката, преместете превключвателя с плъзгач към страна „О“ и освободете пусковия прекъсвач.

- **Фиг.5:** 1. Превключвател с плъзгач 2. Пусков прекъсвач

Включване на лампата

⚠ВНИМАНИЕ: Не гледайте директно в светлинния източник.

За да включите лампата, стиснете пусковия прекъсвач или поставете плъзгачия превключвател в положение „I“.

По време на работа на прашосмукачката лампата свети. Лампата се изключва веднага след като спрете работа.

ЗАБЕЛЕЖКА: Когато оставащият капацитет на акумулаторната батерия спадне, лампата започва да мига. Моментът, когато лампата започва да мига, зависи от температурата в мястото на работа и от състоянието на акумулаторната батерия.

- **Фиг.6:** 1. Лампа 2. Плъзгач превключвател
3. Пусков прекъсвач

СГЛОБЯВАНЕ

⚠ВНИМАНИЕ: Преди да извършите някакви дейности по инструмента, задължително проверете дали той е изключен и акумулаторната батерия е извадена.

Описание на частите

Допълнителни аксесоари

Високопроизводителен филтър и опора и филтър-гъба

- **Фиг.7:** 1. Капсула 2. Високопроизводителен филтър 3. Опора 4. Филтър-гъба

Предварителен филтър или високопроизводителен филтър и НЕРА филтър

- **Фиг.8:** 1. Капсула 2. Предварителен филтър
3. Високопроизводителен филтър 4. НЕРА филтър

БЕЛЕЖКА: Не поставяйте допълнителен филтър (нетъкан текстил) под високопроизводителния филтър. Филтрите не могат да се свалят от прашосмукачката.

ЗАБЕЛЕЖКА: Не поставяйте допълнителен филтър (нетъкан текстил) между НЕРА филтъра и предварителния филтър. Засмукващата мощност може да намалее.

ЗАБЕЛЕЖКА: Винаги използвайте високопроизводителния филтър, чиято рамка е оригиналната проектирана опора, когато го поставяте върху НЕРА филтъра.

- **Фиг.9:** 1. Високопроизводителен филтър
2. Опора (проектирана за високопроизводителен филтър)

Изхвърляне на праха

⚠ВНИМАНИЕ: Изпразвайте прашосмукачката, преди да се препълни или да отслабне силата на засмукване.

⚠ВНИМАНИЕ: Непременно изпразвайте праха, който е вътре в самата прашосмукачка. Ако това не се прави, филтърът може да се задръсти или моторът да се повреди.

За отстраняване на праха, прилепнал към филтъра в капсулата, чукнете капсулата 4 или 5 пъти с ръка.

- **Фиг.10:** 1. Капсула

Насочете смукателния отвор надолу, завъртете капсулата по посока на стрелката на фигурата и отделете капсулата бавно и в права посока.

- **Фиг.11:** 1. Капсула 2. Отвор за засмукване

ЗАБЕЛЕЖКА: При отварянето на капсулата може да се разпилее прах, затова непременно поставете торбичка за боклук под капсулата.

Отстранете натрупания прах от вътрешната страна на капсулата и от високопроизводителния филтър.

- **Фиг.12:** 1. Капсула 2. Високопроизводителен филтър

Завъртете високопроизводителния филтър по посоката на стрелката, за да освободите закрепващото зъбче от прашосмукачката, и след това издърпайте филтъра.

- **Фиг.13:** 1. Закрепващо зъбче

ЗАБЕЛЕЖКА: Когато използвате предварителния филтър, изпълнявайте също и процедурата, описана по-горе.

Почистете финия прах и чукнете леко, за да се отдели прахът от високопроизводителния филтър.

Повторен монтаж

Свържете високопроизводителния филтър. В този момент непременно завъртете високопроизводителния филтър така, че закрепващото зъбче да бъде заключено здраво в прашосмукачката.

- **Фиг.14:** 1. Високопроизводителен филтър

- **Фиг.15:** 1. Закрепващо зъбче

БЕЛЕЖКА: Винаги проверявайте дали високопроизводителният филтър е поставен правилно, преди да работите с прашосмукачката. В противен случай в корпуса на мотора ще влиза прах и ще предизвика повреда на мотора. Ако възникне проблемът, както е описано по-нататък, високопроизводителният филтър не е поставен правилно. За да отстраните проблема, поставете филтъра правилно.

Прикрепете капсулата. Изравнете знака на капсулата със знака на дръжката и здраво завийте капсулата по посока на стрелката, докато се фиксира.

- **Фиг.16:** 1. Знак 2. Дръжка 3. Капсула

ЗАБЕЛЕЖКА: Винаги отстранявайте праха навреме, защото когато има прекалено много прах в прашосмукачката, смукателната мощност намалява.

Примери за проблеми

Закрепващото зъбче на високопроизводителния филтър не е фиксирано здраво в отвора на корпуса на прахосмукачката.

- **Фиг.17:** 1. Закрепващо зъбче 2. Отвор на корпуса на прахосмукачката

Монтиране или демонтиране на опората/НЕРА филтъра

Допълнителни аксесоари

За опората и филтъра-гъба

За да демонтирате опората, натиснете нагоре с пръсти долната част на стойката на опората и освободете нейния канал от издатината на прахосмукачката. След това демонтирайте филтъра-гъба.

- **Фиг.18:** 1. Опора 2. Филтър-гъба

За да монтирате, подравнете каналите на опората с издатината на прахосмукачката и натиснете, докато щракне.

Вмъкнете филтъра-гъба в стойката и го поставете в началното му положение.

За НЕРА филтъра

Когато монтирате НЕРА филтъра, поставете го така, че каналът му да съвпадне с издатината на прахосмукачката. След това поставете предварителния филтър или високопроизводителния филтър върху НЕРА филтъра и го завъртете, за да се закрепят. За да го демонтирате, изпълнете процедурата за монтиране в обратен ред.

- **Фиг.19:** 1. НЕРА филтър 2. Предварителен филтър

- **Фиг.20:** 1. НЕРА филтър
2. Високопроизводителен филтър

Експлоатация

⚠ВНИМАНИЕ: Лицето ви не трябва да попада в близост до вентилационния отвор, когато работите с прахосмукачката. Ако при издухването в очите попаднат чужди предмети, това може да доведе до нараняване.

Монтиране и демонтиране на приставки на прахосмукачката

⚠ВНИМАНИЕ: След монтиране на приставките проверете дали са надеждно монтирани. Ако приставките не са монтирани добре, те могат да изпаднат и да доведат до нараняване.

⚠ВНИМАНИЕ: Бъдете внимателни да не ударите ръката си в стената и др., когато сваляте приставките.

Когато се използва приставка със заключваща функция

За да монтирате приставката, поставете я в смукателния отвор на прахосмукачката така, че да щракне. Уверете се, че приставката е заключена.

- **Фиг.21:** 1. Смукателен отвор 2. Приставка със заключваща функция 3. Фиксатор 4. Освобождаващ бутон

БЕЛЕЖКА: Когато монтирате приставката със заключваща функция, не забравяйте да подравните освобождаващия бутон на прахосмукачката с фиксатора на приставката. Ако не са подравнени, приставката няма да се заключи и може да изпадне от прахосмукачката.

За да сваляте приставката, дръпнете я, като едновременно натискате освобождаващия бутон.

- **Фиг.22:** 1. Освобождаващ бутон 2. Приставка със заключваща функция

Когато се използва приставка без заключваща функция

⚠ВНИМАНИЕ: За да поставите приставка със заключваща функция, завъртете я и я пхнете по посоката на стрелката, за да се гарантира стабилна връзка по време на работа. За да разедините приставката, завъртете я и я извадете по посоката на стрелката. Ако приставката бъде завъртяна в обратната посока, капсулата може да се разхлаби.

- **Фиг.23**

Чистене (засмукване)

Накрайник

Поставете накрайника за почистване на маси, бюра, мебели и т.н. Този накрайник се поставя лесно.

- **Фиг.24:** 1. Накрайник

Накрайник + Удължител (права тръба)

Удължителят пасва между накрайника и самата прахосмукачка. Тази конфигурация е удобна за почистване на подове от изправено положение.

- **Фиг.25:** 1. Тяло на прахосмукачката
2. Удължителна тръба (права тръба)
3. Накрайник

Плосък накрайник

Поставете плоския накрайник за почистване на ъгли и тесни места в автомобил или мебели.

- **Фиг.26:** 1. Плосък накрайник 2. Тяло на прахосмукачката

Можете да съхранявате плоския накрайник в държача за накрайника.

- **Фиг.27:** 1. Държач за накрайник 2. Плосък накрайник

⚠ВНИМАНИЕ: Внимавайте да не прищипете пръста(ите) си между плоския накрайник и държача за накрайника. Прищипването на пръста(ите) може да предизвика нараняване.

Плосък накрайник + удължителна тръба (права тръба)

Използвайте тази конфигурация в тесни места, където самата прахосмукачка не влиза, или във високи труднодостъпни места.

► **Фиг.28:** 1. Плосък накрайник 2. Удължителна тръба (права тръба) 3. Тяло на прахосмукачката

Чистене без накрайник

Можете да събирате прах и прахообразни материали без накрайник.

► **Фиг.29**

При стандартна позиция за почистване на прах по пода е удобно да монтирате удължителната тръба към прахосмукачката.

► **Фиг.30:** 1. Удължителна тръба (права тръба)

ПОДДРЪЖКА

⚠ВНИМАНИЕ: Преди да проверявате или извършвате поддръжка на инструмента, се уверете, че той е изключен и акумулаторната батерия е извадена.

За да се поддържа БЕЗОПАСНОСТТА и НАДЕЖНОСТТА на продукта, ремонтите, поддръжката или регулирането трябва да се извършват от упълномощен сервиз или от фабрични сервизни центрове на Makita, като винаги трябва да се използват резервни части от Makita.

След работа

⚠ВНИМАНИЕ: Ако прахосмукачката бъде поставена срещу стена без друга опора, прахосмукачката може да падне и това да доведе до наранявания или повреда на прахосмукачката.

► **Фиг.31**

Почистване

⚠ВНИМАНИЕ: Почиствайте филтрите, когато се запушат. Ако продължавате да използвате прахосмукачката, докато те са запушени, това може да предизвика загряване или пожар.

БЕЛЕЖКА: Не използвайте бензин, нафта, разредител, спирт и др. подобни. Това може да причини обезцветяване, деформация или пукнатини.

БЕЛЕЖКА: Не издухвайте полепналия по прахосмукачката и филтрите прах с пистолет със сгъстен въздух. Така прахът ще навлезе в корпуса и ще доведе до повреда.

БЕЛЕЖКА: След измиване на филтрите, подсушете ги старателно, преди да ги използвате. Недостатъчно сухи филтри могат да предизвикат влошено засмукване и да намалят експлоатационния живот на мотора.

БЕЛЕЖКА: След почистване на филтрите и филтъра-гъба, не забравяйте да ги монтирате отново преди употреба. Ако използвате прахосмукачката без филтри и филтъра-гъба, прахът ще навлезе в корпуса на двигателя и ще причини неизправности.

Корпус на прахосмукачката

Периодично избърсвайте външно прахосмукачката (тялото на прахосмукачката) с кърпа, овлажнена със сапунена вода.

Почиствайте също и отвора за засмукване и монтажната зона на филтъра.

► **Фиг.32**

Високопроизводителен филтър

Измивайте филтъра със сапунена вода, ако се задръсти с прах и мощността на прахосмукачката намалее. Преди работа го подсушавайте грижливо.

► **Фиг.33**

НЕРА филтър

Допълнителни аксесоари

БЕЛЕЖКА: Не търкайте и не драскайте НЕРА филтъра с твърди предмети като четка или шпатула.

Запушен НЕРА филтър води до влошено засмукване. Почиствайте филтъра от време на време.

От време на време измивайте НЕРА филтъра с вода, изплаквайте го и преди употреба го изсушавайте напълно на сянка. Никога не мийте филтъра в перална машина.

► **Фиг.34**

Филтър-гъба

Когато филтърът-гъба се замърси, почистете го по следния начин.

1. Свалете филтрите, които покриват опората.
2. Издърпайте филтъра-гъба от стойката.
3. Почистете филтъра-гъба, като го изтупате или измиете. Ако го измиете, подсушете го грижливо преди работа.
4. Вмъкнете филтъра-гъба в стойката и го поставете в началното му положение. Погрижете се долният ръб на стойката да захване филтъра-гъба и да няма луфт между него и смукателния отвор.

► **Фиг.35:** 1. Филтър-гъба 2. Долен ръб на стойката

Стенна поставка за акумулаторна прахосмукачка

Допълнителни аксесоари

ЗАБЕЛЕЖКА: Винтът за монтиране на държача не е включен в комплекта. Подгответе винт, подходящ за материала, в който ще се завинтва.

Закрепете стенната поставка за акумулаторна прахосмукачка към стена от твърдо дърво, греда или колона, където поставката може да бъде монтирана стабилно. Преди да окачите акумулаторната прахосмукачка, винаги се уверявайте, че стенната й поставка е здраво закрепена.

► **Фиг.36:** 1. Стенна поставка за акумулаторна прахосмукачка

⚠ВНИМАНИЕ: Не окачвайте със сила прахосмукачката на поставката и не окачвайте там други уреди.

Отстраняване на неизправности

Преди да предприемете ремонт, проверете следните точки.

Симптом	Къде трябва да се проверява	Начин за отстраняване
Слаба мощност на засмукване	Пълна ли е капсулата с прах?	Изпразнете капсулата с прах.
	Задръстен ли е филтърът?	Почистете или измиете филтъра.
	Разредена ли е акумулаторната батерия?	Заредете акумулаторната батерия.
Не работи	Разредена ли е акумулаторната батерия?	Заредете акумулаторната батерия.
Шум и вибрации	Задръстен ли е филтърът?	Почистете или измиете филтъра.
	Задръстени ли са накрайникът, тръбата или смукателният отвор на уреда?	Отстранете предметите, задръстили накрайника, тръбата или смукателния отвор на уреда.
	Блокирано ли е съединението между накрайника и тръбата?	Не блокирайте съединението между накрайника и тръбата.

⚠ВНИМАНИЕ: Не се опитвайте да ремонтирате прахосмукачката сами.

ДОПЪЛНИТЕЛНИ АКСЕСОАРИ

⚠ВНИМАНИЕ: Препоръчва се използването на тези аксесоари или накрайници с вашия инструмент Makita, описан в настоящото ръководство. Използването на други аксесоари или накрайници може да доведе до опасност от телесни повреди. Използвайте съответния аксесоар или накрайник само по предназначение.

Ако имате нужда от помощ за повече подробности относно тези аксесоари, се обърнете към местния сервизен център на Makita.

- Удължител (права тръба)
- Накрайник
- Накрайник за килим
- Четка за полици
- Плосък накрайник

- Кръгла четка
- Гъвкав маркуч
- Филтър (нетъкан текстил)
- Предварителен филтър
- Високопроизводителен филтър
- НЕРА филтър
- Дюза със седло
- Накрайник за труднодостъпни места
- Стенна поставка за акумулаторна прахосмукачка
- Циклонен блок
- Накрайник „Циклон“
- Чанта за инструменти
- Оригинална акумулаторна батерия и зарядно устройство на Makita

ЗАБЕЛЕЖКА: Някои артикули от списъка може да са включени в комплекта на инструмента, като стандартни аксесоари. Те може да са различни в различните държави.

Накрайник „Циклон“

Допълнителни аксесоари

- **Фиг.37:** 1. Освобождаващ бутон 2. Фиксатор
3. Удължителна тръба (права тръба)
4. Накрайник „Циклон“ 5. Смукателен отвор

За накрайника „Циклон“

При използване на прахосмукачката с монтиран накрайник „Циклон“ количеството прах, влизащо в капсулата, намалява, което предотвратява отслабването на силата на всмукване. Заедно с това и почистването след използване е лесно.

⚠ВНИМАНИЕ: Преди да извършите някакви дейности по инструмента, задължително проверете дали той е изключен и акумулаторната батерия е извадена. Ако акумулаторната батерия е оставена вътре, прахосмукачката може да се задейства неочаквано и да доведе до нараняване.

⚠ВНИМАНИЕ: Почиствайте мрежестия филтър на накрайника „Циклон“ и филтрите на прахосмукачката, когато се запушат. Ако продължавате да използвате прахосмукачката, докато те са запушени, това може да предизвика загряване или поява на дим.

БЕЛЕЖКА: Когато е поставен накрайника „Циклон“, не използвайте прахосмукачката в хоризонтално положение или обърната нагоре. Ако го направите, мрежестият филтър може да се запуши.

БЕЛЕЖКА: Винаги използвайте прахосмукачката с монтирани филтри дори когато използвате накрайника „Циклон“. Използването на прахосмукачката без монтирани филтри може да доведе до неизправност на мотора.

ЗАБЕЛЕЖКА: Преди употреба проверете дали накрайникът „Циклон“, прахосмукачката и удължителната тръба (правата тръба) са заключени правилно.

ЗАБЕЛЕЖКА: Когато се събере прах, изпразнете контейнера за прах на накрайника „Циклон“ и капсулата на прахосмукачката. Ако продължите да използвате прахосмукачката, това ще доведе до отслабване на силата на засмукване.

ЗАБЕЛЕЖКА: Можете да използвате накрайника „Циклон“ без заключваща функция.

ЗАБЕЛЕЖКА: За монтиране или демониране на накрайника „Циклон“ вижте раздела „Поставяне и демониране на приставки на прахосмукачката“.

Изхвърляне на праха

Когато се събере прах до линията за максимално ниво на контейнера за прах, следвайте процедурата по-долу и изхвърлете праха.

1. Хванете здраво контейнера за прах, натиснете и задържете двата бутона, извадете контейнера за прах.

- **Фиг.38:** 1. Линия за максимално ниво
2. Контейнер за прах 3. Бутон (две местоположения) 4. Мрежест филтър

2. Отстранявайте праха от контейнера за прах, както и целия прах и прашинките, полепнали по повърхността на мрежестия филтър.

3. Напъхайте контейнера за прах докрай, докато двата бутона се заключат с щракване.

- **Фиг.39:** 1. Контейнер за прах 2. Бутон (две местоположения)

⚠ВНИМАНИЕ: При монтиране на контейнера за прах внимавайте да не прищипете пръстите си.

ЗАБЕЛЕЖКА: Преди да продължите работа, проверете дали накрайникът „Циклон“, прахосмукачката и удължителната тръба (правата тръба) са заключени правилно.

ЗАБЕЛЕЖКА: Ако силата на всмукване не се възстанови дори след отстраняването на праха и почистването на мрежестия филтър, проверете дали не се е натрупал прах в капсулата на прахосмукачката или дали няма запушване.

ЗАБЕЛЕЖКА: Праха може да се разлети при изхвърлянето ѝ от накрайника „Циклон“. Внимавайте праха да не попадне в очите ви.

Почистване

⚠ВНИМАНИЕ: След измиване на накрайника „Циклон“ го подсушете старателно, преди да го използвате. Недостатъчно подсушени компоненти може да доведат до токов удар или повреда на уреда.

Когато контейнерът за прах се замърси или мрежестият филтър се запуши, свалете ги и ги измийте с вода. (Вижте „Изхвърляне на праха“ относно процедурата за сваляне.)

Подсушете щателно частите преди повторното им монтиране и използване.

- **Фиг.40:** 1. Контейнер за прах 2. Мрежест филтър

Когато мрежестият филтър се замърси силно, почистете го чрез следните процедури.

1. Завъртете мрежестия филтър в посока на стрелката и го извадете, докато фиксаторите са отключени.

- **Фиг.41:** 1. Мрежест филтър 2. Фиксатор

2. Отстранете праха от мрежестия филтър и след това го измийте с вода. После го подсушете щателно.

3. Поставете мрежестия филтър в основата така, че фиксаторите да се подравнят с отвора. Завъртете мрежестия филтър в посока на стрелката, докато фиксаторите се заключат с щракване. Уверете се, че мрежестият филтър е монтиран стабилно.

- **Фиг.42:** 1. Мрежест филтър 2. Фиксатор 3. Отвор

UPOZORENJE

- Ovaj uređaj mogu upotrebljavati djeca u dobi od 8 i više godina i osobe sa smanjenim fizičkim, osjetilnim ili mentalnim sposobnostima ili s nedovoljnim iskustvom i znanjem ako su pod nadzorom ili su dobile upute za rukovanje uređajem na siguran način i razumiju moguće opasnosti.
- Djeci je zabranjeno igranje uređajem. Djeci je zabranjeno čistiti i provoditi korisničko održavanje bez nadzora.
- U poglavlju „SPECIFIKACIJE” potražite referencu o vrsti baterije.
- U odjeljku „Postavljanje ili uklanjanje baterijskog uložka” potražite upute za uklanjanje ili postavljanje baterije.
- Kada odlažete baterijski uložak u otpad, uklonite ga iz alata i zbrinite na sigurnom mjestu. Pridržavajte se lokalnih zakonskih propisa za zbrinjavanje baterija.
- Ako se alat ne upotrebljava dulje vrijeme, bateriju morate ukloniti iz alata.
- Nemojte kratko spajati baterijski uložak.
- U poglavlju „ODRŽAVANJE” potražite odgovarajuće informacije o mjerama opreza tijekom korisničkog održavanja.

SPECIFIKACIJE

Model:	DCL283F
Kapacitet	730 mL
Kontinuirana upotreba (s baterijom BL1830B)	Pribl. 10 min
Ukupna dužina (s cijevi, mlaznicom i akumulatorom BL1830B)	1.066 mm
Nazivni napon	DC 18 V
Neto težina	1,3 - 1,7 kg

- Zahvaljujući našem stalnom programu razvoja i istraživanja, navedene specifikacije podložne su promjenama bez obavijesti.
- Specifikacije mogu biti različite ovisno o zemlji.
- Težina ne uključuje dodatni pribor osim baterijskih uložaka. U tablici su prikazane najveća i najmanja ukupna težina uređaja i baterijskih uložaka.

Odgovarajući baterijski uložak i punjač

Baterija	BL1815N / BL1820B / BL1830B / BL1840B / BL1850B / BL1860B
Punjač	DC18RC / DC18RD / DC18RE / DC18SD / DC18SE / DC18SF / DC18SH / DC18WC

- Neki od navedenih baterijskih uložaka i punjača možda neće biti dostupni ovisno o regiji u kojoj se nalazite.

⚠ UPOZORENJE: Upotrebljavajte samo navedene baterijske uloške i punjače. Upotreba bilo koje druge vrste baterijskih uložaka i punjača može prouzročiti ozljede i/ili požar.

Simboli

U nastavku su prikazani simboli koji se upotrebljavaju za opremu. Prije korištenja provjerite jeste li razumjeli njihovo značenje.



Pročitajte priručnik s uputama.



Reprezentativna baterija primjenjiva na ovaj proizvod.



Ni-MH
Li-Ion

Samo za države EU
Zbog prisutnosti opasnih komponenti u opremi, otpadna električna i elektronička oprema, akumulatori i baterije i mogu imati negativan učinak na okoliš i ljudsko zdravlje.
Nemojte odlagati električne i elektroničke uređaje ili baterije s ostalim kućanskim otpadom!
U skladu s Europskom direktivom o otpadnoj električnoj i elektroničkoj opremi, o akumulatorima i baterijama te o otpadnim akumulatorima i baterijama, i njenoj prilagodbi nacionalnim zakonima, otpadna električna oprema, baterije i akumulatori trebali bi se pohranjivati zasebno i isporučivati u odvojena sabirna mjesta za komunalni otpad, koja postupaju u skladu s uredbama o zaštiti okoliša.
To je naznačeno simbolom prekrizižene kante za otpad na kotačima koja je postavljena na opremi.

Namjena

Alat je namijenjen za skupljanje suhe prašine.

SIGURNOSNA UPOZORENJA

Sigurnosna upozorenja za bežični usisavač

⚠ UPOZORENJE: VAŽNO POZORNO PROČITAJTE sva sigurnosna upozorenja i sve upute **PRIJE UPOTREBE**. Nepridržavanje upozorenja ili uputa može rezultirati strujnim udarom, požarom i/ili ozbiljnim ozljedama.

1. Nemojte izlagati kiši. Pohranite u zatvorenom prostoru.
2. Ne dopustite da se koristi kao igračka. Posebno pazite kad ga koriste djeca ili kad se koristi u blizini djece.
3. Koristite samo na način opisan u ovom priručniku. Koristite isključivo preporučene dodatke proizvođača.
4. Ne koristite s oštećenom baterijom. Ako uređaj ne radi kako bi trebao ili je pao, bio oštećen, ostavljen na otvorenom ili ispušten u vodu, vratite ga u servis.
5. Nemojte rukovati uređajem mokrim rukama.

6. Ne stavljajte predmete u otvore. Ne koristite s blokiranim otvorima, zaštitite ga od prašine, dlačica, kose i bilo čega drugoga što bi moglo smanjiti protok zraka.
7. Držite kosu, široku odjeću i sve dijelove tijela dalje od otvora i pomičnih dijelova.
8. Isključite sve kontrole prije uklanjanja baterije.
9. Posebno pazite kad čistite stube.
10. Ne koristite za skupljanje zapaljivih tekućina kao što je benzin i ne koristite na mjestima gdje se one mogu nalaziti.
11. Za punjenje koristite isključivo isporučeni punjač proizvođača.
12. Ne usisavajte tvari koje gore ili se dime, kao što su cigarete, šibice ili vrući pepeo.
13. Ne koristite bez postavljene vreće za prašinu i/ili filtera.
14. Ne punite bateriju na otvorenom.
15. Baterije punite isključivo punjačem koji preporučuje proizvođač. Punjač koji je prikladan za jednu vrstu baterija može uzrokovati opasnost od požara ako se koristi za drugu vrstu baterija.
16. Uređaje upotrebljavajte isključivo s posebnom namijenjenom vrstom baterijskog uložaka. Upotreba bilo kojeg drugog baterijskog uložaka može izazvati rizik od ozljeda i požara.
17. Kad se ne koristite baterijama, držite ih podalje od drugih metalnih predmeta poput spjalica, kovanica, ključeva, čavala, vijaka i drugih sitnih metalnih predmeta koji mogu uzrokovati spoj između polova.
18. Pod djelovanjem sile tekućina može iscuriti iz baterije; izbjegavajte kontakt. Ako slučajno dođe do kontakta, isperite vodom.
19. Nemojte upotrebljavati baterijski uložak ili uređaj ako su oštećeni ili preinačeni. Oštećene ili preinačene baterije mogu se neočekivano ponasati te prouzročiti požar, eksploziju ili ozljede.
20. Nemojte izlagati baterijski uložak ili uređaj plamenu ili prekomjernoj temperaturi. Izlaganje plamenu ili temperaturi višoj od 130 °C može prouzročiti eksploziju.
21. Pridržavajte se svih uputa za punjenje i nemojte puniti baterijski uložak ili uređaj izvan temperaturnog raspona navedenog u uputama. Neispravno punjenje ili punjenje pri temperaturama izvan navedenog raspona mogu oštetiti bateriju i povećati opasnost od požara.

ČUVAJTE OVE UPUTE.

DODATNA SIGURNOSNA PRAVILA

Ovaj je uređaj namijenjen za kućnu uporabu.

1. Pažljivo pročitajte ovaj priručnik s uputama i priručnik s uputama za punjač prije uporabe.
2. Ne usisavajte sljedeće materijale:
 - Vruće tvari koje gore ili se dime (cigarete, šibice, mirisni štapići, svijeće, vrući pepeo), iskre i metalna prašina nastala rezanjem ili brušenjem metala itd.
 - Zapaljiva tekućina (kerozin, benzin, otapala poput benzina, razrjeđivač itd.)
 - Zapaljivi materijal (toner, boja, sprej itd.)

- Eksplozivne ili piroforne tvari (nitroglicerina, aluminij, magnezij, titanij, cink, crveni fosfor, žuti fosfor, celulozid itd. i njihova prašina, plin ili para)
 - Tekućina, ulje, mokra prijavština ili vlažna smeće, uključujući bljuvotinu i izmet
 - Tvrdi dijelovi s oštrim rubovima (komađići drva, metali, kamenje, staklo, čavli, pribadače, britve ili jedaći pribor)
 - Stvrdnjavajući i vodljivi fini prah (metalni ili ugljični prah)
 - Pjena poput sredstva za čišćenje tepiha itd. (mogu izazvati eksploziju ili požar)
 - Velika količina praha (brašno, prah za gašenje požara itd.)
 - Tvari koje uzrokuju simptome toksičnosti
 - Agresivne kemikalije (kiselina, lužine itd.)
 - Fini vezivni prah kao što je cement
 - Sitne čestice kao što je prašina betona
 - Desikanti
 - Azbest
 - Pesticidi
- Takve radnje mogu prouzročiti požar, ozljedu i/ili štetu na imovini.
- Kako biste smanjili svoju izloženost ovim kemikalijama, uvijek nosite odobrenom zaštitu dišnih putova kao što su maske za prašinu posebno dizajnirane za filtriranje mikroskopskih čestica. Usmjerite ispušni zrak dalje od svog lica i tijela.
3. **Odmah prestanite s radom ako primijetite nešto neobično.**
 4. **Ako ispustite ili udarite usisivač, pažljivo provjerite ima li pukotina ili oštećenja prije rada s njime.**
 5. **Ne približavajte ga štednjacima i drugim izvorima topline.**
 6. **Ne blokirajte ulaznu rupu ili ventilacijske rupe.**

ČUVAJTE OVE UPUTE.

Važne sigurnosne upute za bateriju

1. **Prije uporabe baterije pročitajte sve upute i oznake upozorenja na (1) punjaču za baterije, (2) bateriji i (3) proizvodu koji koristi bateriju.**
 2. **Nemojte rastavljati ili izmjenjivati baterijski uložak.** To može dovesti do požara, pretjeranog zagrijavanja ili eksplozije.
 3. **Ako se vrijeme rada znatno skratilo, odmah prestanite raditi.** Može doći do pregrijavanja, mogućih opekline pa čak i eksplozije.
 4. **Ako vam elektrolit dospije u oči, isperite ih čistom vodom i odmah se obratite liječniku.** Tako možete izgubiti vid.
 5. **Nemojte kratko spojati bateriju:**
 - (1) **Ne dovodite terminale u kontakt s provodljivim materijalima.**
 - (2) **Ne čuvajte bateriju u spremniku s drugim metalnim predmetima poput čavala, kovanica itd.**
 - (3) **Ne izlažite bateriju vodi ili kiši.**
- Kratki spoj baterije može uzrokovati velik protok struje, pregrijavanje, moguće opekline pa čak i kvar.
6. **Ne držite i ne upotrebljavajte alat i baterijski uložak na mjestima gdje temperatura može premašiti 50 °C (122 °F).**
 7. **Ne spajajte bateriju čak ni ako je ozbiljno oštećena ili potpuno istrošena.** Baterija može eksplodirati u vatri.
 8. **Nemojte zabijati čavle u baterijski uložak, rezati ga, gnječiti, bacati ili udarati tvrdim predmetom.** Ti postupci mogu dovesti do požara, pretjeranog zagrijavanja ili eksplozije.
 9. **Ne koristite oštećene baterije.**
 10. **Sadržane litij-ionske baterije podliježu odredbama zakonskih propisa o opasnim tvarima.** Kada se radi o komercijalnom transportu koji obavljaju npr. dobavljači ili špediteri, moraju se poštovati posebni zahtjevi na pakiranju i oznakama. Prilikom pripreme isporuke takve stavke potražite savjet stručnjaka za opasne tvari. Pogledajte i moguće detaljnije nacionalne propise. Prekrijte trakom ili zaštitite otvorene kontakte i bateriju zapakirajte tako da se ne može pomicati u pakiranju.
 11. **Kada odlažete baterijski uložak u otpad, uklonite ga iz alata i zbrinite na sigurnom mjestu. Pridržavajte se lokalnih zakonskih propisa za zbrinjavanje baterija.**
 12. **Upotrebljavajte baterije samo s proizvodima koje je odobrila tvrtka Makita.** Umetanje baterija u neprikladne proizvode može dovesti do požara, prekomjerne topline, eksplozije ili curenja elektrolita.
 13. **Ako se alat ne upotrebljava dulje vrijeme, bateriju morate ukloniti iz alata.**
 14. **Tijekom i nakon upotrebe baterijski uložak može se zagrijati i prouzročiti opekline višeg ili nižeg stupnja. Pažljivo rukujte vrućim baterijskim uložcima.**
 15. **Nemojte dirati priključak alata neposredno nakon upotrebe jer se može zagrijati toliko da prouzroči opekline.**
 16. **Nemojte dopustiti da krhotine, prašina ili zemlja zapnu u priključcima, otvorima i utorima baterijskog uložka.** To može dovesti do pregrijavanja, zapaljenja, eksplozije ili kvara na uređaju ili baterijskom uložku, što može prouzročiti opekline ili osobne ozljede.
 17. **Ako alat ne podržava upotrebu u blizini visokonaponskih električnih vodova, nemojte upotrebljavati baterijski uložak u blizini visokonaponskih električnih vodova.** To može dovesti do neispravnog rada ili kvara alata ili baterijskog uložka.
 18. **Bateriju čuvajte podalje od djece.**

ČUVAJTE OVE UPUTE.

▲OPREZ: Uvijek upotrebljavajte originalne baterije Makita. Upotreba baterija koje nisu originalne baterije Makita ili su izmijenjene može dovesti do rasprskavanja baterije i uzrokovati požar, tjelesnu ozljedu ili štetu. To će također poništiti jamstvo tvrtke Makita za alat i punjač Makita.

Savjeti za održavanje najduljeg vijeka trajanja baterije

1. **Napunite bateriju prije nego što se potpuno isprazni. Uvijek zaustavite alat i napunite bateriju kad primijetite da alat slabije radi.**
2. **Nikad ne punite već do kraja napunjenu bateriju. Pretjerano punjenje skraćuje radni vijek baterije.**
3. **Bateriju puniti na sobnoj temperaturi između 10 °C i 40 °C. Vruću bateriju prije punjenja ostavite da se ohladi.**
4. **Kada ne upotrebljavate baterijski uložak, uklonite ga iz alata ili punjača.**
5. **Napunite bateriju ako je ne mislite koristiti duže vrijeme (duže od 6 mjeseci).**

FUNKCIONALNI OPIS

⚠ OPREZ: Prije podešavanja ili provjere rada alata obavezno provjerite je li stroj isključen i baterija uklonjena.

⚠ OPREZ: Pazite da prilikom punjenja baterije ne prignječite prste između usisavača i baterije kako je prikazano na crtežu. Prignječenje prsta može prouzročiti ozljedu.

► SI.1

Umetanje ili uklanjanje baterije

⚠ OPREZ: Uvijek isključite alat prije umetanja ili uklanjanja baterije.

⚠ OPREZ: Čvrsto držite alat i bateriju pri umetanju ili uklanjanju baterije. Ako alat i bateriju ne držite čvrsto, mogli bi vam iskliznuti iz ruku te oštetiti alat i bateriju ili uzrokovati osobnu ozljedu.

Za uklanjanje bateriju gurnite van iz alata pritiskom gumba na prednjoj strani uloška.

► SI.2: 1. Crvena oznaka 2. Gumb 3. Baterija

Za umetanje baterijskog uloška poravnajte jezičac na baterijskom ulošku s utorom na kućištu i gurnite ga na mjesto. Umetnite bateriju skroz do kraja dok ne sjedne na svoje mjesto uz mali klik. Ako možete vidjeti crvenu oznaku kao što je prikazano na slici, ona nije do kraja sjela na svoje mjesto.

⚠ OPREZ: Uvijek umetnite baterijski uložak do kraja tako da ne možete vidjeti crvenu oznaku. U suprotnom može slučajno ispasti iz alata, što može dovesti do ozljede vas ili nekog u blizini.

⚠ OPREZ: Ne umećite bateriju silom. Ako baterija ne klizne lagano, znači da nije ispravno umetnuta.

Sustav zaštite alata/baterije

Alat je opremljen sustavom zaštite alata/baterije. Sustav automatski prekida napajanje motora da bi produžio vijek trajanja alata i baterije. Alat automatski prestaje raditi ako se alat ili baterija nađu u nekom od sljedećih uvjeta.

Pod opterećenjem:

Alat/baterija pri radu crpi iznimno veliku količinu struje. U tom slučaju isključite alat i prekinite radnje koje su izazvale preopterećenje alata. Zatim uključite alat kako biste ga pokrenuli.

Pregrijavanje:

Alat/baterija se pregrijala. U toj situaciji pustite da se alat/baterija ohladi, a tek onda opet uključite alat.

Slab napon baterije:

Preostali kapacitet baterije prenizak je i alat neće raditi. U tom slučaju uklonite i napunite bateriju.

Zaštita od ostalih uzroka:

Sustav zaštite napravljen je i za ostale uzroke koji bi mogli oštetiti alat i omogućuje automatsko zaustavljanje alata. Poduzmite sve sljedeće korake da biste otklonili uzroke kada je alat privremeno zaustavljen ili prestao s radom.

1. Isključite alat pa ga ponovno uključite da biste ga pokrenuli.
2. Napunite jednu ili više baterija ili ih zamijenite napunjenim baterijama.
3. Pustite da se alat i jedna ili više baterija ohlade.

Ako obnavljanje sustava zaštite nije dovelo do poboljšanja, obratite se lokalnom servisnom centru tvrtke Makita.

Prikaz preostalog kapaciteta baterije

Samo za baterijske uloške s indikatorom

► SI.3: 1. Žaruljice indikatora 2. Gumb za provjeru

Pritisnite gumb za provjeru na bateriji kako biste provjerili preostali kapacitet baterije. Žaruljica indikatora zasvijetlit će na nekoliko sekundi.

Žaruljice indikatora			Preostali kapacitet
Svijetli	Isključeno	Treperi	
			75 % do 100 %
			50 % do 75 %
			25 % do 50 %
			0 % do 25 %
			Napunite bateriju.
			Baterija je možda neispravna.

NAPOMENA: Ovisno o uvjetima upotrebe i temperaturi okoline, prikaz indikatora može se donekle razlikovati od stvarnog kapaciteta.

NAPOMENA: Prva (krajnja lijeva) žaruljica indikatora treperit će dok radi sustav za zaštitu baterije.

Uključivanje i isključivanje

⚠ OPREZ: Prije umetanja baterijskog uloška u alat postavite klizni prekidač u položaj „O” i provjerite radi li uključno/isključna sklopka ispravno i vraća li se u isključeni položaj nakon otpuštanja.

Ako je klizni prekidač postavljen u položaj „O”: Za pokretanje alata jednostavno povucite prekidač za uključivanje/isključivanje. Za zaustavljanje alata otpustite prekidač za uključivanje/isključivanje.

► **SI.4:** 1. Klizni prekidač 2. Uključno/isključna sklopka

Ako je klizni prekidač postavljen u položaj „I”:

Kada je klizni prekidač postavljen u položaj „I”, uključno/isključna sklopka automatski se povlači, a usisivač nastavlja raditi. Da biste zaustavili usisivač, postavite klizni prekidač u položaj „O” i otpustite uključno/isključnu sklopku.

► **SI.5:** 1. Klizni prekidač 2. Uključno/isključna sklopka

Uključivanje žaruljica

⚠ OPREZ: Nemojte izravno gledati u svjetlo ili izvor svjetlosti.

Za uključivanje žaruljice ili pritisnite uključno/isključnu sklopku ili postavite klizni prekidač u položaj „I”. Dok je usisivač pokrenut, žaruljica je uključena. Žaruljica se isključuje odmah nakon što prestanete s radom.

NAPOMENA: Kad je preostali kapacitet baterije nizak, žaruljica počinje treperiti. Vrijeme kada će žaruljica početi treperiti ovisi o temperaturi radnog mjesta i uvjetima baterije.

► **SI.6:** 1. Žaruljica 2. Klizni prekidač 3. Uključno/isključna sklopka

MONTAŽA

⚠ OPREZ: Prije izvođenja bilo kakve radnje na alatu obavezno provjerite je li stroj isključen i baterija uklonjena.

Opis dijelova

Dodatni pribor

Filtar visoke učinkovitosti i filtari podupiračem i spužvom

► **SI.7:** 1. Kapsula 2. Filtar visoke učinkovitosti
3. Podupirač 4. Spužvasti filtari

Predfiltar ili filtari visoke učinkovitosti i HEPA filtari

► **SI.8:** 1. Kapsula 2. Predfiltar 3. Filtar visoke učinkovitosti 4. HEPA filtari

NAPOMENA: Nemojte podlagati filtari visoke učinkovitosti dodatnim filtrom (netkano platno). Filtri se nisu mogli izvaditi iz usisavača.

NAPOMENA: Ne postavljajte dodatni filtari (netkano platno) između HEPA filtra i pred filtra. Usisna snaga može biti smanjena.

NAPOMENA: Uvijek koristite filtari visoke učinkovitosti koji je uokviren originalno dizajniranim podupiračem kada ga podlažete na HEPA filtari.

► **SI.9:** 1. Filtar visoke učinkovitosti 2. Podupirač (konstruiran za filtari visoke učinkovitosti)

Odlaganje prašine

⚠ OPREZ: Ispraznite usisivač prije nego se napuni ili će snaga usisa oslabiti.

⚠ OPREZ: Pazite da uklonite prašinu iz unutrašnjosti samog usisavača. Ako to ne napravite, filtari će se začepiti ili će se oštetiti motor.

Da biste uklonili prašinu koja se uhvatila na filtru u kapsuli, 4 ili 5 puta lagano lupnite kapsulu rukom.

► **SI.10:** 1. Kapsula

Okrenite otvor za usis prema dolje, okrenite kapsulu u smjeru strelice na crtežu i polako i ravno odvojite kapsulu.

► **SI.11:** 1. Kapsula 2. Otvor za usis

NAPOMENA: Prašina bi mogla ispasti kada se kapsula otvori pa svakako pod kapsulu podmetnite vrećicu za smeće.

Uklonite nakupljenu prašinu iz kapsule i filtra visoke učinkovitosti.

► **SI.12:** 1. Kapsula 2. Filtar visoke učinkovitosti

Zakrenite filtari visoke učinkovitosti u smjeru strelice da biste otpustili zaštitni rub s usisavača te skinite filtari.

► **SI.13:** 1. Zaštitni rub

NAPOMENA: Pri upotrebi pred filtra također slijedite gore navedeni postupak.

Uklonite sitne čestice prašine i lagano lupnite da biste izbacili prašinu s filtra visoke učinkovitosti.

Rastavljanje

Spojite filtari visoke učinkovitosti. Potom zakrenite filtari visoke učinkovitosti tako da se zaštitni rub čvrsto priljubi uz usisivač.

► **SI.14:** 1. Filtar visoke učinkovitosti

► **SI.15:** 1. Zaštitni rub

NAPOMENA: Prije uporabe usisavača uvijek provjerite je li filtari visoke učinkovitosti ispravno postavljen. Ako nije ispravno postavljen, prašina će ući u kućište motora i prouzročiti kvar motora. Ako se problem kasnije pojavi kako je opisano, filtari visoke učinkovitosti nije ispravno postavljen. Ponovno ga postavite na ispravan način kako biste otklonili problem.

Pričvrstite kapsulu. Poravnajte oznaku na kapsuli s oznakom na ručki i čvrsto zakrenite kapsulu u smjeru strelice dok se ne učvrsti.

► **SI.16:** 1. Oznaka 2. Ručka 3. Kapsula

NAPOMENA: Uvijek pravovremeno uklonite prašinu jer će se usisna snaga smanjiti ako u usisavaču ima previše prašine.

Primjeri problema

Zaštitni rub filtra visoke učinkovitosti nije čvrsto zategnut u žlijeb kućišta usisavača.

► **SI.17:** 1. Zaštitni rub 2. Žlijeb kućišta usisavača

Umetanje ili uklanjanje podupirača/HEPA filtra

Dodatni pribor

Za filter s podupiračem i spužvom

Da biste uklonili podupirač, gurnite donji dio stupića podupirača prstima i otpustite žlijeb s izbočenja na usisavaču. Nakon toga uklonite spužvasti filter.

► **SI.18:** 1. Podupirač 2. Spužvasti filter

Za umetanje poravnajte žljebove na podupiraču s izbočenjem na usisavaču i gurnite dok ne sjedne na svoje mjesto.

Umetnite spužvasti filter između stupića i postavite ga na izvorno mjesto.

Za HEPA filter

Pri umetanju HEPA filtra namjestite žlijeb HEPA filtra uz izbočenje na usisavaču. Zatim postavite predfilter ili filter visoke učinkovitosti na HEPA filter i zakrenite ga da biste ga učvrstili. Za uklanjanje učinite isto, ali obrnutim redoslijedom.

► **SI.19:** 1. HEPA filter 2. Predfilter

► **SI.20:** 1. HEPA filter 2. Filter visoke učinkovitosti

RAD

▲OPREZ: Ne približavajte lice otvoru za prozračivanje pri radu s usisavačem. Ako strana tijela dospiju u oči, to može prouzročiti ozljede.

Postavljanje i skidanje nastavaka usisavača

▲OPREZ: Nakon postavljanja nastavaka provjerite jesu li sigurno postavljeni. Ako se nastavci savršeno ne postavje, mogu se otpustiti i prouzročiti ozljedu.

▲OPREZ: Pazite da rukom ne udarite u zid i slično prilikom skidanja nastavaka.

Upotreba nastavka s funkcijom blokiranja

Nastavak postavite tako da ga umetnete u otvor za usis usisavača dok ne klikne. Provjerite je li nastavak završljen.

► **SI.21:** 1. Otvor za usis 2. Nastavak s funkcijom blokiranja 3. Kuka 4. Gumb za otpuštanje

NAPOMENA: Prilikom postavljanja nastavka s funkcijom blokiranja obavezno poravnajte gumb za otpuštanje na usisavaču s kukom na nastavku. Ako nisu poravnati, nastavak se neće blokirati i mogao bi ispasti s usisavača.

Da biste ga skinuli, povucite nastavak dok pritišćete gumb za otpuštanje.

► **SI.22:** 1. Gumb za otpuštanje 2. Nastavak s funkcijom blokiranja

Upotreba nastavka bez funkcije blokiranja

▲OPREZ: Da biste postavili nastavak bez funkcije blokiranja, zakrenite ga i umetnite u smjeru strelice kako bi bio dobro pričvršćen tijekom upotrebe. Nastavak skinite tako da ga zakrenete i izvučete u smjeru strelice. Ako nastavak zakrenete u suprotnom smjeru, kapsula bi se mogla odvojiti.

► **SI.23**

Čišćenje (usis)

Mlaznica

Pričvrstite mlaznicu za čišćenje stolova, namještaja i sl. Mlaznica se jednostavno postavlja.

► **SI.24:** 1. Mlaznica

Mlaznica + produžna cijev (ravna cijev)

Mjesto produžne cijevi je između mlaznice i usisavača. To omogućuje čišćenje podova dok stojite.

► **SI.25:** 1. Kućište usisavača 2. Produžna cijev (ravna cijev) 3. Mlaznica

Mlaznica za okvir

Postavite mlaznicu za okvir za čišćenje kutova i procjepa automobila ili namještaja.

► **SI.26:** 1. Mlaznica za okvir 2. Kućište usisavača

Mlaznicu za okvir možete pohraniti u držaču mlaznice.

► **SI.27:** 1. Držač mlaznice 2. Mlaznica za okvir

▲OPREZ: Pripazite da ne zaglavite prst(e) između mlaznice za okvir i držača mlaznice. Pripnječenje prsta može prouzročiti ozljedu.

Mlaznica za okvir + produžna cijev (ravna cijev)

Koristite ovaj raspored u uskim prostorima gdje ne možete raditi s usisavačem ili na visokim mjestima koja je teško doći.

► **SI.28:** 1. Mlaznica za okvir 2. Produžna cijev (ravna cijev) 3. Kućište usisavača

Čišćenje bez mlaznice

Prah i prašinu možete usisati bez mlaznice.

► **SI.29**

Za usisavanje prašine s poda dok stojite preporučujemo da spojite produžnu cijev s usisavačem.

► **SI.30:** 1. Produžna cijev (ravna cijev)

ODRŽAVANJE

⚠ OPREZ: Prije svih zahvata na stroju provjerite jeste li isključili stroj i uklonili bateriju.

Da biste zadržali SIGURNOST I POUZDANOST proizvoda, popravke i bilo koje druge radove održavanja ili namještanja trebali biste prepustiti ovlaštenim servisnim ili tvorničkim centrima tvrtke Makita, a rezervni dijelovi uvijek moraju biti originalni.

Nakon upotrebe

⚠ OPREZ: Oslanjanje usisavača na zid i bez kakve podrške može dovesti do pada usisavača pa može doći do ozljeda ili oštećenja usisavača.

► **SI.31**

Čišćenje

⚠ OPREZ: Očistite filtre kada se začepe. Njihova produljena upotreba kada su začepljeni može dovesti do zagrijavanja ili požara.

NAPOMENA: Nikada nemojte koristiti benzin, mješavinu benzina, razrjeđivač, alkohol ili slično. Kao rezultat toga može se izgubiti boja, pojaviti deformacija ili pukotine.

NAPOMENA: Nemojte ispuhivati prašinu koja se zalijepila za usisavač i filtre uz pomoć čistača s komprimiranim zrakom. Tako se prašina gura u kućište zbog čega dolazi do kvara.

NAPOMENA: Oprane filtre dobro osušite prije upotrebe. Nedovoljno suhi filtri mogu uzrokovati slab isis i skratiti vijek trajanja motora.

NAPOMENA: Očišćene filtre i spužvasti filter nemojte zaboraviti ponovno postaviti prije upotrebe. Ako upotrebljavate čistač bez filtera i spužvastog filtra, prašina ulazi u kućište motora i može uzrokovati kvar.

Kućište usisavača

Povremeno obrišite vanjski dio (kućište) usisavača tkaninom navlaženom u vodi sa sapunicom.

Očistite i usisni otvor i područje za postavljanje filtra.

► **SI.32**

Filter visoke učinkovitosti

Operite filter u vodi sa sapunicom kad se začepe s prašinom i kad se smanji snaga usisavanja. Temeljito ga osušite prije korištenja.

► **SI.33**

HEPA filter

Dodatni pribor

NAPOMENA: Nemojte trljati ili ribati HEPA filter tvrdim predmetima kao što su četka i lopatica.

Začepljeni HEPA filter uzrokuje slabije usisavanje. Filter povremeno čistite.

Povremeno HEPA filter operite vodom, isperite ga i do kraja osušite na zaklonjenom mjestu prije upotrebe. Filter nikad nemojte prati u perilici za rublje.

► **SI.34**

Spužvasti filter

Kad se spužvasti filter zaprlja, očistite ga na sljedeći način.

1. Uklonite filtre koji prekrivaju podupirač.
2. Izvucite spužvasti filter između stupića.
3. Spužvasti filter očistite lupkanjem ili pranjem. Ako ga perete, dobro ga osušite prije upotrebe.
4. Umetnite spužvasti filter između stupića i postavite ga na originalno mjesto. Provjerite je li spužvasti filter dobro učvršćen ispod donjeg ruba stupića te da nema razmaka između spužvastog filtra i usisnog otvora.

► **SI.35:** 1. Spužvasti filter 2. Donji rub stupića

Zidni nosač za bežični usisavač

Dodatni pribor

NAPOMENA: Vijak za pričvršćivanje nosača nije priložen. Pripremite vijak koji odgovara materijalu na koji će se pričvrstiti.

Postavite zidni nosač za bežični usisavač na tvrdi drveni zid, gredu ili stup, gdje ga je moguće dobro pričvrstiti. Uvijek provjerite je li zidni nosač za bežični usisavač sigurno pričvršćen prije vješanja usisavača.

► **SI.36:** 1. Zidni nosač za bežični usisavač

⚠ OPREZ: Nemojte prisilno vješati usisavač na zidni nosač i nemojte vješati druge uređaje osim usisavača.

Otklanjanje poteškoća

Prije nego što uređaj odnesete na popravak, provjerite sljedeće.

Simptom	Područje koje je potrebno istražiti	Ispravljanje problema
Slaba snaga usisa	Je li kapsula puna prašine?	Ispraznite kapsulu.
	Je li filter začepljen?	Očistite ili operite filter.
	Je li baterijski uložak prazan?	Napunite bateriju.
Ne radi	Je li baterijski uložak prazan?	Napunite bateriju.
Buka i vibracije	Je li filter začepljen?	Očistite ili operite filter.
	Jesu li mlaznica, cijev ili otvor za usis uređaja začepljeni?	Uklonite začepljenje iz mlaznice, cijevi ili otvara za usis uređaja.
	Jesu li mlaznica/usisna cijev blokirani?	Nemojte blokirati mlaznicu/usisnu cijev.

⚠ OPREZ: Ne pokušavajte sami popraviti usisavač.

DODATNI PRIBOR

⚠ OPREZ: Ovaj dodatni pribor ili priključci preporučuju se samo za upotrebu s alatom Makita navedenim u ovom priručniku. Upotreba bilo kojeg drugog dodatnog pribora ili priključaka može prouzročiti ozljede. Upotrebljavajte dodatni pribor ili priključak samo za njegovu navedenu svrhu.

Ako vam je potrebna pomoć za više detalja u pogledu ovih dodatnih pribora, obratite se najbližem Makita servisnom centru.

- Produžna cijev (ravna cijev)
- Mlaznica
- Mlaznica za tepih
- Četkica za police
- Mlaznica za okvir
- Okrugla četka
- Fleksibilno crijevo
- Filter (netkano platno)
- Prefilter
- Filter visoke učinkovitosti
- HEPA filter
- Mlaznica za sjedala
- Mlaznica za procjep
- Zidni nosač za bežični usisavač
- Ciklonska jedinica
- Nastavak ciklona
- Torba za alat
- Izvorna Makita baterija i punjač

NAPOMENA: Neke stavke iz popisa se mogu isporučiti zajedno sa strojem kao standardni dodatni pribori. Oni mogu biti različiti ovisno o zemlji.

Nastavak ciklona

Dodatni pribor

- **SI.37:** 1. Gumb za otpuštanje 2. Kuka 3. Produžna cijev (ravna cijev) 4. Nastavak ciklona 5. Otvor za usis

O nastavku ciklona

Upotreba usisavača s montiranim nastavkom ciklona smanjuje količinu prašine koja ulazi u kapsulu čime se sprečava slabljenje usisne snage. Osim toga, jednostavno je i čišćenje nakon upotrebe.

⚠ OPREZ: Prije izvođenja bilo kakve radnje na alatu obavezno provjerite je li stroj isključen i baterija uklonjena. Ako je baterijski uložak ostao umetnut, usisavač se može neočekivano pokrenuti i dovesti do ozljede.

⚠ OPREZ: Očistite mrežasti filter nastavka ciklona i filtre jedinice usisavača kada se oni začepe. Njihova produžena upotreba kada su začepljeni može dovesti do zagrijavanja ili dima.

NAPOMENA: Kada je priključen nastavak ciklona, usisavač nemojte upotrebljavati u vodoravnom ili uspravnom položaju. To bi moglo prouzročiti začepljenje mrežastog filtra.

NAPOMENA: Usisavač uvijek upotrebljavajte s postavljenim filterima, čak i kada upotrebljavate nastavak ciklona. Njegova upotreba bez filtera može dovesti do neispravnosti motora.

NAPOMENA: Prije upotrebe provjerite jesu li nastavak ciklona, usisavač i produžna cijev (ravna cijev) ispravno zavravljeni.

NAPOMENA: Ispraznite kutiju za prašinu nastavka ciklona i kapsulu usisavača kada se prašina nakupi. Produžena upotreba dovest će do slabljenja usisne snage.

NAPOMENA: Nastavak ciklona možete upotrebljavati i bez funkcije zavravljenja.

NAPOMENA: Način postavljanja ili skidanja nastavka ciklona pogledajte u dijelu „Postavljanje i skidanje nastavka usisavača“.

Odlaganje prašine

Kada se prašina nakupi do crte punog spremnika kutije za prašinu, pratite postupak u nastavku i odložite prašinu.

1. Čvrsto uhvatite kutiju za prašinu, držite pritisnutim dva gumba i skinite kutiju za prašinu.

► **SI.38:** 1. Crta punog spremnika 2. Kutija za prašinu
3. Gumb (dva položaja) 4. Mrežasti filter

2. Ispraznite prašinu iz kutije za prašinu i uklonite prašinu i prah koji su se zalijepili na površinu mrežastog filtra.

3. Umetnite kutiju za prašinu do kraja sve dok se dva ne zatvore uz klik.

► **SI.39:** 1. Kutija za prašinu 2. Gumb (dva položaja)

⚠ OPREZ: Kad ponovno sastavljate kutiju za prašinu, pazite da ne priklještite prste.

NAPOMENA: Prije ponovnog uključivanja provjerite jesu li nastavak ciklona, usisavač i produžna cijev (ravna cijev) ispravno zabravljani.

NAPOMENA: Ako se usisna snaga ne obnovi čak niti nakon vađenja prašine i čišćenja mrežastog filtra, provjerite je li se prašina nakupila u kapsuli usisavača ili je li došlo do začepljenja.

NAPOMENA: Prašina se može razletjeti prema gore prilikom vađenja prašine iz nastavka ciklona. Pripazite da vam prašina ne uleti u oči.

Čišćenje

⚠ OPREZ: Nakon pranja nastavka ciklona temeljito ga osušite prije upotrebe. Nedovoljno osušeni sastavni dijelovi mogu prouzročiti strujni udar ili oštećenje uređaja.

Kada se zaprlja kutija za prašinu ili se začepe mrežasti filter, skinite ih i operite vodom. (Postupak skidanja pogledajte u dijelu „Odlaganje prašine“.)

Dijelove potpuno osušite prije ponovnog postavljanja i upotrebe.

► **SI.40:** 1. Kutija za prašinu 2. Mrežasti filter

Kada se mrežasti filter jako zaprlja, očistite ga primjenjujući sljedeći postupak.

1. Okrenite mrežasti filter u smjeru strelice i skinite ga dok su kuke otključane.

► **SI.41:** 1. Mrežasti filter 2. Kuka

2. Uklonite prašinu s mrežastog filtra i operite ga vodom. Nakon tog temeljito ga osušite.

3. Umetnite mrežasti filter u postolje dok su kuke poravnate s priključkom. Okrećite mrežasti filter u smjeru strelice dok se kuke ne zaključaju klikom. Provjerite je li mrežasti filter ispravno postavljen.

► **SI.42:** 1. Mrežasti filter 2. Kuka 3. Ulaz

ПРЕДУПРЕДУВАЊЕ

- овој уред може да се користи од страна на деца на возраст од 8 години или постари и лица со намалени физички, сетилни или ментални капацитети или без доволно искуство и познавање ако се под надзор или им се даваат упатства за користење на уредот на безбеден начин и ги разбираат вклучените ризици.
- Децата не смеат да си играат со уредот. Чистењето и одржувањето од корисникот не смеат да се вршат од страна на деца без надзор.
- Погледнете го поглавјето „СПЕЦИФИКАЦИИ“ за референца на типот на батеријата.
- Погледнете го делот „Монтирање или отстранување на касетата за батеријата“ за начинот на отстранување или монтирање на батеријата.
- Кога ја фрлате во отпад касетата за батеријата, извадете ја од алатот и фрлете ја на безбедно место. Почитувајте ги локалните законски прописи што се однесуваат на фрлање во отпад на батеријата.
- Доколку алатот не се користи подолг временски период, батеријата мора да се извади од алатот.
- Не предизвикувајте спој на касетата за батеријата.
- Погледнете го поглавјето „ОДРЖУВАЊЕ“ за соодветни детали за мерките на претпазливост за време на одржувањето од корисникот.

СПЕЦИФИКАЦИИ

Модел:	DCL283F
Капацитет	730 mL
Континуирана работа (со батерија BL1830B)	Околу 10 мин.
Вкупна должина (со цевка, распрскувач и батерија BL1830B)	1.066 мм
Номинален напон	D.C. 18 V
Нето тежина	1,3 - 1,7 кг

- Поради нашата континуирана програма за истражување и развој, спецификациите тука подлежат на промена без најава.
- Спецификациите може да се разликуваат од држава до држава.
- Тежината не ги вклучува додатоците освен касетите за батерија. Најлесните и најтешките комбинации на тежина на уредот и касетите за батерија се прикажани во табелата.

Применлива касета за батерија и полнач

Касета за батерија	BL1815N / BL1820B / BL1830B / BL1840B / BL1850B / BL1860B
Полнач	DC18RC / DC18RD / DC18RE / DC18SD / DC18SE / DC18SF / DC18SH / DC18WC

- Некои од касетите за батерии и полначите наведени погоре може да не се достапни зависно од регионот во кој живеете.

▲ПРЕДУПРЕДУВАЊЕ: Користете ги само касетите за батерии и полначите наведени погоре. Користењето какви било поинакви касети за батерии и полначи може да создаде ризик од повреда и/или пожар.

Симболи

Долунаведените ги прикажуваат символите што може да се користат кај опремата. Пред употребата, проверете дали го разбирате нивното значење.



Прочитајте го упатството за користење.



Примерок на батеријата што се користи за овој производ.



Само за земјите на ЕУ
Поради присуство на опасни компоненти во опремата, отпадната електрична и електронска опрема, акумулаторите и батериите може да влијаат негативно врз животната средина и човековото здравје.

Не фрлајте ги електричните и електронските апарати или батериите во домашниот отпад!

Во согласност со Европската директива за фрлање електрична и електронска опрема, акумулатори, батери и отпадни акумулатори и батери, како и нивната адаптација во државниот закон, отпадната електрична опрема, батериите и акумулаторите треба да се чуваат одделно и да се достават на посебно место за собирање општински отпад, во согласност со прописите за заштита на животната средина.

Ова е означено со симболот на пречкртана корпа за отпадоци ставен на опремата.

Наменета употреба

Алатот е наменет за собирање сув прав.

БЕЗБЕДНОСНИ ПРЕДУПРЕДУВАЊА

Безбедносни предупредувања за безжичната правосмукалка

▲ ПРЕДУПРЕДУВАЊЕ: ВАЖНО!
ПРОЧИТАЈТЕ ГИ ВНИМАТЕЛНО сите безбедносни предупредувања и сите упатства ПРЕД УПОТРЕБА. Ако не се почитуваат предупредувањата и упатствата, може да дојде до струен удар, пожар и/или тешки повреди.

1. **Да не се изложува на дожд. Да се чува во затворена просторија.**
2. **Не дозволувајте да се користи како играчка. Кога се користи во близина на деца, потребно е да се обрне особено внимание.**
3. **Користете го само онака како што е опишано во ова упатство. Користете само додатоци што се одобрени од производителот.**
4. **Не користете оштетена батерија. Ако уредот не работи како што треба, бил испуштен, оштетен, оставен на отворено или паднал во вода, вратете го во сервисен центар.**

5. **Не ракувајте со уредот со влажни раце.**
6. **Не ставајте никакви предмети во отворите. Не користете го доколку кој било од отворите е блокиран; одржувајте го чист и без прав, текстилни влакненца, коса и што било друго што може да го намали протокот на воздух.**
7. **Држете ја косата, лабавата облека и сите делови од телото подалеку од отворите и подвижните делови.**
8. **Исклучете ги сите контроли пред да ја извадите батеријата.**
9. **Обрнете особено внимание кога чистите скали.**
10. **Не користете го за подигање запаливи или согорливи течности, како на пример, бензин, и не користете го во области каде што тие може да бидат присутни.**
11. **За полнење, користете го само полначот што е испорачан од страна на производителот.**
12. **Не подигајте ништо што гори или чади, како на пример, цигари, догорчиња или жежок пепел.**
13. **Н користете го без вреќа за прав и/или без поставени филтри.**
14. **Не полнете ја батеријата надвор.**
15. **Полнете само со полначот одреден од страна на производителот. Полнач што е соодветен за еден тип батерија може да создаде ризик од пожар кога се користи со друга батерија.**
16. **Користете уреди само со конкретно наменета батерија. Користењето други батерии може да создаде ризик од повреда или пожар.**
17. **Кога батеријата не се користи, држете ја настрана од други метални предмети, како што се спојувалки, монети, клучеви, шајки или други мали метални предмети што може да послужат како врска од еден на друг приклучок.**
18. **При неправилна употреба, од батеријата може да истече течност. Избегнувајте контакт со неа. Ако дојде до ненамерен контакт, измијте со вода.**
19. **Не користете батерии или уред што се оштетени или менувани. Оштетените или менуваните батерии може да прикажуваат непредвидливо однесување што резултира со оган, експлозија или опасност од повреда.**
20. **Не изложувајте ги батериите или уредот на оган или прекумерна температура. Изложеноста на оган или температура над 130 °C може да предизвика експлозија.**
21. **Следете ги сите упатства за полнење и не полнете ги батериите или уредот надвор од температурниот опсег наведен во упатството. Неправилното менување или менувањето на температури надвор од наведениот опсег може да ја оштети батеријата и да ја зголеми опасноста од оган.**

ЧУВАЈТЕ ГО УПАТСТВОТО.

ДОПОЛНИТЕЛНИ БЕЗБЕДНОСНИ ПРАВИЛА

Овој уред е наменет за употреба во домаќинството.

1. **Внимателно прочитајте ги ова упатство за употреба и упатството за употреба за полначот пред употребата.**
2. **Не подигајте ги следниве материјали:**
 - Топли материји што горат или се пушат (цигари, кибритчиња, мирзливни стапчиња, свеќи, врела пепел), искри и метална прашина создадена со сечење или мелење метал итн.
 - Запалива течност (керозин, бензин, растворувачи како што се бензин, разредувач итн.)
 - Запалив материјал (тонер, боја, спреј, итн.)
 - Експлозивни или пирогорни материји (нитроглицерин, алуминиум, магнезиум, титаниум, цинк, црвен фосфор, жолт фосфор, целулоид итн. и нивната прашина, гас или пареа)
 - Течност, масло, влажна нечистотија или влажно губре, вклучувајќи повраќање и екскрети
 - Тврди парчиња со остри рабови (дрвени деланки, метали, камења, чаши, шајки, игли, жилети или прибор за јадење)
 - Стврднувачки и спроводливи фин прав (метален или јаглороден прав)
 - Пена како средство за чистење теписи итн. (може да предизвикаат експлозија или пожар)
 - Голема количина прашок (брашно, прашок за гаснење пожар и сл.)
 - Супстанции кои предизвикуваат токсични симптоми
 - Агресивни хемикалии (киселина, алкали итн.)
 - Fino врзувачки прашок како цемент
 - Фини честички како бетонска прашина
 - Средства за сушење
 - Азбест
 - ПестицидиТаквите дејства може да предизвикаат пожар, повреда и/или оштетување на имотот. За да ја намалите изложеноста на овие хемикалии, секогаш носете одобрена респираторна заштита, како што се маски за прав, кои се специјално дизајнирани за филтрирање микроскопски честички. Насочете го издувниот воздух подалеку од лицето и телото.
3. **Ако забележите нешто абнормално, веднаш запрете со работа.**
4. **Ако ја испуштите или удриле правосмукалата, внимателно проверете дали на неа има пукнатини или оштетувања пред да продолжите со работа.**
5. **Не доближувајте го до печки или други топлински извори.**
6. **Не блокирајте ги доводната дупка и дупките за вентилација.**

ЧУВАЈТЕ ГО УПАТСТВОТО.

Важни безбедносни упатства за касета за батеријата

1. **Пред користење на касета за батеријата, прочитајте ги сите упатства и ознаки за претпазливост на (1) полначот за батеријата, (2) батеријата и (3) производот што ја користи батеријата.**
2. **Не расклопувајте ја, ниту експериментирајте со касета за батеријата.** Тоа може да резултира со оган, прекумерна топлина или експлозија.
3. **Ако оперативното времето станало прекумерно кратко, престанете веднаш со работа.** Тоа може да резултира со ризик од прегревање, можни изгореници, па дури и експлозија.
4. **Ако електролит навлезе во вашите очи, измијте ги со чиста вода и побарајте медицинска нега веднаш.** Тоа може да резултира со губење на вашиот вид.
5. **Не предизвикувајте спој на касета за батеријата.**
 - (1) **Не допирајте ги контактите со никаков проводлив материјал.**
 - (2) **Избегнувајте да ја чувате касета за батерија во сад со други метални предмети како што се шајки, монети и сл.**
 - (3) **На изложувајте ја касета за батеријата на вода или дожд.** Краткиот спој на батеријата може да предизвика голем проток на електрична енергија, прегревање, можни изгореници, па дури и пад на напојувањето.
6. **Не складирајте и не користете ги алатот и касета за батеријата на места каде што температурата може да достигне или надминува 50 °C (122 °F).**
7. **Не палете ја касета за батеријата дури и кога е многу оштетена или целосно потрошена.** Касета за батеријата може да експлодира ако се стави во оган.
8. **Не заковувајте ја, сечете ја, фрлајте ја, испуштајте ја касета за батерија, ниту удирајте ја од тврд предмет касета за батеријата.** Таквото однесување може да резултира со оган, прекумерна топлина или експлозија.
9. **Не користете оштетена батерија.**
10. **Содржаните батерии со литиумови јони се подложни на условите во Правилата за опасни предмети.** За комерцијален транспорт на пр. од трети лица и посредници, мора да се следат посебните услови на пакувањата или ознаките. При подготовка на предметот кој треба да се испрати, консултирајте се со експерт за опасни материјали. Исто така, следете ги потенцијално подеталните национални правила. Залепете ги со леплива лента или маскирајте ги отворените контакти, а батеријата спакувајте ја, така што нема да се движи слободно во пакувањето.
11. **Кога ја фрлате во отпад касета за батерија, извадете ја од алатот и фрлете ја на безбедно место.** Почитувајте ги локалните законски прописи што се однесуваат на фрлање во отпад на батеријата.

12. **Користете ги батериите само со производите назначени од Makita.** Монтирањето батерии на неусогласените производи може да резултира со пожар, прекумерна топлина, експлозија или истекување на електролитот.
13. **Доколку алатот не се користи подолг временски период, батеријата мора да се извади од алатот.**
14. **Пред и по употребата, касетата за батеријата може да прими топлина што може да предизвика изгореници или изгореници од ниска температура. Внимавајте како ракувате со жешките касети за батерии.**
15. **Не допирајте го терминалот на алатот непосредно по употребата бидејќи може да се загрее доволно за да предизвика изгореници.**
16. **Не дозволувајте деланки, прав или земја да се заглават во терминалите, отворите и жлебовите на касетата за батерија. Тоа може да предизвика греење, запалување, пукање и дефект на алатот или касетата за батерија, што ќе резултира со изгореници или телесна повреда.**
17. **Освен ако алатката не поддржува употреба на електричните далноводи со висок напон во близина, не користете ја касетата за батерија во близина на електричните далноводи со висок напон. Тоа може да резултира со дефект или пад на напојувањето на алатот или касетата за батерија.**
18. **Држете ја батеријата подалеку од деца.**

ЧУВАЈТЕ ГО УПАТСТВОТО.

⚠ВНИМАНИЕ: Користете само оригинални батерии на Makita. Користењето неоригинални батерии на Makita или батерии што се изменети може да резултира со распакување на батеријата, предизвикувајќи пожар, телесна повреда и оштетување. Тоа исто така ќе ја поништи гаранцијата на Makita за алатот и полначот на Makita.

Совети за одржување максимален работен век на батеријата

1. **Заменете ја касетата за батеријата пред целосно да се испразни. Секогаш запирајте ја работата со алатот и заменете ја касетата за батеријата кога ќе забележите дека алатот дава помала моќност.**
2. **Никогаш немојте да полните целосно полна касета за батерија. Прекумерното полнење го скратува работниот век на батеријата.**
3. **Полнете ја касетата за батеријата на собна температура од 10°C - 40°C. Дозволете загреаната касета за батерија да се олади пред да ја ставите на полнење.**
4. **Кога не ја користите касетата за батерија, извадете ја алатот или полначот.**
5. **Полнете ја касетата за батеријата доколку не ја користите подолго време (повеќе од шест месеци).**

ОПИС НА ФУНКЦИЈЕ

⚠ВНИМАНИЕ: Пред секое наредување или проверка на алатот, проверувајте дали е исклучен и батеријата е извадена.

⚠ВНИМАНИЕ: Внимавајте да не ги потфатите прстите помеѓу правосмукалката и батеријата, како што е прикажано на дијаграмот кога ја вметнувате батеријата. Фаќањето на прстите може да предизвика повреда.

► Сл.1

Монтирање или отстранување на касетата за батеријата

⚠ВНИМАНИЕ: Секогаш исклучувајте го алатот пред ставањето или вадењето на касетата за батеријата.

⚠ВНИМАНИЕ: Држете ги алатот и касетата за батеријата цврсто кога ја монтирате или вадите касетата за батеријата. Ако не ги држите цврсто алатот и касетата за батеријата, тие може да се лизнат од вашите раце и да дојде до нивно оштетување, како и до телесна повреда.

За да ја извадите касетата за батеријата, повлечете ја од алатот додека го лизгате копчето на предната страна на касетата.

► Сл.2: 1. Црвен индикатор 2. Копче 3. Касета за батерија

За монтирање на касетата за батерија, порамнете го јазичето на касетата за батерија со жлебот во куќиштето и лизнете го во место. Вметнете ја докрај додека не се блокира во место при што ќе се слушне звук. Ако можете да го видите црвениот индикатор како што е прикажано на сликата, не е целосно блокирана во место.

⚠ВНИМАНИЕ: Секогаш монтирајте ја касетата за батеријата целосно додека црвениот индикатор не се изгасне. Во спротивно, може ненадејно да испадне од алатот предизвикувајќи ви повреда вам или на некој друг околу вас.

⚠ВНИМАНИЕ: Немојте да ја монтирате касетата за батеријата на сила. Ако касетата не може да се лизне лесно, тоа значи дека не е поставена правилно.

Систем за заштита на алатот/ батеријата

Алатот е опремен со систем за заштита на алатот/ батеријата. Овој систем автоматски го прекинува напојувањето на моторот за да го продолжи работниот век на алатот и на батеријата. Алатот автоматски ќе се исклучи за време на работењето ако тој или батеријата се најдат под еден од следниве услови.

Преоптовареност:

Со алатот/батеријата се ракува на начин што предизвикува тој да повлекува ненормално висока електрична енергија.

Во таква ситуација, исклучете го алатот и запрете со примената која предизвикала негово преоптоварување. Потоа, повторно вклучете го алатот.

Прегреаност:

Прегреан алат/батерија. Во оваа ситуација, оставете алатот/батеријата да се олади пред повторно да го вклучите.

Низок напон на батеријата:

Преостанатиот капацитет на батеријата е премал и алатот не може да работи. Во оваа ситуација, извадете ја и наполнете ја батеријата.

Заштита од други причини:

Системот за заштита исто така е дизајниран за други причини што може да го оштетат алатот и овозможува тој да запре автоматски. Преземете ги сите следни чекори за да ги отстраните причините кога алатот е доведен до привремено запирање или престанување на работата.

1. Исклучете го алатот и потоа повторно вклучете го за да се рестартира.
2. Наполнете ја батеријата(ите) или заменете ја/ ги со наполнета батерија(и).
3. Оставете ги алатот и батеријата(ите) да се оладат.












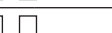


Доколку не дојде до подобрување со враќање на системот за заштита, контактирајте со локалниот сервисен центар на Makita.

Укажување на преостанатиот капацитет на батеријата

Само за батерии со индикатор

► Сл.3: 1. Индикаторски ламбички 2. Копче за проверка

Притиснете го копчето за проверка на касетата за батеријата за укажување на преостанатиот капацитет на батеријата. Индикаторските ламбички светнуваат неколку секунди.

Индикаторски ламбички			Преостанат капацитет
 Запалено	 Исклучено	 Трепка	
			75% до 100%
			50% до 75%
			25% до 50%
			0% до 25%
			Наполнете ја батеријата.
 ↑ ↓ 			Батеријата можеби е неисправна.

НАПОМЕНА: Во зависност од условите на користење и амбиенталната температура, индикацијата може да се разликува во мала мера од реалниот капацитет.

НАПОМЕНА: Првата (најлево) ламбичка на индикаторот ќе трепка кога работи системот за заштита на батеријата.

Вклучување

⚠ВНИМАНИЕ: Пред да ја вметнете касетата за батеријата во алатот, поставете го лизгачкиот прекинувач на страната „О“ и проверете дали прекинувачот за стартување функционира правилно и дали се враќа во положбата „OFF“ кога ќе се отпушти.

Кога лизгачкиот прекинувач е поставен на страната „О“:

За вклучување на алатот, едноставно повлечете го прекинувачот за стартување. Отпуштете го прекинувачот за стартување за да сопне.

► Сл.4: 1. Лизгачки прекинувач 2. Прекинувач

Кога лизгачкиот прекинувач е поставен на страната „I“:

Кога лизгачкиот прекинувач е поставен на страната „I“, прекинувачот за стартување автоматски се повлекува и правосмукалката продолжува со работење. За запирање на правосмукалката, поставете го прекинувачот за стартување на страната „О“ и отпуштете го прекинувачот за стартување.

► Сл.5: 1. Лизгачки прекинувач 2. Прекинувач

Вклучување на ламбата

⚠ВНИМАНИЕ: Не гледајте директно во светлината или во изворот на светлина.

За да ја вклучите ламбата или притиснете го прекинувачот за стартување или поставете го лизгачкиот прекинувач во положбата „I“.

Додека работи правосмукалката, ламбата е вклучена.

Ламбата ќе се исклучи веднаш кога ќе престанете со работа.

НАПОМЕНА: Кога преостанатиот капацитет на батеријата ќе дојде на ниско ниво, ламбата почнува да трепка. Времето во кое ламбата почнува да трепка зависи од температурата на работното место и условите на касетата за батерија.

► Сл.6: 1. Ламба 2. Лизгачки прекинувач 3. Прекинувач

СОСТАВУВАЊЕ

▲ ВНИМАНИЕ: Пред секое дотерување или проверка на алатот, секогаш проверувајте дали е исклучен и батеријата е извадена.

Опис на деловите

Опционален прибор

Филтер со високи перформанси и филтер со запирач и сунѓер

► Сл.7: 1. Капсула 2. Филтер со високи перформанси 3. Запирач 4. Сунѓерест филтер

Предфилтер или филтер со високи перформанси и НЕРА-филтер

► Сл.8: 1. Капсула 2. Предфилтер 3. Филтер со високи перформанси 4. НЕРА-филтер

ЗАБЕЛЕШКА: Не обложувајте го филтерот со високи перформанси со незадолжителен филтер (неткаено платно). Филтрите не можат да се отстранат од правосмукалката.

НАПОМЕНА: Не монтирајте незадолжителен филтер (неткаено платно) помеѓу НЕРА-филтерот и предфилтерот. Силата на смукање може да се намали.

НАПОМЕНА: Секогаш употребувајте го филтерот со високи перформанси што е врамен со оригинално дизајниран запирач при преклопување на НЕРА-филтерот.

► Сл.9: 1. Филтер со високи перформанси 2. Запирач (дизајниран за филтерот со високи перформанси)

Фрлање на правот во отпад

▲ ВНИМАНИЕ: Испразнете ја правосмукалката пред да се наполни прекумерно, во спротивно, ќе се намали силата на смукање.

▲ ВНИМАНИЕ: Испразнете го правот што се наоѓа внатре во самата правосмукалка. Во спротивно, филтерот може да се затне или моторот може да се оштети.

За да падне правот што е залепен на филтерот во капсулата, потчукнете ја капсулата 4 или 5 пати со вашата рака.

► Сл.10: 1. Капсула

Свртете го отворот за смукање надолу, свртете ја капсулата во насока на стрелката на дијаграмот, па бавно и рамномерно откачете ја капсулата.

► Сл.11: 1. Капсула 2. Отвор за смукање

НАПОМЕНА: Кога капсулата е отворена, може да се истури прав, затоа поставете вреќа за отпад под неа.

Отстранете го насобраниот прав од внатрешноста на капсулата и од филтерот со високи перформанси.

► Сл.12: 1. Капсула 2. Филтер со високи перформанси

Свртете го филтерот со високи перформанси во насока на стрелката за да го одвртите прстенот за прицврстување од единицата на чистачот, а потоа, извлечете го филтерот.

► Сл.13: 1. Прстен за прицврстување

НАПОМЕНА: Кога го користите предфилтерот, исто така следете ја постапката погоре.

Исчистете го ситниот прав и лесно потчукнете за да се отстрани правот од филтерот со високи перформанси.

Повторно склопување

Поврзете го филтерот со високи перформанси. Во овој момент, свиткајте го филтерот со високи перформанси за да се блокира прстенот за прицврстување цврсто во единицата на чистачот.

► Сл.14: 1. Филтер со високи перформанси

► Сл.15: 1. Прстен за прицврстување

ЗАБЕЛЕШКА: Секогаш проверувајте дали филтерот со високи перформанси е правилно поставен пред да започнете со употреба на правосмукалката. Ако не е правилно поставен, правот ќе влезе во кукиштето на моторот и ќе предизвика дефект на моторот. Ако проблемот како опишаниот се појави подоцна, тогаш филтерот со високи перформанси не е правилно поставен. Поставете го правилно одново за да го коригирате проблемот.

Прицврстете ја капсулата. Порамнете го знакот на капсулата со знакот на рачката, а потоа цврсто стегнете ја капсулата во насоката на стрелката додека не се прицврсти добро.

► Сл.16: 1. Ознака 2. Рачка 3. Капсула

НАПОМЕНА: Секогаш отстранувајте го правот пред користење, бидејќи силата на смукање ќе се намали ако има премногу прав во чистачот.

Примери на проблем

Прстенот за прицврстување на филтерот со високи перформанси не е цврсто блокиран во жлебот на кукиштето на правосмукалката.

► Сл.17: 1. Прстен за прицврстување 2. Жлеб на кукиштето на чистачот

Монтирање или вадење на филтерот со запирач/HEPA-филтерот

Опционален прибор

За филтерот со запирач и сунѓер

За да го извадите запирачот, притиснете го долниот дел од столпчињата на запирачот со прстите и отпуштете го неговиот жлеб од испакнатиот дел на правосмукалната. Потоа извадете го сунѓерестиот филтер.

► **Сл.18:** 1. Запирач 2. Сунѓерест филтер

За монтирање, порамнете ги жлебовите на запирачот со испакнатиот дел на правосмукалната и притискајте додека не кликне.

Вметнете го сунѓерестиот филтер меѓу столпчињата и поставете го во оригиналната позиција.

За HEPA-филтерот

Кога го монтирате HEPA-филтерот, поставете го жлебот на HEPA-филтерот со испакнатиот дел на правосмукалната. Потоа ставете го предфилтерот или филтерот со високи перформанси на HEPA-филтерот и завртете го за да се зацврсти. За вадење, следете ја постапката за монтирање по обратен редослед.

► **Сл.19:** 1. HEPA-филтер 2. Предфилтер

► **Сл.20:** 1. HEPA-филтер 2. Филтер со високи перформанси

РАБОТЕЊЕ

⚠ВНИМАНИЕ: Не движете го лицето блиску до отворот за вентилација кога работите со правосмукалната. Ако туѓи објекти навлезат во очите, може да резултираат со лична повреда.

Монтирање и вадење на додатоците за правосмукалка

⚠ВНИМАНИЕ: По монтирање на додатоците, проверете дали се цврсто монтирани. Доколку додатоците се монтирани неправилно, може да се откачат и да предизвикаат телесна повреда.

⚠ВНИМАНИЕ: Кога ќе ги вадите додатоците, внимавајте да не ја удриете раката од сидот или слично.

Кога користите додаток со функција за заклучување

За монтирање на додатокот, вметнете го во отворот за смукање на правосмукалната додека не кликне.

Погрижете се додатокот да се заклучи.

► **Сл.21:** 1. Отвор за смукање 2. Додаток со функција за заклучување 3. Кука 4. Копче за отпуштање

ЗАБЕЛЕШКА: Кога ќе го монтирате додатокот со функција за заклучување, порамнете го копчето за отпуштање на правосмукалната со куката на додатокот. Доколку не се порамнети, додатокот нема да се заклучи и може да се откачи од правосмукалната.

За вадење, повлечете го додатокот додека го притискате копчето за отпуштање.

► **Сл.22:** 1. Копче за отпуштање 2. Додаток со функција за заклучување

Кога користите додаток без функција за заклучување

⚠ВНИМАНИЕ: За да поврзете додаток без функција за заклучување, завртете го и вметнете го во насока на стрелката за да се обезбеди поврзувањето за време на работата. За да го откачите додатокот, завртете го и извадете го, исто така во насока на стрелката. Ако додатокот се заврти во противната насока, капсулата може да се олабави.

► **Сл.23**

Чистење (смукање)

Додаток

Приклучете го додатокот за чистење маси, бироа, мебел и сл. Додатокот лесно влегува на место.

► **Сл.24:** 1. Додаток

Додаток + издолжувач (права цевка)

Издолжувачот влегува помеѓу додатокот и самата правосмукалка. Овој распоред е погоден за чистење во стоечка положба.

► **Сл.25:** 1. Тело на правосмукалната 2. Продолжна цевка (права цевка) 3. Додаток

Приклучок за млазница

Поставете го приклучокот за млазницата за чистење на аплите и недостапните делови на автомобилот или мебелот.

► **Сл.26:** 1. Приклучок за млазница 2. Тело на правосмукалната

Приклучокот за млазницата може да се складира во држачот за додатокот.

► **Сл.27:** 1. Држач за додаток 2. Приклучок за млазница

⚠ВНИМАНИЕ: Внимавајте да не ги фатите прстите помеѓу приклучокот за млазницата и држачот за додатокот. Фаќањето на прстите може да предизвика повреда.

Приклучок за млазница + продолжна цевка (права цевка)

На тесни недостапни места, каде што правосмукалната не може да се протне или на високи недофатни места, користете го овој распоред.

► **Сл.28:** 1. Приклучок за млазница 2. Продолжна цевка (права цевка) 3. Тело на правосмукалната

Чистење без додаток

Може да собирате прашина и прав без додатокот.

► Сл.29

За собирање прав на подот или во стоечка положба, погодно е да прикачите продолжна цевка на правосмукалката.

► Сл.30: 1. Продолжна цевка (права цевка)

ОДРЖУВАЊЕ

▲ВНИМАНИЕ: Пред секоја проверка или одржување, секогаш проверувајте дали алатот е исклучен и касетата за батеријата е извадена.

За да се одржи БЕЗБЕДНОСТА и СИГУРНОСТА на производот, поправките, одржувањата или дотерувањата треба да се вршат во овластени сервисни или фабрички центри на Makita, секогаш со резервни делови од Makita.

По употреба

▲ВНИМАНИЕ: Ако ја потпрете правосмукалката на ѕид без никаква поддршка, таа може да падне, што ќе резултира со телесна повреда или оштетување на правосмукалката.

► Сл.31

Чистење

▲ВНИМАНИЕ: Чистете ги филтрите кога ќе се затнат. Континуираната употреба во затната состојба може да резултира со загревање или пожар.

ЗАБЕЛЕШКА: За чистење, не користете нафта, бензин, разредувач, алкохол или слично. Тие средства ја вадаат бојата и може да предизвикаат деформации или пукнатини.

ЗАБЕЛЕШКА: Не раздувајте го правот залепен на правосмукалката со помош на компримиран воздух. Со тоа ќе се внесе прав во куќиштето и ќе се предизвика дефект.

ЗАБЕЛЕШКА: По миењето, филтрите треба целосно да се исушат пред употреба. Недоволно исушените филтри може да предизвикаат намалување на моќта на смукање и скратување на работниот век на моторот.

ЗАБЕЛЕШКА: По чистењето на филтрите и сунѓерестиот филтер, не заборавајте повторно да ги монтирате пред употреба. Ако ја користите правосмукалката без филтрите и сунѓерестиот филтер, правот ќе влезе во куќиштето на моторот и ќе предизвика дефект.

Тело на правосмукалката

Од време на време бришете ја надворешноста (телото на правосмукалката) на правосмукалката со помош на крпа натопена во вода со сапуница. Исклучете ја и пределите кај отворот за смукање и областа за монтирање на филтрите.

► Сл.32

Филтер со високи перформанси

Ако го измиете филтерот со сапуница кога е затнат со прав, ќе се намали моќта на правосмукалката. Целосно исушете го пред употреба.

► Сл.33

HEPA-филтер

Опционален прибор

ЗАБЕЛЕШКА: Не тријте го и не гребете го HEPA-филтерот со тврди предмети, како на пример, четка или лопатче.

Затнатиот HEPA-филтер го отежнува смукањето. Одредете навреме, чистете го филтерот.

Повремено, мијте го HEPA-филтерот со вода, исплакнете го и оставете го целосно да се исуши под сенка пред употребата. Никогаш не мијте го филтерот во машина за перење.

► Сл.34

Сунѓерест филтер

Кога сунѓерестиот филтер ќе се извалка, исчистете го на следниов начин.

1. Отстранете ги филтрите што го покриваат запирачот.
 2. Извлечете го сунѓерестиот филтер од столпчињата.
 3. Исклучете го сунѓерестиот филтер со тапкање или миење. Ако го миете, целосно исушете го пред употреба.
 4. Вметнете го сунѓерестиот филтер меѓу столпчињата и поставете го во оригиналната позиција. Уверете се дека секоја долна ивица на столпчето го држи сунѓерестиот филтер надолу и дека нема слободен простор помеѓу сунѓерестиот филтер и отворот за смукање.
- Сл.35: 1. Сунѓерест филтер 2. Долна ивица на столпче

Сиден носач за безжична правосмукалка

Опционален прибор

НАПОМЕНА: Не е вклучен шрафот за монтирање на држачот. Подгответе шраф што одговара на материјалот во кој ќе се шрафи.

Поставете го сидниот носач за безжична правосмукалка на тврд дрвен сид, греда или столб, каде што сидниот носач за безжична правосмукалка може цврсто да се затегне. Пред да ја закачите правосмукалката, секогаш внимавајте сидниот носач за безжична правосмукалка добро да е прицврстен.

► Сл.36: 1. Сиден носач за безжична правосмукалка

▲ВНИМАНИЕ: Не закачувајте ја правосмукалката на сидниот носач со сила, ниту пак закачувајте други уреди освен правосмукалката.

Решавање проблеми

Пред да побарате поправка, проверете ги следниве точки.

Симптом	Подрачје што треба да се испита	Метод на зацврстување
Слаба сила на смукање	Дали капсулата е полна со прав?	Испразнете ја капсулата од прав.
	Дали филтерот е затнат?	Исчистете го или измијте го филтерот.
	Дали касетата за батерија е испразнета?	Променете ја касетата за батеријата.
Не работи	Дали касетата за батерија е испразнета?	Променете ја касетата за батеријата.
Бучава и вибрација	Дали филтерот е затнат?	Исчистете го или измијте го филтерот.
	Дали смукалната, цевката или отворот за смукање на уредот се затнати?	Извадете ги затнатите предмети во смукалната, цевката или отворот за смукање на уредот.
	Дали смукалната/отворот на цевката се блокирани?	Не блокирајте ги смукалната/отворот на цевката.

ВНИМАНИЕ: Не обидувајте се сами да ја поправате правосмукалната.

ОПЦИОНАЛЕН ПРИБОР

ВНИМАНИЕ: Овој прибор или додатоци се препорачуваат за користење со алатот од Makita дефиниран во упатството. Со користење друг прибор или додатоци може да се изложите на ризик од телесни повреди. Користете ги приборот и додатоците само за нивната назначена намена.

Ако ви треба помош за повеќе детали за приборот, прашајте во локалниот сервисен центар на Makita.

- Издолжувач (права цевка)
- Добавок
- Добавок за телих
- Четка за полици
- Приклучок за млазница
- Кружна четка
- Флексибилно црево
- Филтер (неткаено платно)
- Предфилтер
- Филтер со високи перформанси
- НЕРА-филтер
- Добавок за седишта
- Добавок за уреди
- Сиден носач за безжична правосмукалка
- Циклонска единица
- Прилог циклонт
- Торба за алати
- Оригинална батерија и полнач на Makita

НАПОМЕНА: Некои ставки на листата може да се вклучени со алатот како стандарден прибор. Тие може да се разликуваат од држава до држава.

Прилог циклонт

Опционален прибор

- **Сл.37:** 1. Копче за отпуштање 2. Кука
3. Продолжна цевка (права цевка)
4. Прилог циклонт 5. Отвор за смукање

За прилогот циклонт

Користењето на правосмукалната со монтиран прилог циклонт ја намалува количината прав што влегува во капсулата, што помага во спречувањето на слабењето на силата на смукање. Покрај тоа, чистењето по употребата е исто така едноставно.

ВНИМАНИЕ: Пред секое дотерување или проверка на алатот, секогаш проверувајте дали е исклучен и касетата за батеријата е извадена. Доколку касетата за батеријата е оставена вметната, правосмукалната може неочекувано да стартува и да резултира со сериозна повреда.

ВНИМАНИЕ: Исчистете го мрежестиот филтер од циклонскиот приклучок и филтрите од единицата на чистачот кога ќе се затнат. Континуираната употреба во затната состојба може да резултира со загревање или чад.

ЗАБЕЛЕШКА: Кога додатокот циклонт е прикачен, не користете ја правосмукалната во хоризонтална положба или положба свртена нагоре. Тоа може да предизвика затнување на мрежестиот филтер.

ЗАБЕЛЕШКА: Секогаш користете ја правосмукалната со монтирани филтри, дури и кога користите прилог циклонт. Користењето на правосмукалната без монтирани филтри може да резултира со дефект на моторот.

НАПОМЕНА: Пред употреба, проверете дали циклонскиот приклучок, правосмукалката и продолжната цевка (правата цевка) се правилно блокирани.

НАПОМЕНА: Испразнете ја вреќата за прав од циклонскиот приклучок и капсулата од правосмукалката кога ќе се насобере прашина. Континуираната употреба ќе резултира со помала сила на смукањето.

НАПОМЕНА: Прилогот циклон исто така може да го користите без функција за заклучување.

НАПОМЕНА: За монтирање или отстранување на циклонскиот приклучок, погледнете во делот „Монтирање и вадење на додаточите за правосмукалка“.

Фрлање на правот во отпад

Кога правот се насобрал до линијата за наполнетост на кутијата за прав, следете ја постапката подолу и фрлете го правот.

1. Цврсто држете ја кутијата за прав, притиснете ги и држете ги двете копчиња и извадете ја кутијата за прав.

► **Сл.38:** 1. Линија за наполнетост 2. Кутија за прав 3. Копче (две локации) 4. Мрежест филтер

2. Фрлете го правот од внатрешноста на кутијата за прав и извадете ги прашиката и правот што се залепени на површината од мрежестиот филтер.

3. Вметнете ја кутијата за прав докрај додека двете копчиња не се заклучат со кликување.

► **Сл.39:** 1. Кутија за прав 2. Копче (две локации)

⚠ВНИМАНИЕ: Кога повторно ќе ја склопувате кутијата за прав, внимавајте да не ги потфатите вашите прсти.

НАПОМЕНА: Пред повторното стартување, проверете дали циклонскиот приклучок, правосмукалката и продолжната цевка (правата цевка) се правилно блокирани.

НАПОМЕНА: Доколку силата на смукањето не се оправди дури ни по фрлање на правот и чистење на мрежестиот филтер, проверете дали се насобрал прав во капсулата од правосмукалката или дошло до затнување.

НАПОМЕНА: Правот може да се исфрли нагоре кога се фрла од додатокот циклон. Внимавајте правот да не ви влезе во очите.

Чистење

⚠ВНИМАНИЕ: По миење на прилогот циклон, темелно исушете го пред употреба. Недоволно исушените компоненти може да предизвикаат струен удар или да го оштетат уредот.

Кога кутијата за прав ќе се извалка или мрежестиот филтер е затнат, извадете ги и измијте ги со вода. (Погледнете во „Фрлање на правот во отпад“ за постапката на отстранување.)

Пред повторно монтирање и употреба, темелно исушете ги деловите.

► **Сл.40:** 1. Кутија за прав 2. Мрежест филтер

Кога мрежестиот филтер лошо ќе се извалка, исчистете го во следниве постапки.

1. Свртете го мрежестиот филтер во насока на стрелката и извадете го додека куките се отклучени.

► **Сл.41:** 1. Мрежест филтер 2. Кука

2. Отстранете го правот на мрежестиот филтер и потоа измијте го со вода. Потоа темелно исчистете го.

3. Вметнете го мрежестиот филтер во основата додека куките се порамнети со портата. Свртете го мрежестиот филтер во насока на стрелката додека куките не се заклучат со кликување. Осигурете се дека мрежестиот филтер е цврсто монтиран.

► **Сл.42:** 1. Мрежест филтер 2. Кука 3. Отвор

УПОЗОРЕЊЕ

- Деца старија од 8 година, особе са ограниченим физичким, чулним или менталним способностима, као и особе без искуства и знања, могу да користе овај уређај ако су под надзором или су били поучени о безбедној употреби уређаја и разумеју потенцијалне опасности у вези са његовом употребом.
- Деца не смеју да се играју уређајем. Деца не смеју да чисте уређај и да обављају корисничко одржавање без надзора.
- Погледајте поглавље „СПЕЦИФИКАЦИЈЕ“ за референцу типа батерије.
- Погледајте одељак „Постављање и уклањање улошка батерије“ да бисте сазнали како да уклоните или поставите батерију.
- Када одлажете уложак батерије на отпад, извадите га из алата и одложите на безбедно место. Придржавајте се локалних прописа у вези са одлагањем батерије.
- Ако се алат не користи током дужег периода, батерија мора да се извади из алата.
- Немојте да изазивате кратак спој улошка батерије.
- Погледајте поглавље „ОДРЖАВАЊЕ“ за одговарајуће детаље о мерама предострожности током корисничког одржавања.

ТЕХНИЧКИ ПОДАЦИ

Модел:	DCL283F
Капацитет	730 мл
Коришћење (са батеријом BL1830B)	Приближ. 10 мин
Укупна дужина (са цеви, млазницом и батеријом BL1830B)	1.066 мм
Номинални напон	DC 18 V
Нето тежина	1,3 – 1,7 кг

- На основу нашег непрестаног истраживања и развоја задржавамо право измена наведених техничких података без претходне најаве.
- Спецификације могу да се разликују у различитим земљама.
- Тежина не укључује други прибор осим уложака батерије. У табели су приказане најлакше и најтеже комбинације тежине уређаја и улошка батерије.

Применљив уложак батерије и пуњач

Уложак батерије	BL1815N / BL1820B / BL1830B / BL1840B / BL1850B / BL1860B
Пуњач	DC18RC / DC18RD / DC18RE / DC18SD / DC18SE / DC18SF / DC18SH / DC18WC

- Неки горенаведени улошки батерија и пуњачи можда неће бити доступни у зависности од места становања.

▲ УПОЗОРЕЊЕ: Користите само горенаведене улошке батерије и пуњаче. Коришћење других уложака батерије и пуњача може узроковати повреде и/или пожар.

Симболи

У наставку су приказани симболи који се односе на опрему. Пре употребе се обавезно упознајте са њиховим значењем.



Прочитајте упутство за употребу.



Репрезентативна батерија која се примењује за производ.



Ni-MH
Li-Ion

Само за земље ЕУ
Због присуства штетних компонента у опреми, отпад од електричне и електронске опреме, акумулатора и батерија, може да има негативан утицај на животну средину и здравље људи. Не одлажите електричне и електронске уређаје или батерије са кућним отпадом! У складу са европском директивом о отпаду од електричне и електронске опреме и о акумулаторима и батеријама и отпаду од акумулатора и батерија, као и њеном прилагођавању националном закону, отпад од електричне и електронске опреме, батерија и акумулатора мора да се прикупи одвојено и достави одвојеном сабиралишту за комунални отпад који ради у складу са прописима о заштити животне средине.
То означава симбол прецртане канте за смеће на опреми.

Намена

Овај алат је намењен за сакупљање суве прашине.

БЕЗБЕДНОСНА УПОЗОРЕЊА

Безбедносна упозорења за бежични чистач

▲УПОЗОРЕЊЕ: ВАЖНО ПАЖЉИВО ПРОЧИТАЈТЕ сва безбедносна упозорења и упутства **ПРЕ КОРИШЋЕЊА**. Непоштовање упозорења и упутстава може изазвати струјни удар, пожар и/или тешке телесне повреде.

1. **Алат немојте излагати киши. Чувајте у затвореном.**
2. **Не дозволите да се алат користи као играчка. Неопходна је велика пажња приликом коришћења алата од стране или у близини деце.**
3. **Користите алат само на начин описан у овом приручнику. Користите искључиво наставке које препоручује произвођач.**
4. **Немојте да користите алат са оштећеном батеријом. Ако апарат не ради правилно, ако се испусти, оштети, остави напољу или упадне у воду, вратите га у сервисни центар.**

5. **Немојте руковати апаратом мокрим рукама.**
6. **Не стављајте никакве предмете у отворе. Немојте да користите алат ако је неки отвор блокиран; уклањајте прашину, отпатке од предива, длаке и све што би могло да умањи проток ваздуха.**
7. **Држите косу, широку одећу, прсте и све делове тела даље од отвора и покретних делова.**
8. **Пре уклањања батерије искључите све контроле.**
9. **Будите нарочито пажљиви када чистите док сте на степеницама.**
10. **Немојте да користите уређај за сакупљање запаљивих течности као што је бензин, или у подручјима у којима би оне могле да буду присутне.**
11. **За пуњење користите искључиво пуњач који је доставио произвођач.**
12. **Немојте да сакупљате ништа што гори или се дими, као што су цигарете, шибице или врели пепео.**
13. **Немојте да користите уређај без постављене вреће за прашину и/или филтера.**
14. **Немојте да пуните батерију на отвореном.**
15. **Пуните батерију искључиво помоћу пуњача који је навео произвођач. Ако се пуњач који је намењен за одређену врсту батерије користи са другом батеријом, може да дође до опасности од пожара.**
16. **Уређаје користите искључиво са одговарајућим батеријама. Коришћење других врста батерија може да изазове ризик од повреде и пожара.**
17. **Када се батерија не користи, држите је даље од других металних предмета, попут спајалица, новчића, кључева, ексера, завртања и других малих металних предмета који могу да преспоје два прикључка.**
18. **У случају злоупотребе батерије из ње може исцурити течност. У том случају, пазите да не дођете у додир с њом. Ако случајно дођете у додир с батеријом, исперите место додира водом.**
19. **Немојте да користите батерију или уређај који су оштећени или преправљени. Оштећене или преправљене батерије могу довести до непредвидивих ситуација као што су пожар, експлозија или ризик од задобијања повреда.**
20. **Немојте да излагате батерију или уређај ватри или високој температури. Излагање ватри или температури изнад 130 °C може довести до експлозије.**
21. **Придржавајте се свих упутстава за пуњење и немојте да пуните батерију или уређај изнад опсега температуре који је наведен у упутствима. Неисправно пуњење или пуњење на температурама изнад наведеног опсега може оштетити батерију и оставити ризик од пожара.**

САЧУВАЈТЕ ОВО УПУТСТВО.

ДОДАТНА БЕЗБЕДНОСНА ПРАВИЛА

Овај уређај је намењен за кућну употребу.

- Пре употребе пажљиво прочитајте овај приручник са упутствима и приручник са упутствима за пуњач.
- Немојте да скупљате следеће материјале:
 - Вруће супстанце које горе или диме (цигарете, шибице, мирисни штапићи, свеће, врући пепео), искре и метална прашина настали резањем или брушењем метала итд.
 - Запаљива течност (керозин, нафта, растварачи као што су бензин, разређивач, итд.)
 - Запаљиви материјал (тонер, фарба, спреј, итд.)
 - Експлозивне или пирефорне супстанце (нитроглицерин, алуминијум, магнезијум, титан, цинк, црвени фосфор, жути фосфор, целулоид итд. и њихова прашина, гас или пара)
 - Течност, уље, мокра прашина или влажно смеће, укључујући избљувак и измет
 - Чврсти предмети са оштрим ивицама (опиљци дрвета, метали, камен, стакло, ексери, клинови, жилети или прибор за јело)
 - Стврдњавајући и проводљиви ситни прах (метални или угљенични прах)
 - Пена, као што је средство за чишћење тепиха итд. (може изазвати експлозију или пожар)
 - Велика количина праха (брашно, прах за гашење пожара, итд.)
 - Супстанце које изазивају токсичне симптоме
 - Агресивне хемикалије (киселине, базе, итд.)
 - Ситни везивни прах као што је цемент
 - Ситне честице, као што је бетонска прашина
 - Средства за сушење
 - Азбест
 - Пестициди

То би могло да доведе до пожара, повреде и/или оштећења имовине.

Да бисте умањили излагање овим хемикалијама, увек носите одобрену заштиту за дисајне органе, попут маске против прашине које су посебно пројектоване за филтрирање микроскопских честица. Умерите издувни ваздух даље од лица и тела.

- Одмах престаните са радом ако приметите било шта необично.
- Ако испустите или ударите чистач, пре рада пажљиво проверите да ли на њему има пукотина или оштећења.
- Немојте да користите уређај у близини шпорета или других топлотних извора.
- Немојте да блокирате улазни отвор или вентилационе отворе.

САЧУВАЈТЕ ОВО УПУТСТВО.

Важна безбедносна упутства која се односе на уложак батерије

- Пре употребе улошка батерије, прочитајте сва упутства и безбедносне ознаке на (1) пуњачу батерије, (2) батерији и (3) производу који користи батерију.
- Не растављајте и не модификујте уложак батерије. Тиме можете да изазовете пожар, прекомерно загревање или експлозију.
- Ако се време рада знатно скратило, одмах престаните са коришћењем. То може да доведе до ризика од прегревања, могућих опекотина, па чак и експлозије.
- Ако електролит доспе у очи, исперите их чистом водом и одмах затражите помоћ лекара. То може да доведе до губитка вида.
- Немојте да изазивате кратак спој улошка батерије:
 - Немојте додиривати прикључке било којим проводним материјалом.
 - Избегавајте складиштење улошка батерије у кутији са другим металним предметима као што ексери, новчићи итд.
 - Немојте да излажете уложак батерије води или киши.Кратак спој батерије може да доведе до великог протока струје, прегревања, могућих опекотина, па чак и прегоривања.
- Немојте да складиштите и користите алат и уложак батерије на местима где температура може да достигне или премаше 50 °C (122 °F).
- Немојте да палите уложак батерије чак ни када је озбиљно оштећен или потпуно похабан. Уложак батерије може да експлодира у ватри.
- Немојте да закивате, сечете, ломите, бацате или испуштате уложак батерије, или да њиме ударате по чврстој површини. На тај начин можете да изазовете пожар, прекомерно загревање или експлозију.
- Немојте да користите оштећену батерију.
- Сдржане литијум-јонске батерије подлежу Закону о превозу опасних материја. Приликом комерцијалног превоза, нпр. од стране трећих лица и превозника, мора се обратити посебна пажња на специјалне захтеве паковања и обележавања. Приликом припреме материјала за превоз, потребно је саветовати се са стручњаком за опасне материје. Такође обратите пажњу на еволуалне даље националне прописе. Емотајте траком или прекријте отворене контакте и запакујте батерију тако да се не може померати унутар паковања.
- Када одлажете уложак батерије на отпад, извадите га из алата и одложите на безбедно место. Придржавајте се локалних прописа у вези са одлагањем батерије.

12. Батерије користите само са произвођима које је навела компанија Makita. Постављање батерије на производе који нису усаглашени може да доведе до пожара, прекомерне топлоте, експлозије или цурења електролита.
13. Ако се алат не користи током дужег периода, батерија мора да се извади из алата.
14. Током и након коришћења, уложак батерије може да акумулира толико топлоте да то може довести до опекотина, уобичајених и нискотемпературних. Пажљиво рукујте врућим улошцима батерије.
15. Не додирујте контакте алата одмах након коришћења јер су можда толико врући да могу да изазову опекотине.
16. Водите рачуна да се струготина, прашина или земља не заглаве у контактима, рупицама и жлебовима улошка батерије. То може проузроковати загревање, запаљивање, пуцање и неисправност алата или улошка батерије, што може да доведе до опекотина или телесних повреда.
17. Осим ако алат то не подржава, немојте да користите уложак батерије близу високонапонских разводних линија електричне струје. У супротном може доћи до квара или прегоривања алата или улошка батерије.
18. Држите батерију ван домаћаја деце.

САЧУВАЈТЕ ОВО УПУТСТВО.

ПАЖЊА: Користите само оригиналне Makita батерије. Коришћење Makita батерија које нису оригиналне или батерија које су измењене може да доведе до пуцања батерије, које може да изазове пожар, телесне повреде или штету. То ће такође поништити гаранцију компаније Makita за Makita алат и пуњач.

Савети за максимално трајање батерије

1. Напуните уложак батерије пре него што се потпуно испразни. Сваки пут прекините рад са алатом и напуните уложак батерије када приметите да је снага алата слабија.
2. Никада немојте да поново пуните потпуно напуњени уложак батерије. Препуњавање скраћује радни век батерије.
3. Пуните уложак батерије на собној температури између 10°C и 40°C (између 50°F и 104°F). Сачекајте да се врући уложак батерије охлади пре пуњења.
4. Када не користите уложак батерије, извадите га из алата или пуњача.
5. Напуните уложак батерије ако га нећете користити дуже време (више од шест месеци).

ОПИС НАЧИНА ФУНКЦИОНИСАЊА

ПАЖЊА: Пре подешавања или провере функција алата увек проверите да ли је алат искључен и да ли је уложак батерије уклоњен.

ПАЖЊА: Приликом убацивања батерије водите рачуна да вам се прсти не заглаве између чистача и батерије, као што је приказано на слици. Заглављивање прстију може да доведе до повреде.

► Слика1

Постављање и уклањање улошка батерије

ПАЖЊА: Увек искључите алат пре постављања или уклањања улошка батерије.

ПАЖЊА: Држите чврсто алат и уложак батерије када постављате или уклањате уложак батерије. Ако алат и уложак батерије не будете држали чврсто, могу вам исклизнути из руку, оштетити се при паду и повредити вас.

Да бисте уклонили уложак батерије, клизањем га извуците из алата док клизањем померате дугме на предњој страни улошка.

► Слика2: 1. Црвени индикатор 2. Дугме 3. Уложак батерије

Да бисте поставили уложак батерије, поравнајте језичак на њему са жлебом на кућишту и гурните га на место. Гурните га до краја тако да легне на своје место и чује се тихо шкљоцање. Ако видите црвени индикатор као што је приказано на слици, уложак батерије није потпуно закључан.

ПАЖЊА: Увек до краја гурните уложак батерије тако да се црвени индикатор не види. У супротном, он случајно може испасти из алата и повредити вас или неку особу у вашој близини.

ПАЖЊА: Немојте на силу да постављате уложак батерије. Ако уложак не можете лако да гурнете, то значи да га не постављате исправно.

Систем за заштиту алата/батерије

Алат је опремљен системом за заштиту алата/ батерије. Овај систем аутоматски прекида напајање мотора како би продужио век трајања алата и батерије. Алат ће се аутоматски зауставити током рада ако се алат или батерија нађу у неком од следећих стања.

Преоптерећење:

Алатом/батеријом се рукује тако да вуче неубичајено велику струју.

У овој ситуацији, искључите алат и престаните са употребом која је довела до преоптерећења алата. Затим укључите алат да бисте га поново покренули.

Прегревање:

Дошло је до прегревања алата/батерије. У овој ситуацији, пустите да се алат/батерија охладе пре поновног укључивања алата.

Низак напон батерије:

Преостали капацитет батерије је сувише мали и алат неће да ради. У том случају уклоните и напуните батерију.

Заштита од других узрока:

Систем за заштиту је такође дизајниран за друге узроке коју могу да оштете алат и омогућава му аутоматско заустављање. Обавите све следеће кораке да бисте отклонили узроке када се алат привремено заустави или заустави током рада.

1. Искључите алат, а затим га укључите да бисте га поново покренули.
2. Напуните батерије или их замените напуњеним батеријама.
3. Сачекајте да се алат и батерије охладе.










Ако поновним остављањем система за заштиту не долази ни до каквих побољшања, обратите се локалном сервисном центру компаније Makita.

Приказ преосталог капацитета батерије

Само за улошке батерије са индикатором

► **Слика3:** 1. Индикаторске лампице 2. Дугме за проверу

Притисните дугме за проверу на улошку батерије да бисте приказали преостали капацитет батерије. Индикаторске лампице ће се укључити на неколико секунди.

Индикаторске лампице			Преостали капацитет
 Светли	 Искључено	 Трепће	
			Од 75% до 100%
			Од 50% до 75%
			Од 25% до 50%
			Од 0% до 25%
			Напуните батерију.
 ↑ ↓ 			Могуће је да је батерија постала неисправна.

НАПОМЕНА: У зависности од услова коришћења и температуре околине, приказани капацитет може донекле да се разликује од стварног.

НАПОМЕНА: Прва (крајња лева) индикаторска лампица трепери када систем за заштиту батерије ради.

Функционисање прекидача

▲ ПАЗЊА: Пре убацивања улошка батерије у алат, поставите клизни прекидач на положај „О“ и уверите се да се окидач прекидача правилно враћа у положај „OFF“ (Искључено) пошто га пустите.

Када је клизни прекидач померен на страну „О“: Да бисте активирали алат, једноставно притисните окидач прекидача. Отпустите окидач прекидача да бисте зауставили алат.

► **Слика4:** 1. Клизни прекидач 2. Окидач прекидача

Када је клизни прекидач померен на положај „I“: Када је клизни прекидач подешен на положај „I“, окидач прекидача се повлачи аутоматски и чистач наставља са радом. Да бисте зауставили чистач, подесите клизни прекидач на положај „О“ и отпустите окидач прекидача.

► **Слика5:** 1. Клизни прекидач 2. Окидач прекидача

Укључивање лампе

▲ ПАЗЊА: Немојте да гледате у лампу ни директно у извор светлости.

Да бисте укључили лампу, или притисните окидач прекидача или поставите клизни прекидач у положај „I“. Лампа ће се укључити док чистач ради. Лампа се искључује непосредно након престанка рада.

НАПОМЕНА: Када се преостали капацитет батерије смањи, лампа ће почети да трепери. Када ће лампа почети да трепери зависи од температуре радног окружења и стања улошка батерије.

► **Слика6:** 1. Лампа 2. Клизни прекидач 3. Окидач прекидача

СКЛАПАЊЕ

▲ ПАЗЊА: Пре обављања било каквог посла на алату увек проверите да ли је он искључен и да ли је уложак батерије уклоњен.

Опис делова

Опциони додатни прибор

Филтер високих перформанси и сунђерасти филтер са држачем

► **Слика7:** 1. Капсула 2. Филтер високих перформанси 3. Ослонац 4. Сунђерасти филтер

Предфилтер или филтер високих перформанси и HEPA филтер

► **Слика8:** 1. Капсула 2. Предфилтер 3. Филтер високих перформанси 4. HEPA филтер

ОБАВЕШТЕЊЕ: Немојте да користите филтер високих перформанси са опционим филтером (неткана тканина). Филтери се не могу уклонити из чистача.

НАПОМЕНА: Немојте постављати опциони филтер (неткана тканина) између НЕРА филтера и предфилтера. Усисна снага може да се смањи.

НАПОМЕНА: Увек користите филтер високих перформанси који је уоквирен оригинално дизајнираним ослонцем када га поставите на НЕРА филтер.

- ▶ **Слика9:** 1. Филтер високих перформанси
2. Ослонац (дизајниран за филтер високих перформанси)

Одлагање прашине

⚠ ПАЖЊА: Испразните чистач пре него што се превише напуни или пре него што се смањи усисна снага.

⚠ ПАЖЊА: Обавезно испразните прашину из унутрашњости чистача. Ако то не урадите може да се запуши филтер или да се оштети мотор.

Да бисте избацили прашину која се залепила за филтер у капсули, ударите капсулу руком 4 или 5 пута.

- ▶ **Слика10:** 1. Капсула

Усмерите усисни отвор на доле, окрените капсулу у смеру стрелице на слици и полако и равно је одвојите.

- ▶ **Слика11:** 1. Капсула 2. Улаз за усисавање

НАПОМЕНА: Прашина може да се проспе приликом отварања капсуле, па испод капсуле обавезно поставите врећу за смеће.

Уклоните нагомилану прашину из унутрашњости капсуле и са филтера високих перформанси.

- ▶ **Слика12:** 1. Капсула 2. Филтер високих перформанси

Окрените филтер високих перформанси у смеру стрелице да бисте одвојили сигурносну ивицу са јединице усисивача, а затим извуците филтер високих перформанси.

- ▶ **Слика13:** 1. Сигурносна ивица

НАПОМЕНА: Када користите предфилтер, такође пратите претходно наведену процедуру.

Уклоните фину прашину и лагано га ударајте да бисте избацили прашину са филтера високих перформанси.

Склапање

Поставите филтер високих перформанси. Затим обавезно окрените филтер високих перформанси тако да сигурносна ивица буде добро причвршћена за јединицу усисивача.

- ▶ **Слика14:** 1. Филтер високих перформанси

- ▶ **Слика15:** 1. Сигурносна ивица

ОБАВЕШТЕЊЕ: Пре употребе чистача, увек проверите да ли је филтер високих перформанси правилно постављен. Ако није исправно постављен, прашина ће ући у кућиште мотора и изазвати квар мотора. Ако се касније јави описани проблем, то значи да филтер високих перформанси није исправно постављен. Поново га правилно поставите да бисте отклонили проблем.

Закачите капсулу. Поравнајте ознаку на капсули са ознаком на ручки, а затим снажно окрените капсулу у смеру стрелице док се не причврсти.

- ▶ **Слика16:** 1. Ознака 2. Ручка 3. Капсула

НАПОМЕНА: Увек уклањајте прашину раније јер ће усисна снага бити смањена ако је у усисивачу превише прашине.

Примери проблема

Сигурносна ивица филтера високих перформанси није добро убачена у жлеб кућишта чистача.

- ▶ **Слика17:** 1. Сигурносна ивица 2. Жлеб кућишта усисивача

Монтирање или уклањање филтера са држачем/НЕРА филтера

Опциони додатни прибор

За сунђерасти филтер са држачем

Да бисте уклонили држач, гурните прстима нагоре доњи део стубова држача и откачите жлеб од избочине на чистачу. Затим скините сунђерасти филтер.

- ▶ **Слика18:** 1. Држач 2. Сунђерасти филтер

Да бисте монтирали, поравнајте жлебове на држачу са избочинама на чистачу у гурните га док не налегне.

Убаците сунђерасти филтер између стубова и поставите га у првобитни положај.

За НЕРА филтер

Када монтирате НЕРА филтер, поставите жлеб НЕРА филтера на избочину чистача. Затим поставите предфилтер или филтер високих перформанси на НЕРА филтер и заврните га да бисте га причврстили. Да бисте га уклонили, примените поступак монтирања обрнутим редоследом.

- ▶ **Слика19:** 1. НЕРА филтер 2. Предфилтер

- ▶ **Слика20:** 1. НЕРА филтер 2. Филтер високих перформанси

РАД

▲ПАЖЊА: Не приближавајте лице вентилационом отвору док чистач ради. Ако одувате страна тела у очи, могуће су телесне повреде.

Постављање и уклањање додатака чистача

▲ПАЖЊА: Након постављања додатака, проверите да ли су правилно постављени. Ако додаци нису правилно постављени, могу да спадну и изазову телесне повреде.

▲ПАЖЊА: Обратите пажњу да не ударите руком о зид и слично док уклањате додатке.

Када користите додаток са функцијом закључавања

Да бисте поставили додаток, уметните га у улаз за усисавање чистача тако да налегне. Уверите се да је додаток причвршћен.

► **Слика21:** 1. Улаз за усисавање 2. Додатак са функцијом закључавања 3. Кука 4. Дугме за отпуштање

ОБАВЕШТЕЊЕ: Када постављате додаток са функцијом закључавања, поравнајте дугме за отпуштање на чистачу са куком на додатку. Ако нису поравнати, додатак се неће причврстити и може да спадне са чистача.

Да бисте уклонили додаток, повуците га док притискате дугме за отпуштање.

► **Слика22:** 1. Дугме за отпуштање 2. Додатак са функцијом закључавања

Када користите додаток без функције закључавања

▲ПАЖЊА: Да бисте повезали додаток без функције закључавања, убаците га уз окретање у смеру стрелице да бисте обезбедили сигуран спој током употребе. Да бисте скинули додатке, извучите их уз окретање у смеру стрелице. Ако се додаток окрене у супротном смеру, капсула може да се олабави.

► **Слика23**

Чишћење (усисавање)

Млазница

Поставите млазницу за чишћење столова, радних столова, намештаја итд. Млазница се лако навлачи.

► **Слика24:** 1. Млазница

Млазница + продужна цев (права цев)

Продужна цев се убацује између млазнице и самог чистача. Овај склоп је погодан за чишћење подова из усправног положаја.

► **Слика25:** 1. Тело чистача 2. Продужна цев (права цев) 3. Млазница

Уска млазница

Поставите уску млазницу за чишћење ћошкова и превоја у аутомобилу или на намештају.

► **Слика26:** 1. Уска млазница 2. Тело чистача

Уску млазницу можете чувати у држачу цеви.

► **Слика27:** 1. Држач цеви 2. Уска млазница

▲ПАЖЊА: Пазите да не заглавите прсте између уске млазнице и држача цеви. Заглављивање прстију може да доведе до повреде.

Уска млазница + продужна цев (права цев)

Овај склоп користите у скученим просторима у које не може да стане сам чистач, или на високим местима која је тешко дохватити.

► **Слика28:** 1. Уска млазница 2. Продужна цев (права цев) 3. Тело чистача

Чишћење без млазнице

Прах и прашину можете да уклоните без млазнице.

► **Слика29**

Додавање продужне цеви на чистач је практично решење за сакупљање прашине са пода у стајаћем положају.

► **Слика30:** 1. Продужна цев (права цев)

ОДРЖАВАЊЕ

▲ПАЖЊА: Пре него што почнете с прегледом или одржавањем алата, искључите алат и уклоните уложак батерије.

БЕЗБЕДАН и ПОУЗДАН рад производа гарантујемо само ако поправке и свако друго одржавање или подешавање препустите овлашћеном сервису компаније Makita или фабричком сервису, уз употребу оригиналних резервних делова компаније Makita.

Након употребе

⚠ ПАЖЊА: Ако чистач наслоните на зид без икакве друге потпоре, он може да падне и доведе до телесних повреда или да се оштети.

► Слика31

Чишћење

⚠ ПАЖЊА: Очистите филтере када се запусте. Ако наставите да користите чистач у запушеном стању, може доћи до загревања или пожара.

ОБАВЕШТЕЊЕ: Никад немојте да користите нафту, бензин, разређивач, алкохол и слична средства. Може доћи до губитка боје, деформације или оштећења.

ОБАВЕШТЕЊЕ: Немојте да чистите праšину која се залепила за чистач и филтере помоћу распршивача ваздуха. На тај начин се прашина уноси у кућиште и изазива кварове.

ОБАВЕШТЕЊЕ: Након што оперете филтере, добро их осушите пре употребе. Недовољно осушени филтери могу да доведу до лошег усисавања и скрате радни век мотора.

ОБАВЕШТЕЊЕ: Након што очистите филтере и сунђерасти филтер, обавезно их поново монтирајте пре употребе. Ако користите чистач без филтера и сунђерастог филтера, прашина улази у кућиште мотора и изазива кварове.

Тело чистача

С времена на време обришите спољашњост (кућиште) чистача помоћу тканине натопљене сапуницом.

Очистите и отвор за усисавање и област за монтирање филтера.

► Слика32

Филтер високих перформанси

Филтер оперите сапуницом када се запусте од праšине и када се смањи снага чистача. Добро га осушите пре употребе.

► Слика33

НЕРА филтер

Опциони додатни прибор

ОБАВЕШТЕЊЕ: Немојте да трљате и гребете НЕРА филтер чврстим предметима као што су четка и лопатица.

Запушен НЕРА филтер доводи до лошег учинка усисавања. С времена на време очистите филтер.

Повремено оперите НЕРА филтер водом, исперите га и добро осушите у хладовини пре употребе.

Филтер никада немојте прати у машини за веш.

► Слика34

Сунђерасти филтер

Када се сунђерасти филтер запрља, очистите га на следећи начин.

1. Уклоните филтере који покривају ослонац.
2. Извуците сунђерасти филтер између стубова.
3. Очистите сунђерасти филтер лупкањем или прањем. Ако га оперете, добро га осушите пре употребе.
4. Убаците сунђерасти филтер између стубова и поставите га у првобитни положај. Уверите се да доња ивица сваког стуба држи сунђерасти филтер и да између сунђерастог филтера и отвора за усисавање нема размака.

► Слика35: 1. Сунђерасти филтер 2. Доња ивица стуба

Зидни носач за бежични чистач

Опциони додатни прибор

НАПОМЕНА: Завртањ за монтирање зидног носача није укључен. Припремите завртањ који одговара материјалу у који га постављате.

Поставите зидни носач за бежични чистач на чврсти зид од дрвета, греду или стуб, на место на којем зидни носач за бежични чистач може безбедно да се причврсти. Увек се уверите да је зидни носач за бежични чистач добро причвршћен пре него што окачите чистач.

► Слика36: 1. Зидни носач за бежични чистач

⚠ ПАЖЊА: Немојте насилно да качите чистач на зидни носач и немојте да качите друге апарате.

Решавање проблема

Пре него што затражите поправку, проверите следеће ставке.

Симптом	Шта треба проверити	Начин поправке
Мала усисна снага	Да ли је капсула пуна прашине?	Испразните прашину из капсуле.
	Да ли је филтер запушен?	Очистите или оперите филтер.
	Да ли се уложак батерије испразнио?	Напуните уложак батерије.
Не ради	Да ли се уложак батерије испразнио?	Напуните уложак батерије.
Бука и вибрација	Да ли је филтер запушен?	Очистите или оперите филтер.
	Да ли су млазница, цев или улаз за усисавање на уређају запушени?	Уклоните заглављене предмете из млазнице, цеви или улаза за усисавање на уређају.
	Да ли је улаз за млазницу/цев блокиран?	Немојте да блокирате улаз за млазницу/цев.

ПАЖЊА: Не покушавајте да сами поправите чистач.

ОПЦИОНИ ПРИБОР

ПАЖЊА: Ова опрема и прибор су предвиђени за употребу са алатом Makita описаним у овом упутству за употребу. Употреба друге опреме и прибора може да доведе до повреда. Користите делове прибора или опрему искључиво за предвиђену намену.

Да бисте добили више детаља у вези са овим прибором, обратите се локалном сервисном центру компаније Makita.

- Продужна цев (права цев)
- Млазница
- Млазница за тепих
- Четка за полице
- Уска млазница
- Округла четка
- Савитљиво црево
- Филтер (неткана тканина)
- Предфилтер
- Филтер високих перформанси
- НЕРА филтер
- Млазница за седишта
- Млазница за превоје
- Зидни носач за бежични чистач
- Циклонска јединица
- Додатак за циклон
- Торба са алатом
- Makita оригинална батерија и пуњач

НАПОМЕНА: Поједине ставке на листи могу бити укључене у садржај паковања алата као стандардна опрема. Оне се могу разликовати од земље до земље.

Додатак за циклон

Опциони додатни прибор

- **Слика37:** 1. Дугме за отпуштање 2. Кука
3. Продужна цев (права цев)
4. Додатак за циклон 5. Улаз за усисавање

О додатку за циклон

Коришћење чистача са постављеним додатком за циклон смањује количину прашине која улази у капсулу и на тај начин спречава да се снага усисавања смањи. Поред тога, чишћење након употребе је такође једноставно.

ПАЖЊА: Пре обављања било каквог посла на алату увек проверите да ли је он искључен и да ли је уложак батерије уклоњен. Ако је уложак батерије уметнут, чистач може неочекивано да се покрене и доведе до телесне повреде.

ПАЖЊА: Очистите мрежасти филтер додатка за циклон и филтере јединице чистача када се запусте. Ако наставите да користите чистач у запушеном стању, може доћи до загревања или дима.

ОБАВЕШТЕЊЕ: Када је додатак за циклон постављен, немојте да користите чистач у хоризонталном или усправном положају. У супротном, мрежасти филтер може да се запусте.

ОБАВЕШТЕЊЕ: Увек користите чистач са постављеним филтерима чак и када користите додатак за циклон. Коришћење чистача без постављених филтера може да доведе до квара мотора.

НАПОМЕНА: Пре употребе проверите да ли су додаток за циклон, чистач и продужна цев (права цев) правилно причвршћени.

НАПОМЕНА: Испразните кућиште за праšину додатка за циклон и капсулу чистача када се накупи прашина. Ако наставите да користите чистач, снага усисавања може да се смањи.

НАПОМЕНА: Додатак за циклон можете да користите и без функције заључавања.

НАПОМЕНА: Да бисте поставили или уклонили додаток за циклон, погледајте одељак „Постављање и уклањање додатка чистача“.

Одлагање прашине

Када се прашина накупи до пуне линије кућишта за праšину, следите поступке у наставку и одложите праšину.

1. Чврсто држите кућиште за праšину, притисните и држите два дугмета и уклоните кућиште за праšину.

► **Слика38:** 1. Пуна линија 2. Кућиште за праšину 3. Дугме (два места) 4. Мрежаст филтер

2. Одложите праšину унутар кућишта за праšину и уклоните праšину и прах накупљен на површини мрежастог филтера.

3. Уметните кућиште за праšину скроз до краја, док не чујете да су два дугмета улегла.

► **Слика39:** 1. Кућиште за праšину 2. Дугме (два места)

⚠ ПАЗЊА: Приликом састављања кућишта за праšину пазите да не уштинете прсте.

НАПОМЕНА: Пре поновног покретања проверите да ли су додаток за циклон, чистач и продужна цев (права цев) правилно причвршћени.

НАПОМЕНА: Ако се снага усисавања не врати ни након одлагања прашине и чишћења мрежастог филтера, проверите да ли има прашине у капсули чистача или је дошло до запушења.

НАПОМЕНА: Приликом одлагања, прашина може да се дигне из додатка за циклон. Водите рачуна да вам не уђе прашина у очи.

Чишћење

⚠ ПАЗЊА: Након прања додатка за циклон, темељно га осушите пре употребе. Недовољно осушене компоненте могу да доведу до струјног удара или оштећења уређаја.

Када се кућиште за праšину запрља или мрежаст филтер запуши, уклоните и исперите их водом. (Погледајте „Одлагање прашине“ ради поступка за уклањање.)

Добро осушите делове пре поновног постављања и коришћења.

► **Слика40:** 1. Кућиште за праšину 2. Мрежаст филтер

Када се мрежаст филтер веома запрља, очистите га предузимајући следеће поступке.

1. Мрежаст филтер окрените у смеру стрелице и уклоните га док су куке откључане.

► **Слика41:** 1. Мрежаст филтер 2. Кука

2. Уклоните праšину са мрежастог филтера, а затим га исперите водом. Након тога, добро га осушите.

3. Уметните мрежаст филтер у постоље док су куке поравнате са отвором. Окрећите мрежаст филтер у смеру стрелице све док не чујете да су куке улегле уз шкљоцање. Проверите да ли је мрежаст филтер чврсто постављен.

► **Слика42:** 1. Мрежаст филтер 2. Кука 3. Отвор

AVERTIZARE

- Acest aparat poate fi utilizat de copiii cu vârsta de cel puțin 8 ani și de persoanele cu capacități fizice, senzoriale sau mentale reduse, sau lipsite de experiență și cunoștințe doar dacă sunt supravegheate sau au fost instruite cu privire la utilizarea aparatului în siguranță și dacă înțeleg pericolele implicate.
- Copiii nu au voie să folosească acest aparat ca jucărie. Curățarea și întreținerea nu vor fi efectuate de copii nesupravegheați.
- Consultați capitolul „SPECIFICAȚII” pentru referința tipului de acumulator.
- Consultați secțiunea „Instalarea sau scoaterea cartușului acumulatorului” pentru modul de scoatere sau de instalare a acumulatorului.
- Atunci când eliminați la deșeuri cartușul acumulatorului, scoateți-l din mașină și eliminați-l într-un loc sigur. Respectați normele dumneavoastră locale privind eliminarea la deșeuri a acumulatorului.
- Dacă mașina nu este utilizată o perioadă lungă de timp, acumulatorul trebuie scos din aceasta.
- Nu scurtcircuitați cartușul acumulatorului.
- Consultați capitolul „ÎNTREȚINERE” pentru detaliile necesare privind precauțiile în timpul lucrărilor de întreținere efectuate de utilizator.

SPECIFICAȚII

Model:	DCL283F
Capacitate	730 ml
Utilizare continuă (cu baterie BL1830B)	Aprox. 10 min.
Lungime totală (cu țevă, duză și acumulator BL1830B)	1.066 mm
Tensiune nominală	18 V cc.
Greutate netă	1,3 - 1,7 kg

- Datorită programului nostru continuu de cercetare și dezvoltare, specificațiile pot fi modificate fără o notificare prealabilă.
- Specificațiile pot varia în funcție de țară.
- Greutatea nu include accesoriile, ci cartușul(ele) acumulatorului. Greutatea combinată cea mai mică și cea mai mare a aparatului și cartușului(elor) acumulatorului sunt prezentate în tabel.

Cartușul acumulatorului și încărcătorul aplicabile

Cartușul acumulatorului	BL1815N / BL1820B / BL1830B / BL1840B / BL1850B / BL1860B
Încărcător	DC18RC / DC18RD / DC18RE / DC18SD / DC18SE / DC18SF / DC18SH / DC18WC

- Este posibil ca unele cartușe ale acumulatorilor și încărcătoare menționate mai sus să nu fie disponibile în funcție de regiunea dvs. de reședință.

▲AVERTIZARE: Utilizați numai cartușele de acumulator și încărcătoarele enumerate mai sus. Utilizarea oricăror altor cartușe de acumulator și încărcătoare poate duce la rănire și/sau incendiu.

Simboluri

Mai jos sunt prezentate simbolurile care pot fi utilizate pentru echipament. Asigurați-vă că înțelegeți sensul acestora înainte de utilizare.



Citiți manualul de utilizare.



Un acumulator reprezentativ aplicabil pentru acest produs.



Ni-MH
Li-Ion

Doar pentru țările din cadrul UE
Din cauza prezenței componentelor periculoase în echipament, deșeurile de echipamente electrice și electronice, acumulatorii și bateriile pot avea un efect negativ asupra mediului și sănătății umane.

Nu eliminați aparatele electrice și electronice sau bateriile împreună cu gunoiul menajer!

În conformitate cu Directiva europeană privind deșeurile de echipamente electrice și electronice, acumulatorii, bateriile și deșeurile de acumulatori și baterii, precum și cu adaptarea sa în legislația națională, deșeurile de echipamente electrice, de baterii și de acumulatori trebuie depozitate separat și eliminate la un centru de colectare separat pentru deșeurile municipale, care respectă reglementările privind protecția mediului. Acest lucru este indicat prin simbolul care reprezintă o pubeză cu roți barată cu o cruce, aplicat pe echipament.

Destinația de utilizare

Acest aparat este destinat colectării prafului uscat.

AVERTIZĂRI DE SIGURANȚĂ

Avertismente privind siguranța pentru aspiratorul cu acumulator

⚠️ AVERTIZARE: IMPORTANT CITIȚI CU ATENȚIE toate avertizările de siguranță și toate instrucțiunile **ÎNAINTE DE UTILIZARE**.

Nerespectarea acestor avertismente și instrucțiuni poate avea ca rezultat electrocutarea, incendiul și/ sau rănirea gravă.

1. Nu expuneți la ploaie. Depozitați în spații interioare.
2. Nu permiteți utilizarea acestuia ca jucărie. Acordați atenție utilizării acestuia de către copii sau în apropierea copiilor.
3. Utilizați doar în modul descris în acest manual. Utilizați doar accesoriile recomandate de producător.
4. Nu folosiți cu un acumulator uzat. În cazul în care aparatul nu funcționează corespunzător, a suferit șocuri, este deteriorat, a fost depozitat în exterior sau a fost scăpat în apă, returnați-l la un centru de service.

5. Nu manipulați aparatul cu mâinile umede.
6. Nu introduceți obiecte în orificii. A nu se utiliza cu orificiile blocate; feriți de praf, scame, păr și orice alte materiale care pot obstrucționa fluxul de aer.
7. Nu vă apropiați părul, hainele largi, degetele și celelalte părți ale corpului de deschideri și de piesele mobile.
8. Dezactivați toate comenzile înainte de a scoate acumulatorul.
9. Acordați atenție specială la curățarea pe trepte.
10. Nu utilizați la colectarea unor lichide inflamabile sau combustibile, cum ar fi benzina și nu utilizați în zone în care acestea ar putea fi prezente.
11. Utilizați doar încărcătorul furnizat de producător pentru reincărcare.
12. Nu colectați obiecte care ard sau fumează, cum ar fi țigări, chibrituri sau cenușă fierbinte.
13. Nu utilizați fără sac de praf și/sau filtre montate.
14. Nu încărcăți acumulatorul în exterior.
15. Efectuați reincărcarea numai cu încărcătorul specificat de producător. Un încărcător adecvat pentru un anumit tip de acumulator poate prezenta risc de incendiu dacă este utilizat cu alt tip de acumulator.
16. Folosiți aparatele numai cu grupurile de acumulatori special destinate acestora. Utilizarea altor grupuri de acumulatori poate prezenta risc de rănire și de incendiu.
17. Când nu folosiți acumulatorul, țineți-l la distanță de obiecte metalice precum agrafe de birou, monede, chei, cuie, șuruburi sau alte obiecte metalice mici, ce pot constitui o legătură între cele două borne.
18. În condiții extreme, lichidul poate fi eliminat din acumulator; evitați contactul cu acesta. Dacă intrați în contact accidental, clătiți bine cu apă zona afectată.
19. Nu utilizați un grup de acumulatori sau un aparat care este deteriorat ori modificat. Acumulatorii deteriorați sau modificați pot prezenta un comportament imprevizibil, ce poate cauza incendii, explozii sau pericol de rănire.
20. Nu expuneți un grup de acumulatori sau aparatul la foc sau la temperaturi excesive. Expunerea la foc sau la temperaturi mai mari de 130 °C poate cauza explozii.
21. Urmați toate instrucțiunile de încărcare și nu încărcăți grupul de acumulatori sau aparatul la temperaturi care nu se încadrează în intervalul specificat în instrucțiuni. Încărcarea incorectă sau la temperaturi care nu se încadrează în intervalul specificat poate cauza deteriorarea acumulatorului și creșterea riscului de incendiu.

PĂSTRAȚI ACESTE INSTRUCȚIUNI.

NORME SUPLIMENTARE DE SECURITATE

Acest aparat este destinat doar uzului casnic.

- Înainte de utilizare, citiți cu atenție acest manual de instrucțiuni și manualul de instrucțiuni al încărcătorului.
- Nu aspirați următoarele materiale:
 - Substanțele fierbinți care ard sau scot fum (țigarete, chibrituri, bețișoare parfumate, lumânări, cenușă fierbinte), scântele și particulele de praf de metal generate în urma tăierii sau a polizării metalului etc.
 - Lichide inflamabile (kerosen, benzină, solvenți precum fierfalină, diluant etc.)
 - Materiale inflamabile (colorant, vopsea, spray etc.)
 - Substanțe explozive sau piroforice (nitroglicerină, aluminiu, magneziu, titan, zinc, fosfor roșu, fosfor galben, celuloză etc. și particulele, gazele sau aburii lor)
 - Murdărie lichidă, uleioasă, umedă sau gunoi umed, inclusiv vomă și excremente
 - Obiecte dure cu margini ascuțite (așchii de lemn, metale, sticlă, cuie, ace, lame sau tacâmuri)
 - Pulbere fină de solidificare și conductoare (pulbere de metal sau pudră carbonică)
 - Spumă sub formă agenților de curățare a covoarelor etc. (care ar putea cauza explozii sau incendii)
 - Cantitate mare de pulbere (făină, pulbere pentru stingerea incendiilor etc.)
 - Substanțe care provoacă simptome toxice
 - Substanțe chimice agresive (acid, alcalii etc.)
 - Pulbere fină de legare, precum ciment
 - Particule fine, precum praful de beton
 - Desicant
 - Azbest
 - Pesticide

O astfel de acțiune poate cauza incendii, accidente și/sau daune.
Pentru a reduce expunerea la aceste substanțe chimice purtați întotdeauna un echipament de protecție respiratorie omologat, cum ar măști de protecție împotriva prafului, care sunt special concepute pentru a filtra particulele microscopice. Îndepărtați aerul de evacuare de față și corpul dumneavoastră.
- Întrepuși lucrul imediat dacă observați orice anomalie.
- Dacă scăpați pe jos sau loviți aspiratorul, înainte de utilizare verificați-l cu atenție în privința fisurării sau deteriorării.
- Nu țineți în apropierea sobelor sau a altor surse de căldură.
- Nu obturați orificiile de admisie sau de ventilație.

PĂSTRAȚI ACESTE INSTRUCȚIUNI.

Instrucțiuni importante privind siguranța pentru cartușul acumulatorului

- Înainte de a folosi cartușul acumulatorului, citiți toate instrucțiunile și atenționările de pe (1) încărcătorul acumulatorului, (2) acumulator și (3) produsul care folosește acumulatorul.
- Nu dezasamblați și nu interveniți asupra cartușului acumulatorului. Acest lucru poate cauza incendii, căldură excesivă sau explozii.
- Dacă timpul de funcționare s-a redus excesiv, întrerupeți imediat funcționarea. Aceasta poate prezenta risc de supraîncălzire, posibile arsuri și chiar explozie.
- Dacă electrolitul pătrunde în ochi, clătiți bine ochii cu apă curată și consultați imediat un medic. Există risc de orbire.
- Nu scurtcircuitați cartușul acumulatorului:
 - Nu atingeți bornele cu niciun material conductor.
 - Evitați depozitarea cartușului acumulatorului la un loc cu alte obiecte metalice cum ar fi cuie, monede etc.
 - Nu expuneți cartușul acumulatorului la apă sau ploaie.

Un scurtcircuit al acumulatorului poate provoca un flux puternic de curent electric, supraîncălzire, posibile arsuri și chiar defectarea mașinii.
- Nu depozitați și nu utilizați mașina și cartușul acumulatorului în locuri în care temperatura poate atinge sau depăși 50 °C (122 °F).
- Nu incinerati cartușul acumulatorului chiar dacă acesta este grav deteriorat sau complet uzat. Cartușul acumulatorului poate exploda în foc.
- Nu introduceți cuie în cartușul acumulatorului, nu îl tăiați, striviți, aruncați sau scăpați și nu îl loviți cu un obiect dur. Astfel de acțiuni pot provoca incendii, căldură excesivă sau explozii.
- Nu utilizați un acumulator deteriorat.
- Acumulatorii Li-Ion încorporați se supun cerințelor Legislației privind substanțele periculoase.
Pentru transporturi comerciale, efectuate de exemplu de către părți terțe, expeditori, trebuie respectate cerințele speciale de ambalare și etichetare.
Pentru pregătirea articolului care urmează să fie expediat, este necesară consultarea unui expert în materiale periculoase. Vă rugăm să respectați, de asemenea, reglementările naționale, care pot fi mai detaliate.
Izolați sau acoperiți contactele deschise și împachetați acumulatorul în așa fel încât să nu se poată mișca în ambalaj.
- Atunci când eliminați la deșeurile cartușul acumulatorului, scoateți-l din mașină și eliminați-l într-un loc sigur. Respectați normele naționale privind eliminarea la deșeurile a acumulatorului.

12. **Utilizați acumulatorii numai cu produsele specificate de Makita.** Instalarea acumulatorilor în produse neconforme poate cauza incendii, căldură excesivă, explozii sau scurgeri de electrolit.
13. **Dacă mașina nu este utilizată o perioadă lungă de timp, acumulatorul trebuie scos din acesta.**
14. **În timpul utilizării și după aceea, cartușul acumulatorului se poate încălzi, ceea ce poate cauza arsuri sau arsuri la temperaturi scăzute. Fiți atenți la manipularea cartușelor de acumulator atunci când sunt fierbinți.**
15. **Nu atingeți borna mașinii imediat după utilizare, întrucât se poate încălzi foarte tare și poate provoca arsuri.**
16. **Nu lăsați să pătrundă așchii, praf sau pământ în borne, în orificii și în canelurile cartușului acumulatorului.** Acest lucru poate provoca încălzirea, aprinderea, explozia și defectarea mașinii sau a cartușului acumulatorului, cauzând arsuri sau vătămări corporale.
17. **Nu utilizați cartușul acumulatorului în apropierea liniilor electrice de înaltă tensiune, cu excepția cazului în care mașina suportă utilizarea în apropierea liniilor electrice de înaltă tensiune.** Acest lucru poate duce la funcționarea necorespunzătoare sau la defectarea mașinii sau a cartușului acumulatorului.
18. **Țineți acumulatorul la distanță de copii.**

PĂSTRAȚI ACESTE INSTRUCȚIUNI.

⚠ATENȚIE: Folosiți numai acumulatori Makita originali. Acumulatorii Makita care nu sunt originali și acumulatorii care au suferit modificări se pot aprinde, provocând incendii, leziuni corporale și daune. De asemenea, anulează garanția oferită de Makita pentru nealtau și încărcătorul Makita.

Sfaturi pentru obținerea unei durate maxime de exploatare a acumulatorului

1. **Încărcați cartușul acumulatorului înainte de a se descărca complet.** Întrerupeți întotdeauna funcționarea mașinii și încărcați cartușul acumulatorului când observați o scădere a puterii mașinii.
2. **Nu reîncărcați niciodată un acumulator complet încărcat.** Suprîncărcarea va scurta durata de exploatare a acumulatorului.
3. **Încărcați cartușul acumulatorului la temperatura camerei, între 10 °C - 40 °C (50 °F - 104 °F).** Lăsați un acumulator fierbinte să se răcească înainte de a-l încărca.
4. **Atunci când nu utilizați cartușul acumulatorului, scoateți-l din mașină sau din încărcător.**
5. **Încărcați cartușul acumulatorului în cazul în care nu a fost utilizat pe o perioadă mai lungă (mai mult de șase luni).**

DESCRIEREA FUNCȚIILOR

⚠ATENȚIE: Asigurați-vă întotdeauna că mașina este oprită și cartușul acumulatorului este scos înainte de a ajusta sau verifica funcționarea mașinii.

⚠ATENȚIE: Aveți grijă ca la încărcarea bateriei să nu vă prindeți degetul(ele) între aspirator și baterie așa cum se arată în imagine. Prinderea degetului(elor) poate provoca vătămări.

► Fig.1

Instalarea sau scoaterea cartușului acumulatorului

⚠ATENȚIE: Opriți întotdeauna mașina înainte de montarea sau demontarea cartușului de acumulator.

⚠ATENȚIE: Țineți ferm mașina și cartușul acumulatorului la montarea sau demontarea cartușului. În cazul în care nu țineți ferm mașina și cartușul de acumulator, acestea vă pot aluneca din mâini, rezultând defectarea mașinii și cartușului de acumulator, precum și în accidentări personale.

Pentru a scoate cartușul acumulatorului, glisați-l din mașină în timp ce glisați butonul de pe partea frontală a cartușului.

► Fig.2: 1. Indicator roșu 2. Buton 3. Cartușul acumulatorului

Pentru a monta cartușul acumulatorului, aliniați limba de pe cartușul acumulatorului cu canelura din carcasă și introduceți-l în locaș. Introduceți-l complet, până când se înclichează în locaș. Dacă vedeți indicatorul roșu, astfel cum se arată în imagine, acesta nu este blocat complet.

⚠ATENȚIE: Instalați întotdeauna cartușul acumulatorului complet, până când indicatorul roșu nu mai este vizibil. În caz contrar, acesta poate cădea accidental din mașină provocând rănirea dumneavoastră sau a persoanelor din jur.

⚠ATENȚIE: Nu forțați cartușul acumulatorului la montare. Dacă acesta nu glisează ușor, înseamnă că a fost introdus incorect.

Sistem de protecție mașină/acumulator

Mașina este prevăzută cu un sistem de protecție mașină/acumulator. Acest sistem întrerupe automat alimentarea motorului pentru a extinde durata de funcționare a mașinii și acumulatorului. Mașina se va opri automat în timpul funcționării dacă mașina sau acumulatorul se află într-una din situațiile următoare.

Suprasarcină:

Mașina/acumulatorul este utilizat(ă) într-o manieră care determină atragerea unui curent de o intensitate anormal de ridicată.

În această situație, opriți mașina și aplicația care a dus la suprasolicitarea mașinii. Apoi reporniți mașina.

Supraîncălzire:

Mașina/acumulatorul este supraîncălzit(ă). În această situație, lăsați mașina/acumulatorul să se răcească înainte de a reporni mașina.

Tensiune scăzută acumulator:

Capacitatea rămasă a acumulatorului este prea mică, iar mașina nu va funcționa. În această situație, scoateți și reîncărcați acumulatorul.

Măsurile de protecție împotriva altor cauze:

Sistemul de protecție este, de asemenea, conceput pentru alte cauze care ar putea deteriora mașina și permite mașinii să se oprească automat. Parcurgeți toți pașii următori pentru a elimina cauzele, atunci când mașina a fost oprită temporar sau a fost scoasă din funcțiune.

1. Opriți mașina, apoi porniți-o din nou pentru a reporni.
2. Încărcați acumulatorul (acumulatorii) sau înlocuiți-l (înlocuiți-i) cu un acumulator (acumulatori) încărcat (încărcați).
3. Lăsați mașina și acumulatorul (acumulatorii) să se răcească.











Dacă nu se poate observa nicio îmbunătățire prin resetarea sistemului de protecție, contactați centrul local de service Makita.

Indicarea capacității rămase a acumulatorului

Numai pentru cartușe de acumulator cu indicator

► Fig. 3: 1. Lămpi indicatoare 2. Buton de verificare

Apăsăți butonul de verificare de pe cartușul acumulatorului, astfel încât să se indice capacitățile rămase ale acumulatorului. Lămpile indicatorului vor lumina timp de câteva secunde.

Lămpi indicatoare			Capacitate rămasă
 Iluminat	 Oprit	 Iluminare intermitentă	
			între 75% și 100%
			între 50% și 75%
			între 25% și 50%
			între 0% și 25%
			Încărcați acumulatorul.
 ↑ ↓ 			Este posibil ca acumulatorul să fie defect.

NOTĂ: În funcție de condițiile de utilizare și temperatura ambientală, indicația poate fi ușor diferită de capacitatea reală.

NOTĂ: Prima lampă indicatoare (extremitatea stângă) va lumina intermitent când sistemul de protecție a acumulatorului funcționează.

Acționarea întrerupătorului

ATENȚIE: Înainte de a monta cartușul acumulatorului în mașină, setați comutatorul glisant la poziția „O” și verificați dacă butonul declanșator funcționează corect și revine în poziția „OFF” (Oprit) când este eliberat.

Când comutatorul glisant este setat la poziția „O”: Pentru a porni mașina, trageți de butonul declanșator. Eliberați butonul declanșator pentru a opri mașina.

► Fig. 4: 1. Comutator glisant 2. Buton declanșator

Când comutatorul glisant este setat la poziția „I”: În timp ce comutatorul glisant este setat la poziția „I”, butonul declanșator este activat automat și aspiratorul continuă să funcționeze. Pentru a opri aspiratorul, setați comutatorul glisant la poziția „O” și eliberați butonul declanșator.

► Fig. 5: 1. Comutator glisant 2. Buton declanșator

Aprinderea lămpii

ATENȚIE: Nu priviți direct în raza sau în sursa de lumină.

Pentru a porni lampa, presăți butonul declanșator sau glisați comutatorul glisant în poziția „I”.

În timp ce aspiratorul este în funcțiune, lampa se aprinde.

Lampa se stinge imediat după ce opriți lucrul.

NOTĂ: Când capacitatea rămasă a acumulatorului se reduce, lampa începe să lumineze intermitent. Momentul în care lampa începe să lumineze intermitent depinde de temperatura din zona de lucru și de starea cartușului acumulatorului.

► Fig. 6: 1. Lampă 2. Comutator glisant 3. Buton declanșator

ASAMBLARE

ATENȚIE: Asigurați-vă întotdeauna că mașina este oprită și cartușul acumulatorului este scos înainte de a executa orice lucrări la mașină.

Descrierea componentelor

Accesorii opționale

Filtru de performanță ridicată și suport și filtru spongios

► Fig. 7: 1. Capsulă 2. Filtru de performanță ridicată 3. Suport 4. Filtru spongios

Prefiltru sau filtru de performanță ridicată și filtru HEPA

► Fig. 8: 1. Capsulă 2. Prefiltru 3. Filtru de performanță ridicată 4. Filtru HEPA

NOTĂ: Nu puneți sub filtrul de performanță ridicată un filtru opțional (material textil nețesut). Filtrele nu ar putea fi scoase din aspirator.

NOTĂ: Nu montați un filtru opțional (material textil nețesut) între filtrul HEPA și prefiltrul. Aceasta ar putea reduce puterea de aspirare.

NOTĂ: Utilizați întotdeauna filtrul de performanță ridicată care este încadrat cu un suport cu design original atunci când îl puneți peste filtrul HEPA.

► **Fig.9:** 1. Filtru de performanță ridicată 2. Suport (destinat pentru filtrul de performanță ridicată)

Eliminarea prafului

ATENȚIE: Goliți aspiratorul înainte ca acesta să se umple excesiv, pentru a evita reducerea puterii de aspirare.

ATENȚIE: Asigurați-vă că îndepărtați tot praful din interiorul aspiratorului. Neefectuarea acestei operațiuni poate produce înfundarea filtrului sau deteriorarea motorului.

Pentru a îndepărta depunerile de praf de pe filtrul din capsulă, loviți capsula cu mâna de 4 sau 5 ori.

► **Fig.10:** 1. Capsulă

Îndreptați orificiul de aspirație în jos, răsuciți capsula în direcția săgeții din imagine și deconectați capsula lent și drept.

► **Fig.11:** 1. Capsulă 2. Orificiu de aspirație

NOTĂ: La deschiderea capsulei poate să curgă praf, deci asigurați-vă că ați așezat un sac de gunoi sub capsulă.

Scoateți praful acumulat în interiorul capsulei și de pe filtrul de performanță ridicată.

► **Fig.12:** 1. Capsulă 2. Filtru de performanță ridicată

Rotiți filtrul de performanță ridicată în direcția săgeții pentru a desface buza de fixare de unitatea aspiratorului și apoi trageți filtrul în afară.

► **Fig.13:** 1. Buză de fixare

NOTĂ: De asemenea, atunci când utilizați prefiltrul, urmați procedura de mai sus.

Curățați praful fin și loviți ușor pentru a disloca praful din filtrul de performanță ridicată.

Reasamblare

Conectați filtrul de performanță ridicată. În acest moment, asigurați-vă că rotiți filtrul de performanță ridicată, astfel încât buza de fixare să fie blocată ferm în unitatea aspiratorului.

► **Fig.14:** 1. Filtru de performanță ridicată

► **Fig.15:** 1. Buză de fixare

NOTĂ: Înainte de a utiliza aspiratorul, asigurați-vă întotdeauna că verificați dacă filtrul de performanță ridicată este montat corect. Dacă nu este montat corect, praful va pătrunde în carcasa motorului și va duce la defectarea motorului. Dacă apare problema descrisă mai sus, filtrul de performanță ridicată nu este montat corect. Remontați-l corect pentru a remedia problema.

Montați capsula. Aliniați marcajul de pe capsulă cu marcajul de pe mâner și apoi răsuciți ferm capsula în direcția săgeții până când aceasta se fixează.

► **Fig.16:** 1. Marcaj 2. Mâner 3. Capsulă

NOTĂ: Întotdeauna scoateți praful din timp, deoarece puterea de aspirație va fi redusă dacă în aspirator există prea mult praf.

Exemple de probleme

Buza de fixare a filtrului de performanță ridicată nu este blocată bine în canalul carcasei aspiratorului.

► **Fig.17:** 1. Buză de fixare 2. Canelura carcasei aspiratorului

Montarea sau demontarea suportului/filtrului HEPA

Accesoriu opțional

Pentru suport și filtrul spongios

Pentru a demonta suportul, ridicați partea inferioară a stâlpilor suportului cu degetele și eliberați canelura acestuia din proeminența de pe aspirator. Apoi, scoateți filtrul spongios.

► **Fig.18:** 1. Suport 2. Filtru spongios

Pentru montare, aliniați canelurile de pe suport cu proeminența de pe aspirator și apăsați până auziți un clic. Introduceți filtrul spongios între stâlpi și fixați-l în poziția inițială.

Pentru filtrul HEPA

Atunci când montați filtrul HEPA, fixați canelura de pe filtrul HEPA pe proeminența de pe aspirator. Apoi, așezați prefiltrul sau filtrul de performanță ridicată pe filtrul HEPA și rotiți-l pentru a-l fixa ferm. Pentru demontare, executați în ordine inversă procedura de montare.

► **Fig.19:** 1. Filtru HEPA 2. Prefiltru

► **Fig.20:** 1. Filtru HEPA 2. Filtru de performanță ridicată

OPERAREA

ATENȚIE: Nu vă apropiați fața de fanta de ventilație în timp ce aspiratorul funcționează. Dacă materialul suflat ajunge în ochi, este posibil ca acest lucru să provoace vătămări corporale.

Montarea și demontarea accesoriilor de aspirare

ATENȚIE: După montarea accesoriilor, verificați dacă acestea sunt fixate ferm. În cazul în care accesoriile sunt montate necorespunzător, acestea se pot desprinde, cauzând vătămări corporale.

ATENȚIE: Fiți atent să nu vă loviți cu mâna de perete etc. atunci când demontați accesoriile.

Când utilizați accesoriul cu funcție de blocare

Pentru a monta accesoriul, introduceți-l în oficiul de aspirație al aspiratorului până auziți un clic. Asigurați-vă că accesoriul este blocat.

► **Fig.21:** 1. Oficiu de aspirație 2. Accesoriu cu funcție de blocare 3. Cârlig 4. Buton de eliberare

NOTĂ: Atunci când montați accesoriul cu funcție de blocare, asigurați-vă că aliniați butonul de eliberare de pe aspirator cu cârligul de pe accesoriu. Dacă acestea nu sunt aliniate, accesoriul nu se va bloca și se poate desprinde de pe aspirator.

Pentru a-l extrage, trageți accesoriul în timp ce apăsați butonul de eliberare.

► **Fig.22:** 1. Buton de eliberare 2. Accesoriu cu funcție de blocare

Când utilizați accesoriul fără funcție de blocare

ATENȚIE: Pentru a conecta accesoriul fără funcție de blocare, introduceți-l prin răsucire în direcția săgeții pentru a asigura conexiunea în timpul utilizării. Pentru a deconecta accesoriul, extrageți-l tot prin răsucire în direcția săgeții. Dacă accesoriul este răsucit în direcția opusă, capsula se poate slăbi.

► **Fig.23**

Curățarea (Aspirarea)

Duză

Montați duza pentru a curăța mesele, birourile, mobila etc. Duza alunecă foarte ușor.

► **Fig.24:** 1. Duză

Duză + Tub de extensie (Țeavă dreaptă)

Tubul de extensie se montează între duză și aspiratorul propriu-zis. Această configurație este confortabilă pentru curățarea podelei în timp ce stați în picioare.

► **Fig.25:** 1. Corp aspirator 2. Tub de extensie (Țeavă dreaptă) 3. Duză

Duză cadru

Montați duza cadru pentru a curăța colțurile și spațiile înguste ale unei mașini sau ale mobilei.

► **Fig.26:** 1. Duză cadru 2. Corp aspirator

Puteți depozita duza cadru în suportul pentru duze.

► **Fig.27:** 1. Suport pentru duze 2. Duză cadru

ATENȚIE: Aveți grijă să nu vă prindeți degetul (degetele) între duza cadru și suportul pentru duze. Prinderea degetului (degetelor) poate provoca vătămări.

Duză cadru + Tub de extensie (Țeavă dreaptă)

În locurile strâmte unde aspiratorul nu poate fi introdus, sau în locurile înalte la care este greu de ajuns, utilizați această configurație.

► **Fig.28:** 1. Duză cadru 2. Tub de extensie (Țeavă dreaptă) 3. Corp aspirator

Curățarea fără duză

Puteți aspira pulberea și praful fără duză.

► **Fig.29**

Pentru a aspira praful de pe podea în timp ce stați în picioare, este mai confortabil să montați tubul de extensie pe aspirator.

► **Fig.30:** 1. Tub de extensie (Țeavă dreaptă)

ÎNȚREȚINERE

ATENȚIE: Asigurați-vă întotdeauna că mașina este oprită și cartușul acumulatorului scos înainte de a executa lucrările de inspecție și întreținere.

Pentru a menține SIGURANȚA și FIABILITATEA produsului, reparațiile și orice alte lucrări de întreținere sau reglare trebuie executate de centre de service Makita autorizate sau proprii, folosind întotdeauna piese de schimb Makita.

După utilizare

ATENȚIE: Sprijinirea aspiratorului de perete, fără niciun alt suport, poate cauza căderea aspiratorului, ceea ce poate conduce la vătămări corporale sau la deteriorarea aspiratorului.

► **Fig.31**

Curățarea

ATENȚIE: Curățați filtrele atunci când acestea se înfundă. Continuarea utilizării acestora atunci când sunt înfundate poate duce la încălzire sau la apariția unui incendiu.

NOTĂ: Nu utilizați niciodată gazolină, benzină, diluant, alcool sau alte substanțe asemănătoare. În caz contrar, pot rezulta decolorări, deformări sau fisuri.

NOTĂ: Nu suflați depunerile de praf de pe aspirator și de pe filtre cu un dispozitiv de îndepărtare a prafului prin suflare cu aer comprimat. Acest lucru permite pătrunderea prafului în carcasă și cauzează defecțiuni.

NOTĂ: După spălare, uscați filtrele complet înainte de utilizare. Filtrele uscate insuficient pot avea ca efect o putere mică de aspirare și pot scurta durata de viață a motorului.

NOTĂ: După curățare, asigurați-vă că reinstalați filtrele și filtrul spongios înainte de utilizare. Praful pătrunde în carcasa motorului și cauzează defecțiuni dacă utilizați aspiratorul fără filtre și fără filtrul spongios.

Corp aspirator

Din când în când ștergeți suprafața exterioară (corpul aspiratorului) a aspiratorului utilizând o lavetă umezită în apă cu săpun.

Curățați și deschiderea de aspirare și zona de montaj a filtrului.

► **Fig.32**

Filtru de performanță ridicată

Spălați filtrul în apă cu săpun atunci când acesta este înfundat și când se reduce puterea aspiratorului. Uscați-l complet înainte de utilizare.

► Fig.33

Filtru HEPA

Accesorii opționale

NOTĂ: Nu frecăți și nu zgâriați filtrul HEPA cu obiecte dure, precum o perie sau o racletă.

Un filtru HEPA înfundat reduce capacitatea de aspirație. Curățați filtrul în mod regulat.

Ocazional, spălați filtrul HEPA în apă, clătiți-l și uscați-l complet la umbră înainte de utilizare. Nu spălați niciodată filtrul în mașina de spălat.

► Fig.34

Filtru spongios

Atunci când este murdar, curățați filtrul spongios respectând procedura următoare.

1. Scoateți filtrele care acoperă suportul.
2. Trageți filtrul spongios dintre stâlpi.
3. Curățați filtrul spongios, lovindu-l ușor cu palma sau spălându-l. Dacă îl spălați, uscați-l complet înainte de utilizare.

Depanare

Înainte de a solicita reparații, verificați următoarele puncte.

Simptom	Zona care trebuie investigată	Metoda de fixare
Putere slabă de aspirație	Capsula este plină de praf?	Eliminați tot praful din capsulă.
	Este filtrul înfundat?	Curățați sau spălați filtrul.
	Cartușul acumulatorului este descărcat?	Încărcați cartușul acumulatorului.
Nu funcționează	Cartușul acumulatorului este descărcat?	Încărcați cartușul acumulatorului.
Zgomot și vibrație	Este filtrul înfundat?	Curățați sau spălați filtrul.
	Duza, țeava sau orificiul de aspirație a/al aparatului este înfundat(ă)?	Eliminați obiectele înfundate din duza, țeava sau orificiul de aspirație a/al aparatului.
	Orificiul duzei/țevii este blocat?	Nu blocați orificiul duzei/țevii.

ATENȚIE: Nu încercați să reparați aspiratorul pe cont propriu.

ACCESORII OPȚIONALE

ATENȚIE: Folosiți accesoriile sau piesele auxiliare recomandate pentru mașina dumneavoastră Makita în acest manual. Utilizarea oricăror alte accesorii sau piese auxiliare poate prezenta risc de vătămare corporală. Utilizați accesoriile și piesele auxiliare numai în scopul destinat.

Dacă aveți nevoie de asistență sau de mai multe detalii referitoare la aceste accesorii, adresați-vă centrului local de service Makita.

- Tub de extensie (Țeavă dreaptă)
- Duză
- Duză pentru covoare

4. Introduceți filtrul spongios între stâlpi și fixați-l în poziția inițială. Asigurați-vă că fiecare margine inferioară a stâlpului apasă filtrul spongios și că nu există niciun spațiu liber între filtrul spongios și deschiderea de aspirație.

► Fig.35: 1. Filtru spongios 2. Margine inferioară a stâlpului

Suport de perete pentru aspirator cu acumulator

Accesorii opționale

NOTĂ: Șurubul pentru fixarea suportului nu este inclus. Pregătiți un șurub care să corespundă materialului de înșurubat.

Fixați suportul de perete pentru aspiratorul cu acumulator de un perete, o grindă sau o coloană solidă din lemn, unde suportul de perete pentru aspiratorul cu acumulator poate fi bine fixat. Asigurați-vă întotdeauna că suportul de perete pentru aspiratorul cu acumulator este bine fixat înainte de a agăța aspiratorul.

► Fig.36: 1. Suport de perete pentru aspirator cu acumulator

ATENȚIE: Nu agățați aspiratorul de suportul de perete într-un mod violent și nu agățați de el alte aparate electrocasnice.

- Perie pentru rafturi
- Duză cadru
- Perie rotundă
- Furtun flexibil
- Filtru (material textil nețesut)
- Prefiltru
- Filtru de performanță ridicată
- Filtru HEPA
- Duză scaun
- Duză pentru curățarea spațiilor greu accesibile
- Suport de perete pentru aspirator cu acumulator
- Unitatea ciclon
- Ciclon pentru colectarea prafului
- Geantă de scule
- Acumulator și încărcător original Makita

NOTĂ: Unele articole din listă pot fi incluse ca accesorii standard în ambalajul de scule. Acestea pot diferi în funcție de țară.

Ciclon pentru colectarea prafului

Accesorii opționale

► **Fig.37:** 1. Buton de eliberare 2. Cârlig 3. Tub de extensie (Țeavă dreaptă) 4. Ciclon pentru colectarea prafului 5. Orificiu de aspirație

Despre ciclonul pentru colectarea prafului

Utilizarea aspiratorului cu ciclonul pentru colectarea prafului montat reduce cantitatea de praf care ajunge în capsulă, ceea ce ajută la prevenirea diminuării forței de aspirare. În plus, și curățarea după utilizare este simplă.

⚠ATENȚIE: Înainte de a executa orice lucrări la mașină, asigurați-vă întotdeauna că mașina este oprită și cartușul acumulatorului este scos. În cazul în care cartușul acumulatorului este lăsat în aspirator, acesta ar putea porni în mod neașteptat și poate provoca vătămări.

⚠ATENȚIE: Curățați filtrul cu găuri al ciclonului pentru colectarea prafului și filtrele unității aspiratorului atunci când se înfundă. Continuarea utilizării acestora atunci când sunt înfundate poate duce la încălzire sau la apariția emisiilor de fum.

NOTĂ: Când ciclonul pentru colectarea prafului este atașat, nu utilizați aspiratorul în poziție orizontală sau orientat în sus. În caz contrar, filtrul cu găuri se poate înfunda.

NOTĂ: Utilizați întotdeauna aspiratorul cu filtrele montate, chiar și atunci când utilizați ciclonul pentru colectarea prafului. Utilizarea aspiratorului fără filtrele montate poate provoca funcționarea necorespunzătoare a motorului.

NOTĂ: Înainte de utilizare, asigurați-vă că aspiratorul, ciclonul pentru colectarea prafului și tubul de extensie (țeava dreaptă) sunt blocate în mod corespunzător.

NOTĂ: Goliți cutia pentru praf a ciclonului pentru colectarea prafului și capsula aspiratorului atunci când s-a acumulat praf. Continuarea utilizării va provoca diminuarea forței de aspirare.

NOTĂ: Ciclonul pentru colectarea prafului poate fi utilizat și fără funcția de blocare.

NOTĂ: Pentru montarea sau demontarea ciclonului pentru colectarea prafului, consultați secțiunea „Montarea și demontarea accesoriilor de aspirare”.

Eliminarea prafului

Când s-a acumulat praf până la linia de pe cutia de praf care indică nivelul maxim, urmați procedura de mai jos și eliminați praful.

1. Țineți bine cutia pentru praf, apăsați și țineți apăsată cele două butoane și apoi scoateți cutia pentru praf.

► **Fig.38:** 1. Linia care indică nivelul maxim 2. Cutie pentru praf 3. Buton (două locuri) 4. Filtru cu găuri

2. Eliminați praful din cutia pentru praf și îndepărtați praful și particulele care s-au prins pe suprafața filtrului cu găuri.

3. Introduceți cutia pentru praf până la capăt, până când cele două butoane se blochează cu un clic.

► **Fig.39:** 1. Cutie pentru praf 2. Buton (două locuri)

⚠ATENȚIE: La reasamblarea cutiei pentru praf, fiți atent să nu vă prindeți degetele.

NOTĂ: Înainte de reluarea operației, asigurați-vă că aspiratorul, ciclonul pentru colectarea prafului și tubul de extensie (țeava dreaptă) sunt blocate în mod corespunzător.

NOTĂ: Dacă forța de aspirare nu revine la normal nici după eliminarea prafului și curățarea filtrului cu găuri, verificați dacă s-a acumulat praf în capsula aspiratorului sau dacă aspiratorul este înfundat.

NOTĂ: Praful poate fi proiectat la golirea ciclonului pentru colectarea prafului. Aveți grijă ca praful să nu vă intre în ochi.

Curățarea

⚠ATENȚIE: După spălarea ciclonului pentru colectarea prafului, uscați-l complet înainte de utilizare. Componentele uscate insuficient pot duce la electrocutare sau la deteriorarea aparatului.

Când cutia de praf se murdărește sau filtrul cu găuri se înfundă, scoateți-le și spălați-le cu apă. (Pentru procedura de îndepărtare, consultați secțiunea „Eliminarea prafului”.)

Înainte de remontare și utilizare, uscați bine componentele.

► **Fig.40:** 1. Cutie pentru praf 2. Filtru cu găuri

Când filtrul cu găuri devine extrem de murdar, spălați-l urmând procedurile de mai jos.

1. Rotiți filtrul cu găuri în direcția săgeții și scoateți-l când cârligele sunt deblocate.

► **Fig.41:** 1. Filtru cu găuri 2. Cârlig

2. Îndepărtați praful de pe filtrul cu găuri și spălați-l cu apă. Apoi, uscați-l bine.

3. Introduceți filtrul cu găuri în suport atunci când cârligele sunt aliniate cu orificiul. Rotiți filtrul cu găuri în direcția săgeții până când cârligele sunt blocate cu un clic. Asigurați-vă că filtrul cu găuri este bine fixat în poziție.

► **Fig.42:** 1. Filtru cu găuri 2. Cârlig 3. Orificiu

ПОПЕРЕДЖЕННЯ

- Дітям віком від 8 років, а також особам з обмеженими фізичними, сенсорними або розумовими здібностями та особам із недостатнім досвідом і знаннями дозволяється використовувати цей прилад лише за умови, що за ними встановлено нагляд або їм було надано інструкції стосовно безпечного використання цього приладу й вони усвідомлюють потенційну небезпеку від його використання.
- Дітям не дозволяється грати із цим приладом. Дітям не дозволяється виконувати чищення або проводити технічне обслуговування приладу без нагляду дорослих.
- Тип акумулятора див. у розділі «ТЕХНІЧНІ ХАРАКТЕРИСТИКИ».
- Інструкції щодо встановлення та зняття акумулятора див. у розділі «Встановлення та зняття касети з акумулятором».
- Для утилізації касети з акумулятором витягніть її з інструмента та утилізуйте безпечним способом. Дотримуйтеся норм місцевого законодавства щодо утилізації акумуляторів.
- Якщо інструментом не користуватимуться протягом тривалого періоду часу, вийміть акумулятор з інструмента.
- Не закоротіть касету з акумулятором.
- Відомості про заходи безпеки під час обслуговування виробу користувачем див. у розділі «ТЕХНІЧНЕ ОБСЛУГОВУВАННЯ».

ТЕХНІЧНІ ХАРАКТЕРИСТИКИ

Модель:	DCL283F
Ємність	730 мл
Тривалість використання (з акумулятором BL1830B)	Близько 10 хв
Загальна довжина (з трубою, насадкою та акумулятором BL1830B)	1 066 мм
Номінальна напруга	18 В пост. струму
Маса нетто	1,3—1,7 кг

- Оскільки наша програма наукових досліджень і розробок триває безперервно, наведені тут технічні характеристики можуть бути змінені без попередження.
- У різних країнах технічні характеристики можуть бути різними.
- Вага не включає жодних додаткових приладів, окрім касети (касет) з акумулятором. Найменша або найбільша комбінація ваги пристрою та касети (касет) з акумулятором наведені в таблиці.

Застосовна касета з акумулятором і зарядний пристрій

Касета з акумулятором	BL1815N / BL1820B / BL1830B / BL1840B / BL1850B / BL1860B
Зарядний пристрій	DC18RC / DC18RD / DC18RE / DC18SD / DC18SE / DC18SF / DC18SH / DC18WC

- Деякі касети з акумулятором і зарядні пристрої, які вказано вище, можуть бути недоступними залежно від вашого регіону або місця перебування.

▲ ПОПЕРЕДЖЕННЯ: Використовуйте лише касети з акумулятором і зарядні пристрої, перелічені вище. Використання будь-яких інших касет з акумулятором і зарядних пристроїв може призвести до травмування й/або пожежі.

Символи

Далі наведено символи, які можуть застосовуватися для позначення обладнання. Перед користуванням переконайтеся, що ви розумієте їхнє значення.



Читайте посібник з експлуатації.



Типовий акумулятор для застосування в цьому виробі.



Ni-MH
Li-Ion

Тільки для країн ЄС
Через наявність в обладнанні небезпечних компонентів відходи електричного та електронного обладнання, акумулятори та батареї можуть негативно впливати на навколишнє середовище та здоров'я людини. Не викидайте електричні та електронні прилади або батареї разом з побутовими відходами! Відповідно до директиви ЄС стосовно відходів електричного та електронного обладнання, акумуляторів, батарей та відходів акумуляторів і батарей, а також відповідно до її адаптації до національного законодавства, відходи електричного обладнання, батареї та акумулятори слід зберігати окремо й доставляти на пункт роздільного збору комунальних відходів, який працює з дотриманням правил охорони навколишнього середовища. Це позначено символом у вигляді перекресленого сміттевого контейнера з колесами, нанесеним на обладнання.

Призначення

Інструмент призначено для збирання сухого пилю.

ПОПЕРЕДЖЕННЯ ПРО ДОТРИМАННЯ ТЕХНІКИ БЕЗПЕКИ

Попередження про необхідну обережність під час роботи з бездротовим пилососом

⚠ ПОПЕРЕДЖЕННЯ: ВАЖЛИВО!
ПРОЧИТАЙТЕ УВАЖНО всі попередження про необхідну обережність під час роботи та всі інструкції ПЕРЕД ВИКОРИСТАННЯМ.
Недотримання попереджень та інструкцій може призвести до ураження електричним струмом, до виникнення пожежі та/або до отримання серйозних травм.

1. Не залишайте інструмент під дощем. Зберігайте у приміщенні.
2. Не допускайте, щоб з цим приладом гралися діти. Потрібно бути пильним, якщо інструмент використовується дітьми або поблизу від них.
3. Використовуйте лише у відповідності з цією інструкцією. Використовуйте лише допоміжне обладнання, яке рекомендоване виробником.

4. Не використовуйте, якщо акумулятор пошкоджений. Якщо прилад не працює належним чином, його впустили, пошкодили, залишили під дощем або зронили у воду, його слід відправити до сервісного центру.
5. Не торкайтеся приладу мокрими руками.
6. Не встромляйте жодних предметів у отвори. Не використовуйте прилад із заблокованими отворами; не допускайте їх блокування пилом, пухом, волоссям або будь-чим, що може послабити потік повітря.
7. Слідкуйте, щоб волосся, просторий одяг, а також пальці та інші частини тіла не потрапили до отворів та рухомих частин приладу.
8. Перед зніманням акумулятора вимикайте всі елементи керування.
9. Будьте особливо обережні під час прибирання на сходах.
10. Уникайте потрапляння на прилад займих або пальних рідин, наприклад бензину, та не використовуйте прилад в місцях їх застосування.
11. Для перезарядження акумулятора використовуйте тільки зарядні пристрої, що постачається виробником.
12. Уникайте контакту приладу з будь-якими речовинами та предметами, що горять або димлять, наприклад цигарками, сірниками або гарячим попелом.
13. Не використовуйте без мішка для пилю і (або) встановлених фільтрів.
14. Перезаряджайте акумулятор тільки в приміщенні.
15. Перезаряджайте акумулятор лише за допомогою зарядного пристрою, вказаного виробником. Зарядний пристрій, який підходить для одного типу акумуляторів, може призвести до пожежі при використанні з акумулятором іншого типу.
16. Використовуйте пристрої лише зі спеціально призначеним типом акумуляторів. Використання акумуляторів інших типів може призвести до травм і пожежі.
17. Коли акумулятор не використовується, тримайте його подалі від таких металевих предметів, що можуть закортити клеми акумулятора, наприклад скріпок, монет, ключів, цвяхів, гвинтів тощо.
18. За неналежних умов зберігання з акумулятора може витекти рідина, контакту з якою слід уникати. У разі випадкового потрапляння рідини на тіло уражену частину необхідно промити водою.
19. Не користуйтеся акумуляторним блоком або пристроєм, які було змінено чи пошкоджено. Експлуатація акумуляторів, які було змінено чи пошкоджено, може бути небезпечною й спричинити пожежу, вибух або травму.
20. Не надавайте акумулятор або пристрій впливу вогню чи надмірної температури. Вплив вогню або температури вище 130 °C може спричинити вибух.

21. **Дотримуйтеся всіх вказівок із заряджання й не заряджайте акумулятор або пристрій за температури за межами зазначеного в інструкції діапазону.** Неправильне заряджання або заряджання при температурі поза межами вказаного діапазону може призвести до пошкодження акумулятора й підвищити ризик займання.

ЗБЕРІГАЙТЕ ЦІ ВКАЗІВКИ.

ДОДАТКОВІ ПРАВИЛА БЕЗПЕКИ

Цей прилад призначений тільки для побутового використання.

1. **Перед використанням уважно прочитайте цю інструкцію, а також інструкцію до зарядного пристрою.**
2. **Уникайте таких речовин та предметів, як:**
 - гарячі речовини, що горять або димлять (сигарети, сірники, ароматичні палички, свічки, гарячий попіл), іскри та металевий пил, що утворюються під час різання або шліфування металу тощо;
 - легкозаймиста рідина (гас, бензин, розчинники, як-от бензин, розчинник тощо);
 - легкозаймистий матеріал (тонер, фарба, спрей тощо);
 - вибухові або пірофорні речовини (нітрогліцерин, алюміній, магній, титан, цинк, червоний фосфор, жовтий фосфор, целулоїд тощо та їх пил, газ або пара);
 - рідина, олива, вологий бруд або вологе сміття, включаючи блювоту та екскременти;
 - тверді предмети з гострими краями (дерев'яна стружка, метал, каміння, склянки, цвяхи, шпильки, бритви або столові прибори);
 - затверджуючий і провідний дрібний порошок (металевий або вугільний порошок);
 - піна, як засіб для чищення килимів тощо (може спричинити вибух або пожежу);
 - велика кількість порошку (борошно, вогнегасний порошок тощо);
 - речовини, що викликають симптоми інтоксикації;
 - агресивні хімічні речовини (кислота, луг тощо);
 - дрібний сполучний порошок, наприклад цемент;
 - дрібні частки, наприклад бетонний пил;
 - десиканти;
 - азбест;
 - пестициди.

- У протилежному випадку це може призвести до пожежі, травми та (або) пошкодження майна. Щоб зменшити вплив цих хімічних речовин, завжди надягайте схвалені засоби захисту органів дихання, наприклад протипилові маски, спеціально розроблені для фільтрації мікроскопічних часток. Направляйте видіне повітря в бік від свого обличчя та тіла.
3. **Негайно зупиніть інструмент, якщо помітите відхилення в його роботі.**
 4. **Якщо ви впустили або вдарили пилосос, перед подальшим використанням його слід ретельно оглянути на наявність тріщин або пошкоджень.**
 5. **Заборонено підносити інструмент близько до кухонних плит або інших джерел тепла.**
 6. **Заборонено блокувати забірний або вентиляційні отвори.**

ЗБЕРІГАЙТЕ ЦІ ВКАЗІВКИ.

Важливі інструкції з безпеки для касети з акумулятором

1. **Перед тим як користуватися касетою з акумулятором, слід прочитати всі інструкції та застережні знаки щодо (1) зарядного пристрою акумулятора, (2) акумулятора та (3) виробів, що працюють від акумулятора.**
2. **Не розбирайте касету з акумулятором і не змінюйте її конструкцію.** Це може призвести до пожежі, перегріву або вибуху.
3. **Якщо період роботи дуже покоротшав, слід негайно припинити користування.** Це може призвести до виникнення ризику перегріву, опіку та навіть вибуху.
4. **У разі потрапляння електроліту в очі слід промити їх чистою водою та негайно звернутися до лікаря.** Це може призвести до втрати зору.
5. **Не закоротіть касету з акумулятором.**
 - (1) **Не слід торкатися клем будь-яким струмопровідним матеріалом.**
 - (2) **Не слід зберігати касету з акумулятором у ємності з іншими металевими предметами, такими як цвяхи, монети тощо.**
 - (3) **Не залишайте касету з акумулятором під дощем, запобігайте контакту з водою.**Коротке замикання може призвести до появи значного струму, перегріву, можливих опіків та навіть виходу з ладу.
6. **Не слід зберігати й використовувати інструмент і касету з акумулятором у місцях, де температура може сягнути чи перевищити 50 °C (122 °F).**
7. **Не слід спалювати касету з акумулятором, навіть якщо вона була неодноразово пошкоджена або повністю спрацьована.** Касета з акумулятором може вибухнути у вогні.
8. **Заборонено забивати цвяхи в касету з акумулятором, різати, ламати, кидати, впускати касету з акумулятором або вдаряти її твердим предметом.** Це може призвести до пожежі, перегріву або вибуху.

9. Не слід використовувати пошкоджений акумулятор.
10. Літій-іонні акумулятори, що містяться в інструменті, мають відповідати вимогам законів про небезпечні товари.
Під час транспортування за допомогою комерційних перевезень, наприклад із залученням третьої сторони та експедиторів, необхідно дотримуватись особливих вимог, вказаних на пакуванні й у маркуванні.
Під час підготування позиції до відправлення необхідно проконсультуватись зі спеціалістом з небезпечних матеріалів. Крім того, слід виконувати більш докладні національні настанови, якщо такі є.
Заклейте відкриті контакти стрічкою або заховайте їх і запакуйте акумулятор таким чином, щоб він не міг рухатися в пакуванні.
11. Для утилізації касети з акумулятором витягніть її з інструмента та утилізуйте безпечним способом. Дотримуйтеся норм місцевого законодавства щодо утилізації акумуляторів.
12. Використовуйте акумулятори лише з виробами, указаними компанією Makita.
Установлення акумуляторів у невідповідні виробы може призвести до пожежі, надмірного нагрівання, вибуху чи витоку електроліту.
13. Якщо інструментом не користуватимуться протягом тривалого періоду часу, вийміть акумулятор з інструмента.
14. Під час і після використання касета з акумулятором може нагріватися, що може стати причиною опіків або низькотемпературних опіків. Будьте обережні під час поводження з гарячою касетою з акумулятором.
15. Не торкайтесь контактів інструмента відразу після використання, оскільки він може бути досить гарячим, щоб викликати опіки.
16. Не допускайте, щоб уламки, пил або земля прилипали до контактів, отворів і пазів на касеті з акумулятором. Це може призвести до перегріву, займання, вибуху та виходу з ладу інструмента або касети з акумулятором і спричинити опіки або травми.
17. Якщо інструмент не розраховано на використання поблизу високовольтних ліній електропередач, не використовуйте касету з акумулятором поблизу високовольтних ліній електропередач. Це може призвести до несправності, поломки інструмента або касети з акумулятором.
18. Тримайте акумулятор у недоступному для дітей місці.

ЗБЕРІГАЙТЕ ЦІ ВКАЗІВКИ.

⚠ОБЕРЕЖНО: Використовуйте тільки акумулятори Makita. Використання акумуляторів, інших ніж оригінальні акумулятори Makita, або акумуляторів, конструкцію яких було змінено, може призвести до вибуху акумулятора і спричинити пожежу, травму або пошкодження. У зв'язку з цим також буде анульовано гарантію Makita на інструмент Makita і на зарядний пристрій.

Поради з забезпечення максимального строку експлуатації акумулятора

1. Касету з акумулятором слід заряджати до того, як він розрядиться повністю. Завжди слід зупинити роботу інструмента та зарядити акумулятор, якщо ви помітили зменшення потужності інструмента.
2. Ніколи не слід заряджати повторно повністю заряджену касету з акумулятором. Перезарядження скорочує строк експлуатації акумулятора.
3. Заряджайте касету з акумулятором при кімнатній температурі 10°C - 40°C (50°F - 104°F). Перед тим як заряджати касету з акумулятором, слід зачекати, доки вона охолоне.
4. Коли касета з акумулятором не використовується, виймайте її з інструмента або зарядного пристрою.
5. Якщо касета з акумулятором не використовувалася тривалий час (понад шість місяців), її слід зарядити.

ОПИС РОБОТИ

⚠ОБЕРЕЖНО: Обов'язково переконайтеся, що прилад вимкнено, а касету з акумулятором знято, перед регулюванням або перевіркою функціонування інструмента.

⚠ОБЕРЕЖНО: Заряджаючи касету з акумулятором, слідкуйте, щоб між пілососом та акумулятором не потрапили пальці, як показано на малюнку. Защемлення пальців може призвести до травм.

► Рис.1

Встановлення та зняття касети з акумулятором

⚠ОБЕРЕЖНО: Завжди вимикайте інструмент перед встановленням або зняттям касети з акумулятором.

⚠ОБЕРЕЖНО: Під час встановлення або зняття касети з акумулятором слід міцно тримати інструмент та касету з акумулятором. Якщо ви утримуватимете інструмент та касету з акумулятором недостатньо міцно, вони можуть вислизнути з рук, що може призвести до пошкодження інструмента та касети з акумулятором або може спричинити травми.

Щоб зняти касету з акумулятором, слід витягнути її з інструмента, натиснувши на кнопку в передній частині касети.

► Рис.2: 1. Червоний індикатор 2. Кнопка 3. Касета з акумулятором

Щоб установити касету з акумулятором, слід сумістити виступ на касеті з акумулятором із пазом у корпусі й вставити касету на місце. Вставляйте її до кінця, щоб вона зафіксувалася з легким клацанням. Якщо ви бачите червоний індикатор, як показано на рисунку, її не зафіксовано повністю.

⚠ОБЕРЕЖНО: Завжди вставляйте касету з акумулятором повністю, щоб червоного індикатора не було видно. Якщо цього не зробити, касета може випадково випасти з інструмента та завдати травми вам або людям, що знаходяться поряд.

⚠ОБЕРЕЖНО: Не встановлюйте касету з акумулятором із зусиллям. Якщо касета не вставляється легко, то це означає, що ви її неправильно вставляєте.

Система захисту інструмента/ акумулятора

Інструмент оснащено системою захисту інструмента/ акумулятора. Ця система автоматично вимикає живлення двигуна з метою збільшення терміну служби інструмента й акумулятора. Інструмент автоматично зупиняється під час роботи, якщо інструмент або акумулятор опиняться в зазначених нижче умовах.

Перевантаження:

Інструмент / акумулятор споживає струм зависокої потужності під час роботи.

У такому разі вимкніть інструмент і припиніть роботу, під час виконання якої інструмент зазнав перевантаження. Щоб перезапустити інструмент, увімкніть його знову.

Перегрівання:

Інструмент / акумулятор перегрівся. У такому разі дайте інструменту / акумулятору охолонути, перш ніж знову вмикати інструмент.

Низька напруга акумулятора:

Залишкова ємність акумулятора занадто низька, тому інструмент не буде працювати. У такому разі вийміть і зарядіть акумулятор.

Захист від інших неполадок:

Система захисту також забезпечує захист від інших неполадок, які можуть призвести до пошкодження інструмента, і забезпечує автоматичне зупинення інструмента. У разі тимчасової зупинки або припинення роботи інструмента виконайте всі зазначені нижче дії для усунення причини зупинки.

1. Вимкніть і знову увімкніть інструмент, щоб перезапустити його.
2. Зарядіть акумулятор(-и) або замініть його(їх) зарядженим(-и).
3. Дайте інструменту й акумулятору(-ам) охолонути.

Якщо після відновлення вихідного стану системи захисту ситуація не зміниться, зверніться до місцевого сервісного центру Makita.

Відображення залишкового заряду акумулятора

Тільки для касет з акумулятором, які мають індикатори

► **Рис.3:** 1. Індикаторні лампи 2. Кнопка перевірки

Натисніть кнопку перевірки на касеті з акумулятором для відображення залишкового ресурсу акумулятора. Індикаторні лампи загоряться на кілька секунд.

Індикаторні лампи			Залишковий ресурс
 Горить	 Вимк.	 Блимає	
			від 75 до 100%
			від 50 до 75%
			від 25 до 50%
			від 0 до 25%
			Зарядіть акумулятор.
			Можливо, акумулятор вийшов з ладу.
			

ПРИМІТКА: Залежно від умов використання та температури оточуючого середовища показання можуть незначним чином відрізнятися від дійсного ресурсу.

ПРИМІТКА: Перша (дальня ліва) індикаторна лампа блимає під час роботи захисної системи акумулятора.

Дія вмикача

⚠ОБЕРЕЖНО: Перед установленням касети з акумулятором в інструмент переведіть повзунковий перемикач у положення «O» і переконайтеся в тому, що курок вмикача працює правильно й повертається в положення «OFF» (Вимк.) після відпускання.

Коли повзунковий перемикач переведено в положення «O».

Щоб почати роботу з інструментом, просто натисніть на курок вмикача. Щоб зупинити роботу, відпустіть курок вмикача.

► **Рис.4:** 1. Повзунковий перемикач 2. Курок вмикача

Коли повзунковий перемикач переведено в положення «I».

Коли повзунковий перемикач переведено в положення «I», курок вмикача спрацьовує автоматично й пилосос продовжує працювати. Щоб зупинити пилосос, установіть повзунковий перемикач у положення «O» і відпустіть курок вмикача.

► **Рис.5:** 1. Повзунковий перемикач 2. Курок вмикача

Увімкнення підсвічування

⚠ОБЕРЕЖНО: Не дивіться на світло або безпосередньо на джерело світла.

Щоб увімкнути підсвічування, натисніть на курок вмикача або встановіть повзунковий перемикач у положення «1».

Поки пілосос працює, індикатор горить.

Підсвічування згасне відразу після того, як роботу буде припинено.

ПРИМІТКА: Коли залишковий заряд акумулятора стає низьким, індикатор починає блимати. Час, коли індикатор акумулятора починає блимати, залежить від температури на робочому місці та від стану касети з акумулятором.

- **Рис.6:** 1. Лампа 2. Повзунковий перемикач
3. Курок вмикача

ЗБОРКА

⚠ОБЕРЕЖНО: Обов'язково переконайтеся, що прилад вимкнено, а касету з акумулятором знято, перш ніж проводити будь-які роботи з інструментом.

Опис деталей

Додаткове приладдя

Фільтр підвищеної ефективності, каркас і губчатий фільтр

- **Рис.7:** 1. Контейнер 2. Фільтр підвищеної ефективності 3. Каркас 4. Губчатий фільтр

Фільтр попереднього очищення або Фільтр підвищеної ефективності й фільтр HEPA

- **Рис.8:** 1. Контейнер 2. Фільтр попереднього очищення 3. Фільтр підвищеної ефективності 4. Фільтр HEPA

УВАГА: Не кладіть під фільтр підвищеної ефективності додатковий фільтр (з нетканої тканини). Фільтри неможливо зняти з пілососа.

ПРИМІТКА: Не встановлюйте додатковий фільтр (з нетканої тканини) між фільтром HEPA та фільтром попереднього очищення. Це може призвести до зниження потужності всмоктування.

ПРИМІТКА: Установлюючи фільтр підвищеної ефективності на фільтр HEPA, завжди використовуйте спеціальний каркас.

- **Рис.9:** 1. Фільтр підвищеної ефективності
2. Каркас (призначений для фільтра підвищеної ефективності)

Видалення пилу

⚠ОБЕРЕЖНО: Пілосос слід спорожнювати до повного заповнення, інакше силу всмоктування буде послаблено.

⚠ОБЕРЕЖНО: Внутрішню частину пілососа слід обов'язково звільняти від пилу. Невиконання цієї вимоги може призвести до засмічення фільтра або пошкодження двигуна.

Для видалення пилу, налиплого на фільтри в контейнері, постукайте рукою по контейнеру 4–5 разів.

- **Рис.10:** 1. Контейнер

Поверніть отвір усмоктування вниз, поверніть контейнер у напрямку, показаному стрілкою на рисунку, і повільно від'єднайте контейнер, тягнучи його в напрямку від себе.

- **Рис.11:** 1. Контейнер 2. Отвір усмоктування

ПРИМІТКА: Під час відкриття контейнера пил може висипатися, тому під ним обов'язково встановлюйте мішок для сміття.

Видаліть пил із контейнера й фільтра підвищеної ефективності.

- **Рис.12:** 1. Контейнер 2. Фільтр підвищеної ефективності

Поверніть фільтр підвищеної ефективності в напрямку, показаному стрілкою, щоб відстібнути крипильний фланець від корпусу пілососа, після чого витягніть фільтр підвищеної ефективності.

- **Рис.13:** 1. Крипильний фланець

ПРИМІТКА: За використання фільтра попереднього очищення також дотримуйтеся наведеної вище процедури.

Вичистіть дрібний пил із злегка постукайте по фільтру підвищеної ефективності, щоб вибити пил.

Повторний монтаж

Приєднайте фільтр підвищеної ефективності. Одночасно переконайтеся, що фільтр підвищеної ефективності повернуто таким чином, щоб крипильний фланець було щільно зафіксовано в корпусі пілососа.

- **Рис.14:** 1. Фільтр підвищеної ефективності

- **Рис.15:** 1. Крипильний фланець

УВАГА: Перед використанням пілососа слід завжди перевіряти правильність встановлення фільтра підвищеної ефективності. У разі неправильного встановлення пил потраплятиме в корпус двигуна, що призведе до пошкодження двигуна.

Виникнення описаної далі проблеми означає, що фільтр підвищеної ефективності встановлено неправильно. Перевстановіть його належним чином, щоб усунути проблему.

Прикріпіть контейнер. Сумістіть позначку на контейнері з позначкою на ручці, потім із зусиллям поверніть контейнер у напрямку, показаному стрілкою, до його повної фіксації.

- **Рис.16:** 1. Позначка 2. Рукотка 3. Контейнер

ПРИМІТКА: Пил слід видаляти заздалегідь, оскільки накопичування в пирососі великої кількості пилу призводить до послаблення сили всмоктування.

Приклади проблем

Кріпильний фланець фільтра підвищеної ефективності недостатньо щільно зафіксовано в пазу на корпусі пирососа.

► **Рис.17:** 1. Кріпильний фланець 2. Паз у корпусі пирососа

Установлення або зняття каркаса / фільтра HEPA

Додаткове приладдя

Дії для каркаса й губчатого фільтра

Для видалення каркаса підніміть нижню частину стійок каркаса пальцями й роз'єднайте паз і виступ на пирососі. Після цього зніміть губчатий фільтр.

► **Рис.18:** 1. Каркас 2. Губчатий фільтр

Для встановлення сумістіть пази на каркасі з виступом на пирососі й притисніть до клацання. Установіть губчатий фільтр в отвір між стійками в початкове положення.

Дії для фільтра HEPA

Під час установлення фільтра HEPA сумістіть паз фільтра HEPA з виступом на пирососі. Потім розмістіть фільтр попереднього очищення або фільтр підвищеної ефективності на фільтрі HEPA й поверніть для фіксації. Щоб виїняти, виконайте процедуру встановлення у зворотному порядку.

► **Рис.19:** 1. Фільтр HEPA 2. Фільтр попереднього очищення

► **Рис.20:** 1. Фільтр HEPA 2. Фільтр підвищеної ефективності

РОБОТА

⚠ОБЕРЕЖНО: Під час роботи з пирососом не тримайте обличчя занадто близько до вентиляційного отвору. Потраплення в очі сторонніх предметів може призвести до травми.

Установлення та зняття насадок пирососа

⚠ОБЕРЕЖНО: Після встановлення насадок переконайтеся в надійності їх кріплення. У разі неправильного встановлення насадок вони можуть зіскочити й нанести травму.

⚠ОБЕРЕЖНО: Під час зняття насадок будьте обережні, щоб не вдаритися рукою об стіну тощо.

Під час використання насадки з фіксацією

Для встановлення насадки вставте її у всмоктувальний отвір пирососа до клацання. Переконайтеся в тому, що насадку надійно зафіксовано.

► **Рис.21:** 1. Отвір усмоктування 2. Насадка з фіксацією 3. Гачок 4. Кнопка розблокування

УВАГА: Під час установлення насадки з фіксацією сумістіть кнопку розблокування на пирососі з гачком на насадці. Якщо вони не суміщені, насадку не буде зафіксовано, через що вона може зіскочити з пирососа.

Для видалення потягніть насадку, натискаючи кнопку розблокування.

► **Рис.22:** 1. Кнопка розблокування 2. Насадка з фіксацією

Під час використання насадки без фіксації

⚠ОБЕРЕЖНО: Для під'єднання насадки без фіксації поверніть і вставте її в зазначеному стрілкою напрямку, щоб зафіксувати з'єднання. Щоб від'єднати приладдя, витягніть його, повертаючи також у напрямку, показаному стрілкою. Якщо насадку повернути у зворотному напрямку, контейнер може від'єднатися.

► **Рис.23**

Чищення (всмоктування)

Штуцер

Для чищення столів, парт, меблів тощо встановлюйте штуцер. Він легко надівається.

► **Рис.24:** 1. Штуцер

Штуцер + подовжувач (пряма труба)

Подовжувач вставляється між штуцером та пирососом. Така конструкція є зручною для чищення підлоги стоячи.

► **Рис.25:** 1. Корпус пирососа 2. Подовжувач (пряма труба) 3. Штуцер

Насадка з вузьким носиком

Для чищення кутів і щілин у салоні автомобіля або меблях установіть насадку з вузьким носиком.

► **Рис.26:** 1. Насадка з вузьким носиком 2. Корпус пирососа

Насадку з вузьким носиком можна зберігати в тримачі штуцера.

► **Рис.27:** 1. Тримач штуцера 2. Насадка з вузьким носиком

⚠ОБЕРЕЖНО: Будьте обережні, щоб не защемити пальці між насадкою з вузьким носиком і тримачем штуцера. Защемлення пальців може призвести до травм.

Насадка з вузьким носиком + подовжувач (пряма труба)

Цю конструкцію слід використовувати там, де пиросос не може пройти в обмеженому просторі, або у високих місцях, до яких важко дотягнутись.

► **Рис.28:** 1. Насадка з вузьким носиком 2. Подовжувач (пряма труба) 3. Корпус пирососа

Чищення без штуцера

Збирати пил можна й без штуцера.

► **Рис.29**

Для збирання пилу з підлоги в положенні стоячи до пирососа для зручності можна прикріпити подовжувач.

► **Рис.30:** 1. Подовжувач (пряма труба)

ТЕХНІЧНЕ ОБСЛУГОВУВАННЯ

⚠ОБЕРЕЖНО: Перед здійсненням перевірки або обслуговування завжди перевіряйте, щоб інструмент був вимкнений, а касета з акумулятором була знята.

Для забезпечення БЕЗПЕКИ й НАДІЙНОСТІ продукції її ремонт, а також роботи з обслуговування або регулювання мають виконуватись уповноваженими або заводськими сервісними центрами Makita з використанням запчастин виробництва компанії Makita.

Після використання

⚠ОБЕРЕЖНО: Якщо пиросос розмістити біля стіни без будь-якої іншої опори, він може впасти, пошкодитися чи спричинити травмування.

► **Рис.31**

Чистка

⚠ОБЕРЕЖНО: Якщо фільтри засмічені, почистьте їх. Подальше використання в засміченому стані може призвести до перегріву або займання.

УВАГА: Ніколи не використовуйте газолін, бензин, розріджувач, спирт та подібні речовини. Їх використання може призвести до зміни кольору, деформації або появи тріщин.

УВАГА: Не видаляйте пил з пирососа та фільтрів за допомогою повітродувки. При цьому пил потрапляє всередину корпусу і може спричинити несправності.

УВАГА: Після промивання фільтрів висушіть їх перед використанням. Вологий фільтр може стати причиною послаблення всмоктування та скорочення терміну служби двигуна.

УВАГА: Очистивши основний та губчатий фільтри, установіть їх на місце перед використанням. Під час експлуатації пирососа без основного й губчатого фільтрів пил потрапляє до корпусу двигуна й спричиняє несправності.

Корпус пирососа

Слід періодично протирати зовнішню поверхню (корпус) пирососа ганчіркою, зволоженою мильною водою. Не забудьте прочистити отвір усмоктування та ділянку встановлення фільтра.

► **Рис.32**

Фільтр підвищеної ефективності

Коли фільтр засмічується та потужність пирососа зменшується, фільтр слід вимити в мильній воді. Перед використанням його слід ретельно висушити.

► **Рис.33**

Фільтр HEPA

Додаткове приладдя

УВАГА: Не тріть і не дряпайте фільтр HEPA твердими предметами, наприклад щіткою або лопаткою.

Засмічення фільтра HEPA спричиняє зниження всмоктувальної дії. Фільтр слід періодично прочищувати.

Час від часу мийте фільтр HEPA у воді, полощіть і ретельно висушіть його в затінку перед використанням. Ніколи не періть фільтр у пральній машині.

► **Рис.34**

Губчатий фільтр

Нижче описано процедуру очищення губчатого фільтра.

1. Зніміть фільтри, що закривають каркас.
2. Витягніть губчатий фільтр із отвору між стійками.
3. Очистіть губчатий фільтр постукуванням або промиванням. У разі промивання ретельно висушіть фільтр перед використанням.
4. Установіть губчатий фільтр в отвір між стійками в початкове положення. Переконайтеся, що губчатий фільтр міцно притиснутий до нижнього краю стійок, а між фільтром та отвором усмоктування немає зазору.

► **Рис.35:** 1. Губчатий фільтр 2. Нижній край стійок

Настінне кріплення для бездротового пирососа

Додаткове приладдя

ПРИМІТКА: Гвинт для кріплення тримача до комплекту не входить. Виберіть гвинт відповідно до типу матеріалу.

Прикріпіть настінне кріплення для бездротового пирососа до стіни, балки або колони, зроблених із твердої деревини, де можна надійно закріпити бездротовий пиросос. Перед кріпленням пирососа завжди перевіряйте, щоб настінне кріплення для бездротового пирососа було надійно закріплено.

► **Рис.36:** 1. Настінне кріплення для бездротового пирососа

⚠ОБЕРЕЖНО: Вішайте пиросос на настінне кріплення обережно й не вішайте жодних інших пристроїв, окрім пирососа.

Усунення несправностей

Перш ніж здавати прилад до ремонту, слід перевірити наступні моменти.

Ознака	Ділянка, яку слід обстежити	Спосіб прикріплення
Слабка сила всмоктування	Чи заповнений контейнер пилом?	Витрусіть пил з контейнера.
	Чи засмічений фільтр?	Очистьте або промийте фільтр.
	Чи розряджена касета з акумулятором?	Зарядіть акумулятор.
Пристрій не працює	Чи розряджена касета з акумулятором?	Зарядіть акумулятор.
Шум і вібрація	Чи засмічений фільтр?	Очистьте або промийте фільтр.
	Штуцер, труба чи всмоктувальний отвір приладу засмічені?	Приберіть предмети, що призвели до засмічення, зі штуцера, труби чи всмоктувального отвору приладу.
	Впускний отвір штуцера чи труби заблоковані?	Не блокуйте впускний отвір штуцера чи труби.

⚠ОБЕРЕЖНО: Не намагайтеся відремонтувати пиросос самотужки.

ДОДАТКОВЕ ПРИЛАДДЯ

⚠ОБЕРЕЖНО: Це додаткове та допоміжне обладнання рекомендовано використовувати з інструментом Makita, зазначеним у цій інструкції з експлуатації. Використання будь-якого іншого додаткового та допоміжного обладнання може становити небезпеку травмування. Використовуйте додаткове та допоміжне обладнання лише за призначенням.

У разі необхідності отримати допомогу в більш детальному ознайомленні з оснащенням звертайтеся до місцевого сервісного центру Makita.

- Подовжувач (пряма труба)
- Штуцер
- Штуцер для килима
- Щітка для полиць
- Насадка з вузьким носиком
- Кругла щітка
- Гнучкий шланг
- Фільтр (з нетканої тканини)
- Первинний фільтр
- Фільтр підвищеної ефективності
- Фільтр HEPA
- Насадка для очищення сидіння
- Сопло для чищення щілин
- Настінне кріплення для бездротового пирососа
- Циклонний фільтр
- Циклонний фільтр
- Сумка для інструмента
- Оригінальний акумулятор та зарядний пристрій Makita

ПРИМІТКА: Деякі елементи списку можуть входити до комплекту інструмента як стандартне приладдя. Вони можуть відрізнятися залежно від країни.

Циклонний фільтр

Додаткове приладдя

- **Рис.37:** 1. Кнопка розблокування 2. Гачок
3. Подовжувач (пряма труба)
4. Циклонний фільтр 5. Отвір всмоктування

Про циклонний фільтр

Використання пирососа із циклонним фільтром зменшує кількість пилу, що потрапляє в контейнер, що запобігає зниженню сили всмоктування. Крім того, це значно спрощує очищення після використання.

⚠ОБЕРЕЖНО: Обов'язково переконайтеся в тому, що інструмент вимкнено, а касету з акумулятором знято, перш ніж проводити будь-які роботи з інструментом. Якщо касету з акумулятором залишити в пристрої, пиросос може несподівано запуститися й стати причиною травми.

⚠ОБЕРЕЖНО: Очищуйте сітчастий фільтр циклонного фільтра й фільтри пирососа, коли вони засмічуються. Подальше використання в засміченому стані може призвести до перегріву або утворення диму.

УВАГА: Не використовуйте пиросос з установленим циклонним фільтром у горизонтальному положенні або в положенні, коли його спрямовано вгору. Це може призвести до засмічення сітчастого фільтра.

УВАГА: Завжди використовуйте пиросос з установленим фільтром навіть за використання циклонного фільтра. Використання пирососа без установлених фільтрів може привести до несправності двигуна.

ПРИМІТКА: Перед використанням переконайтеся в тому, що циклонний фільтр, пиросос і подовжувач (пряму трубу) зафіксовано належним чином.

ПРИМІТКА: Спорожніть корпус для збору пилу циклонного фільтра й контейнер пирососа, коли вони заповнилися пилом. Подальше використання може призвести до зниження сили всмоктування.

ПРИМІТКА: Ви також можете використовувати циклонний фільтр без фіксації.

ПРИМІТКА: Порядок установлення або зняття циклонного фільтра див. в розділі «Установлення та зняття насадок пирососа».

Видалення пилу

Після заповнення пилом до рівня лінії заповнення в корпусі для збору пилу виконайте описану далі процедуру й утилізуйте пил.

1. Міцно втримуючи корпус для збору пилу, натисніть і утримуйте дві кнопки, після чого зніміть корпус для збору пилу.

► **Рис.38:** 1. Лінія заповнення 2. Корпус для збору пилу 3. Кнопка (два положення) 4. Сітчастий фільтр

2. Видаліть пил із корпусу для збору пилу й видаліть пил і дрібний пил із поверхні сітчастого фільтра.

3. Вставте корпус для збору пилу таким чином, щоб дві кнопки зафіксувалися з клацанням.

► **Рис.39:** 1. Корпус для збору пилу 2. Кнопка (два положення)

⚠ОБЕРЕЖНО: Під час збирання корпусу для збору пилу будьте обережні та не прищеміть пальці.

ПРИМІТКА: Перед повторним запуском переконайтеся в тому, що циклонний фільтр, пиросос і подовжувач (пряму трубу) зафіксовано належним чином.

ПРИМІТКА: Якщо сила всмоктування не відновиться навіть після видалення пилу й очищення сітчастого фільтра, переконайтеся в тому, що пил не накопився в контейнері пирососа, або у відсутності засмічення.

ПРИМІТКА: Пил може піднятися в повітря під час видалення з циклонного фільтра. Будьте обережні, щоб пил не потрапив вам в очі.

Чищення

⚠ОБЕРЕЖНО: Після промивання циклонного фільтра ретельно висушіть його перед використанням. Недостатньо просушені компоненти можуть призвести до ураження електричним струмом або пошкодження приладу.

Коли забрудниться корпус для збору пилу чи засмітиться сітчастий фільтр, витягніть і промийте їх водою. (Процедуру видалення див. у розділі «Утилізація пилу».)

Ретельно просушіть деталі перед повторним установленням і використанням.

► **Рис.40:** 1. Корпус для збору пилу 2. Сітчастий фільтр

Якщо сітчастий фільтр сильно забруднений, очистьте його, виконавши вказані далі процедури.

1. Поверніть сітчастий фільтр у напрямку стрілки та вийміть його, коли гачки опиняться в незафіксованому положенні.

► **Рис.41:** 1. Сітчастий фільтр 2. Гачок

2. Видаліть пил із сітчастого фільтра й промийте його водою. Після цього ретельно просушіть його.

3. Вставте сітчастий фільтр в основу таким чином, щоб гачки розташувалися на одній лінії з отвором. Повертайте сітчастий фільтр у напрямку стрілки до фіксації гачків, що супроводжується клацанням. Переконайтеся в тому, що сітчастий фільтр надійно зафіксовано.

► **Рис.42:** 1. Сітчастий фільтр 2. Гачок 3. Отвір

ОСТОРОЖНО

- Дети старше 8 лет, лица с ограниченными физическими, сенсорными или умственными способностями и лица, не имеющие надлежащего опыта и знаний, могут использовать это устройство только при условии, что они осознают возможные опасности и действуют под надзором или после инструктажа по безопасному использованию устройства.
- Не разрешайте детям играть с устройством. Детям запрещается проводить чистку и техобслуживание без контроля со стороны взрослых.
- Тип аккумулятора указан в главе "ТЕХНИЧЕСКИЕ ХАРАКТЕРИСТИКИ".
- Инструкции по установке и извлечению аккумулятора приведены в разделе "Установка или снятие блока аккумулятора".
- Для утилизации блока аккумулятора извлеките его из инструмента и утилизируйте безопасным способом. Выполняйте требования местного законодательства по утилизации аккумулятора.
- Если инструментом не будут пользоваться в течение длительного периода времени, извлеките аккумулятор из инструмента.
- Не замыкайте контакты блока аккумулятора между собой.
- Сведения о мерах предосторожности при техническом обслуживании изделия пользователем приведены в главе "ТЕХНИЧЕСКОЕ ОБСЛУЖИВАНИЕ".

ТЕХНИЧЕСКИЕ ХАРАКТЕРИСТИКИ

Модель:	DCL283F
Производительность	730 мл
Продолжительное использование (с аккумулятором BL1830B)	Приблизительно 10 мин
Общая длина (с трубкой, насадкой и аккумулятором BL1830B)	1 066 мм
Номинальное напряжение	18 В пост. тока
Масса нетто	1,3 - 1,7 кг

- Благодаря нашей постоянно действующей программе исследований и разработок указанные здесь технические характеристики могут быть изменены без предварительного уведомления.
- Технические характеристики могут различаться в зависимости от страны.
- В значение массы не входит масса принадлежностей, только масса блок(ов) аккумулятора. Наименьшая и наибольшая совокупная масса инструмента и блока(ов) аккумулятора указана в таблице.

Подходящий блок аккумулятора и зарядное устройство

Блок аккумулятора	BL1815N / BL1820B / BL1830B / BL1840B / BL1850B / BL1860B
Зарядное устройство	DC18RC / DC18RD / DC18RE / DC18SD / DC18SE / DC18SF / DC18SH / DC18WC

- В зависимости от региона проживания некоторые блоки аккумуляторов и зарядные устройства, перечисленные выше, могут быть недоступны.

⚠ ОСТОРОЖНО: Используйте только перечисленные выше блоки аккумуляторов и зарядные устройства. Использование других блоков аккумуляторов и зарядных устройств может привести к травме и/или пожару.

Символы

Ниже приведены символы, которые могут использоваться для обозначения оборудования. Перед использованием убедитесь в том, что вы понимаете их значение.



Прочитайте руководство по эксплуатации.



Для данного продукта подходит типовой аккумулятор.



Только для стран ЕС
В связи с наличием в оборудовании опасных компонентов отходы электрического и электронного оборудования, аккумуляторы и батареи могут оказывать негативное влияние на окружающую среду и здоровье человека. Не выбрасывайте электрические и электронные устройства или батареи вместе с бытовыми отходами!
В соответствии с директивой ЕС по отходам электрического и электронного оборудования, батареям и отходам аккумуляторов и батарей, а также в соответствии с ее адаптацией к национальному законодательству, отходы электрического оборудования, батареи и аккумуляторы следует хранить отдельно и доставлять на пункт раздельного сбора коммунальных отходов, работающий с соблюдением правил охраны окружающей среды. Это обозначено символом в виде перечеркнутого мусорного контейнера на колесах, нанесенным на оборудование.

Назначение

Данный инструмент предназначен для сбора сухой пыли.

МЕРЫ БЕЗОПАСНОСТИ

Правила техники безопасности при эксплуатации аккумулятора пылесоса

⚠ ОСТОРОЖНО: ВАЖНО! ВНИМАТЕЛЬНО ОЗНАКОМЬТЕСЬ со всеми инструкциями и рекомендациями по технике безопасности ДО НАЧАЛА РАБОТЫ. Невыполнение инструкций и рекомендаций может привести к поражению электрическим током, пожару и/или тяжелым травмам.

1. **Берегите от дождя. Храните в помещении.**
2. **Не позволяйте использовать в качестве игрушки. Если инструмент используется рядом с детьми, соблюдайте особую осторожность.**
3. **Используйте только так, как описано в настоящем руководстве. Используйте только принадлежности, рекомендованные производителем.**

4. **Не используйте с поврежденным аккумулятором. Если инструмент не работает должным образом, был уронен, поврежден, забыт на улице или попал в воду, отнесите его в сервисный центр.**
5. **Не берите инструмент мокрыми руками.**
6. **Не помещайте какие-либо предметы в отверстия. Не используйте, если какое-либо отверстие заблокировано. Предотвращайте попадание пыли, пуха, волос и других материалов, способных уменьшить поток воздуха.**
7. **Держите волосы, свободную одежду, пальцы и другие части тела подальше от отверстий и движущихся деталей.**
8. **Перед снятием аккумулятора выключите все регуляторы.**
9. **Проявляйте особую осторожность при очистке на лестницах.**
10. **Не используйте для сбора огнеопасных или воспламеняющихся жидкостей, например бензина, и не используйте там, где они могут присутствовать.**
11. **Для зарядки используйте только зарядное устройство, поставляемое производителем.**
12. **Не собирайте ничего, что горит или дымится, например, окурки, спички или горячий пепел.**
13. **Не используйте без установленных фильтров и/или пылесборного мешка.**
14. **Не заряжайте аккумулятор на улице.**
15. **Заряжайте аккумулятор только зарядным устройством, указанным изготовителем. Зарядное устройство, подходящее для одного типа аккумуляторных блоков, может привести к пожару при его использовании с другим аккумуляторным блоком.**
16. **Используйте устройства только с указанными для них аккумуляторными блоками. Использование других аккумуляторных блоков может привести к травме или пожару.**
17. **Когда аккумуляторный блок не используется, храните его отдельно от металлических предметов, таких как скрепки, монеты, ключи, гвозди, шурупы или другие небольшие металлические предметы, которые могут привести к короткому замыканию контактов аккумуляторного блока.**
18. **При неправильном обращении из аккумуляторного блока может потечь жидкость. Избегайте контакта с ней. В случае контакта с кожей промойте место контакта обильным количеством воды.**
19. **Не используйте поврежденный или модифицированный аккумуляторный блок или устройство. Поврежденные или модифицированные аккумуляторы могут работать некорректно, что может привести к пожару, взрыву или травмированию.**
20. **Не подвергайте аккумуляторный блок или устройство воздействию огня или высокой температуры. Воздействие огня или температуры выше 130 °C может привести к взрыву.**

21. Следуйте всем инструкциям по зарядке и не заряжайте аккумуляторный блок или устройство при температурах, выходящих за пределы указанного в инструкции диапазона. Зарядка, выполняемая неправильно или при температурах, выходящих за пределы указанного диапазона, может привести к повреждению аккумулятора и повысить риск пожара.

СОХРАНИТЕ ДАННЫЕ ИНСТРУКЦИИ.

ДОПОЛНИТЕЛЬНЫЕ ПРАВИЛА ТЕХНИКИ БЕЗОПАСНОСТИ

Этот инструмент предназначен для домашнего использования.

1. Перед использованием внимательно прочитайте это руководство по эксплуатации и руководство по эксплуатации зарядного устройства.
2. Запрещается собирать следующие материалы:
 - Раскаленные вещества, которые горят или дымят (сигареты, спички, ароматические палочки, свечи, горячая зола), искры и металлическая пыль, образуемые при резке или шлифовке металла, и пр.
 - Легковоспламеняющаяся жидкость (керосин, бензин, растворители, в частности бензол, разбавитель и пр.)
 - Легковоспламеняющийся материал (тонер, краска, аэрозоль и пр.)
 - Взрывоопасные или самовоспламеняющиеся вещества (нитроглицерин, алюминий, магний, титан, цинк, красный фосфор, желтый фосфор, целлулоид и пр., а также их пыль, газ или пар)
 - Жидкость, масло, влажная грязь или мокрые отходы, включая рвотные массы и продукты жизнедеятельности
 - Твердые предметы с острыми краями (например, древесная стружка, металлы, камни, стекла, гвозди, штифты, бритвы или столовые приборы)
 - Отверждающий и проводящий тонкодисперсный порошок (металлический или угольный порошок)
 - Пеноматериал типа средства для чистки ковров и пр. (они могут вызывать взрывы и возгорание)
 - Большое количество порошкового материала (мука, порошковый огнетушитель и пр.)
 - Вещества, вызывающие симптомы интоксикации
 - Агрессивные химические вещества (кислота, щелочь и пр.)
 - Тонкодисперсный связующий порошок, в частности цемент
 - Тонкодисперсные частицы типа бетонной пыли
 - Влагопоглотители
 - Асбест
 - Пестициды

Такие действия могут приводить к возгоранию, травмам и/или имущественному ущербу. Для снижения своей подверженности воздействию этих химических материалов обязательно надевайте одобренные средства защиты органов дыхания, в частности респираторы, специально предназначенные для фильтрации микроскопических частиц. Направляйте отработанный воздух от своего лица и туловища.

3. Немедленно прекратите работу, если вы заметили какие-либо отклонения.
4. Тщательно проверьте пылесос перед началом эксплуатации на предмет наличия трещин и повреждений, если вы уронили или ударили его.
5. Не подносите близко к печам и источникам тепла.
6. Не блокируйте входные и вентиляционные отверстия.

СОХРАНИТЕ ДАННЫЕ ИНСТРУКЦИИ.

Важные правила техники безопасности для работы с аккумуляторным блоком

1. Перед использованием аккумуляторного блока прочитайте все инструкции и предупреждающие надписи на (1) зарядном устройстве, (2) аккумуляторном блоке и (3) инструменте, работающем от аккумуляторного блока.
2. Не разбирайте блок аккумулятора и не меняйте его конструкцию. Это может привести к пожару, перегреву или взрыву.
3. Если время работы аккумулятора значительно сократилось, немедленно прекратите работу. В противном случае, может возникнуть перегрев блока, что приведет к ожогам и даже к взрыву.
4. В случае попадания электролита в глаза промойте их обильным количеством чистой воды и немедленно обратитесь к врачу. Это может привести к потере зрения.
5. Не замыкайте контакты аккумуляторного блока между собой:
 - (1) Не прикасайтесь к контактам какими-либо токопроводящими предметами.
 - (2) Не храните аккумуляторный блок в контейнере вместе с другими металлическими предметами, такими как гвозди, монеты и т. п.
 - (3) Не допускайте попадания на аккумуляторный блок воды или дождя.Замыкание контактов аккумуляторного блока между собой может привести к возникновению большого тока, перегреву, возможным ожогам и даже поломке блока.
6. Не храните и не используйте инструмент и аккумуляторный блок в местах, где температура может достигать или превышать 50 °C (122 °F).

7. Не бросайте аккумуляторный блок в огонь, даже если он сильно поврежден или полностью вышел из строя. Аккумуляторный блок может взорваться под действием огня.
8. Запрещено вбивать гвозди в блок аккумулятора, резать, ломать, бросать, ронять блок аккумулятора или ударять его твердым предметом. Это может привести к пожару, перегреву или взрыву.
9. Не используйте поврежденный аккумуляторный блок.
10. Входящие в комплект литий-ионные аккумуляторы должны эксплуатироваться в соответствии с требованиями законодательства об опасных товарах.
При коммерческой транспортировке, например, третьей стороной или экспедитором, необходимо нанести на упаковку специальные предупреждения и маркировку.
В процессе подготовки устройства к отправке обязательно проконсультируйтесь со специалистом по опасным материалам. Также соблюдайте местные требования и нормы. Они могут быть строже.
Закрепите или закрепите разомкнутые контакты и упакуйте аккумулятор так, чтобы он не перемещался по упаковке.
11. Для утилизации блока аккумулятора извлеките его из инструмента и утилизируйте безопасным способом. Выполняйте требования местного законодательства по утилизации аккумуляторного блока.
12. Используйте аккумуляторы только с продукцией, указанной Makita. Установка аккумуляторов на продукцию, не соответствующую требованиям, может привести к пожару, перегреву, взрыву или утечке электролита.
13. Если инструментом не будут пользоваться в течение длительного периода времени, извлеките аккумулятор из инструмента.
14. Во время и после использования блок аккумулятора может нагреваться, что может стать причиной ожогов или низкотемпературных ожогов. Будьте осторожны при обращении с горячим блоком аккумулятора.
15. Не прикасайтесь к контактам инструмента сразу после использования, поскольку они могут быть достаточно горячими, чтобы вызвать ожоги.
16. Не допускайте налипания на контакты, отверстия и пазы блока аккумулятора опилок, пыли или земли. Это может стать причиной перегрева, возгорания, взрыва или неисправности инструмента или блока аккумулятора, что может привести к ожогам или травмам.
17. Если инструмент не рассчитан на использование вблизи высоковольтных линий электропередач, не используйте блок аккумулятора вблизи высоковольтных линий электропередач. Это может привести к неисправности, поломке инструмента или блока аккумулятора.
18. Храните аккумулятор в недоступном для детей месте.

СОХРАНИТЕ ДАННЫЕ ИНСТРУКЦИИ.

▲ВНИМАНИЕ: Используйте только фирменные аккумуляторные батареи Makita. Использование аккумуляторных батарей, не произведенных Makita, или батарей, которые были подвергнуты модификациям, может привести к взрыву аккумулятора, пожару, травмам и повреждению имущества. Это также автоматически аннулирует гарантию Makita на инструмент и зарядное устройство Makita.

Советы по обеспечению максимального срока службы аккумулятора

1. Заряжайте блок аккумуляторов перед его полной разрядкой. Обязательно прекратите работу с инструментом и зарядите блок аккумуляторов, если вы заметили снижение мощности инструмента.
2. Никогда не подзаряжайте полностью заряженный блок аккумуляторов. Перезарядка сокращает срок службы аккумулятора.
3. Заряжайте блок аккумуляторов при комнатной температуре в 10 - 40 °C (50 - 104 °F). Перед зарядкой горячего блока аккумуляторов дайте ему остыть.
4. Если блок аккумулятора не используется, извлеките его из инструмента или зарядного устройства.
5. Зарядите ионно-литиевый аккумуляторный блок, если вы не будете пользоваться инструментом длительное время (более шести месяцев).

ОПИСАНИЕ РАБОТЫ

▲ВНИМАНИЕ: Перед регулировкой или проверкой функций инструмента обязательно убедитесь, что он выключен и его аккумуляторный блок снят.

▲ВНИМАНИЕ: Соблюдайте осторожность, чтобы при установке аккумулятора не защемить пальцы между пылесосом и аккумулятором, как показано на рисунке. Защемление пальцев может привести к травме.

► Рис.1

Установка или снятие блока аккумуляторов

▲ВНИМАНИЕ: Обязательно выключайте инструмент перед установкой и извлечением аккумуляторного блока.

▲ВНИМАНИЕ: При установке и извлечении аккумуляторного блока крепко удерживайте инструмент и аккумуляторный блок. Если не соблюдать это требование, они могут выскользнуть из рук, что приведет к повреждению инструмента, аккумуляторного блока и травмированию оператора.

Для снятия аккумуляторного блока нажмите кнопку на лицевой стороне и извлеките блок.

► **Рис.2:** 1. Красный индикатор 2. Кнопка 3. Блок аккумулятора

Для установки блока аккумулятора совместите выступ блока аккумулятора с пазом в корпусе и задвиньте его на место. Устанавливайте блок до упора, чтобы он зафиксировался с небольшим щелчком. Если вы видите красный индикатор, как показано на рисунке, он не зафиксирован полностью.

⚠ ВНИМАНИЕ: Обязательно устанавливайте блок аккумулятора до конца, чтобы красный индикатор не был виден. В противном случае блок аккумулятора может выпасть из инструмента и нанести травму вам или другим людям.

⚠ ВНИМАНИЕ: Не прилагайте чрезмерных усилий при установке аккумуляторного блока. Если блок не движется свободно, значит он вставлен неправильно.

Система защиты инструмента/аккумулятора

На инструменте предусмотрена система защиты инструмента/аккумулятора. Она автоматически отключает питание двигателя для продления срока службы инструмента и аккумулятора. Инструмент автоматически остановится во время работы при возникновении указанных ниже ситуаций, влияющих на работу самого инструмента или аккумулятора.

Перегрузка:

В текущем режиме эксплуатации инструмент/аккумулятор потребляет очень большое количество тока. В этом случае выключите инструмент и прекратите работу, повлекшую перегрузку инструмента. Затем включите инструмент для перезапуска.

Перегрев:

Инструмент/аккумулятор перегрет. В этом случае дайте инструменту/аккумулятору остыть перед повторным включением инструмента.

Низкое напряжение аккумуляторной батареи:

Уровень оставшегося заряда аккумулятора слишком низкий, и инструмент не работает. В этом случае снимите и зарядите аккумулятор.

Защита от других неполадок:

Система защиты также рассчитана на другие неполадки, способные вывести инструмент из строя, и обеспечивает автоматический останов инструмента. В случае временной остановки или прекращения работы инструмента выполните все перечисленные ниже действия для устранения причин остановки.

1. Выключите и снова включите инструмент для его перезапуска.
2. Зарядите аккумулятор(-ы) или замените его/их на заряженный(-е).
3. Дайте инструменту и аккумулятору(-ам) остыть.

Если после восстановления системы защиты ситуация не изменится, обратитесь в сервисный центр Makita.

Индикация оставшегося заряда аккумулятора

Только для блоков аккумулятора с индикатором

► **Рис.3:** 1. Индикаторы 2. Кнопка проверки

Нажмите кнопку проверки на аккумуляторном блоке для проверки заряда. Индикаторы загорятся на несколько секунд.

Индикаторы			Уровень заряда
Горит	Выкл.	Мигает	
■ ■ ■ ■			от 75 до 100%
■ ■ ■ □			от 50 до 75%
■ ■ □ □			от 25 до 50%
■ □ □ □			от 0 до 25%
▣ □ □ □			Зарядите аккумуляторную батарею.
■ ■ □ □			Возможно, аккумуляторная батарея неисправна.
□ □ ■ ■			

ПРИМЕЧАНИЕ: В зависимости от условий эксплуатации и температуры окружающего воздуха индикация может незначительно отличаться от фактического значения.

ПРИМЕЧАНИЕ: Первая (дальняя левая) индикаторная лампа будет мигать во время работы защитной системы аккумулятора.

Действие выключателя

⚠ ВНИМАНИЕ: Перед установкой блока аккумулятора в инструмент переведите ползунковый переключатель в положение "0" и убедитесь в том, что триггерный переключатель работает правильно и возвращается в положение "OFF" (ВЫКЛ.) при отпуске.

Когда ползунковый переключатель передвинут в положение "0".

Для запуска инструмента просто нажмите на триггерный переключатель. Отпустите триггерный переключатель для остановки.

► **Рис.4:** 1. Ползунковый переключатель
2. Триггерный переключатель

Когда ползунковый переключатель передвинут в положение "I".

Когда ползунковый переключатель передвинут в положение "I", триггерный переключатель срабатывает автоматически и пылесос продолжает работать. Для остановки пылесоса установите ползунковый переключатель в положение "0" и отпустите триггерный переключатель.

► **Рис.5:** 1. Ползунковый переключатель
2. Триггерный переключатель

Включение лампы

⚠ ВНИМАНИЕ: Не смотрите непосредственно на свет или источник света.

Для включения лампы либо нажмите триггерный переключатель, либо установите ползунковый переключатель в положение "I".

Пока пылесос работает, индикатор горит.

Лампа гаснет непосредственно после завершения работы.

ПРИМЕЧАНИЕ: При низком заряде аккумулятора индикатор начинает мигать. Время, по истечении которого индикатор начинает мигать, зависит от температуры на рабочем месте и состояния блока аккумулятора.

- **Рис.6:** 1. Лампа 2. Ползунковый переключатель
3. Триггерный переключатель

СБОРКА

⚠ ВНИМАНИЕ: Перед проведением каких-либо работ с инструментом обязательно убедитесь, что инструмент отключен, а блок аккумулятора снят.

Описание деталей

Дополнительные принадлежности

Высокоэффективный фильтр, каркас и губчатый фильтр

- **Рис.7:** 1. Контейнер 2. Высокоэффективный фильтр 3. Каркас 4. Губчатый фильтр

Фильтр предварительной очистки или высокоэффективный фильтр и фильтр HEPA

- **Рис.8:** 1. Контейнер 2. Фильтр предварительной очистки 3. Высокоэффективный фильтр 4. Фильтр HEPA

ПРИМЕЧАНИЕ: Не подставляйте высокоэффективный фильтр с опциональным фильтром (нетканой материей). Такие фильтры не могут быть извлечены из пылесоса.

ПРИМЕЧАНИЕ: Не устанавливайте опциональный фильтр (нетканую матерью) между фильтром HEPA и фильтром предварительной очистки. Возможно снижение мощности всасывания.

ПРИМЕЧАНИЕ: Обязательно используйте высокоэффективный фильтр, обрамленный каркасом оригинальной конструкции, при его установке поверх фильтра HEPA.

- **Рис.9:** 1. Высокоэффективный фильтр 2. Каркас (предназначенный для высокоэффективного фильтра)

Удаление пыли

⚠ ВНИМАНИЕ: Опорожните пылесос до того, как он заполнится, или сила всасывания уменьшится.

⚠ ВНИМАНИЕ: Обязательно удалите пыль с внутренних поверхностей пылесоса. Невыполнение этого условия может привести загрязнению фильтра или к повреждению мотора.

Чтобы стряхнуть налипшую на фильтр в области контейнера пыль, постучите рукой по контейнеру 4–5 раз.

- **Рис.10:** 1. Контейнер

Направьте впускное отверстие всасывания вниз, поверните контейнер по стрелке и отсоедините его, осторожно потянув от себя.

- **Рис.11:** 1. Контейнер 2. Впускное отверстие всасывания

ПРИМЕЧАНИЕ: При открытии контейнера пыль может высыпаться, поэтому не забудьте подставить под контейнер мусорное ведро.

Удалите скопившуюся пыль из контейнера и из высокоэффективного фильтра.

- **Рис.12:** 1. Контейнер 2. Высокоэффективный фильтр

Поверните высокоэффективный фильтр по стрелке, чтобы вывести из зацепления фиксирующий буртик, и снимите фильтр.

- **Рис.13:** 1. Фиксирующий буртик

ПРИМЕЧАНИЕ: При использовании фильтра предварительной очистки также соблюдайте приведенную выше процедуру.

Удалите мелкую пыль и слегка постучите, чтобы удалить пыль из высокоэффективного фильтра.

Сборка

Установите высокоэффективный фильтр. Для этого поверните высокоэффективный фильтр так, чтобы фиксирующий буртик плотно вошел в зацепление с пылесосом.

- **Рис.14:** 1. Высокоэффективный фильтр

- **Рис.15:** 1. Фиксирующий буртик

ПРИМЕЧАНИЕ: Перед использованием пылесоса обязательно проверьте правильность установки высокоэффективного фильтра. В случае его неправильной установки пыль проникнет внутрь корпуса двигателя и вызовет его поломку.

Возникновение описанной далее проблемы означает, что высокоэффективный фильтр установлен неправильно. Для устранения проблемы установите его правильно.

Прикрепите контейнер. Совместите значок на контейнере со значком на рукоятке, затем с усилием поверните контейнер по стрелке до фиксации.

- **Рис.16:** 1. Метка 2. Рукоятка 3. Контейнер

ПРИМЕЧАНИЕ: Обязательно заблаговременно удаляйте пыль, так как сила всасывания снижается, если в пылесосе скопилось много пыли.

Примеры проблем

Фиксирующий буртик высокоэффективного фильтра недостаточно прочно закреплен в пазу корпуса пылесоса.

- **Рис.17:** 1. Фиксирующий буртик 2. Паз в корпусе пылесоса

Установка и демонтаж каркаса / фильтра HEPA

Дополнительные принадлежности

Действия для каркаса и губчатого фильтра

Для удаления каркаса поднимите нижнюю часть стоек каркаса пальцами и разъедините паз и выступ на пылесосе. Затем удалите губчатый фильтр.

- **Рис.18:** 1. Каркас 2. Губчатый фильтр

Для установки совместите пазы на каркасе с выступом на пылесосе и прижмите до щелчка.

Вставьте губчатый фильтр между стойками в его исходное положение.

Действия для фильтра HEPA

При установке фильтра HEPA совместите паз фильтра HEPA с выступом на пылесосе. Затем разместите фильтр предварительной очистки или высокоэффективный фильтр на фильтре HEPA и поверните для фиксации. Для демонтажа выполните процедуру установки в обратном порядке.

- **Рис.19:** 1. Фильтр HEPA 2. Фильтр предварительной очистки

- **Рис.20:** 1. Фильтр HEPA 2. Высокоэффективный фильтр

ЭКСПЛУАТАЦИЯ

⚠ВНИМАНИЕ: Во время работы с пылесосом не приближайте лицо слишком близко к вентиляционному отверстию. Попадание в глаза посторонних предметов может привести к травме.

Установка и снятие насадок пылесоса

⚠ВНИМАНИЕ: После установки насадок убедитесь в надежности их установки. При неправильной установке насадок они могут соскочить и нанести травму.

⚠ВНИМАНИЕ: При снятии насадок будьте осторожны, чтобы не удариться рукой о стену и т. д.

При использовании насадки с фиксацией

Для установки насадки вставьте ее во впускное отверстие пылесоса до щелчка. Убедитесь в том, что насадка зафиксирована.

- **Рис.21:** 1. Впускное отверстие 2. Насадка с фиксацией 3. Крючок 4. Кнопка разблокировки

ПРИМЕЧАНИЕ: При установке насадки с фиксацией убедитесь в том, что кнопка разблокировки пылесоса совмещена с крючком насадке. Если они не совмещены, то насадка не будет зафиксирована и может соскочить с пылесоса.

Для удаления потяните за насадку, нажав кнопку разблокировки.

- **Рис.22:** 1. Кнопка разблокировки 2. Насадка с фиксацией

При использовании насадки без фиксации

⚠ВНИМАНИЕ: Для подсоединения насадки без фиксации поверните и вставьте ее в указанном стрелкой направлении, чтобы зафиксировать соединение. Чтобы отсоединить насадку, поверните и извлеките ее также в направлении, указанном стрелкой. Если насадку повернуть в обратном направлении, контейнер может отсоединиться.

- **Рис.23**

Чистка (всасывание)

Насадка

Прикрепите насадку для чистки столов, письменных столов, мебели и т. д. Насадка легко скользит.

- **Рис.24:** 1. Насадка

Насадка + удлиняющая труба (прямая труба)

Удлиняющая труба вставляется между насадкой и самим пылесосом. С помощью такого приспособления удобно чистить полы стоя.

- **Рис.25:** 1. Корпус пылесоса 2. Удлиняющая труба (прямая труба) 3. Насадка

Щелевая насадка

Прикрепите щелевую насадку для чистки углов и щелей автомобилем или мебели.

- **Рис.26:** 1. Щелевая насадка 2. Корпус пылесоса

Щелевую насадку можно хранить в держателе насадки.

- **Рис.27:** 1. Держатель насадки 2. Щелевая насадка

⚠ВНИМАНИЕ: Будьте осторожны, чтобы не защемить палец (пальцы) между щелевой насадкой и держателем насадки. Защемление пальца(цев) может привести к травме.

Щелевая насадка + удлиняющая труба (прямая труба)

Используйте это приспособление в тесных углах, где невозможно поместить сам пылесос, или в труднодоступных высоких местах.

► **Рис.28:** 1. Щелевая насадка 2. Удлиняющая труба (прямая труба) 3. Корпус пылесоса

Чистка без насадки

Мелкие частицы и пыль можно собирать без насадки.

► **Рис.29**

Для сбора пыли с пола в положении стоя к пылесосу для удобства можно прикрепить удлиняющую трубу.

► **Рис.30:** 1. Удлиняющая труба (прямая труба)

ОБСЛУЖИВАНИЕ

⚠ВНИМАНИЕ: Перед проведением проверки или работ по техобслуживанию всегда проверяйте, что инструмент выключен, а блок аккумуляторов снят.

Для обеспечения БЕЗОПАСНОСТИ и НАДЕЖНОСТИ оборудования ремонт, любое другое техобслуживание или регулировку необходимо производить в уполномоченных сервис-центрах Makita или сервис-центрах предприятия с использованием только сменных частей производства Makita.

После использования

⚠ВНИМАНИЕ: Если прислонить пылесос к стене без дополнительных опор, это может привести к его падению, повредить его или стать причиной травмы.

► **Рис.31**

Очистка

⚠ВНИМАНИЕ: Очищайте фильтры при их засорении. Дальнейшее использование в засоренном состоянии может привести к перегреву или возгоранию.

ПРИМЕЧАНИЕ: Запрещается использовать бензин, растворители, спирт и другие подобные жидкости. Это может привести к обесцвечиванию, деформации и трещинам.

ПРИМЕЧАНИЕ: Не удаляйте пыль с пылесоса и фильтров с помощью пылеуловителя. При этом пыль попадает внутрь корпуса, что становится причиной неполадок.

ПРИМЕЧАНИЕ: После промывки фильтров высушите их перед использованием. Использование влажного фильтра может привести к плохому всасыванию и уменьшить срок службы двигателя.

ПРИМЕЧАНИЕ: Очистив основной и губчатый фильтры, установите их на место перед использованием. При эксплуатации пылесоса без основного и губчатого фильтров пыль попадает в корпус двигателя и вызывает неполадки.

Корпус пылесоса

Время от времени протирайте внешнюю часть (корпус) пылесоса с помощью тряпки, смоченной мыльной водой.

Также прочистите всасывающее отверстие и область установки фильтра.

► **Рис.32**

Высокоэффективный фильтр

Когда в фильтре скопится пыль и мощность пылесоса уменьшится, промойте фильтр в мыльной воде. Тщательно высушите его перед использованием.

► **Рис.33**

Фильтр HEPA

Дополнительные принадлежности

ПРИМЕЧАНИЕ: Не трите и не скребите фильтр HEPA твердыми предметами, например щеткой или скребком.

Засоренный фильтр HEPA снижает эффективность всасывания. Периодически очищайте фильтр.

Периодически промывайте фильтр HEPA водой, прополаскивая и тщательно просушивая перед использованием. Запрещено мыть фильтр в стиральной машине.

► **Рис.34**

Губчатый фильтр

Ниже описана процедура очистки губчатого фильтра.

1. Извлеките фильтры, покрывающие каркас.
 2. Вытяните губчатый фильтр из проема между стойками.
 3. Очистите губчатый фильтр, постукав по нему или промыв. В случае промывки тщательно высушите фильтр перед использованием.
 4. Вставьте фильтр в проем между стойками в его исходное положение. Убедитесь, что губчатый фильтр плотно прижат к нижнему краю стоек и между ним и всасывающим отверстием нет зазора.
- **Рис.35:** 1. Губчатый фильтр 2. Нижний край стоек

Настенное крепление для аккумуляторного пылесоса

Дополнительные принадлежности

ПРИМЕЧАНИЕ: Винт для крепления держателя в комплект не входит. Выберите винт в соответствии с типом материала.

Прикрепите настенное крепление для аккумуляторного пылесоса к стене, балке или колонне, сделанным из твердой древесины, где можно надежно закрепить аккумуляторный пылесос. Перед креплением пылесоса всегда проверяйте, чтобы настенное крепление для аккумуляторного пылесоса было надежно закреплено.

► **Рис.36:** 1. Настенное крепление для аккумуляторного пылесоса

ВНИМАНИЕ: Вешайте пылесос на настенное крепление осторожно и не вешайте никакие другие устройства, кроме пылесоса.

Устранение неполадок

Перед ремонтом проверьте следующее.

Признак	Что проверить	Способ крепления
Недостаточная сила всасывания	Контейнер заполнен пылью?	Опорожните контейнер.
	Фильтр засорен?	Очистите или вымойте фильтр.
	Блок аккумулятора разряжен?	Зарядите блок аккумулятора.
Не работает	Блок аккумулятора разряжен?	Зарядите блок аккумулятора.
Шум и вибрация	Фильтр засорен?	Очистите или вымойте фильтр.
	Насадка, труба или впускное отверстие всасывания прибора засорены?	Извлеките предметы, которые привели к засорению, из насадки, трубы или впускного отверстия всасывания прибора.
	Впускное отверстие насадки или трубы заблокировано?	Не блокируйте впускное отверстие насадки или трубы.

ВНИМАНИЕ: Не пытайтесь ремонтировать пылесос самостоятельно.

ДОПОЛНИТЕЛЬНЫЕ ПРИНАДЛЕЖНОСТИ

ВНИМАНИЕ: Данные принадлежности или приспособления рекомендуются для использования с инструментом Makita, указанным в настоящем руководстве. Использование других принадлежностей или приспособлений может привести к получению травмы. Используйте принадлежность или приспособление только по указанному назначению.

Если вам необходимо содействие в получении дополнительной информации по этим принадлежностям, свяжитесь с вашим сервис-центром Makita.

- Удлиняющая труба (прямая труба)
- Насадка
- Насадка для чистки ковра
- Щетка для чистки полов
- Щелевая насадка

- Круглая щетка
- Гибкий шланг
- Фильтр (нетканая материя)
- Фильтр предварительной очистки
- Высокоэффективный фильтр
- Фильтр HEPA
- Насадка для очистки сиденья
- Сопло для чистки щелей
- Настенное крепление для аккумуляторного пылесоса
- Циклонный блок
- Циклонный фильтр
- Сумка для инструмента
- Оригинальный аккумулятор и зарядное устройство Makita

ПРИМЕЧАНИЕ: Некоторые элементы списка могут входить в комплект инструмента в качестве стандартных приспособлений. Они могут отличаться в зависимости от страны.

Циклонный фильтр

Дополнительные принадлежности

- **Рис.37:** 1. Кнопка разблокировки 2. Крючок
3. Удлиняющая труба (прямая труба)
4. Циклонный фильтр 5. Впускное отверстие

Информация о циклонном фильтре

Использование пылесоса с циклонным фильтром уменьшает попадающее в контейнер количество пыли, предотвращая снижение силы всасывания. Кроме того, это значительно упрощает очистку после использования.

ВНИМАНИЕ: Перед проведением каких-либо работ с инструментом обязательно отключите инструмент и извлеките блок аккумулятора. Если блок аккумулятора оставить в устройстве, пылесос может неожиданно запуститься и стать причиной травмы.

ВНИМАНИЕ: Очищайте сетчатый фильтр циклонного фильтра и фильтры пылесоса при их засорении. Дальнейшее использование в засоренном состоянии может привести к перегреву или возгоранию.

ПРИМЕЧАНИЕ: Не используйте пылесос с установленным циклонным фильтром в горизонтальном положении или в положении, когда пылесос направлен вверх. Это может привести к засорению сетчатого фильтра.

ПРИМЕЧАНИЕ: Всегда используйте пылесос с установленными фильтрами даже при использовании циклонного фильтра. Использование пылесоса без установленных фильтров может привести к неисправности двигателя.

ПРИМЕЧАНИЕ: Перед использованием убедитесь в том, что циклонный фильтр, пылесос и удлиняющая труба (прямая труба) зафиксированы надлежащим образом.

ПРИМЕЧАНИЕ: Опорожняйте корпус для сбора пыли циклонного фильтра и контейнер пылесоса при заполнении пылью. Дальнейшее использование может привести к уменьшению силы всасывания.

ПРИМЕЧАНИЕ: Вы также можете использовать циклонный фильтр без фиксации.

ПРИМЕЧАНИЕ: Порядок установки или снятия циклонного фильтра см. в разделе "Установка и снятие насадок пылесоса".

Удаление пыли

При заполнении пылью до уровня линии заполнения в корпусе для сбора пыли выполните описанную далее процедуру и утилизируйте пыль.

1. Крепко удерживая корпус для сбора пыли, нажмите и удерживайте две кнопки, после чего снимите корпус для сбора пыли.

- **Рис.38:** 1. Линия заполнения 2. Корпус для сбора пыли 3. Кнопка (два положения)
4. Сетчатый фильтр

2. Удалите пыль из корпуса для сбора пыли и удалите пыль и мелкую пыль с поверхности сетчатого фильтра.

3. Полностью вставьте корпус для сбора пыли таким образом, чтобы две кнопки зафиксировались со щелчком.

- **Рис.39:** 1. Корпус для сбора пыли 2. Кнопка (два положения)

ВНИМАНИЕ: При повторной сборке корпуса для сбора пыли следите за тем, чтобы не защемить пальцы.

ПРИМЕЧАНИЕ: Перед возобновлением работы убедитесь в том, что циклонный фильтр, пылесос и удлиняющая труба (прямая труба) зафиксированы надлежащим образом.

ПРИМЕЧАНИЕ: Если сила всасывания не восстановится даже после удаления пыли и очистки сетчатого фильтра, убедитесь в том, что пыль не скопилась в контейнере пылесоса, или в том, что не произошло засорения.

ПРИМЕЧАНИЕ: Пыль при удалении из циклонного фильтра может подняться в воздух. Соблюдайте осторожность, чтобы пыль не попала в глаза.

Очистка

ВНИМАНИЕ: После промывки циклонного фильтра тщательно высушите его перед использованием. Недостаточно высушенные компоненты могут привести к поражению электрическим током или выходу прибора из строя.

Когда загрязнится корпус для сбора пыли или засорится сетчатый фильтр, извлеките и промойте их водой. (Процедуру удаления см. в разделе "Утилизация пыли").

Тщательно просушите детали перед повторной установкой и использованием.

- **Рис.40:** 1. Корпус для сбора пыли 2. Сетчатый фильтр

Если сетчатый фильтр сильно загрязнен, очистите его, выполнив указанные далее процедуры.

1. Поверните сетчатый фильтр в направлении стрелки и извлеките его, пока крючки находятся в незафиксированном положении.

- **Рис.41:** 1. Сетчатый фильтр 2. Крючок

2. Удалите пыль из сетчатого фильтра и промойте его водой. После этого тщательно просушите его.

3. Вставьте сетчатый фильтр в основание таким образом, чтобы крючки расположились на одной линии с отверстием. Поверните сетчатый фильтр в направлении стрелки до защелкивания крючков. Убедитесь в том, что сетчатый фильтр надежно зафиксирован.

- **Рис.42:** 1. Сетчатый фильтр 2. Крючок
3. Отверстие

Makita Europe N.V. Jan-Baptist Vinkstraat 2,
3070 Kortenberg, Belgium

Makita Corporation 3-11-8, Sumiyoshi-cho,
Anjo, Aichi 446-8502 Japan

www.makita.com

885A24-962
EN, SL, SQ, BG,
HR, MK, SR, RO,
UK, RU
20221114