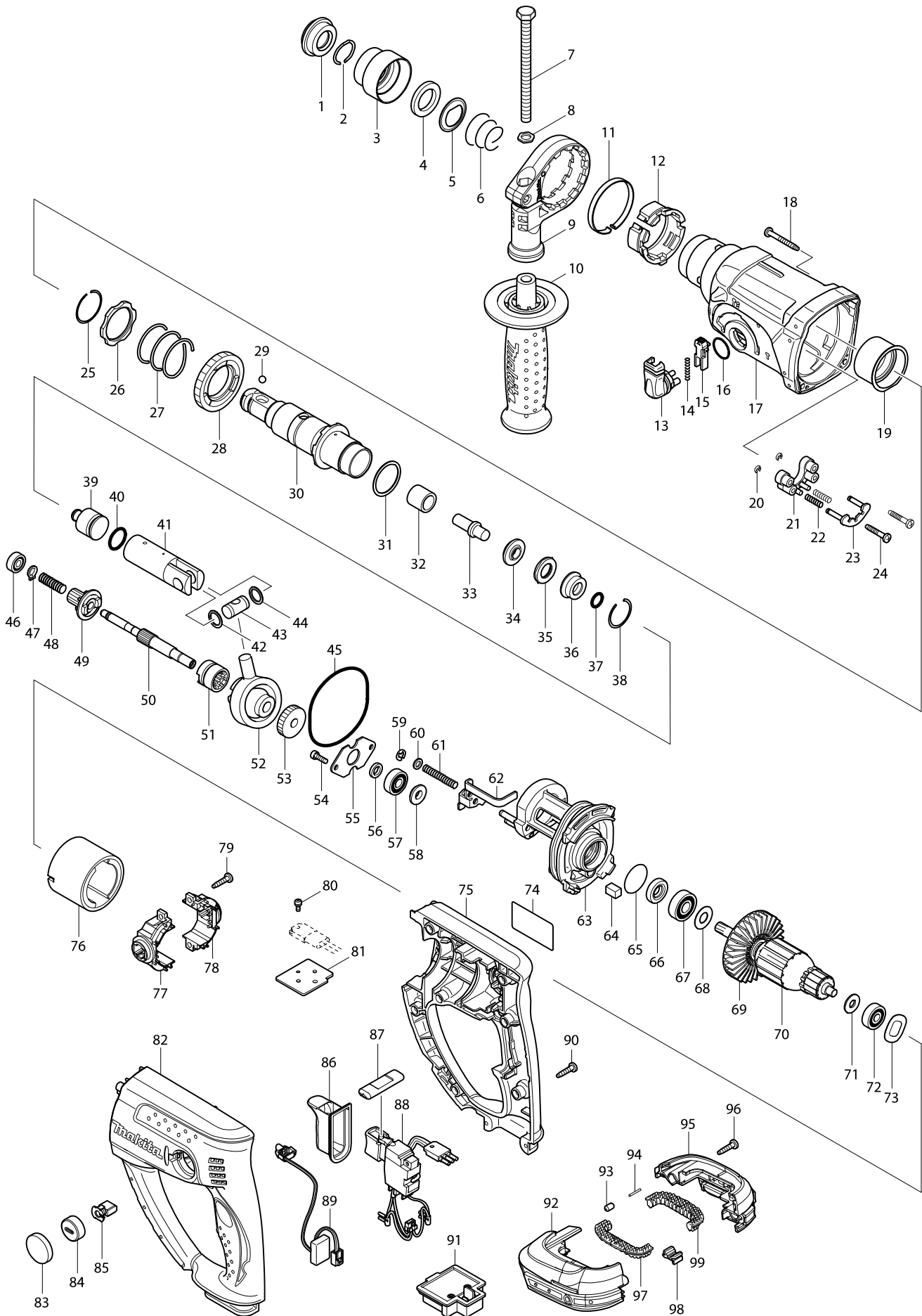


# Model No. DHR202 CORDLESS COMBINATION HAMMER



# Model No. DHR202 CORDLESS COMBINATION HAMMER

Item	Parts No.	Description	I/C	QTY	N/O	Opt. 1	Opt. 2	NOTE
001	286263-4	CAP 35		1	100			
002	233940-9	RING SPRING 19		1	100			
003	417629-9	CHUCK COVER		1	100			
004	257241-1	RING 21		1	100			
005	345187-4	GUIDE WASHER		1	100			
006	233916-6	CONICAL COMP. SPRING 21-29		1	100			
007	921923-8	HEX. BOLT M8X120		1	100			
008	345280-4	HEX. WASHER		1	100			
009	417630-4	GRIP BASE		1	100			
010	158057-6	GRIP 36 COMPLETE		1				
C10	931402-8	HEX. NUT M8		1	100			
013	162245-9	CHANGE LEVER		1	100			
014	233459-8	COMPRESSION SPRING 3		1	100			
015	419192-8	LOCK BUTTON		1	100			
016	213278-8	O RING 17		1	100			
017	158216-2	GEAR HOUSING COMPLETE		1	100			
C10	213345-9	OIL SEAL 25		1	100			
018	266351-3	TAPPING SCREW 4X35		4	100			
019	153290-5	NEEDLE BEARING COMPLETE		1	100			
020	961017-7	STOP RING E-3		2	100			
021	417796-0	GUIDE BASE		1	100			
022	233344-5	COMPRESSION SPRING 4		2	100			
023	163430-7	LOCK PLATE COMPLETE		1	100			
024	266374-1	TAPPING SCREW 4X25		2	100			
025	233929-7	RING SPRING 29		1	100			
026	267460-1	WASHER 31		1	100			
027	233401-9	COMPRESSION SPRING 32		1	100			
028	227109-5	SPUR GEAR 51		1	100			
029	216022-2	STEEL BALL 7.0		1	100			
030	158574-6	TOOL HOLDER COMPLETE		1	100			
031	267229-3	FLAT WASHER 28		1	100			
032	331769-8	SLEEVE 9		1	100			
033	324669-9	IMPACT BOLT		1	100			
034	324402-9	RING 10		1	100			
035	421955-0	CUSHION RING 13		1	100			
036	324216-6	O RING CASE		1	100			
037	213073-6	O RING 9		1	100			
038	233917-4	RING SPRING 28		1	100			
039	324214-0	STRIKER		1	100			
040	213227-5	O RING 16		1	100			
041	318132-2	PISTON CYLINDER		1	100			
042	267104-3	FLAT WASHER 12		1	100			
043	324215-8	PISTON JOINT		1	100			
044	267104-3	FLAT WASHER 12		1	100			
045	213727-5	O-RING 63		1	100			
046K	211012-0	BALL BEARING 606ZZ		1	*	100		
046L	211012-0	BALL BEARING 606ZZ		1	*	100		
046O	211012-0	BALL BEARING 606ZZ		1	*	100		

# Model No. DHR202 CORDLESS COMBINATION HAMMER

Item	Parts No.	Description	I/C	QTY	N/O	Opt. 1	Opt. 2	NOTE
046P	211012-0	BALL BEARING 606ZZ		1	*	100		
046R	211012-0	BALL BEARING 606ZZ		1	*	100		
046S	211012-0	BALL BEARING 606ZZ		1	*	100		
046T	211012-0	BALL BEARING 606ZZ		1	*	100		
046-1K	210028-2	BALL BEARING 606ZZ	O	1		100		
046-1L	210028-2	BALL BEARING 606ZZ	O	1		100		
046-1O	210028-2	BALL BEARING 606ZZ	O	1		100		
046-1P	210028-2	BALL BEARING 606ZZ	O	1		100		
046-1R	210028-2	BALL BEARING 606ZZ	O	1		100		
046-1S	210028-2	BALL BEARING 606ZZ	O	1		100		
046-1T	210028-2	BALL BEARING 606ZZ	O	1		100		
046-1U	210028-2	BALL BEARING 606ZZ		1		100		
047	961003-8	RETAINING RING S-7		1		100		
048	233343-7	COMPRESSION SPRING 7		1		100		
049	227179-4	SPUR GEAR 10		1		100		
050	324668-1	CAM SHAFT		1		100		
051	331992-5	CLUTCH CAM		1		100		
052	219014-0	SWASH BEARING 10		1		100		
053	226632-7	HELICAL GEAR 25		1		100		
054	266273-7	HEX. SOCKET HEAD BOLT M4X12		2		100		
055	345179-3	BEARING RETAINER		1		100		
056	267234-0	FLAT WASHER 8		1		100		
057K	211032-4	BALL BEARING 608ZZ		1	*	100		
057L	211032-4	BALL BEARING 608ZZ		1	*	100		
057O	211032-4	BALL BEARING 608ZZ		1	*	100		
057P	211032-4	BALL BEARING 608ZZ		1	*	100		
057R	211032-4	BALL BEARING 608ZZ		1	*	100		
057S	211032-4	BALL BEARING 608ZZ		1	*	100		
057T	211032-4	BALL BEARING 608ZZ		1	*	100		
057-1K	210029-0	BALL BEARING 608ZZ	O	1		100		
057-1L	210029-0	BALL BEARING 608ZZ	O	1		100		
057-1O	210029-0	BALL BEARING 608ZZ	O	1		100		
057-1P	210029-0	BALL BEARING 608ZZ	O	1		100		
057-1R	210029-0	BALL BEARING 608ZZ	O	1		100		
057-1S	210029-0	BALL BEARING 608ZZ	O	1		100		
057-1T	210029-0	BALL BEARING 608ZZ	O	1		100		
057-1U	210029-0	BALL BEARING 608ZZ		1		100		
058	324212-4	RING 8		1		100		
059	961011-9	STOP RING E-4		1		100		
060	941102-2	FLAT WASHER 5		1		100		
061	233342-9	COMPRESSION SPRING 6		1		100		
062	345363-0	CHANGE PLATE		1		100		
063	141574-3	INNER HOUSING COMPLETE		1		100		
065	213407-3	O RING 26		1		100		
066	213077-8	OIL SEAL 10		1		100		
067	210059-1	BALL BEARING 6000DDW		1		100		
068	267213-8	FLAT WASHER 10		1		100		
069	240092-9	FAN 64		1		100		

# Model No. DHR202 CORDLESS COMBINATION HAMMER

Item	Parts No.	Description	I/C	QTY	N/O	Opt. 1	Opt. 2	NOTE
070	519226-8	ARMATURE ASS'Y 18V		1	151			
D10		INC. 67-69,71,72						
071	253823-7	FLAT WASHER 7		1	100			
072	210023-2	BALL BEARING 627DDW		1	100			
073	267816-8	WAVE WASHER 15		1	100			
074	815F22-1	DHR202 NAME PLATE		1	100			
075	188515-8	HOUSING SET		1	100			
D10		INC. 82						
076	638020-0	YOKE UNIT		1	100			
077	638977-5	BRUSH HOLDER COMPLETE		1	100			
079	266326-2	TAPPING SCREW 4X18		2	100			
080	911011-9	PAN HEAD SCREW M3X10		1	100			
081	689070-8	HEAT SINK		1	100			
082	188515-8	HOUSING SET		1	100			
D10		INC. 75						
083	424128-4	HOLDER CAP COVER		2	100			
084	643829-7	HOLDER CAP		2	100			
085	194435-6	CARBON BRUSH CB-441		1	100			
086	424111-1	SWITCH COVER		1	100			
087	450615-7	F/R CHANGE LEVER		1	100			
088	638882-6	SWITCH UNIT		1	100			
089	631792-6	LIGHT CIRCUIT		1	100			
090	266326-2	TAPPING SCREW 4X18		7	100			
091	644808-8	TERMINAL		1	100			
092	187212-3	BATTERYHOUSING SET		1	100			
C10	263005-3	RUBBER PIN 6		2	100			
D10		INC. 95						
093	263036-2	RUBBER PIN 5		1	100			
094	268184-2	PIN 1.5		1	100			
095	187212-3	BATTERYHOUSING SET		1	100			
C10	263005-3	RUBBER PIN 6		2	100			
D10		INC. 92						
096	266326-2	TAPPING SCREW 4X18		2	100			
097	424042-4	CUSHION RUBBER		1	100			
098	424476-1	CUSHION		1	100			
099	424042-4	CUSHION RUBBER		1	100			
100	123100-0	TOOL HOLDER ASS'Y		1	100			
D10		INC. 25-28,30,32-38						
A01	324219-0	DEPTH GAUGE		1				
A02L	194204-5	BATTERY BL1830 SET		2	*			
A02O	194204-5	BATTERY BL1830 SET		1	*			
A02P	194204-5	BATTERY BL1830 SET		3	*			
A02R	194204-5	BATTERY BL1830 SET		2	*			
A02S	821551-8	CONNECTOR PLASTIC CASE (TYPE3)		1				
C10	453974-8	LATCH		4	100			
A02T	196399-0	BATTERY BL1840 SET		2	*			
A02-1L	194204-5	BATTERY BL1830 SET	O	2				
A02-1O	194204-5	BATTERY BL1830 SET	O	1				

# Model No. DHR202 CORDLESS COMBINATION HAMMER

Item	Parts No.	Description	I/C	QTY	N/O	Opt. 1	Opt. 2	NOTE
A02-1P	194204-5	BATTERY BL1830 SET	O	3				
A02-1R	194204-5	BATTERY BL1830 SET	O	2				
A02-1T	196399-0	BATTERY BL1840 SET	O	2	*			
A02-1U	196399-0	BATTERY BL1840 SET		1	*			
A02-2T	197265-4	BATTERY BL1840B SET	<	2				
A02-2U	197265-4	BATTERY BL1840B SET	<	1				
A03L	450128-8	BATTERY COVER		1				
A03P	450128-8	BATTERY COVER		2				
A03R	450128-8	BATTERY COVER		1				
A03S	837634-4	INNER TRAY		1				
A03T	450128-8	BATTERY COVER		1				
A04L	***DC18RC	DC18RC FAST CHARGER		1				
A04O	***DC18RC	DC18RC FAST CHARGER		1				
A04P	***DC18RC	DC18RC FAST CHARGER		1				
A04R	***DC18RC	DC18RC FAST CHARGER		1				
A04S	802W03-6	DHR202ZJ INDICATION LABEL		1	100			
A04T	***DC18RC	DC18RC FAST CHARGER		1				
A04U	***DC18RC	DC18RC FAST CHARGER		1				
A05L	141642-2	PLASTIC CASE COMPLETE		1				
C10	163455-1	LATCH		2				
A05O	141642-2	PLASTIC CASE COMPLETE		1				
C10	163455-1	LATCH		2				
A05P	141642-2	PLASTIC CASE COMPLETE		1				
C10	163455-1	LATCH		2				
A05R	821551-8	CONNECTOR PLASTIC CASE (TYPE3)		1				
C10	453974-8	LATCH		4	100			
A05S	802W05-2	DHR202ZJ PLASTIC CASE LABEL		2	100			
A05T	821551-8	CONNECTOR PLASTIC CASE (TYPE3)		1				
C10	453974-8	LATCH		4	100			
A05U	821551-8	CONNECTOR PLASTIC CASE (TYPE3)		1				
C10	453974-8	LATCH		4	100			
A06R	837634-4	INNER TRAY		1				
A06T	837634-4	INNER TRAY		1				
A06U	837634-4	INNER TRAY		1				
A07R	802W02-8	DHR202RFJ INDICATION LABEL		1	100			
A07T	802W00-2	DHR202RMJ INDICATION LABEL		1	100			
A07U	805W41-7	DHR202RM1J INDICATION LABEL		1				
A08R	802W04-4	DHR202RFJ PLASTIC CASE LABEL		2	100			
A08T	802W01-0	DHR202RMJ PLASTIC CASE LABEL		2	100			
A08U	805W42-5	DHR202RM1J PLASTIC CASE LABEL		2				