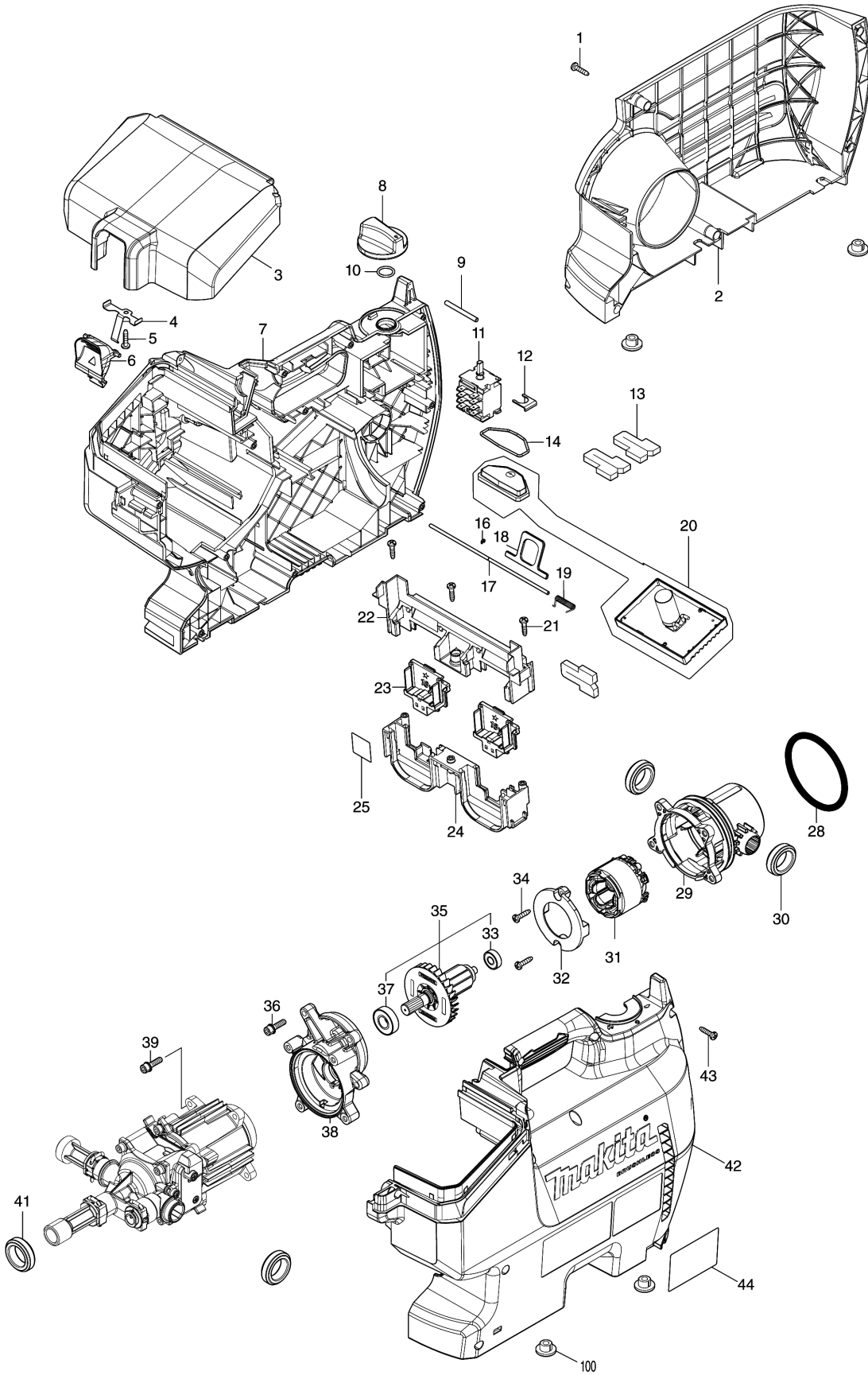
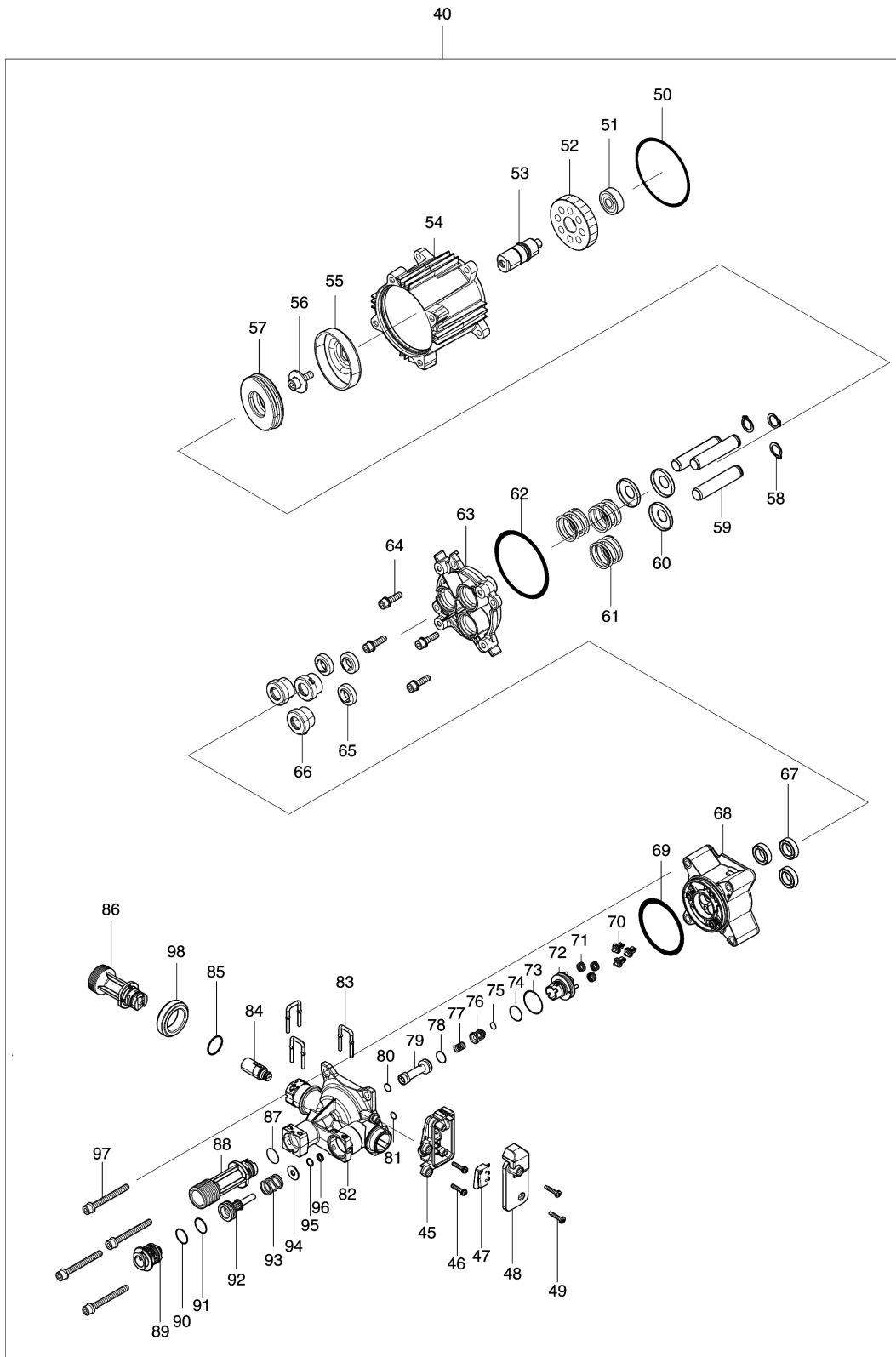


Model No.DHW080 CORDLESS HIGH PRESSURE WASHER





Model No.DHW080 CORDLESS HIGH PRESSURE WASHER





Model No.DHW080 CORDLESS HIGH PRESSURE WASHER

Položaj	Številka dela	Opis	Sprememba	Količina	New/Old	Opcijsko 1	Opcijsko 2	Opomba
001	266326-2	Pločevinasti vijak 4x18 UB1103		5				
002	458336-5	ACCESSORY BOX		1				
003	458332-3	BATTERY BOX COVER		1	*			
003-1	412900-6	BATTERY BOX COVER	S	1	*			
003-2	413734-0	BATTERY BOX COVER	<	1				
004	232471-5	LEAF SPRING		1	*			
004-1	232658-9	LEAF SPRING	<	1				
005	266326-2	Pločevinasti vijak 4x18 UB1103		1				
006	459380-5	LOCK LEVER		1				
007	183M37-1	HOUSING SET		1	*			
C10	809R02-9	CAUTION LABEL		1	*			
D10		INC. 42			*			
007-1	183R51-7	HOUSING SET	S	1				
C10	809R02-9	CAUTION LABEL		1				
D10		INC. 42						
008	456837-7	SWITCH DIAL 50		1				
009	268292-9	Zatič 4		1				
010	213176-6	O-Tesnilo 14 M442		1				
011	651382-9	SWITCH 1703.4702		1				
012	347530-3	LOCK PLATE		1				
013	422411-3	SPONGE		3				
014	213527-3	O tesnilo 38 HM0860C		1				
016	257926-9	Zaporno tesnilo E-2.0		1				
017	327333-1	ROD 3		1				
018	347513-3	HOOK		1				
019	232435-9	TORSION SPRING 4		1	*			
019-1	232704-8	TORSION SPRING 4	<	1				
020	620B17-5	CONTROLLER COMPLETE		1				
C10	819R38-0	INDICATION LABEL		1				
021	266326-2	Pločevinasti vijak 4x18 UB1103		3				
022	183M55-9	TERMINAL HOLDER SET		1				
C10	263005-3	Gumi zatič 6		4				
D10		INC. 24						
023	644809-6	TERMINAL		2				
024	183M55-9	TERMINAL HOLDER SET		1				
C10	263005-3	Gumi zatič 6		4				
D10		INC. 22						
025	855Y74-4	DHW080 SERIAL NO. LABEL		1				
028	422250-1	RECEIVE RUBBER		1				
029	458326-8	MOTOR HOUSING		1				
030	422409-0	RUBBER CUSHION		2				

Model No.DHW080 CORDLESS HIGH PRESSURE WASHER

Položaj	Številka dela	Opis	Sprememba	Količina	New/Old	Opcijsko 1	Opcijsko 2	Opomba
031	629414-0	STATOR		1				
032	458327-6	BAFFLE PLATE		1				
033	210062-2	Kroglični ležaj 607ZZ		1				
034	266326-2	Pločevinasti vijak 4x18 UB1103		2				
035	519570-3	ROTOR ASSEMBLY		1				
D10		INC. 33,37						
036	922233-6	Inbus vijak M5X20 DCS230T		4				
037	211131-2	Kroglični ležaj 6001DDW		1				
038	161823-2	GEAR HOUSING COMPLETE		1				
C10	263002-9	Gumi zatič 4		2				
039	922233-6	Inbus vijak M5X20 DCS230T		4				
040	126764-9	PUMP ASSEMBLY		1	*			
D10		INC. 45-98			*			
040-1	127722-8	PUMP ASSEMBLY	<	1	*			
D10		INC. 45-98			*			
040-2	127774-9	PUMP ASSEMBLY	<	1	*			
D10		INC. 45-98			*			
040-3	122A67-5	PUMP ASSEMBLY	<	1				
D10		INC. 45-98						
041	422409-0	RUBBER CUSHION		2				
042	183M37-1	HOUSING SET		1	*			
C10	809R02-9	CAUTION LABEL		1	*			
D10		INC. 7			*			
042-1	183R51-7	HOUSING SET	S	1				
C10	809R02-9	CAUTION LABEL		1				
D10		INC. 7						
043	266326-2	Pločevinasti vijak 4x18 UB1103		11				
044	855Y66-3	DHW080 NAME PLATE		1				
045	183M00-4	SWITCH BOX SET		1				
D10		INC. 48						
046	911028-2	Vijak z nizko cilindrično glavo M3X16 4604D		2				
047	632N61-2	SWITCH UNIT		1				
048	183M00-4	SWITCH BOX SET		1				
D10		INC. 45						
049	266130-9	Samovrezni vijak PT 3X16 6935FD		2				
050	213706-3	O Tesnilo 67		1				
051	210032-1	BALL BEARING 628DDW		1				
052	221597-8	HELICAL GEAR 47		1				
053	327076-5	SPINDLE		1				

Model No.DHW080 CORDLESS HIGH PRESSURE WASHER

Položaj	Številka dela	Opis	Sprememba	Količina	New/Old	Opcijsko 1	Opcijsko 2	Opomba
054	161821-6	PUMP HOUSING COMPLETE		1				
055	347341-6	WOBBLE PLATE 8.5		1				
056	265A34-8	H.S.H.BOLT M6X20 WITH WR		1				
057	210176-7	THRUST BALL BEARING 2454		1				
058	961052-5	Zaščitni obroč S-12		3				
059	327075-7	PISTON PIN 12		3				
060	347340-8	SPRING RETAINER C		3				
061	232434-1	COMPRESSION SPRING 22		3				
062	213706-3	O Tesnilo 67		1				
063	319670-7	PISTON SYLINDER		1				
064	922233-6	Inbus vijak M5X20 DCS230T		4				
065	213861-1	OIL SEAL 12		3				
066	458323-4	SEAL HOLDER 12		3				
067	422254-3	PACKING 12		3				
068	161820-8	PISTON HOUSING COMPLETE		1	*			
068-1	162994-8	PISTON HOUSING COMPLETE	<	1				
069	213656-2	O Tesnilo 53		1				
070	458320-0	OUTFLOW VALVE		3				
071	232432-5	COMPRESSION SPRING 7		3				
072	458321-8	VALVE HOLDER		1				
073	213379-2	O Tesnilo 21		1				
074	213238-0	O-RING 13		1				
075	213005-3	O RING 5		1				
076	458322-6	SPRING RETAINER A		1				
077	232433-3	COMPRESSION SPRING 6		1				
078	213055-8	O Tesnilo 10		1				
079	458309-8	ADJUST HOLDER		1				
080	213011-8	O Tesnilo 7 LS1216		1				
081	213005-3	O RING 5		1				
082	319784-2	PUMP HEAD		1				
083	327074-9	U TYPE PIN 3		3				
084	126765-7	RELIEF VALVE ASSEMBLY		1				
085	213176-6	O-Tesnilo 14 M442		1				
086	458316-1	INFLOW JOINT		1				
087	213176-6	O-Tesnilo 14 M442		1				
088	458315-3	OUTFLOW JOINT		1	*			
088-1	412804-2	OUTFLOW JOINT	<	1				
089	458310-3	PUMP HEAD CAP		1				
090	213223-3	O Tesnilo 16		1				
091	213154-6	O Tesnilo 14		1	*			

Please order the parts with part number.

Print Date 29/10/2021

Model No.DHW080 CORDLESS HIGH PRESSURE WASHER

Položaj	Številka dela	Opis	Sprememba	Količina	New/Old	Opcijsko 1	Opcijsko 2	Opomba
091-1	213922-7	O-RING 14	<	1				
092	458311-1	PRESSURE PIN		1				
093	232429-4	COMPRESSION SPRING 11		1				
094	253407-1	FLAT WASHER 5A		1				
095	213005-3	O RING 5		1				
096	253408-9	FLAT WASHER 5B		1				
097	265A33-0	H.S.H.BOLT M5X50 WITH WR		4				
098	422409-0	RUBBER CUSHION		1				
100	286212-1	Pokrov 20		4				
101	422719-5	BATTERY COVER SEAL		1				
A01	197842-2	TRIGGER GUN SET		1				
A02	197822-8	VARIABLE NOZZLE SET		1				
A03	197873-1	SELF-SUCTION HOSE SET		1	*			
A03-1	197873-1	SELF-SUCTION HOSE SET	O	1				
A04	197883-8	ONE TOUCH JOINT SET		1				
A05	197881-2	ABSORPTION CONNECTOR SET		1				
A06	197879-9	CLEANER PIN SET		1				
A07	126766-5	HIGH PRESSURE HOSE 5M		1				
A08	127104-4	STORAGE BOX ASSEMBLY		1				
D10		COMPO-PARTS						
A09	197824-4	CYCLONE JET NOZZLE SET		1				
A10B	197280-8	BATTERY BL1850B SET		2				
A11B	***DC18RD	DC18RD TWO PORT FAST CHARGER		1				
D10		COMPO-PARTS						
E01	819S90-4	SOUND 87DB LABEL		1				

Please order the parts with part number.

Print Date 29/10/2021