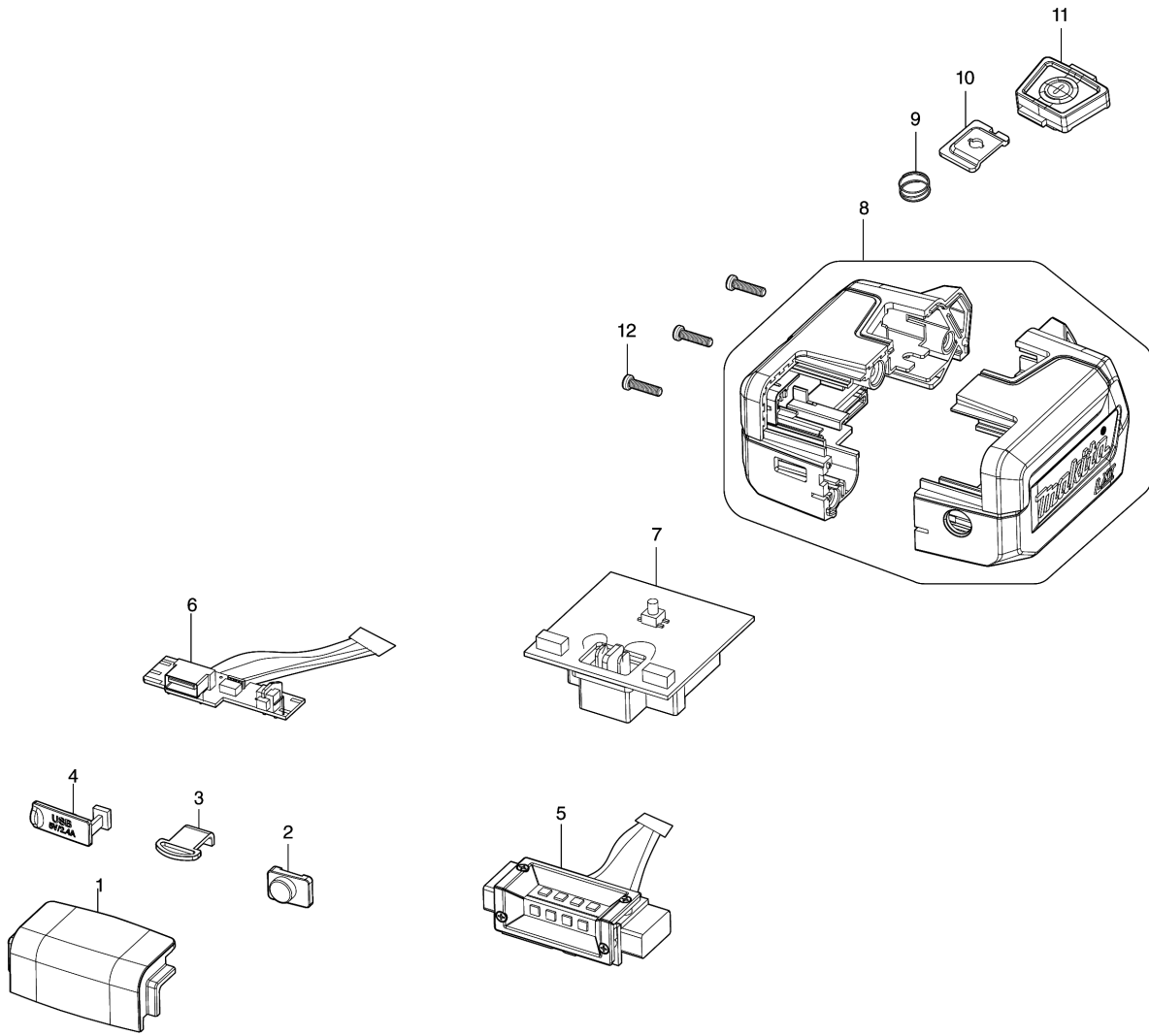


Model No.DML817 CORDLESS WORKLIGHT



Model No.DML817 CORDLESS WORKLIGHT

Položaj	Številka dela	Opis	Sprememba	Količina	New/Old	Opcijsko 1	Opcijsko 2	Opomba
001	GM00002458	LENS		1				
002	GM00002459	USB SWITCH BUTTON		1				
003	GM00002460	STRAP HOOK		1				
004	GM00002461	USB COVER		1				
005	GM00002471	LED PCBA ASSY		1				
006	GM00002472	USB PCBA ASSY		1				
007	GM00002473	MAIN PCBA ASSY		1				
008	GM00002474	BODY ASSY BLUE		1				
009	GM00002468	SWITCH SPRING		1				
010	GM00002469	SWITCH SPRING BRACKET		1				
011	GM00002470	SWITCH ASSY		1				
012	GM00001012	SCREW 3X12 PB BLACK ZN		3				
A01	GM00002457	LAMP SHADE		1				

Please order the parts with part number.

Print Date 20/9/2023