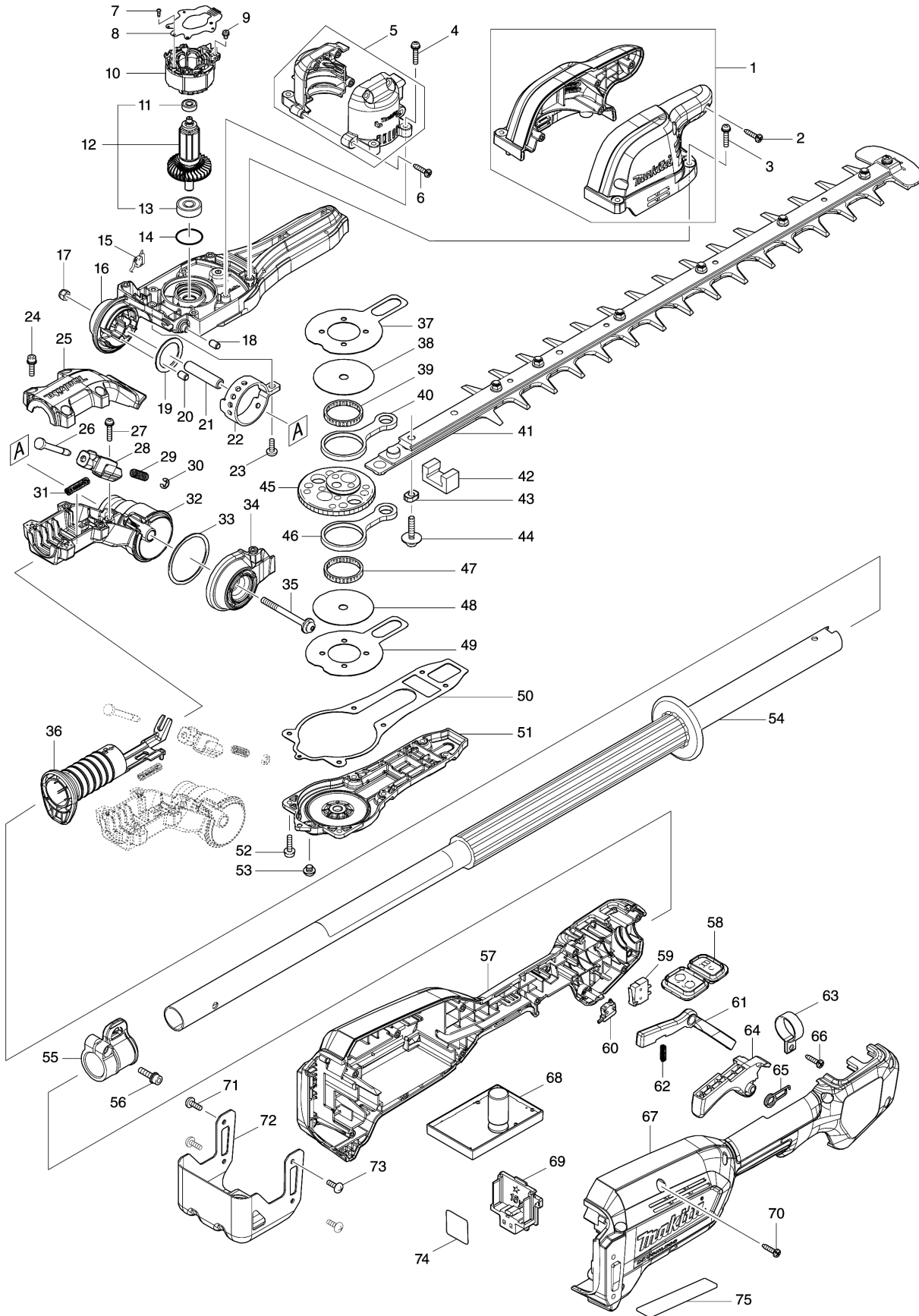


Model No.DUN500W CORDLESS POLE HEDGE TRIMMER



Model No.DUN500W CORDLESS POLE HEDGE TRIMMER

Položaj	Številka dela	Opis	Sprememba	Količina	New/Old	Opcijsko 1	Opcijsko 2	Opomba
001	183N85-6	HOUSING SET		1				
002	266326-2	Pločevinasti vijak 4x18 UB1103		4				
003	911138-5	Vijak z nizko cilindrično glavo M4x20		4				
004	911138-5	Vijak z nizko cilindrično glavo M4x20		4				
005	183N83-0	MOTOR HOUSING SET		1				
006	266326-2	Pločevinasti vijak 4x18 UB1103		4				
007	266490-9	TAPPING SCREW PT 2X6		3				
008	620B02-8	CONTROLLER B		1				
009	652069-6	FLAT HEAD SCREW M3X6		3				
010	629352-6	STATOR		1				
011	211157-4	BALL BEARING 695ZZ		1				
012	519598-1	ROTOR ASSY		1				
D10		INC. 11,13						
013	210005-4	Kroglični ležaj 608DDW 432*serija		1				
014	213961-7	O tesnilo 22		1				
015	632P71-1	SWITCH UNIT		1				
016	140R17-0	GEAR HOUSING COMPLETE		1				
017	252103-8	Šesterokotna matica M5-8 5604R		1				
018	263005-3	Gumi zatič 6		1				
019	267304-5	Ploska kovinska podložka 25 HR1830FT		1				
020	263005-3	Gumi zatič 6		3				
021	257761-5	SLEEVE 6		1				
022	347656-1	ANGULAR HOLDER		1				
023	265487-5	H.S. BUTTON HEAD BOLT M5X16		1				
024	922128-3	Inbus vijak M4x16		4				
025	319952-7	PIPE HOLDER COVER 24		1				
026	327514-7	STOPPER PIN		1				
027	911138-5	Vijak z nizko cilindrično glavo M4x20		1				
028	412295-7	STOPPER PIN HOLDER		1				
029	233096-8	Tlačna spiralna vzmet 5		1	*			
029-1	231294-8	Tlačna spiralna vzmet 6	<	1				
030	961011-9	Zaporno tesnilo E-4 432*series		1				
031	232299-1	COMPRESSION SPRING 5		1				
032	319950-1	PIPE HOLDER 24		1				
033	267190-4	FLAT WASHER 45		1				
034	319951-9	SIDE COVER		1				
035	265A90-8	H.S.B. HEAD BOLT M5X60 WITH WR		1				
036	412296-5	SLIDE GRIP 24		1				

Please order the parts with part number.

Print Date 19/2/2021

Model No.DUN500W CORDLESS POLE HEDGE TRIMMER

Položaj	Številka dela	Opis	Sprememba	Količina	New/Old	Opcijsko 1	Opcijsko 2	Opomba
037	347361-0	FRICITION PLATE		1				
038	347661-8	PLATE		1				
039	212229-8	NEEDLE CAGE 315		1				
040	347662-6	CONNECTING ROD		1				
041	191C14-9	SHEAR BLADE 500 SET		1				
C10	197438-9	GREASE VESSEL SET(D)		1	*			
C11	199450-5	GREASE VESSEL SET	0	1				
C20	345205-8	BRANCH CATCHER		1				
C30	911208-0	Vijak z nizko cilindrično glavo M5X10 AH3655		1				
D10		INC. 43						
042	443159-4	SEAL		1				
043	257439-0	SLEEVE 5		2				
044	265A89-3	H.S.H.BOLT M5X25 WITH WR		2				
045	226958-7	HELICAL GEAR 68		1				
046	347662-6	CONNECTING ROD		1				
047	212229-8	NEEDLE CAGE 315		1				
048	347661-8	PLATE		1				
049	347361-0	FRICITION PLATE		1				
050	422568-0	GEAR HOUSING GASKET		1				
051	319949-6	GEAR HOUSING COVER		1				
052	922128-3	Inbus vijak M4x16		6				
053	266559-9	H.S.BUTTON HEAD BOLT M6X4		1				
054	140R22-7	PIPE 24 COMPLETE		1				
C10	8008A7-9	CAUTION LABEL		1				
055	168478-4	HANGER		1				
056	922228-9	Inbus vijak M5x18 MEM427		1				
057	183N92-9	GRIP HOUSING SET		1				
C10	263005-3	Gumi zatič 6		2				
C20	252126-6	Šesterokotna matica M4-7 MT070		4				
D10		INC. 67						
058	140R24-3	SUB CONTROLLER COMPLETE		1				
C10	8008M5-7	SWITCH LABEL		1				
059	632E26-0	SWITCH UNIT		1				
060	632L49-0	SWITCH UNIT		1				
061	457773-0	LOCK OFF LEVER		1				
062	233101-1	Tlačna spiralna vzmet 4 AN611		1				
063	346248-3	Spona cevi		1				
064	412285-0	SWITCH LEVER		1				
065	233612-6	TORSION SPRING 10		1				

Model No.DUN500W CORDLESS POLE HEDGE TRIMMER

Položaj	Številka dela	Opis	Sprememba	Količina	New/Old	Opcijsko 1	Opcijsko 2	Opomba
066	266326-2	Pločevinasti vijak 4x18 UB1103		1				
067	183N92-9	GRIP HOUSING SET		1				
C10	263005-3	Gumi zatič 6		2				
C20	252126-6	Šesterokotna matica M4-7 MT070		4				
D10		INC. 57						
068	620C77-3	CONTROLLER		1				
069	644809-6	TERMINAL		1				
070	266326-2	Pločevinasti vijak 4x18 UB1103		9				
071	251314-2	Vijak M4x12		2				
072	347655-3	BATTERY GUARD		1				
073	251314-2	Vijak M4x12		2				
074	856T84-4	DUN500W SERIAL NO. LABEL		1				
075	856T79-7	DUN500W NAME PLATE		1				
A01	125516-5	BAND ASSEMBLY MS- 245.4CE		1				
A02	458413-3	BLADE COVER 500		1				
E01	807E85-5	SOUND 92DB LABEL		1				
E02	632P62-2	LEAD UNIT		1				
E03	632P79-5	LEAD UNIT		1				

Please order the parts with part number.

Print Date 19/2/2021