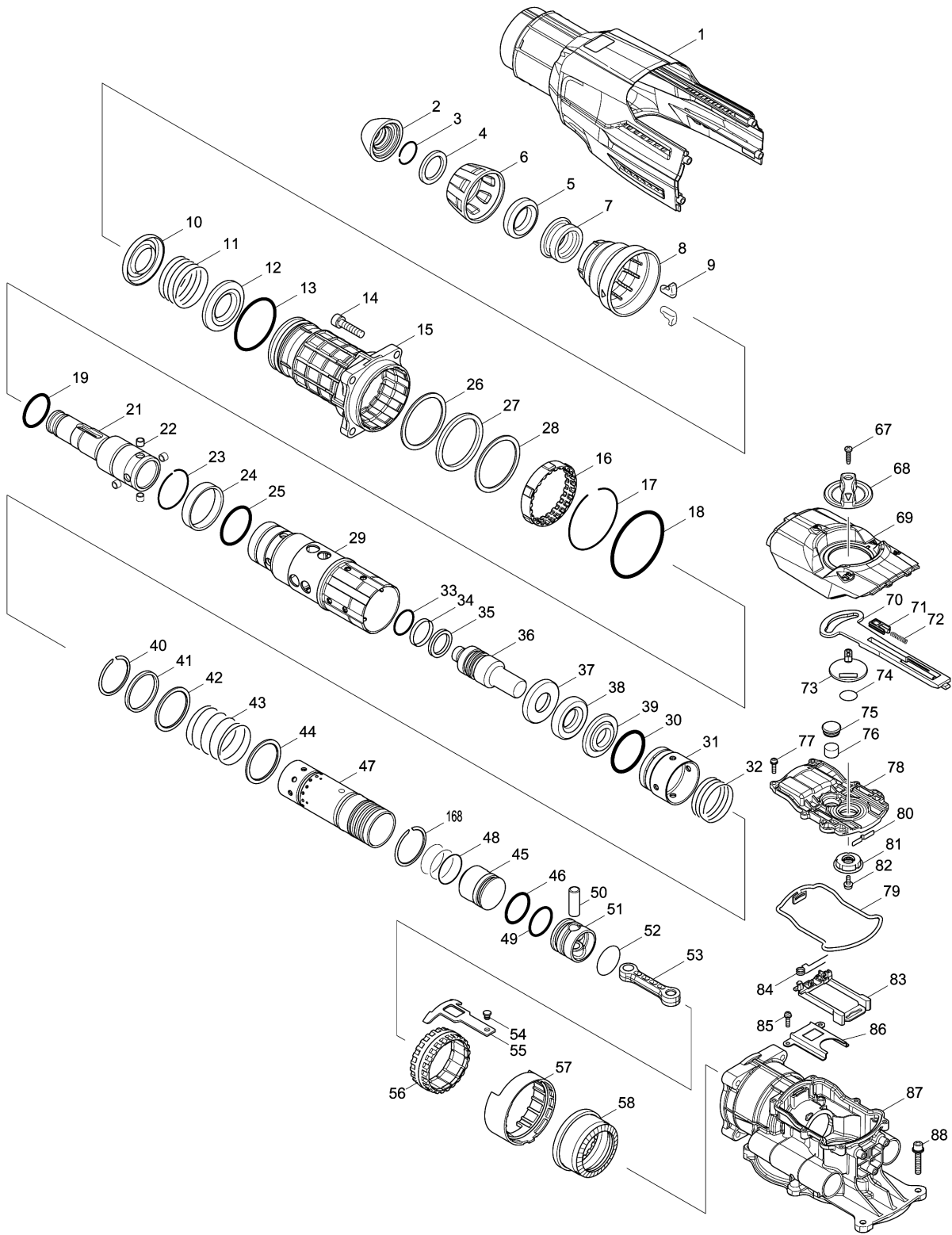
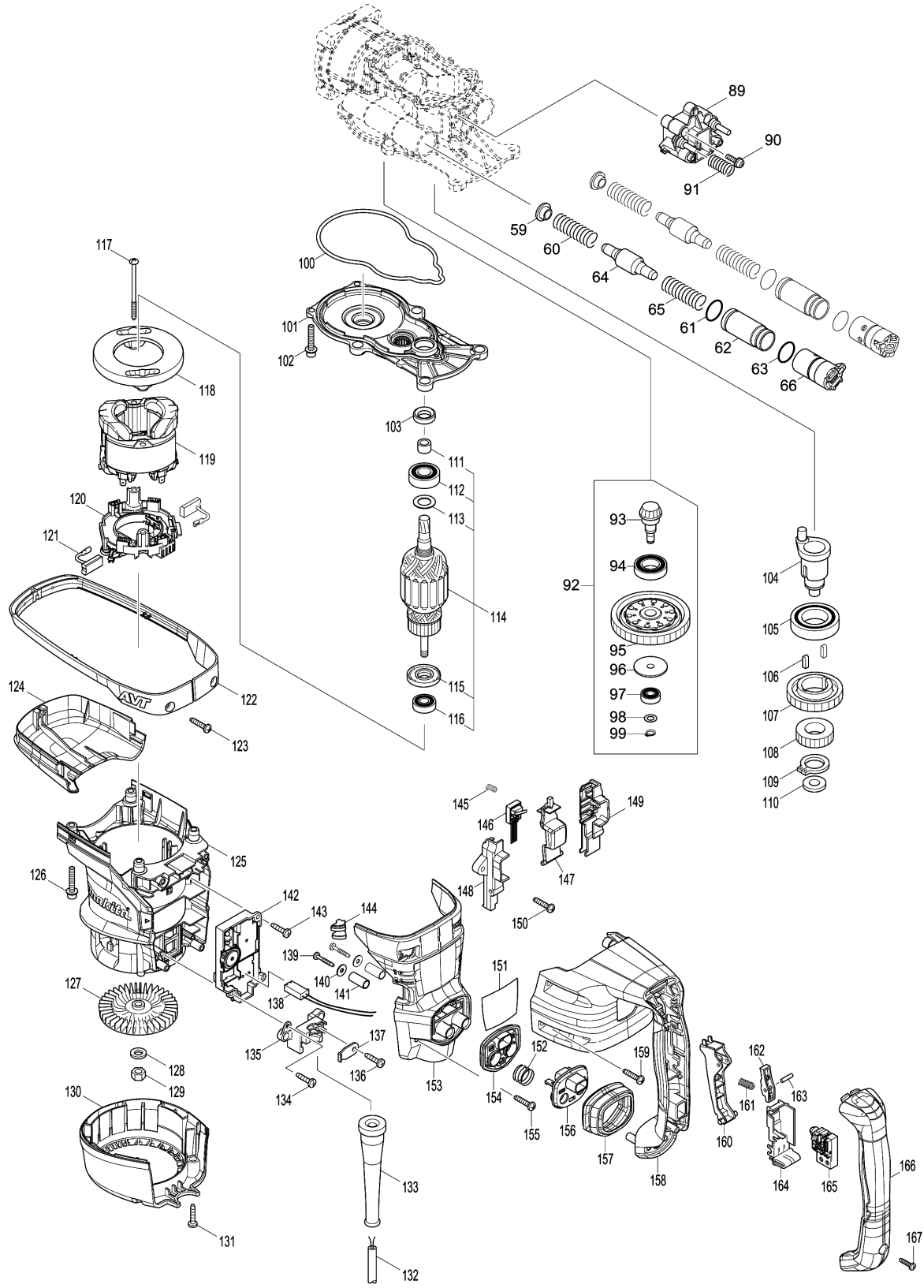


Model No.HR5212C ROTARY HAMMER 52MM



Model No.HR5212C ROTARY HAMMER 52MM



Model No.HR5212C ROTARY HAMMER 52MM

| Položaj | Številka dela | Opis | Sprememba | Količina | New/Old | Opcijsko 1 | Opcijsko 2 | Opomba |
|---------|---------------|---|-----------|----------|---------|------------|------------|--------|
| 001 | 142411-4 | HOUSING COVER A COMPLETE | | 1 | | | | |
| C10 | 810100-6 | CAUTION LABEL | | 1 | | | | |
| 002 | 286292-7 | Pokrovček držala orodja-pribora HR4003C | | 1 | | | | |
| 003 | 233948-3 | Vzmetna podložka 25 | | 1 | | | | |
| 004 | 257367-9 | RING 28 | | 1 | | | | |
| 005 | 262172-1 | RUBBER RING 29 | | 1 | | | | |
| 006 | 454767-6 | CHUCK COVER | | 1 | | | | |
| 007 | 324752-2 | Obroč hitro vpenjalne glave | | 1 | | | | |
| 008 | 454768-4 | RELEASE COVER | | 1 | | | | |
| 009 | 310178-4 | Blokadni zatič orodja | | 2 | | | | |
| 010 | 346751-4 | SPRING GUIDE | | 1 | | | | |
| 011 | 234317-1 | COMPRESSION SPRING 49 | | 1 | | | | |
| 012 | 346751-4 | SPRING GUIDE | | 1 | | | | |
| 013 | 213674-0 | O-RING 60 | | 1 | * | | | |
| 013-1 | 213664-3 | O RING 60 | O | 1 | | | | |
| 014 | 922456-6 | Inbus vijak M8X35 BPB180 | | 4 | | | | |
| 015 | 142408-3 | BARREL COMPLETE | | 1 | | | | |
| C10 | 213663-5 | O Tesnilo 55 | | 1 | | | | |
| C20 | 213778-8 | OIL SEAL 42 | | 1 | | | | |
| C30 | 214603-6 | PLANE BEARING 49 | | 1 | | | | |
| C40 | 259056-2 | RING SPRING 54 | | 1 | | | | |
| 016 | 454769-2 | LOCK SLEEVE | | 1 | | | | |
| 017 | 259057-0 | RING SPRING 74 | | 1 | | | | |
| 018 | 213766-5 | O tesnilo 78 | | 1 | | | | |
| 019 | 213789-3 | O-RING 38 | | 1 | | | | |
| 021 | 326361-3 | TOOL HOLDER A | | 1 | | | | |
| 022 | 268308-0 | PIN 9 | | 4 | | | | |
| 023 | 231989-3 | Vzmetna podložka 46 HM1202C | | 1 | | | | |
| 024 | 257353-0 | RING 49 | | 1 | | | | |
| 025 | 213779-6 | O-RING 45 | | 1 | | | | |
| 026 | 267477-4 | FLAT WASHER 60 | | 1 | | | | |
| 027 | 262171-3 | RUBBER RING 60 | | 1 | | | | |
| 028 | 267477-4 | FLAT WASHER 60 | | 1 | | | | |
| 029 | 326362-1 | TOOL HOLDER B | | 1 | | | | |
| 030 | 213783-5 | O-RING 48 | | 1 | | | | |
| 031 | 454761-8 | SLIDE SLEEVE | | 1 | | | | |
| 032 | 234318-9 | COMPRESSION SPRING 45 | | 1 | | | | |
| 033 | 213811-6 | O-RING 26.5 | | 1 | * | | | |
| 033-1 | 213811-6 | O-RING 26.5 | S | 3 | | | | |
| 034 | 213780-1 | FLUORIDE RING 32.5 | | 1 | * | | | |
| 034-1 | 213780-1 | FLUORIDE RING 32.5 | S | 3 | | | | |

Please order the parts with part number.

Print Date 18/2/2021

Model No.HR5212C ROTARY HAMMER 52MM

| Položaj | Številka dela | Opis | Sprememba | Količina | New/Old | Opcijsko 1 | Opcijsko 2 | Opomba |
|---------|---------------|--|-----------|----------|---------|------------|------------|--------|
| 035 | 213776-2 | X-RING 26 | | 1 | * | | | |
| 036 | 326374-4 | IMPACT BOLT | | 1 | * | | | |
| 036-1 | 327245-8 | IMPACT BOLT | S | 1 | * | | | |
| 036-2 | 327245-8 | IMPACT BOLT | O | 1 | | | | |
| 037 | 257354-8 | RING 23 | | 1 | | | | |
| 038 | 262173-9 | RUBBER RING 24 | | 1 | | | | |
| 039 | 267856-6 | SHOULDER WASHER 23 | | 1 | | | | |
| 040 | 257994-2 | RETAINING RING(EXT)WR-44 | | 1 | | | | |
| 041 | 257355-6 | RING 44 | | 1 | | | | |
| 042 | 267478-2 | FLAT WASHER 44 | | 1 | | | | |
| 043 | 234319-7 | COMPRESSION SPRING 46 | | 1 | | | | |
| 044 | 267478-2 | FLAT WASHER 44 | | 1 | | | | |
| 045 | 326377-8 | STRIKER | | 1 | | | | |
| 046 | 213781-9 | O-RING 33 | | 1 | | | | |
| 047 | 332093-2 | CYLINDER 40 | | 1 | | | | |
| 048 | 213460-9 | O Tesnilo 35 | | 3 | | | | |
| 049 | 213782-7 | O-RING 30 | | 1 | | | | |
| 050 | 257820-5 | SLEEVE 9 | | 1 | | | | |
| 051 | 319097-1 | PISTON | | 1 | | | | |
| 052 | 213460-9 | O Tesnilo 35 | | 1 | | | | |
| 053 | 454765-0 | CONNECTING ROD | | 1 | | | | |
| 054 | 256548-2 | FLAT FILLISTER HEAD PIN 6 HR4003C | | 1 | | | | |
| 055 | 346749-1 | LINK PLATE | | 1 | | | | |
| 056 | 313272-1 | DRIVING SLEEVE | | 1 | | | | |
| 057 | 454779-9 | GUIDE RING | | 1 | | | | |
| 058 | 227625-7 | SPIRAL BEVEL GEAR 33 | | 1 | | | | |
| 059 | 454774-9 | SPRING PLATE | | 2 | | | | |
| 060 | 233497-0 | Tlačna spiralna vzmet 15 | | 2 | | | | |
| 061 | 213953-6 | O tesnilo 24 | | 2 | | | | |
| 062 | 332092-4 | PIPE 21.5 | | 2 | | | | |
| 063 | 213953-6 | O tesnilo 24 | | 2 | | | | |
| 064 | 326375-2 | COUNTER WEIGHT | | 2 | | | | |
| 065 | 233497-0 | Tlačna spiralna vzmet 15 | | 2 | | | | |
| 066 | 454773-1 | HOLDER 15 | | 2 | | | | |
| 067 | 265995-6 | Samovrezni vijak 4X18 HP1620 | | 1 | | | | |
| 068 | 454326-6 | Gumb prestavnega mehanizma HR4003C HR4013C | | 1 | | | | |
| 069 | 319082-4 | CRANK CAP COVER | | 1 | | | | |
| 070 | 454770-7 | CONTROL PLATE | | 1 | | | | |
| 071 | 454771-5 | SLIDE PLATE | | 1 | | | | |

Model No.HR5212C ROTARY HAMMER 52MM

| Položaj | Številka dela | Opis | Sprememba | Količina | New/Old | Opcijsko 1 | Opcijsko 2 | Opomba |
|---------|---------------|---|-----------|----------|---------|------------|------------|--------|
| 072 | 234284-0 | Tlačna spiralna vzmet 4 HR4003C | | 1 | | | | |
| 073 | 454345-2 | Vzvod ročice HR4003C HR4013C | | 1 | | | | |
| 074 | 213262-3 | O Tesnilo 18 | | 1 | | | | |
| 075 | 424607-2 | FILTER CAP | | 1 | | | | |
| 076 | 443129-3 | FILTER | | 1 | | | | |
| 077 | 911128-8 | Vijak z nizko cilindrično glavo M4x16 | | 6 | | | | |
| 078 | 454764-2 | CRANK CAP | | 1 | | | | |
| 079 | 424608-0 | SEAL RING B | | 1 | | | | |
| 080 | 232280-2 | LEAF SPRING HR4003C | | 1 | | | | |
| 081 | 454766-8 | LINK LEVER | | 1 | | | | |
| 082 | 911511-9 | Vijak z nizko cilindrično glavo M4X10 HR4010C | | 1 | | | | |
| 083 | 454778-1 | LINK GUIDE | | 1 | | | | |
| 084 | 233611-8 | TORSION SPRING 7 | | 1 | | | | |
| 085 | 911128-8 | Vijak z nizko cilindrično glavo M4x16 | | 2 | | | | |
| 086 | 346748-3 | GUIDE RAIL | | 1 | | | | |
| 087 | 142406-7 | CRANK HOUSING A COMPLETE | | 1 | | | | |
| 088 | 922359-4 | H.S.H.BOLT M6X35 WITH WG | | 2 | | | | |
| 089 | 454777-3 | BASE A | | 1 | | | | |
| 090 | 911233-1 | Vijak z nizko cilindrično glavo M5x20 | | 3 | | | | |
| 091 | 234320-2 | COMPRESSION SPRING 12 | | 2 | | | | |
| 092 | 126476-4 | TORQUE LIMITER ASSEMBLY | | 1 | | | | |
| D10 | | INC. 93-99 | | | | | | |
| 093 | 227628-1 | SPIRAL BEVEL GEAR 10 | | 1 | | | | |
| 094 | 211323-3 | Kroglični ležaj 6904LLU | | 1 | | | | |
| 095 | 142410-6 | TORQUE LIMITER COMPLETE | | 1 | | | | |
| 096 | 324727-1 | SHOULDER WASHER 8 | | 1 | | | | |
| 097 | 210005-4 | Kroglični ležaj 608DDW 432*serija | | 1 | | | | |
| 098 | 253215-0 | Ploska podložka 8 | | 1 | | | | |
| 099 | 961004-6 | Zaščitni obroč S-8 | | 1 | | | | |
| 100 | 424609-8 | SEAL RING A | | 1 | | | | |
| 101 | 142409-1 | GEAR HOUSING COMPLETE | | 1 | | | | |
| 102 | 922359-4 | H.S.H.BOLT M6X35 WITH WG | | 2 | | | | |
| 103 | 213231-4 | Tesnilo za olje 15 | | 1 | | | | |
| 104 | 326376-0 | CRANK SHAFT | | 1 | * | | | |
| 104-1 | 327142-8 | CRANK SHAFT | < | 1 | | | | |
| 105 | 211418-2 | Kroglični ležaj 6006LLU | | 1 | | | | |
| 106 | 254229-2 | Zagozda 5 | | 2 | | | | |

Model No.HR5212C ROTARY HAMMER 52MM

| Položaj | Številka dela | Opis | Sprememba | Količina | New/Old | Opcijsko 1 | Opcijsko 2 | Opomba |
|---------|---------------|--------------------------------------|-----------|----------|---------|------------|------------|--------|
| 107 | 227788-9 | HELICAL GEAR 46 | | 1 | | | | |
| 108 | 227336-4 | SPUR GEAR 26 | | 1 | | | | |
| 109 | 961102-6 | Zaščitni obroč S-22 | | 1 | | | | |
| 110 | 253843-1 | Ploska kovinska podložka 12 | | 1 | | | | |
| 111 | 331596-3 | Tulec 12 | | 1 | | | | |
| 112 | 211238-4 | Kroglični ležaj 6202LLU | | 1 | | | | |
| 113 | 267215-4 | Ploska podložka 15 | | 1 | | | | |
| 114 | 517898-3 | ARMATURE ASS'Y 220-240V | | 1 | | | | |
| D10 | | INC. 111-113,115,116 | | | | | | |
| 115 | 681642-5 | Izolacijska podložka | | 1 | | | | |
| 116 | 210059-1 | Kroglični ležaj 6000DDW GA9050 | | 1 | | | | |
| 117 | 266568-8 | Pločevinasti vijak 5x80 | | 2 | | | | |
| 118 | 454772-3 | BAFFLE PLATE | | 1 | | | | |
| 119 | 636303-2 | Stator 230-240V | | 1 | | | | |
| 120 | 632B59-7 | BRUSH HOLDER UNIT | | 1 | | | | |
| 121 | 195844-2 | Grafitne ščetke CB-175 | | 1 | | | | |
| 122 | 454780-4 | GUARD 52 | | 1 | | | | |
| 123 | 266041-8 | Samovrezni vijak PT 5X25 5277NB | | 2 | | | | |
| 124 | 454763-4 | GEAR HOUSING COVER | | 1 | | | | |
| 125 | 454757-9 | MOTOR HOUSING | | 1 | | | | |
| 126 | 922359-4 | H.S.H.BOLT M6X35 WITH WG | | 2 | | | | |
| 127 | 240016-5 | Vetrnica 90 | | 1 | | | | |
| 128 | 253165-9 | Ploska kovinska podložka 8 | | 1 | | | | |
| 129 | 252178-7 | Šesterokotna matica M8-12 | | 1 | | | | |
| 130 | 454762-6 | REAR COVER | | 1 | | | | |
| 131 | 266041-8 | Samovrezni vijak PT 5X25 5277NB | | 2 | | | | |
| 132 | 695123-3 | POWER SUPPLY CORD 1.5-2-4.0 | | 1 | | | | |
| 133 | 682560-0 | Uvodnik električnega kabla 10 GA9020 | | 1 | | | | |
| 134 | 265995-6 | Samovrezni vijak 4X18 HP1620 | | 1 | | | | |
| 135 | 419024-9 | CORD CLAMP BASE | | 1 | | | | |
| 136 | 265995-6 | Samovrezni vijak 4X18 HP1620 | | 1 | | | | |
| 137 | 687169-3 | CORD CLAMP HP1620 | | 1 | | | | |
| 138 | 632C15-3 | LEAD UNIT | | 1 | | | | |
| 139 | 266041-8 | Samovrezni vijak PT 5X25 5277NB | | 2 | | | | |
| 140 | 253194-2 | Ploska kovinska podložka 5 | | 2 | | | | |
| 141 | 257813-2 | Tulec 9 HR4013C | | 2 | | | | |
| 142 | 620249-2 | CONTROLLER | | 1 | | | | |
| 143 | 265995-6 | Samovrezni vijak 4X18 HP1620 | | 1 | | | | |

Please order the parts with part number.

Print Date 18/2/2021

Model No.HR5212C ROTARY HAMMER 52MM

| Položaj | Številka dela | Opis | Sprememba | Količina | New/Old | Opcijsko 1 | Opcijsko 2 | Opomba |
|---------|---------------|------------------------------------|-----------|----------|---------|------------|------------|--------|
| 144 | 454346-0 | Leče HR4003C HR4013C | | 1 | | | | |
| 145 | 234281-6 | Tlačna spiralna vzmet 6 HR4003C | | 1 | | | | |
| 146 | 632A83-4 | Stikalo HR4003C HR4013C | | 1 | | | | |
| 147 | 454336-3 | Vzvod stikala C HR4003C HR4013C | | 1 | | | | |
| 148 | 187890-9 | SWITCH CASE SET | | 1 | | | | |
| D10 | | INC. 149 | | | | | | |
| 149 | 187890-9 | SWITCH CASE SET | | 1 | | | | |
| D10 | | INC. 148 | | | | | | |
| 150 | 266041-8 | Samovrezni vijak PT 5X25 5277NB | | 2 | | | | |
| 151 | 815W21-5 | HR5212C NAME PLATE | | 1 | | | | |
| 152 | 234283-2 | Tlačna spiralna vzmet 18.5 HR4013C | | 2 | | | | |
| 153 | 454758-7 | HANDLE BASE | | 1 | | | | |
| 154 | 454343-6 | Podpora prašnega kanala A | | 1 | | | | |
| 155 | 266041-8 | Samovrezni vijak PT 5X25 5277NB | | 2 | | | | |
| 156 | 454344-4 | Podpora prašnega kanala B | | 1 | | | | |
| 157 | 424557-1 | DUST COVER HR4013C | | 1 | | | | |
| 158 | 454759-5 | HANDLE A | | 1 | | | | |
| 159 | 266041-8 | Samovrezni vijak PT 5X25 5277NB | | 4 | | | | |
| 160 | 454332-1 | Vzvod stikala A HR4013C | | 1 | | | | |
| 161 | 234285-8 | Tlačna spiralna vzmet 7 HR4013C | | 1 | | | | |
| 162 | 454327-4 | Vzvod HR4013C | | 1 | | | | |
| 163 | 268309-8 | Zatič 4 HR4013C | | 1 | | | | |
| 164 | 154626-1 | Nosilec stikala kpl. HR4002 | | 1 | | | | |
| 165 | 650678-5 | SWITCH C3PA-1121 HR4013C, HR4003C | | 1 | | | | |
| 166 | 454760-0 | HANDLE COVER | | 1 | | | | |
| 167 | 265995-6 | Samovrezni vijak 4X18 HP1620 | | 1 | | | | |
| 168 | 257994-2 | RETAINING RING(EXT)WR-44 | | 1 | | | | |
| A01 | 135283-4 | Stranski ročaj komplet | | 1 | | | | |
| C10 | 252640-2 | Krilni vijak M8 | | 1 | | | | |
| C20 | 265439-6 | Vijak s šesterokotno glavo M8x15 | | 1 | | | | |
| C30 | 318430-4 | SIDE HANDLE BASE 90A | | 1 | | | | |
| C40 | 318431-2 | SIDE HANDLE BASE 90B | | 1 | | | | |
| C50 | 417002-3 | Stranski roča | | 2 | | | | |
| C60 | 417003-1 | Stranski ročaj sekalnega kladiva | | 1 | | | | |
| C70 | 951166-8 | Vzmetni zatič 5-24 HM1111C | | 1 | | | | |
| A02 | 135629-4 | SIDE GRIP ASSEMBLY | | 1 | | | | |
| C10 | 158131-0 | ROČAJ 36 HR4002 | | 1 | | | | |

Model No.HR5212C ROTARY HAMMER 52MM

| Položaj | Številka dela | Opis | Sprememba | Količina | New/Old | Opcijsko 1 | Opcijsko 2 | Opomba |
|---------|---------------|---------------------------------------|-----------|----------|---------|------------|------------|--------|
| C20 | 234226-4 | COMPRESSION SPRING 6 | | 1 | | | | |
| C30 | 266163-4 | Pravokotni vijak M8x80 | | 1 | | | | |
| C40 | 313223-4 | RACK GUIDE | | 1 | | | | |
| C50 | 344492-6 | PLATE | | 1 | | | | |
| C60 | 346750-6 | GRIP SPRING 90 | | 1 | | | | |
| C70 | 453114-8 | LOCK BUTTON | | 1 | | | | |
| C80 | 454781-2 | SIDE GRIP BASE 90 | | 1 | | | | |
| A03 | 194683-7 | Mast za mazanje svetrov in dlet 100ml | | 1 | * | | | |
| A03-1 | 198993-4 | GREASE VESSEL SET | < | 1 | | | | |
| A04 | 196553-6 | PLASTIC CASE SET | | 1 | | | | |
| C10 | 162271-8 | Zapiralo za plastični kovček | | 2 | | | | |
| C20 | 837860-5 | INNER TRAY | | 1 | | | | |
| C30 | 801Y02-7 | INDICATION LABEL | | 1 | | | | |
| A05 | 804K54-3 | HR5212C PLASTIC CASE LABEL | | 2 | | | | |
| A06 | 331955-1 | DEPTH GAUGE | | 1 | | | | |
| A07 | 443122-7 | Cloth | | 1 | | | | |
| B01 | 191K75-7 | HAMMER SERVICE KIT | | 1 | | | | |
| C10 | 181490-7 | HAMMER GREASE 30G | | 4 | | | | |
| D10 | | INC. 2,33,34,46,49,121 | | | | | | |

Please order the parts with part number.

Print Date 18/2/2021