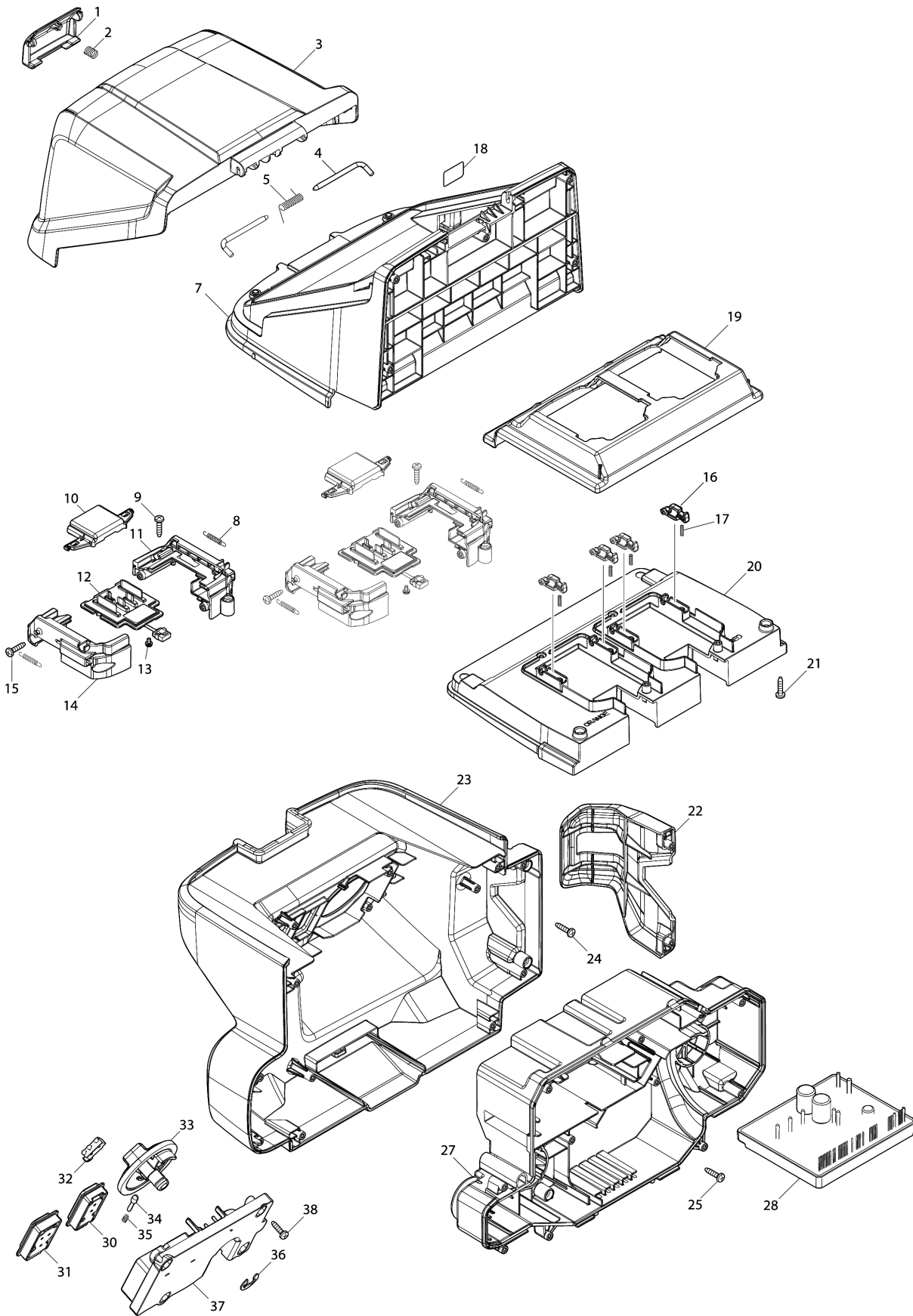
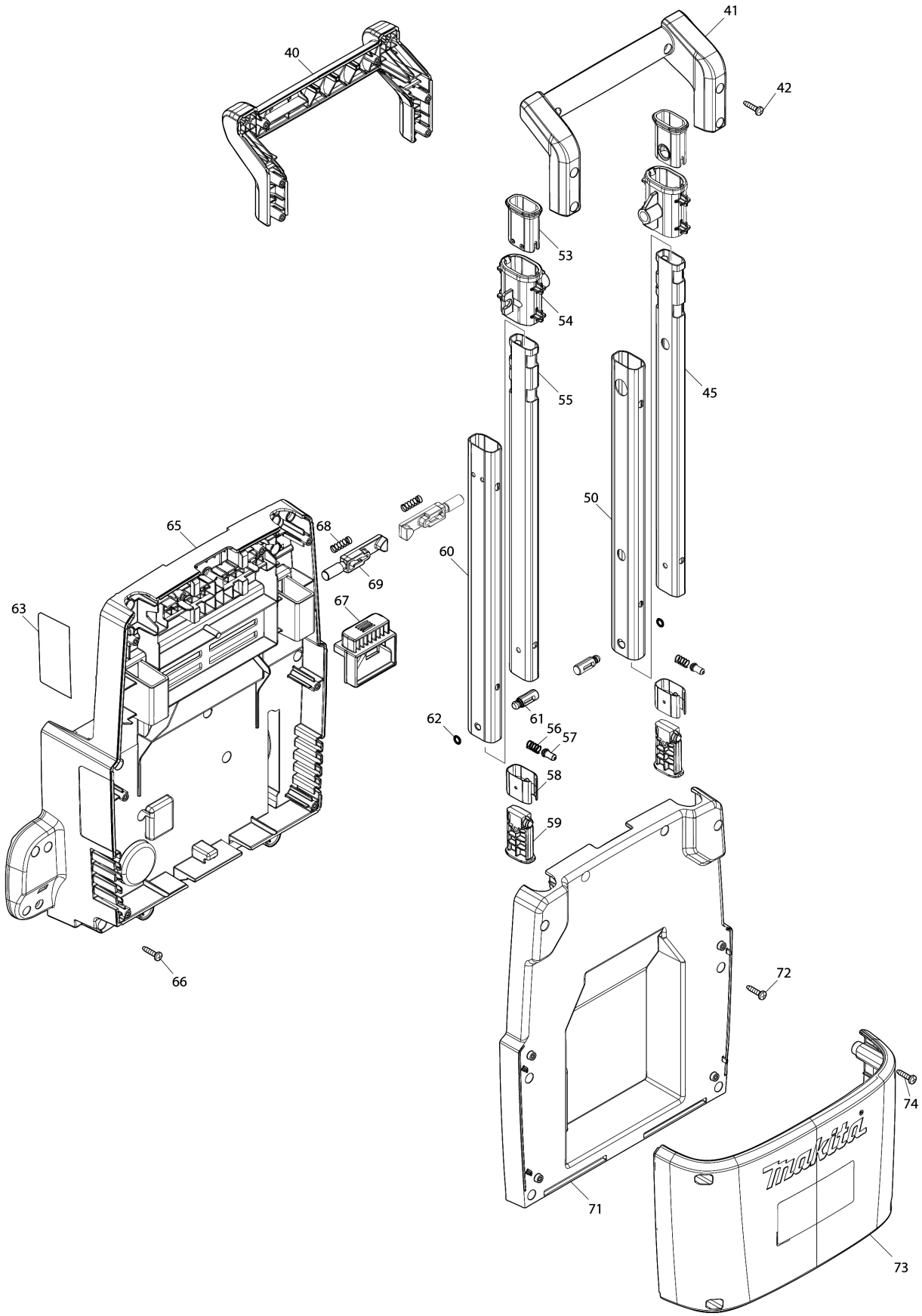


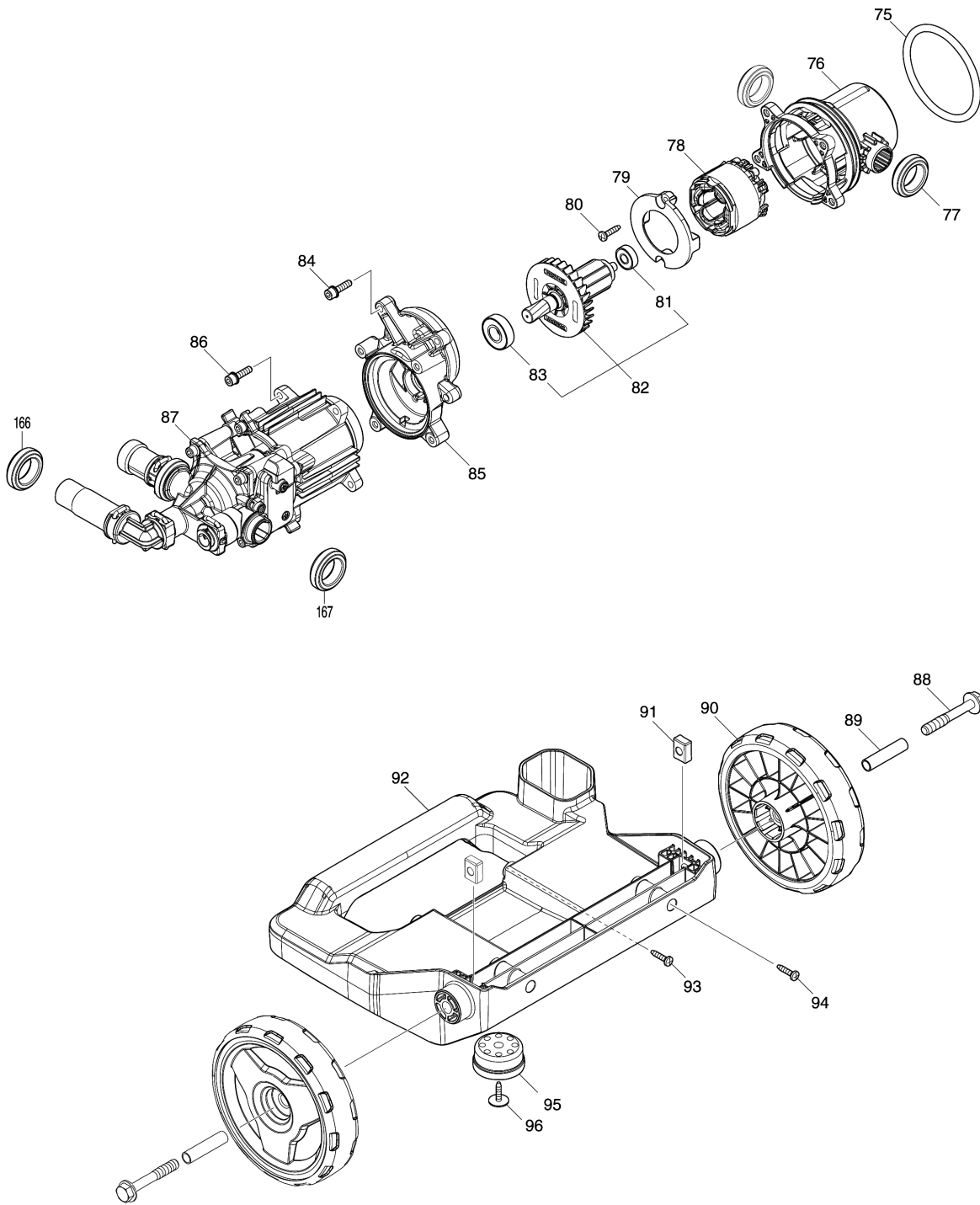
Model No.HW001G CORDLESS HIGH PRESSURE WASHER



Model No.HW001G CORDLESS HIGH PRESSURE WASHER

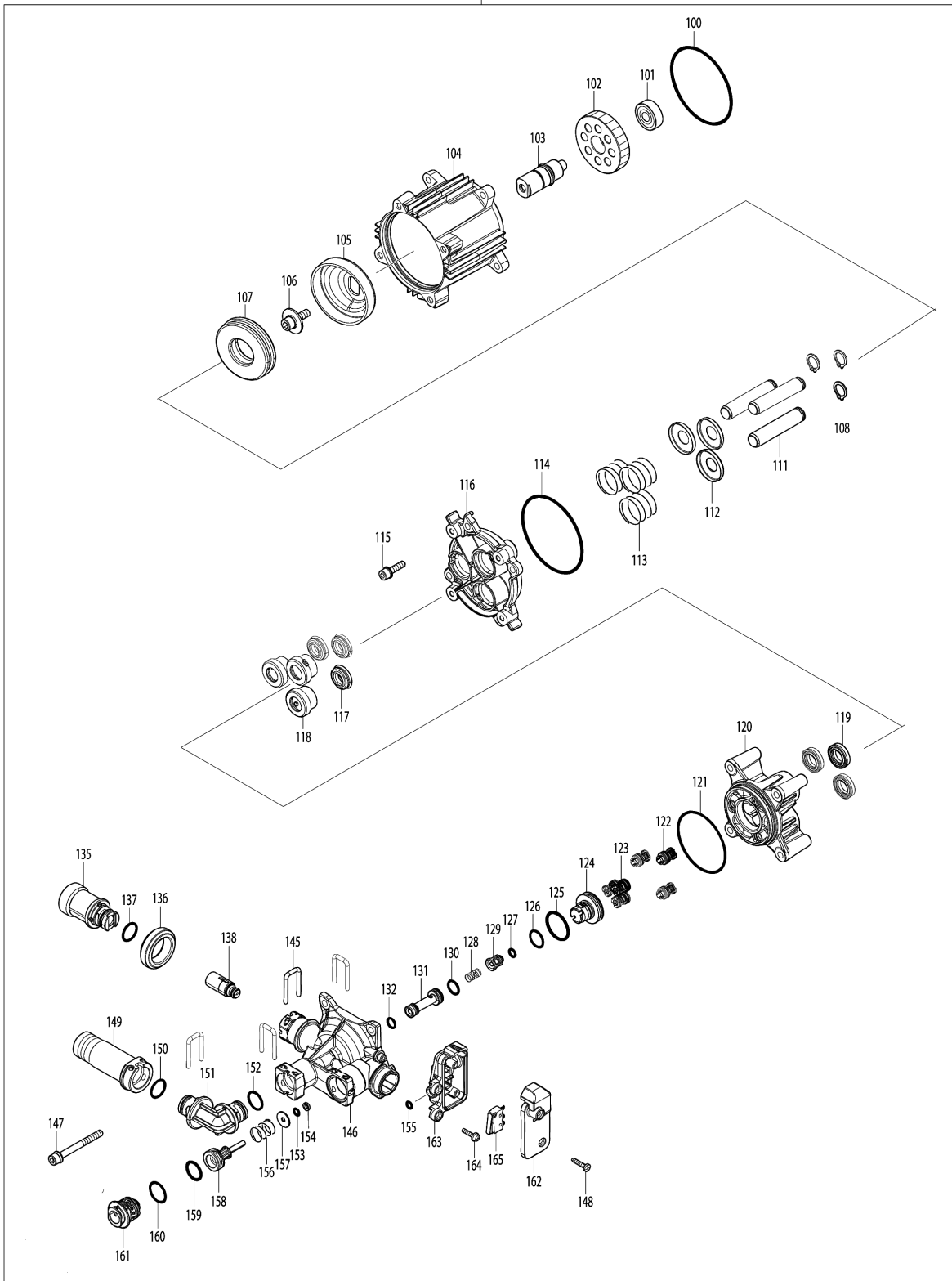


Model No.HW001G CORDLESS HIGH PRESSURE WASHER



Model No.HW001G CORDLESS HIGH PRESSURE WASHER

87



Model No.HW001G CORDLESS HIGH PRESSURE WASHER

Položaj	Številka dela	Opis	Sprememba	Količina	New/Old	Opcijsko 1	Opcijsko 2	Opomba
001	413T26-7	LOCK LEVER		1				
002	232821-4	COMPRESSION SPRING 6		1				
003	413T25-9	BATTERY BOX COVER		1				
004	327C24-2	ROD 4		2				
005	232813-3	TORSION SPRING 5		1				
007	137021-0	BATTERY BOX ASSEMBLY		1				
C10	263005-3	Gumi zatič 6		2				
008	232722-6	TENSION SPRING 4		4				
009	266326-2	Pločevinasti vijak 4x18 UB1103		4				
010	413B40-5	TERMINAL COVER		2				
011	183Y95-9	TERMINAL CASE SET		2				
C10	263005-3	Gumi zatič 6		4				
D10		INC. 14						
012	632T08-2	TERMINAL UNIT		2				
013	652031-1	PAN HEAD SCREW M3X6		4				
014	183Y95-9	TERMINAL CASE SET		2				
C10	263005-3	Gumi zatič 6		4				
D10		INC. 11						
015	266326-2	Pločevinasti vijak 4x18 UB1103		4				
016	413B41-3	LOCK LEVER		4				
017	232472-3	COMPRESSION SPRING 2		4				
018	8141C2-5	HW001G SERIAL NO. LABEL		1				
019	413T33-0	TERMINAL PLATE COVER		1				
020	413T30-6	TERMINAL PLATE		1				
021	266326-2	Pločevinasti vijak 4x18 UB1103		4				
022	413T29-1	ACCESSORY HOLDER S		1				
023	137026-0	FRONT HOUSING ASS'Y		1				
C10	8071J7-1	INDICATION LABEL		1				
C20	8025F3-0	XGT LOGO LABEL		1				
024	266326-2	Pločevinasti vijak 4x18 UB1103		2				
025	266326-2	Pločevinasti vijak 4x18 UB1103		3				
027	137019-7	INNER HOUSING ASSEMBLY		1				
C10	263005-3	Gumi zatič 6		1				
028	620M65-0	CONTROLLER		1				
030	620M67-6	SWITCH CIRCUIT COMPLETE		1				
C10	539267-8	SWITCH PLATE ASS'Y		1				
C20	266490-9	TAPPING SCREW PT 2X6		3				
031	620M68-4	INDICATION CIRCUIT COMPLETE		1				
C10	136981-3	SWITCH PLATE ASS'Y		1				
C20	266490-9	TAPPING SCREW PT 2X6		3				
032	632V07-6	SWITCH UNIT		1				
033	413T27-5	SWITCH DIAL 55		1				

Please order the parts with part number.

Print Date 31/1/2024

Model No.HW001G CORDLESS HIGH PRESSURE WASHER

Položaj	Številka dela	Opis	Sprememba	Količina	New/Old	Opcijsko 1	Opcijsko 2	Opomba
034	413U71-8	SWITCH CAM		1				
035	232819-1	COMPRESSION SPRING 3		1				
036	961016-9	Zaporno tesnilo E-10		1				
037	413T37-2	SWITCH PANEL		1				
038	266326-2	Pločevinasti vijak 4x18 UB1103		4				
040	1830A1-1	GRIP SET		1				
D10		INC. 41						
041	1830A1-1	GRIP SET		1				
D10		INC. 40						
042	266326-2	Pločevinasti vijak 4x18 UB1103		6				
045	327C41-2	UPPER PIPE R		1				
050	327C43-8	LOWER PIPE R		1				
053	413T20-9	UPPER STOPPER		2				
054	413T19-4	PIPE HOLDER		2				
055	327C42-0	UPPER PIPE L		1				
056	232820-6	COMPRESSION SPRING 6		2				
057	327C81-0	LOCK PIN 5		2				
058	413T22-5	UPPER PIPE STOPPER		2				
059	413T21-7	LOWER STOPPER		2				
060	327C44-6	LOWER PIPE L		1				
061	413T38-0	STOPPER PIN		2				
062	213005-3	O RING 5		2				
063	8141C0-9	HW001G NAME PLATE		1				
065	137020-2	REAR HOUSING ASSEMBLY		1				
C10	263005-3	Gumi zatič 6		1				
066	266326-2	Pločevinasti vijak 4x18 UB1103		23				
067	413T18-6	LOCK BOTTON		1				
068	233068-3	COMPRESSION SPRING 6		2				
069	413T34-8	LOCK PIN		2				
071	413T15-2	REAR COVER		1				
072	266326-2	Pločevinasti vijak 4x18 UB1103		8				
073	141T09-4	ACCESSORY HOLDER R COMPLETE		1				
C10	809R02-9	CAUTION LABEL		1				
074	266326-2	Pločevinasti vijak 4x18 UB1103		4				
075	422250-1	RECEIVE RUBBER		1				
076	458326-8	MOTOR HOUSING		1				
077	422409-0	RUBBER CUSHION		2				
078	629C40-3	STATOR		1				
079	458327-6	BAFFLE PLATE		1				
080	266326-2	Pločevinasti vijak 4x18 UB1103		2				
081	210062-2	Kroglični ležaj 607ZZ		1				
082	519830-3	ROTOR ASS'Y		1				

Please order the parts with part number.

Print Date 31/1/2024

Model No.HW001G CORDLESS HIGH PRESSURE WASHER

Položaj	Številka dela	Opis	Sprememba	Količina	New/Old	Opcijsko 1	Opcijsko 2	Opomba
D10		INC. 81,83						
083	211131-2	Kroglični ležaj 6001DDW		1				
084	922233-6	Inbus vijak M5X20 DCS230T		4				
085	161823-2	GEAR HOUSING COMPLETE		1				
C10	263002-9	Gumi zatič 4		2				
086	922233-6	Inbus vijak M5X20 DCS230T		4				
087	122F16-2	PUMP ASSEMBLY		1				
D10		INC.100-138,145-165						
088	265D26-5	HEX. BOLT M8X55 WITH G		2				
089	257A23-7	SLEEVE 8		2				
090	413T32-2	WHEEL 140		2				
091	327C28-4	PLATE		2				
092	413T23-3	BOTTOM PLATE		1				
093	266326-2	Pločevinasti vijak 4x18 UB1103		2				
094	266326-2	Pločevinasti vijak 4x18 UB1103		2				
095	422A59-7	FOOT RUBBER		3				
096	252274-1	TAPPING SCREW 4X18 WITH W		3				
100	213706-3	O Tesnilo 67		1				
101	210032-1	BALL BEARING 628DDW		1				
102	221597-8	HELICAL GEAR 47		1				
103	327076-5	SPINDLE		1				
104	161821-6	PUMP HOUSING COMPLETE		1				
105	347B66-4	WOBBLE PLATE 8.5		1				
106	265D25-7	H.S.H.BOLT M6X20 WITH W		1				
107	210275-5	THRUST BALL BEARING 2454		1				
108	961052-5	Zaščitni obroč S-12		3				
111	327075-7	PISTON PIN 12		3				
112	347340-8	SPRING RETAINER C		3				
113	232434-1	COMPRESSION SPRING 22		3				
114	213706-3	O Tesnilo 67		1				
115	922233-6	Inbus vijak M5X20 DCS230T		4				
116	319670-7	PISTON SYLINDER		1				
117	213861-1	OIL SEAL 12		3				
118	413T06-3	SEAL HOLDER 12		3				
119	422A58-9	PACKING 12		3				
120	312E45-9	PISTON HOUSING		1				
121	213656-2	O Tesnilo 53		1				
122	141S01-4	VALVE COMPLETE B		3				
123	141S00-6	VALVE COMPLETE A		3				
124	413T11-0	VALVE HOLDER		1				
125	213A49-9	O-RING 22		1				
126	213238-0	O-RING 13		1				
127	213005-3	O RING 5		1				

Please order the parts with part number.

Print Date 31/1/2024

Model No.HW001G CORDLESS HIGH PRESSURE WASHER

Položaj	Številka dela	Opis	Sprememba	Količina	New/Old	Opcijsko 1	Opcijsko 2	Opomba
128	232433-3	COMPRESSION SPRING 6		1				
129	458322-6	SPRING RETAINER A		1				
130	213055-8	O Tesnilo 10		1				
131	413T10-2	ADJUST HOLDER		1				
132	213011-8	O Tesnilo 7 LS1216		1				
135	413T05-5	INFLOW JOINT		1				
136	422409-0	RUBBER CUSHION		1				
137	213176-6	O-Tesnilo 14 M442		1				
138	137025-2	RELIEF VALVE ASS'Y		1				
C10	213005-3	O RING 5		1				
145	327C22-6	U TYPE PIN 3		4				
146	312E46-7	PUMP HEAD		1				
147	265A33-0	H.S.H.BOLT M5X50 WITH WR		4				
148	266130-9	Samovrezni vijak PT 3X16 6935FD		2				
149	327C25-0	OUTFLOW JOINT		1				
150	213176-6	O-Tesnilo 14 M442		1				
151	413T12-8	JOINT		1				
152	213176-6	O-Tesnilo 14 M442		1				
153	213A64-3	O-RING 4		1				
154	413T07-1	POLYACETAL WASHER 4B		1				
155	213A64-3	O-RING 4		1				
156	232429-4	COMPRESSION SPRING 11		1				
157	413T08-9	POLYACETAL WASHER 4A		1				
158	413T04-7	PRESSURE PIN		1				
159	213922-7	O-RING 14		1				
160	213223-3	O Tesnilo 16		1				
161	458310-3	PUMP HEAD CAP		1				
162	183Y99-1	SWITCH BOX SET		1				
D10		INC. 163						
163	183Y99-1	SWITCH BOX SET		1				
D10		INC. 162						
164	911028-2	Vijak z nizko cilindrično glavo M3X16 4604D		2				
165	632V08-4	SWITCH UNIT		1				
166	422409-0	RUBBER CUSHION		1				
167	422409-0	RUBBER CUSHION		1				
A01	1910R1-6	HOSE ASSEMBLY SET		1				
A02	1910R2-4	STRAINER ASSEMBLY SET		1				
A03	197842-2	TRIGGER GUN SET		1				
A04	197824-4	CYCLONE JET NOZZLE SET		1				
A05	126766-5	HIGH PRESSURE HOSE 5M		1				
A06	191U84-6	EXTENSION SET		1				
A07	1912Y4-1	VARIOSPRAY NOZZLE SET		1				
A08	122F22-7	ABSORPTION CONNECTOR G3/4		1				

Please order the parts with part number.

Print Date 31/1/2024



Model No.HW001G CORDLESS HIGH PRESSURE WASHER

Položaj	Številka dela	Opis	Sprememba	Količina	New/Old	Opcijsko 1	Opcijsko 2	Opomba
A09	197879-9	CLEANER PIN SET		1				
E01	688163-8	LINE FILTER		1				

Please order the parts with part number.

Print Date 31/1/2024