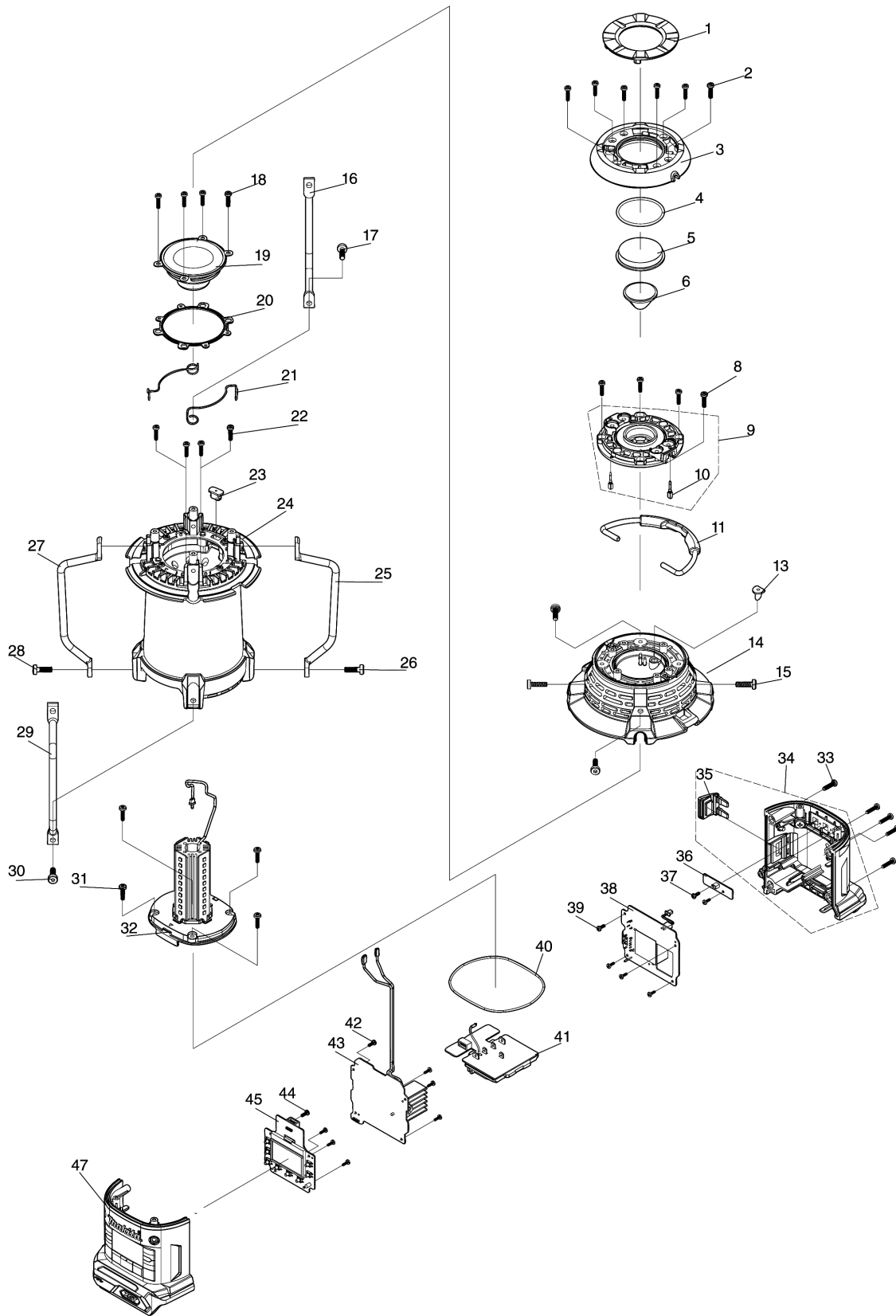


Model No.MR010G CORDLESS RADIO WITH LANTERN



Model No.MR010G CORDLESS RADIO WITH LANTERN

| Položaj | Številka dela | Opis | Sprememba | Količina | New/Old | Opcijsko 1 | Opcijsko 2 | Opomba |
|---------|---------------|-------------------------------|-----------|----------|---------|---------------|---------------|--------|
| 001 | SE00001125 | TOP PANEL | | 1 | | | | |
| 002 | SE00001127 | TAPPING SCREW 3X12(ZK) | | 6 | | | | |
| 003 | SE00001128 | TOP COVER | | 1 | | | | |
| 004 | SE00001129 | O RING D37.8 W2 | | 1 | | | | |
| 005 | SE00001130 | FLASH LIGHT LENS | | 1 | | | | |
| 006 | SE00001131 | LED LENS | | 1 | | | | |
| 008 | SE00001127 | TAPPING SCREW 3X12(ZK) | | 4 | | | | |
| 009 | SE00001133 | LED HOLDER+PCB F ASS'Y | | 1 | | | | |
| D10 | | INC. 10 | | | | | | |
| 010 | SE00001136 | RUBBER PAD A | | 2 | | | | |
| 011 | SE00001137 | HANDLE | | 1 | | | | |
| 013 | SE00001138 | WATERPROOF PLUG A | | 1 | | | | |
| 014 | SE00001139 | TOP CABINET ASS'Y | | 1 | | | | |
| 015 | SE00001140 | HEX SOCKET HEAD BOLT M4X16 | | 4 | | | | |
| 016 | SE00001141 | FIXER BAR | | 1 | | | | |
| 017 | SE00001216 | HEX SOCKET HEAD BOLT M4X13 | | 1 | | | | |
| 018 | SE00001127 | TAPPING SCREW 3X12(ZK) | | 4 | | | | |
| 019 | SE00001143 | SPEAKER | | 1 | * | | | |
| 019-1 | SE00001143 | SPEAKER | O | 1 | | | | |
| 020 | SE00001146 | PACKING | | 1 | | | | |
| 021 | SE00001147 | ANT WIRE | | 2 | | | | |
| 022 | SE00001148 | SCREW STB 3X12(MC) | | 4 | | | | |
| 023 | SE00001149 | WATERPROOF PLUG B | | 1 | | | | |
| 024 | SE00001150 | LAMP COVER ASS'Y | | 1 | | | | |
| 025 | SE00001141 | FIXER BAR | | 1 | | | | |
| 026 | SE00001216 | HEX SOCKET HEAD BOLT M4X13 | | 1 | | | | |
| 027 | SE00001141 | FIXER BAR | | 1 | | | | |
| 028 | SE00001216 | HEX SOCKET HEAD BOLT M4X13 | | 1 | | | | |
| 029 | SE00001141 | FIXER BAR | | 1 | | | | |
| 030 | SE00001216 | HEX SOCKET HEAD BOLT M4X13 | | 1 | | | | |
| 031 | SE00001218 | HEX SOCKET HEAD BOLT 3X12 | | 4 | | | | |
| 032 | SE00001221 | PCB D+E ASSY | | 1 | | | | |
| 033 | SE00001127 | TAPPING SCREW 3X12(ZK) | | 5 | | | | |
| 034 | SE00001222 | REAR BOTTOM CABINET ASS'Y | | 1 | | | | |
| D10 | | INC. 35 | | | | | | |
| 035 | SE00001158 | USB RUBBER COVER | | 1 | | | | |
| 036 | SE00001159 | PCB K ASS'Y | | 1 | | | | |
| 037 | SE00001160 | TAPPING SCREW 2X6 | | 2 | | | | |
| 038 | SE00001161 | PCB H ASS'Y (USB JACK) | | 1 | | | | |

Please order the parts with part number.

Print Date 22/6/2023

Model No.MR010G CORDLESS RADIO WITH LANTERN

| Položaj | Številka dela | Opis | Sprememba | Količina | New/Old | Opcijsko 1 | Opcijsko 2 | Opomba |
|---------|---------------|-----------------------------------|-----------|----------|---------|---------------|---------------|--------|
| 039 | SE00001160 | TAPPING SCREW 2X6 | | 4 | | | | |
| 040 | SE00001163 | BOTTOM CABINET PACKING D1.5xL2 | | 1 | | | | |
| 041 | SE00001164 | PCB P+TERMINAL ASSY | | 1 | | | | |
| 042 | SE00001160 | TAPPING SCREW 2X6 | | 4 | | | | |
| 043 | SE00001227 | PCB A ASS'Y | | 1 | | | | |
| 044 | SE00001160 | TAPPING SCREW 2X6 | | 4 | | | | |
| 045 | SE00001229 | PCB C ASS'Y(CE) | | 1 | | | | |
| 047 | SE00001235 | FRONT BOTTOM CABINET ASS'Y | | 1 | | | | |
| A01 | SE00001178 | STRAP WITH HOOK | | 1 | | | | |

Please order the parts with part number.

Print Date 22/6/2023