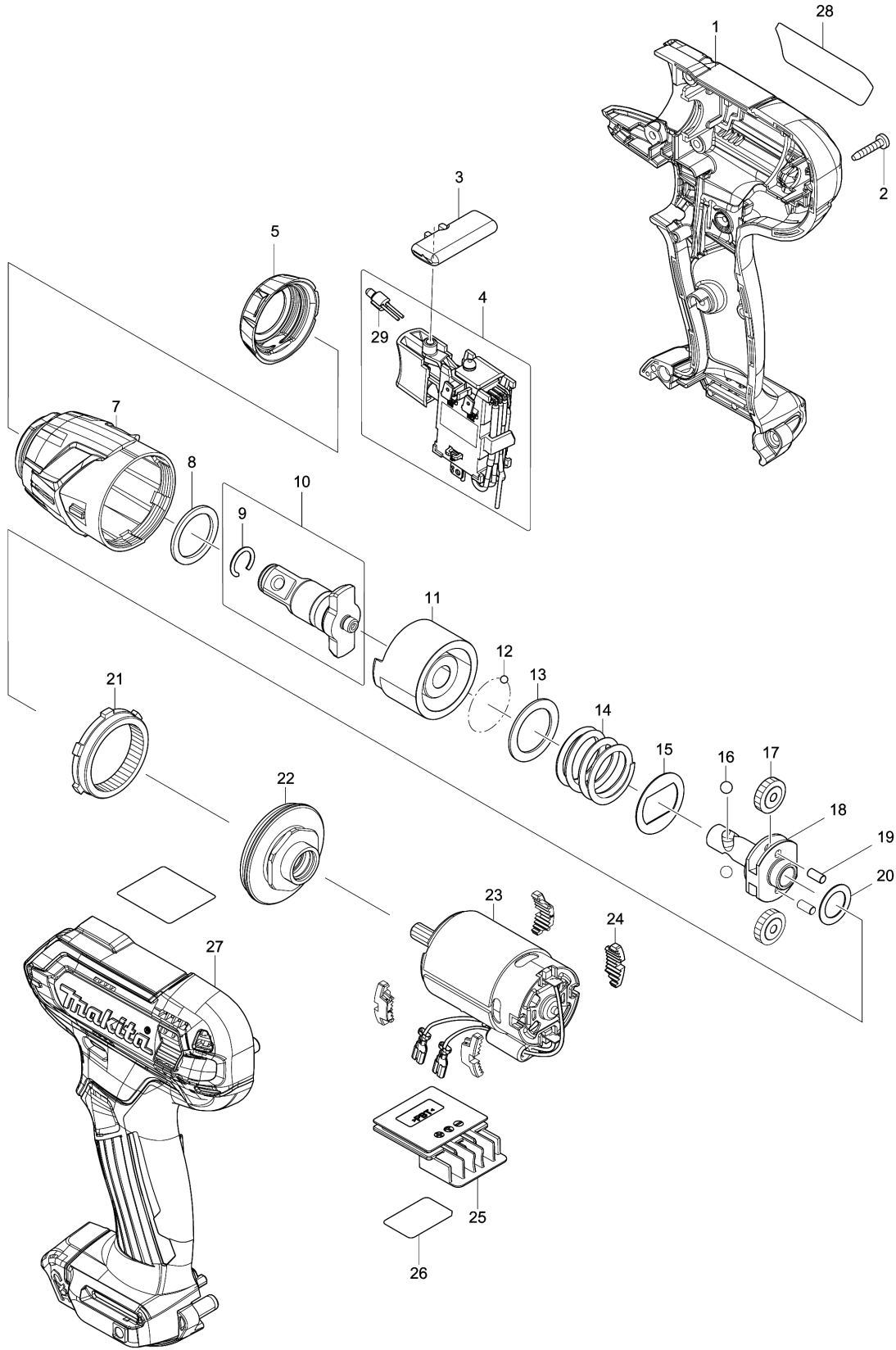


Model No.TW141D CORDLESS IMPACT WRENCH



Model No.TW141D CORDLESS IMPACT WRENCH

| Položaj | Številka dela | Opis | Sprememba | Količina | New/Old | Opcijsko 1 | Opcijsko 2 | Opomba |
|---------|---------------|---------------------------------------|-----------|----------|---------|------------|------------|--------|
| 001 | 183J75-5 | HOUSING SET | | 1 | | | | |
| C10 | 252126-6 | Šesterokotna matica M4-7 MT070 | | 2 | | | | |
| D10 | | INC. 27 | | | | | | |
| 002 | 266429-2 | Samovrezni vijak 3x16 | | 8 | | | | |
| 003 | 456039-5 | F/R CHANGE LEVER | | 1 | | | | |
| 004 | 632M05-6 | SWITCH UNIT | | 1 | | | | |
| C10 | 688165-4 | Linijski filter za enosmerno napetost | | 1 | | | | |
| D10 | | INC. 29 | | | | | | |
| 005 | 422407-4 | BUMPER | | 1 | | | | |
| 007 | 140D36-2 | HAMMER CASE COMPLETE | | 1 | | | | |
| C10 | 213882-3 | O-RING 16 | | 1 | | | | |
| 008 | 261140-1 | Najlon podložka 20 | | 1 | | | | |
| 009 | 231907-1 | Vzmetna podložka 10 | | 1 | | | | |
| 010 | 136030-6 | ANVIL E ASSY | | 1 | | | | |
| D10 | | INC. 9 | | | | | | |
| 011 | 327334-9 | HAMMER | | 1 | | | | |
| 012 | 216019-1 | Kovinska kroglica 3 | | 24 | | | | |
| 013 | 267380-9 | Ploska kovinska podložka 20 TD090D | | 1 | | | | |
| 014 | 232517-7 | COMPRESSION SPRING 21 | | 1 | | | | |
| 015 | 267813-4 | Podložka 21 | | 1 | | | | |
| 016 | 216002-8 | Kovinska kroglica 4.8 | | 2 | | | | |
| 017 | 226190-3 | SPUR GEAR 18 | | 2 | | | | |
| 018 | 327127-4 | SPINDLE | | 1 | | | | |
| 019 | 268217-3 | Zatič 3.5 | | 2 | | | | |
| 020 | 253052-2 | Ploska podložka 12 | | 1 | | | | |
| 021 | 226191-1 | INTERNAL GEAR 45 | | 1 | * | | | |
| 021-1 | 226957-9 | INTERNAL GEAR 45 | S | 1 | | | | |
| 022 | 140B04-3 | BEARING BOX COMPLETE | | 1 | * | | | |
| C10 | 213188-9 | O Tesnilo 13 TD090D | | 1 | * | | | |
| 022-1 | 140P27-5 | BEARING BOX COMPLETE | S | 1 | | | | |
| C10 | 213188-9 | O Tesnilo 13 TD090D | | 1 | | | | |
| 023 | 632L97-9 | MOTOR COMPLETE | | 1 | | | | |
| C10 | 688172-7 | LINE FILTER | | 1 | | | | |
| 024 | 422273-9 | CUSHION | | 4 | | | | |
| 025 | 644813-5 | TERMINAL | | 1 | | | | |
| 026 | 855S57-8 | TW141D SERIAL NO. LABEL | | 1 | | | | |
| 027 | 183J75-5 | HOUSING SET | | 1 | | | | |
| C10 | 252126-6 | Šesterokotna matica M4-7 MT070 | | 2 | | | | |
| D10 | | INC. 1 | | | | | | |
| 028 | 855S50-2 | TW141D NAME PLATE | | 1 | | | | |

Model No.TW141D CORDLESS IMPACT WRENCH

| Položaj | Številka dela | Opis | Sprememba | Količina | New/Old | Opcijsko 1 | Opcijsko 2 | Opomba |
|---------|---------------|------------------------------------|-----------|----------|---------|------------|------------|--------|
| 029 | 620625-0 | LED CIRCUIT | | 1 | | | | |
| 031 | 213458-6 | O Tesnilo 34 | S | 1 | | | | |
| A01 | 266622-8 | Vijak z nizko cilindrično M4X12 | | 1 | | | | |
| A02 | 346909-5 | HOOK | | 1 | | | | |
| A03B | 821661-1 | PLASTIC CARRYING CASE | | 1 | | | | |
| C10 | 417724-5 | Zaponka | | 2 | | | | |
| A03C | 821661-1 | PLASTIC CARRYING CASE | | 1 | | | | |
| C10 | 417724-5 | Zaponka | | 2 | | | | |
| A03D | 821661-1 | PLASTIC CARRYING CASE | | 1 | | | | |
| C10 | 417724-5 | Zaponka | | 2 | | | | |
| A04B | ***DC10WD | DC10WD BATTERY CHARGER | | 1 | | | | |
| D10 | | COMPO-PARTS | | | | | | |
| A04C | ***DC10SB | DC10SB BATTERY CHARGER | | 1 | | | | |
| D10 | | COMPO-PARTS | | | | | | |
| A04D | ***DC10WD | DC10WD BATTERY CHARGER | | 1 | | | | |
| D10 | | COMPO-PARTS | | | | | | |
| A05B | 197396-9 | BATTERY BL1021B SET | | 2 | * | | | |
| A05C | 197406-2 | BATTERY BL1041B SET | | 2 | * | | | |
| A05D | 197406-2 | BATTERY BL1041B SET | | 2 | * | | | |
| A05-1B | 197396-9 | BATTERY BL1021B SET | O | 2 | | | | |
| A05-1C | 197406-2 | BATTERY BL1041B SET | O | 2 | | | | |
| A05-1D | 197406-2 | BATTERY BL1041B SET | O | 2 | | | | |
| A06B | 456128-6 | BATTERY COVER | | 1 | | | | |
| A06C | 456128-6 | BATTERY COVER | | 1 | | | | |
| A06D | 456128-6 | BATTERY COVER | | 1 | | | | |

Please order the parts with part number.

Print Date 26/1/2021