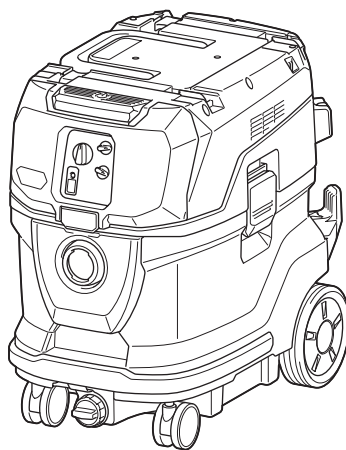




EN	Cordless Vacuum Cleaner	INSTRUCTION MANUAL	10
SL	Brezžični sesalnik za prah	NAVODILA ZA UPORABO	25
SQ	Fshesë me korrent pa kordon	MANUALI I PËRDORIMIT	40
BG	Акумулаторна прахосмукачка	РЪКОВОДСТВО ЗА ЕКСПЛОАТАЦИЯ	55
HR	Bežični usisavač	PRIRUČNIK S UPUTAMA	73
MK	Безжична правосмукалка	УПАТСТВО ЗА УПОТРЕБА	88
SR	Бежични усисивач	УПУТСТВО ЗА УПОТРЕБУ	105
RO	Aspirator fără cablu	MANUAL DE INSTRUCȚIUNI	121
UK	Акумуляторний пилосос	ІНСТРУКЦІЯ З ЕКСПЛУАТАЦІЇ	137
RU	Аккумуляторный Пылесос	РУКОВОДСТВО ПО ЭКСПЛУАТАЦИИ	154

VC006GM



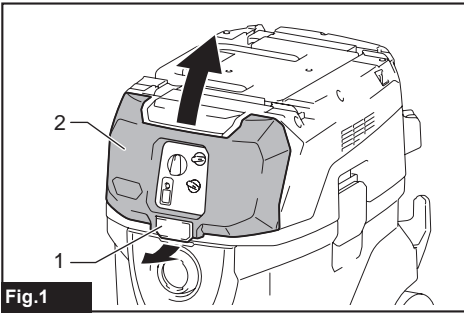


Fig.1

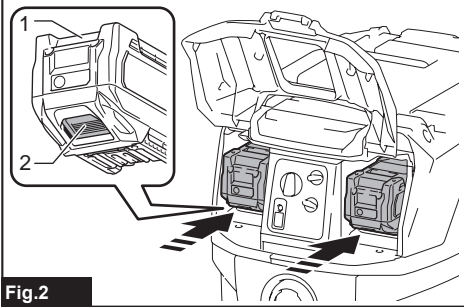


Fig.2

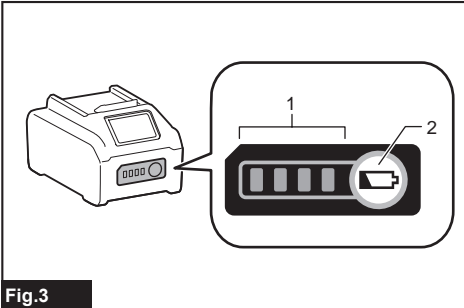


Fig.3

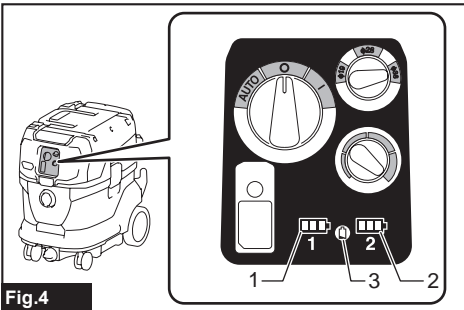


Fig.4

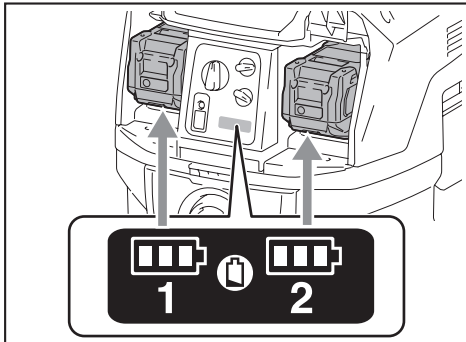


Fig.5

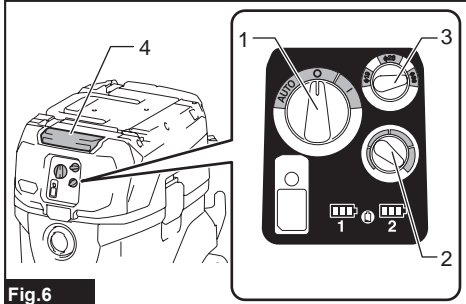


Fig.6

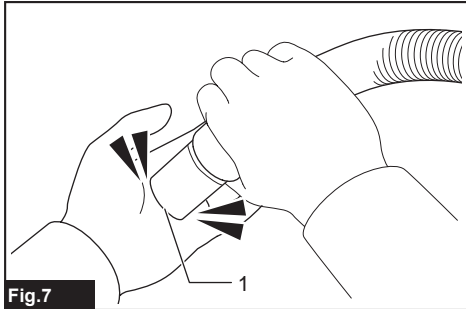


Fig.7

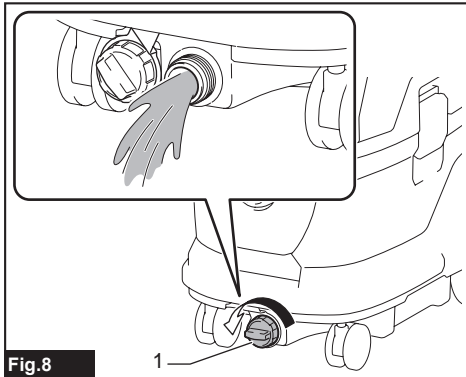
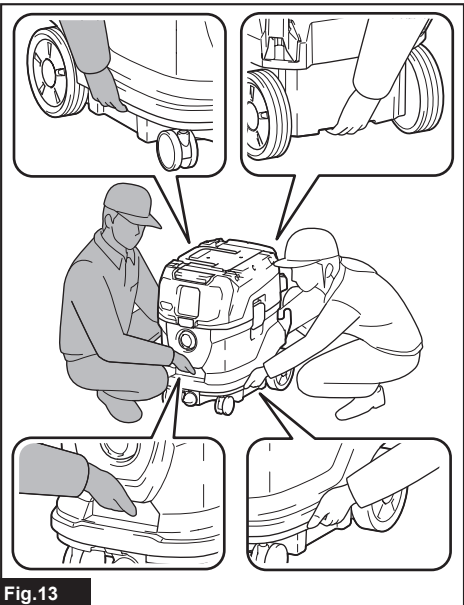
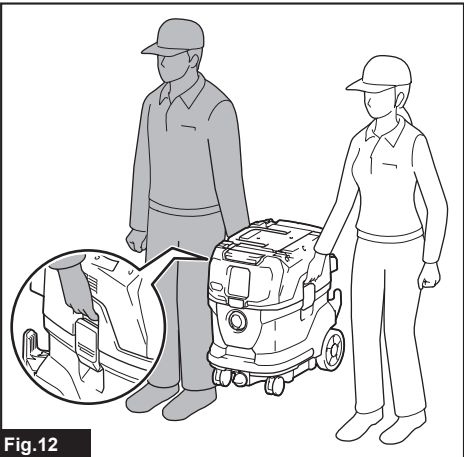
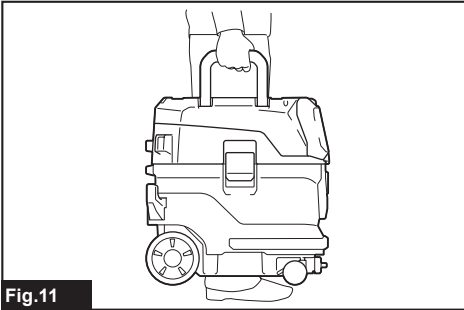
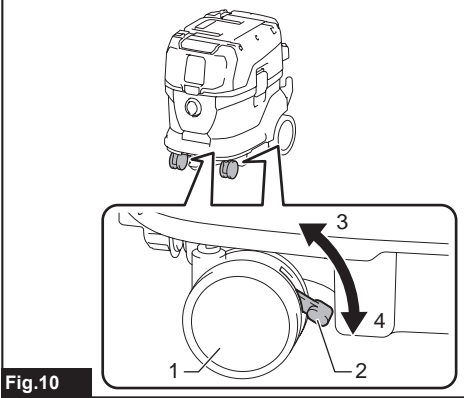
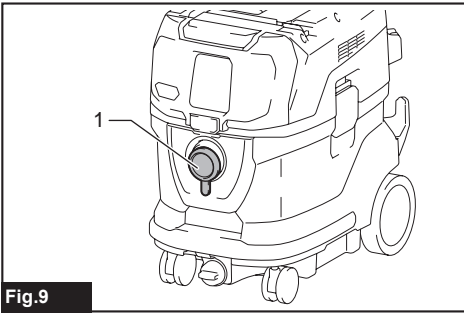


Fig.8



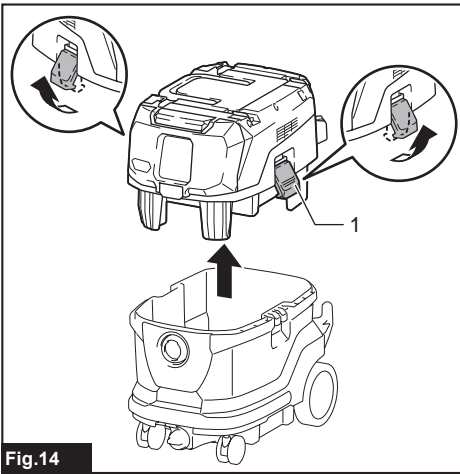


Fig. 14

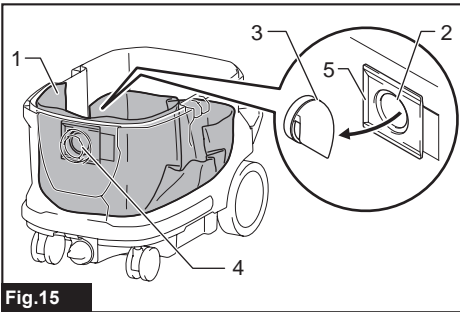


Fig. 15

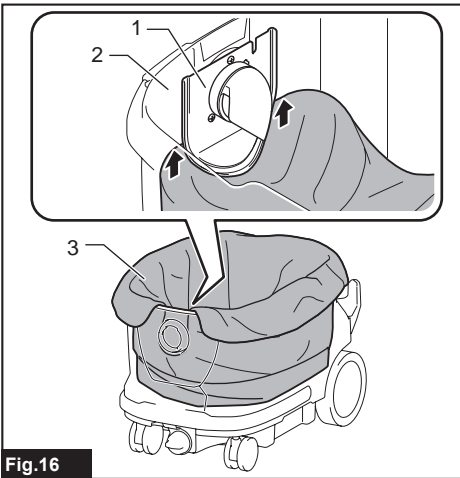


Fig. 16

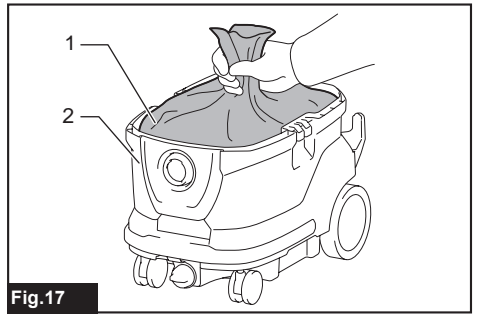


Fig. 17

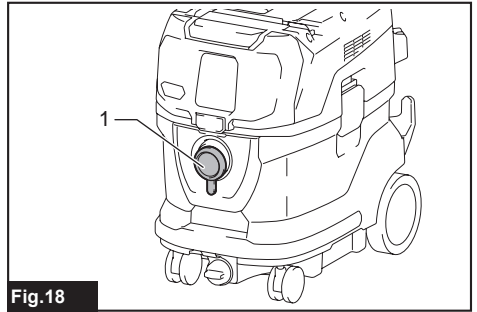


Fig. 18

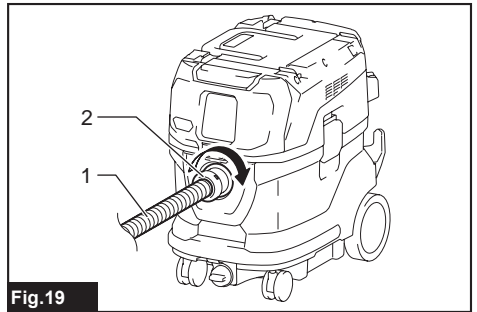


Fig. 19

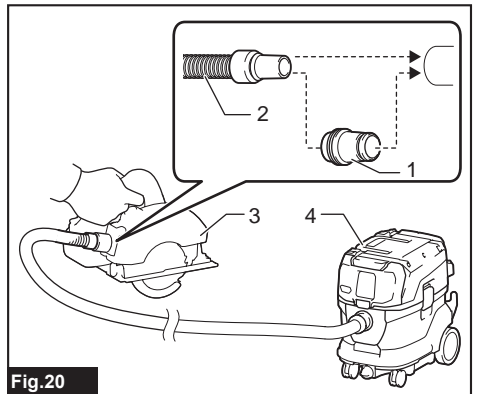


Fig. 20

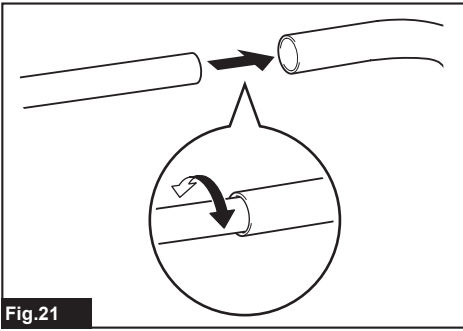


Fig. 21

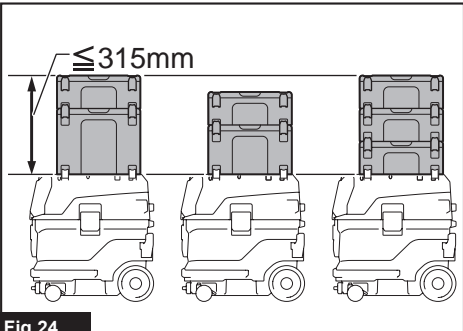


Fig. 24

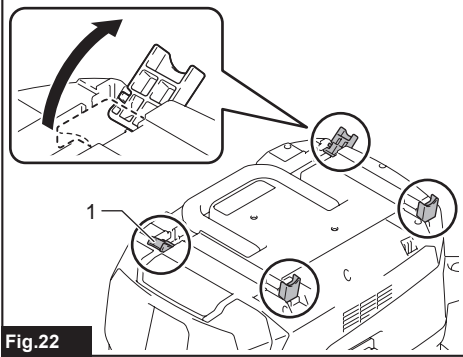


Fig. 22

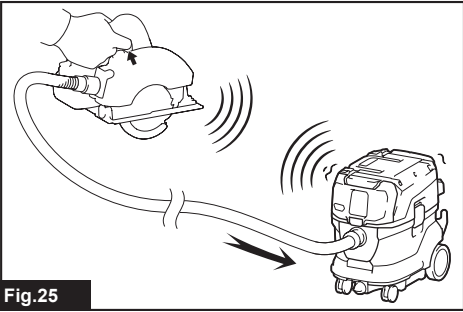


Fig. 25

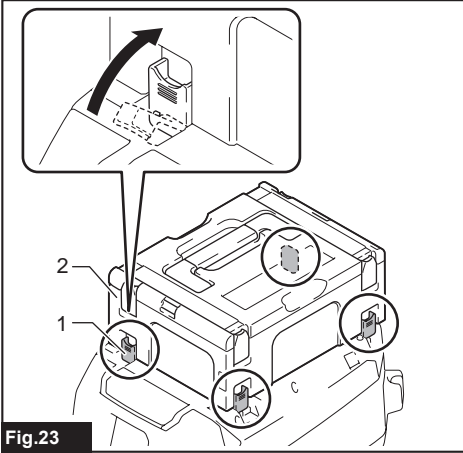


Fig. 23

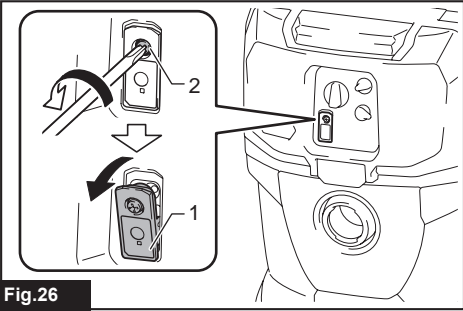


Fig. 26

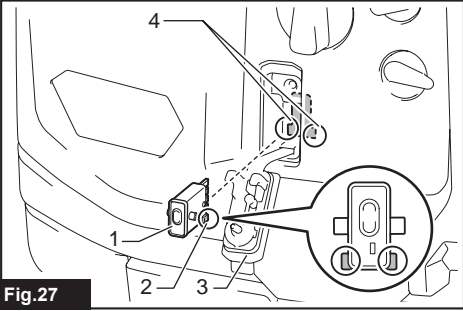
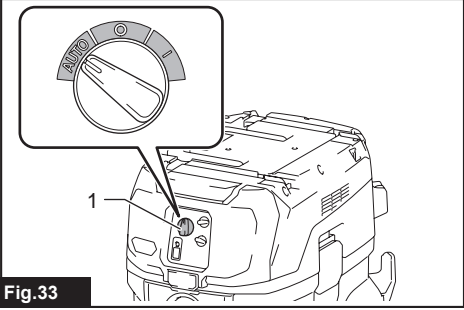
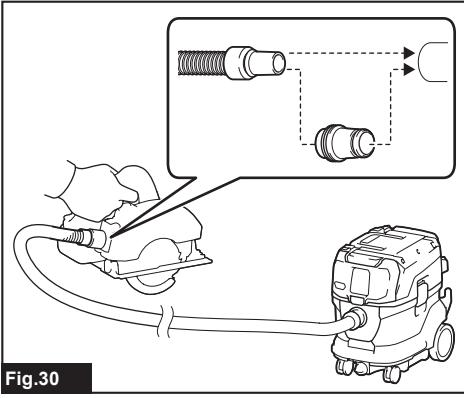
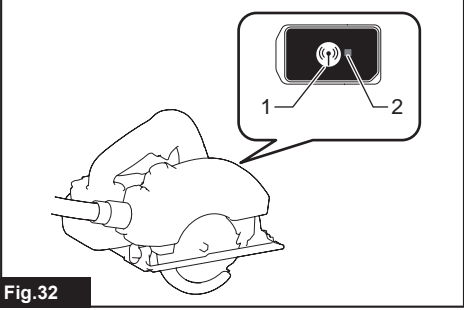
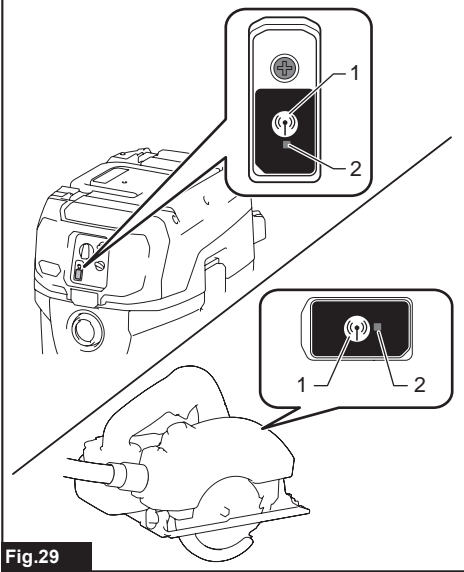
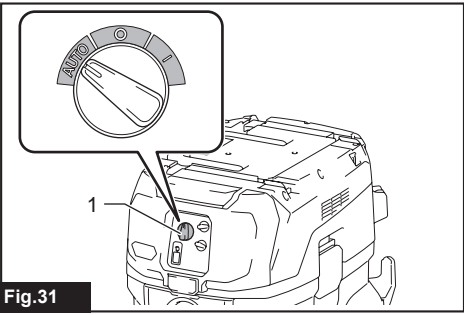
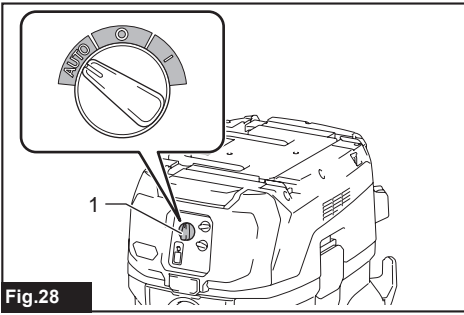


Fig. 27



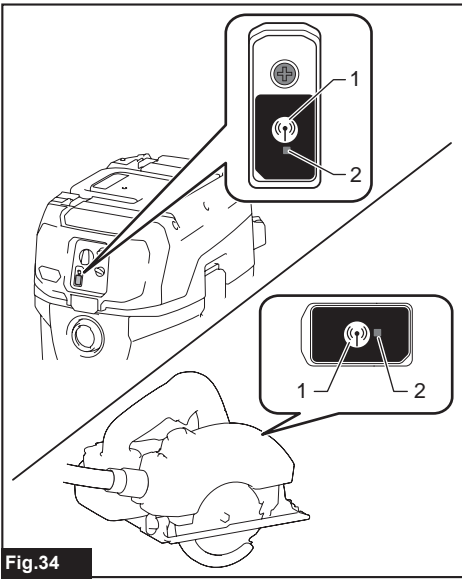


Fig.34

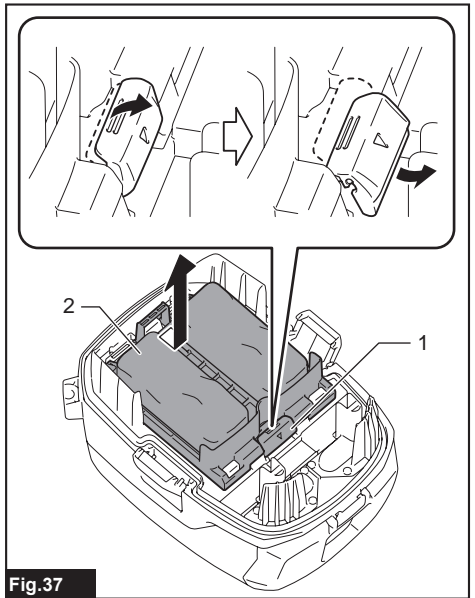


Fig.37

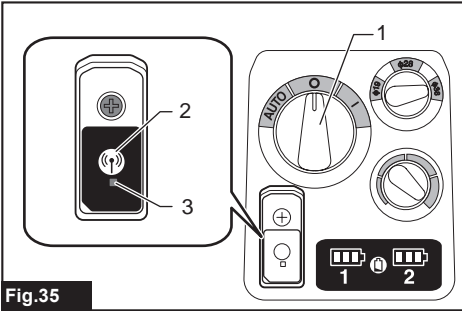


Fig.35

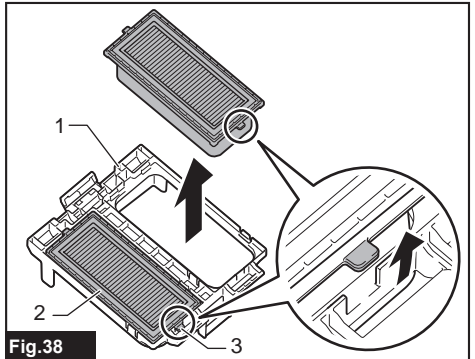


Fig.38

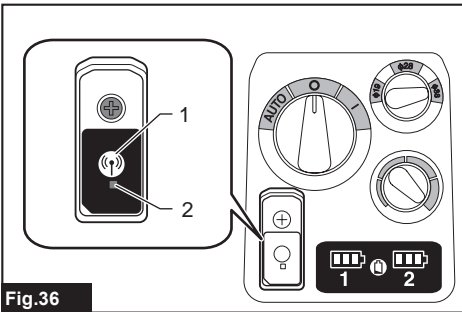


Fig.36

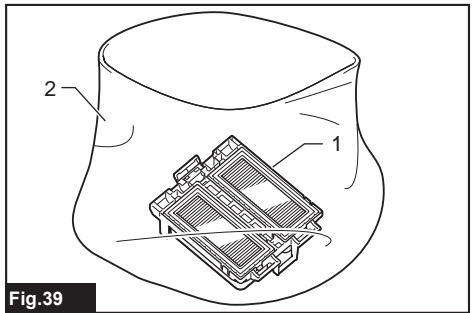
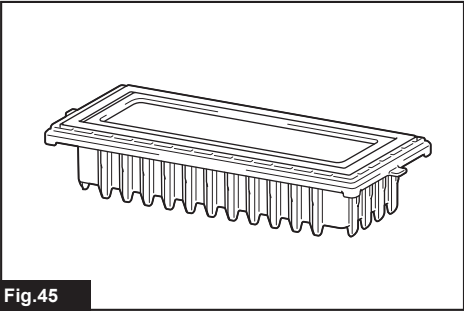
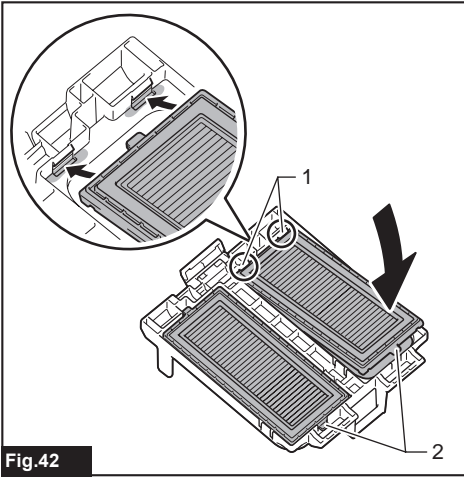
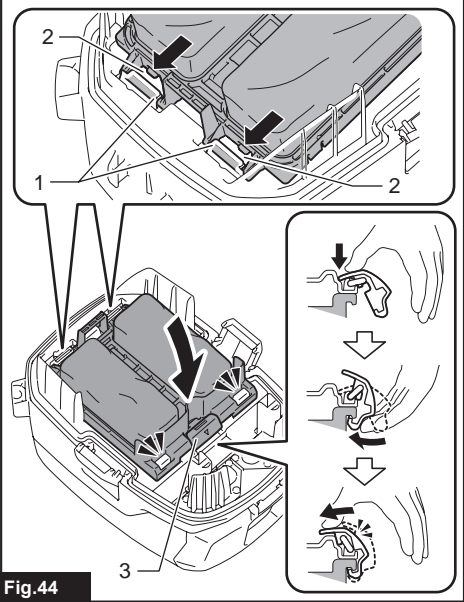
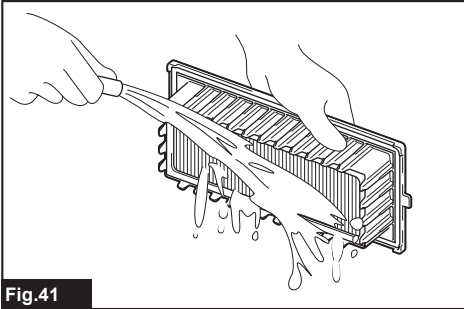
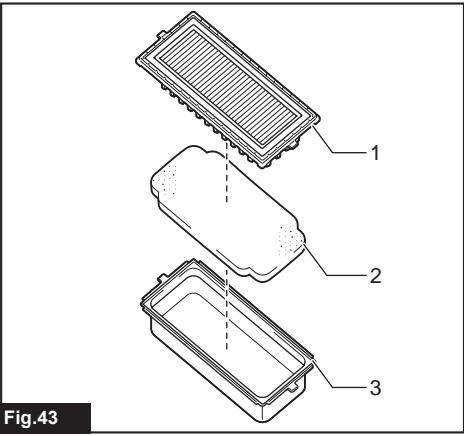
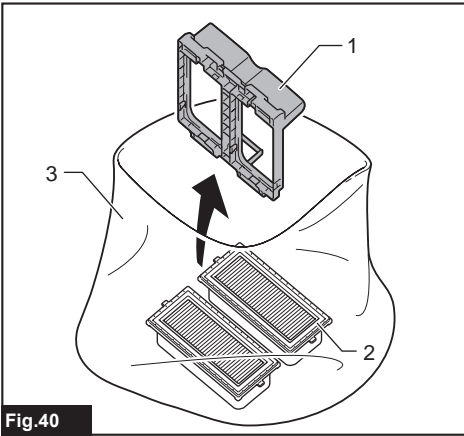


Fig.39



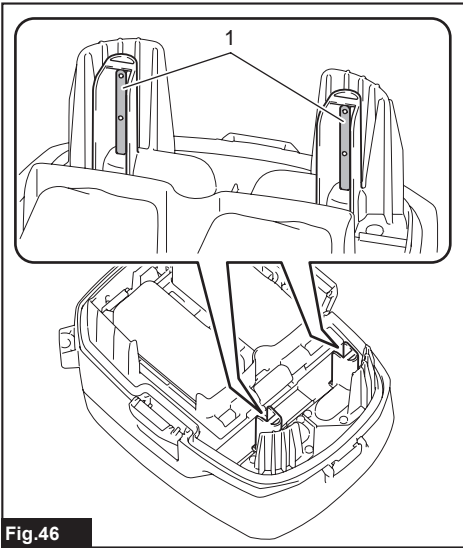


Fig.46

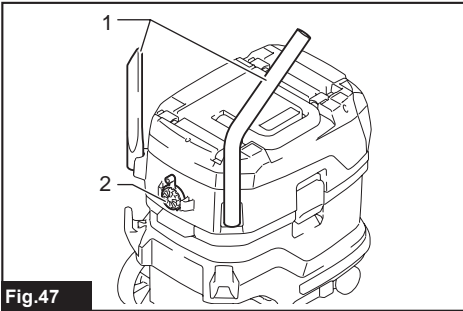


Fig.47

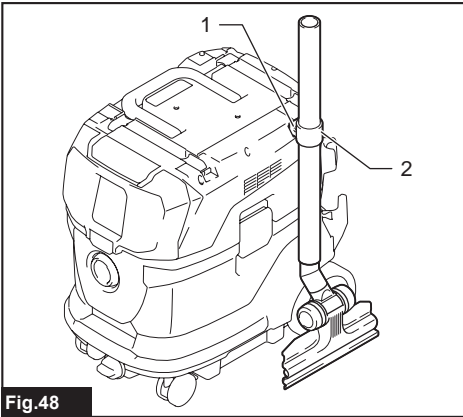


Fig.48

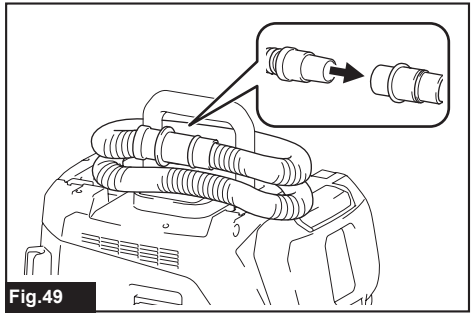


Fig.49

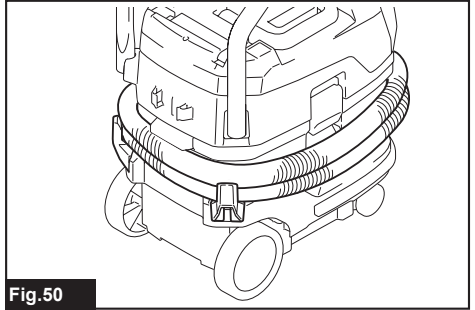


Fig.50

WARNING

- This machine is not intended for use by persons including children with reduced physical, sensory or mental capabilities, or lack of experience and knowledge.
- Children should be supervised to ensure that they do not play with the cleaner.
- See the chapter "SPECIFICATIONS" for the type reference of the battery.
- See the section "Installing or removing battery cartridge" for how to remove or install the battery.
- When disposing the battery cartridge, remove it from the tool and dispose of it in a safe place. Follow your local regulations relating to disposal of battery.
- If the tool is not used for a long period of time, the battery must be removed from the tool.
- Do not short the battery cartridge.
- See the chapter "MAINTENANCE" for the appropriate details of precautions during user maintenance.

SPECIFICATIONS

Model:		VC006GM
Maximum air volume at the end of hose	With BL4050F, ø28 mm x3.5 m hose	2.0 m ³ /min
	With BL4050F, ø38 mm x 2.5 m hose	3.7 m ³ /min
Maximum air volume at turbine (with BL4050F)		4.9 m ³ /min
Vacuum (with BL4050F)		18 kPa
Recoverable capacity	Dust	40 L
	Water	30 L
Dimensions (L x W x H)		586 mm x 385 mm x 598 mm
Rated voltage		D.C. 72 V - 80 V max
Net weight		18.4 - 20.8 kg
Protection degree		IPX4

- Due to our continuing program of research and development, the specifications herein are subject to change without notice.
- Specifications may differ from country to country.
- The weight does not include accessories but battery cartridge(s). The lightest and heaviest combinations weight of the appliance and battery cartridge(s) are shown in the table.

Applicable battery cartridge and charger








Battery cartridge	BL4020 / BL4025 / BL4040* / BL4050F* / BL4080F* *: Recommended battery
Charger	DC40RA / DC40RB / DC40RC

- Some of the battery cartridges and chargers listed above may not be available depending on your region of residence.

⚠ WARNING: Only use the battery cartridges and chargers listed above. Use of any other battery cartridges and chargers may cause injury and/or fire.

Symbols

The followings show the symbols which may be used for the equipment. Be sure that you understand their meaning before use.

	Read instruction manual.
	Take particular care and attention.
	Warning! The cleaner may contain hazardous dust.
	Never stand on the cleaner.
	Never put anything heavier than 20 kg (44 lbs) on the cleaner.
	Dust class M (medium): for separating dust with a limit value of occupational exposure not less than 0.1 mg/m ³ . The cleaners are capable of picking up dust class L and M. Follow your country's regulations relating to dusts and to occupational health and safety.
	Only for EU countries Due to the presence of hazardous components in the equipment, waste electrical and electronic equipment, accumulators and batteries may have a negative impact on the environment and human health. Do not dispose of electrical and electronic appliances or batteries with household waste! In accordance with the European Directive on waste electrical and electronic equipment and on accumulators and batteries and waste accumulators and batteries, as well as their adaptation to national law, waste electrical equipment, batteries and accumulators should be stored separately and delivered to a separate collection point for municipal waste, operating in accordance with the regulations on environmental protection. This is indicated by the symbol of the crossed-out wheeled bin placed on the equipment.

Intended use

The appliance is intended for collecting both wet and dry dust. The appliance is suitable for commercial use, for example in hotels, schools, hospitals, factories, shops, offices and rental businesses.

Noise

The typical A-weighted noise level determined according to EN60335-2-69:

Sound pressure level (L_{pA}) : 70 dB(A) or less
Uncertainty (K) : 2.5 dB (A)

The noise level under working may exceed 80 dB (A).

NOTE: The declared noise emission value(s) has been measured in accordance with a standard test method and may be used for comparing one tool with another.

NOTE: The declared noise emission value(s) may also be used in a preliminary assessment of exposure.

⚠ WARNING: Wear ear protection.

⚠ WARNING: The noise emission during actual use of the power tool can differ from the declared value(s) depending on the ways in which the tool is used especially what kind of workpiece is processed.

⚠ WARNING: Be sure to identify safety measures to protect the operator that are based on an estimation of exposure in the actual conditions of use (taking account of all parts of the operating cycle such as the times when the tool is switched off and when it is running idle in addition to the trigger time).

Vibration

The vibration total value (tri-axial vector sum) determined according to EN60335-2-69:
Vibration emission ($a_{h,M}$) : 2.5 m/s² or less
Uncertainty (K) : 1.5 m/s²

NOTE: The declared vibration total value(s) has been measured in accordance with a standard test method and may be used for comparing one tool with another.

NOTE: The declared vibration total value(s) may also be used in a preliminary assessment of exposure.

⚠ WARNING: The vibration emission during actual use of the power tool can differ from the declared value(s) depending on the ways in which the tool is used especially what kind of workpiece is processed.

⚠ WARNING: Be sure to identify safety measures to protect the operator that are based on an estimation of exposure in the actual conditions of use (taking account of all parts of the operating cycle such as the times when the tool is switched off and when it is running idle in addition to the trigger time).

EC Declaration of Conformity

For European countries only

The EC declaration of conformity is included as Annex A to this instruction manual.

SAFETY WARNINGS

Cordless vacuum cleaner safety warnings

⚠ WARNING: IMPORTANT! READ CAREFULLY all safety warnings and all instructions BEFORE USE. Failure to follow the warnings and instructions may result in electric shock, fire and/or serious injury.

1. Before use, make sure that this cleaner must be used by people who have been adequately instructed on the use of this cleaner.

2. Before use, operators shall be provided with information, instruction and training for the use of the machine and the substances for which it is to be used, including the safe method of removal and disposal of the material collected.
3. If foam/liquid comes out, switch off immediately.
4. Clean the water level limiting device regularly and examine it for signs of damage.
5. Always make sure that filters are correctly installed before use. Do not use the cleaner without filters in place. Replace a damaged filter immediately. It is recommended to have some spares as filters are consumable items.
6. **AVOID UNINTENTIONAL STARTING.** Be sure switch is OFF when installing battery(ies).
7. Do not attempt to pick up flammable materials, fireworks, lighted cigarettes, hot ashes, hot metal chips, and sharp materials such as razors, needles, broken glass or the like.
8. **NEVER USE THE CLEANER IN THE VICINITY OF GASOLINE, GAS, PAINT, ADHESIVES OR OTHER HIGHLY EXPLOSIVE SUBSTANCES.** The switch emits sparks when turned ON and OFF. And so does the motor commutator during operation. A dangerous explosion may result.
9. Never vacuum up toxic, carcinogenic, combustible or other hazardous materials such as asbestos, arsenic, barium, beryllium, lead, pesticides, or other health endangering materials.
10. Always place the cleaner on a horizontal flat surface to prevent it from falling or moving unintentionally.
11. Never use the cleaner outdoors in the rain.
12. For Finland, this machine is not to be used outdoors at low temperature.
13. Do not use close to heat sources (stoves, etc.).
14. If the exhaust air is returned to the room, it is necessary to provide for an adequate air change rate in the room. Reference to National regulations is necessary.
15. Do not block suction inlet/outlet/cooling vents. These vents permit cooling of the motor. Blockage should be carefully avoided otherwise the motor will burn out due to a lack of ventilation.
16. Keep proper footing and balance at all times.
17. Do not fold, tug or step on the hose.
18. Stop the cleaner immediately if you notice poor performance or anything abnormal during operation.
19. **REMOVE THE BATTERY(IES).** When not in use, before servicing, and when changing accessories.
20. Clean and service the cleaner immediately after each use to keep it in tiptop operating condition.
21. **MAINTAIN THE CLEANER WITH CARE.** Keep the cleaner clean for better and safer performance. Follow instructions for changing accessories. Keep handles dry, clean, and free from oil and grease.
22. **CHECK DAMAGED PARTS.** Before further use of the cleaner, a guard or other part that is damaged should be carefully checked to determine that it will operate properly and perform its intended function. Check for alignment of moving parts, binding of moving parts, breakage of parts, mounting, and any other conditions that may affect its operation. A guard or other part that is damaged should be properly repaired or replaced by an authorized service center unless otherwise indicated elsewhere in this instruction manual. Have defective switches replaced by authorized service center. Don't use the cleaner if switch does not turn it on and off.
23. For user servicing, the machine shall be dismantled, cleaned and serviced, as far as is reasonably practicable, without causing risk to the maintenance staff and others.
24. The machine should be technically inspected by the manufacturer, or an instructed person, at least annually, consisting of, for example, inspection of filters for damage, air tightness of the machine and proper function of the control mechanism.
25. When carrying out service or repair operations, all contaminated items which cannot be satisfactorily cleaned are to be disposed of; such items shall be disposed of in impervious bags in accordance with any current regulation for the disposal of such waste.
26. **REPLACEMENT PARTS.** When servicing, use only identical replacement parts.
27. When not in use, always store the cleaner indoors.
28. Wet filters and the interior part of the liquid container shall be dried before storage.
29. Be kind to your cleaner. Rough handling can cause breakage of even the most sturdily built cleaner.
30. Do not attempt to clean the exterior or interior with benzine, thinner or cleaning chemicals. Cracks and discoloration may be caused.
31. Do not use cleaner in an enclosed space where flammable, explosive or toxic vapors are given off by oil-based paint, paint-thinner, gasoline, some mothproofing substances, etc., or in areas where flammable dust is present.
32. Do not operate the cleaner or any tool while under the influence of drugs or alcohol.
33. As a basic rule of safety, use safety goggles or safety glasses with side shields.
34. Use a dust mask in dusty work conditions.
35. This machine is not intended for use by persons including children with reduced physical, sensory or mental capabilities, or lack of experience and knowledge.
36. Children should be supervised to ensure that they do not play with the cleaner.
37. Never handle battery(ies) and cleaner with wet hands.
38. Use extreme caution when cleaning on stairs.
39. Do not use the cleaner as a stool or work bench. The machine may fall down and may result in personal injury.

Battery tool use and care

1. **Recharge only with the charger specified by the manufacturer.** A charger that is suitable for one type of battery pack may create a risk of fire when used with another battery pack.
2. **Use power tools only with specifically designed battery packs.** Use of any other battery packs may create a risk of injury and fire.
3. **When battery pack is not in use, keep it away from other metal objects, like paper clips, coins, keys, nails, screws or other small metal objects, that can make a connection from one terminal to another.** Shorting the battery terminals together may cause burns or a fire.
4. **Under abusive conditions, liquid may be ejected from the battery; avoid contact. If contact accidentally occurs, flush with water. If liquid contacts eyes, additionally seek medical help.** Liquid ejected from the battery may cause irritation or burns.
5. **Do not use a battery pack or tool that is damaged or modified.** Damaged or modified batteries may exhibit unpredictable behaviour resulting in fire, explosion or risk of injury.
6. **Do not expose a battery pack or tool to fire or excessive temperature.** Exposure to fire or temperature above 130 °C may cause explosion.
7. **Follow all charging instructions and do not charge the battery pack or tool outside the temperature range specified in the instructions.** Charging improperly or at temperatures outside the specified range may damage the battery and increase the risk of fire.

SAVE THESE INSTRUCTIONS.

⚠ WARNING: DO NOT let comfort or familiarity with product (gained from repeated use) replace strict adherence to safety rules for the subject product. MISUSE or failure to follow the safety rules stated in this instruction manual may cause serious personal injury.

Important safety instructions for battery cartridge

1. **Before using battery cartridge, read all instructions and cautionary markings on (1) battery charger, (2) battery, and (3) product using battery.**
2. **Do not disassemble or tamper with the battery cartridge.** It may result in a fire, excessive heat, or explosion.
3. **If operating time has become excessively shorter, stop operating immediately.** It may result in a risk of overheating, possible burns and even an explosion.
4. **If electrolyte gets into your eyes, rinse them out with clear water and seek medical attention right away.** It may result in loss of your eyesight.
5. **Do not short the battery cartridge:**
 - (1) **Do not touch the terminals with any conductive material.**
 - (2) **Avoid storing battery cartridge in a container with other metal objects such as nails, coins, etc.**
 - (3) **Do not expose battery cartridge to water or rain.**

A battery short can cause a large current flow, overheating, possible burns and even a breakdown.

6. **Do not store and use the tool and battery cartridge in locations where the temperature may reach or exceed 50 °C (122 °F).**
7. **Do not incinerate the battery cartridge even if it is severely damaged or is completely worn out. The battery cartridge can explode in a fire.**
8. **Do not nail, cut, crush, throw, drop the battery cartridge, or hit against a hard object to the battery cartridge.** Such conduct may result in a fire, excessive heat, or explosion.
9. **Do not use a damaged battery.**
10. **The contained lithium-ion batteries are subject to the Dangerous Goods Legislation requirements.**

For commercial transports e.g. by third parties, forwarding agents, special requirement on packaging and labeling must be observed. For preparation of the item being shipped, consulting an expert for hazardous material is required. Please also observe possibly more detailed national regulations.

Tape or mask off open contacts and pack up the battery in such a manner that it cannot move around in the packaging.
11. **When disposing the battery cartridge, remove it from the tool and dispose of it in a safe place. Follow your local regulations relating to disposal of battery.**
12. **Use the batteries only with the products specified by Makita.** Installing the batteries to non-compliant products may result in a fire, excessive heat, explosion, or leak of electrolyte.
13. **If the tool is not used for a long period of time, the battery must be removed from the tool.**
14. **During and after use, the battery cartridge may take on heat which can cause burns or low temperature burns. Pay attention to the handling of hot battery cartridges.**
15. **Do not touch the terminal of the tool immediately after use as it may get hot enough to cause burns.**
16. **Do not allow chips, dust, or soil stuck into the terminals, holes, and grooves of the battery cartridge.** It may cause heating, catching fire, burst and malfunction of the tool or battery cartridge, resulting in burns or personal injury.
17. **Unless the tool supports the use near high-voltage electrical power lines, do not use the battery cartridge near a high-voltage electrical power lines.** It may result in a malfunction or breakdown of the tool or battery cartridge.
18. **Keep the battery away from children.**

SAVE THESE INSTRUCTIONS.

⚠ CAUTION: Only use genuine Makita batteries. Use of non-genuine Makita batteries, or batteries that have been altered, may result in the battery bursting causing fires, personal injury and damage. It will also void the Makita warranty for the Makita tool and charger.

Tips for maintaining maximum battery life

1. Charge the battery cartridge before completely discharged. Always stop tool operation and charge the battery cartridge when you notice less tool power.
2. Never recharge a fully charged battery cartridge. Overcharging shortens the battery service life.
3. Charge the battery cartridge with room temperature at 10 °C - 40 °C (50 °F - 104 °F). Let a hot battery cartridge cool down before charging it.
4. When not using the battery cartridge, remove it from the tool or the charger.
5. Charge the battery cartridge if you do not use it for a long period (more than six months).

Important safety instructions for wireless unit

1. Never open the lid of the slot by yourself once installing the wireless unit.
2. Do not disassemble or tamper with the wireless unit.
3. Keep the wireless unit away from young children. If accidentally swallowed, seek medical attention immediately.
4. Use the wireless unit only with Makita tools.
5. Do not expose the wireless unit to rain or wet conditions.
6. Do not use the wireless unit in places where the temperature exceeds 50 °C (122 °F).
7. Do not operate the wireless unit in places where medical instruments, such as heart pace makers are nearby.
8. Do not operate the wireless unit in places where automated devices are nearby. If operated, automated devices may develop malfunction or error.
9. Do not operate the wireless unit in places under high temperature or places where static electricity or electrical noise could be generated.
10. The wireless unit can produce electromagnetic fields (EMF) but they are not harmful to the user.
11. The wireless unit is an accurate instrument. Be careful not to drop or strike the wireless unit.
12. Avoid touching the terminal of the wireless unit with bare hands or metallic materials.
13. Always remove the battery on the product when installing the wireless unit into it.
14. When opening the lid of the slot, avoid the place where dust and water may come into the slot. Always keep the inlet of the slot clean.
15. Always insert the wireless unit in the correct direction.
16. Do not press the wireless activation button on the wireless unit too hard and/or press the button with an object with a sharp edge.
17. Always close the lid of the slot when operating.

18. Do not remove the wireless unit from the slot while the power is being supplied to the tool. Doing so may cause a malfunction of the wireless unit.
19. Do not remove the sticker on the wireless unit.
20. Do not put any sticker on the wireless unit.
21. Do not leave the wireless unit in a place where static electricity or electrical noise could be generated.
22. Do not leave the wireless unit in a place subject to high heat, such as a car sitting in the sun.
23. Do not leave the wireless unit in a dusty or powdery place or in a place corrosive gas could be generated.
24. Sudden change of the temperature may bedew the wireless unit. Do not use the wireless unit until the dew is completely dried.
25. When cleaning the wireless unit, gently wipe with a dry soft cloth. Do not use benzine, thinner, conductive grease or the like.
26. When storing the wireless unit, keep it in the supplied case or a static-free container.
27. Do not insert any devices other than Makita wireless unit into the slot on the tool.
28. Do not use the tool with the lid of the slot damaged. Water, dust, and dirt come into the slot may cause malfunction.
29. Do not pull and/or twist the lid of the slot more than necessary. Restore the lid if it comes off from the tool.
30. Replace the lid of the slot if it is lost or damaged.

SAVE THESE INSTRUCTIONS.

FUNCTIONAL DESCRIPTION

CAUTION: Always be sure that the appliance is switched off and the battery cartridges are removed before adjusting or checking function on the appliance.

Installing or removing battery cartridge

CAUTION: Always switch off the tool before installing or removing of the battery cartridge.

CAUTION: Hold the cleaner and the battery cartridge firmly when installing or removing battery cartridge. Failure to hold the cleaner and the battery cartridge firmly may cause them to slip off your hands and result in damage to the cleaner and battery cartridge and a personal injury.

CAUTION: Be careful not to pinch your fingers when opening or closing the battery cover. Failure to do so may cause personal injury.

To install the battery cartridge, release the lock first, and then open the battery cover. After that, insert the battery cartridge.

► **Fig.1:** 1. Lock 2. Battery cover

Align the tongue on the battery cartridge with the groove in the housing and slip it into place. Insert it all the way until it locks in place with a little click. Then lock the battery cover.

► **Fig.2:** 1. Battery cartridge 2. Button

To remove the battery cartridge, slide it from the tool while sliding the button in front of the cartridge.

CAUTION: Always install the battery cartridge fully. If not, it may accidentally fall out of the cleaner, causing injury to you or someone around you.

CAUTION: Do not install the battery cartridge forcibly. If the cartridge does not slide in easily, it is not being inserted correctly.

NOTE: The cleaner does not work with only one battery cartridge.

Indicating the remaining battery capacity

Press the check button on the battery cartridge to indicate the remaining battery capacity. The indicator lamps light up for a few seconds.

► **Fig.3:** 1. Indicator lamps 2. Check button

Indicator lamps			Remaining capacity
Lighted	Off	Blinking	
■	□	◐	75% to 100%
■ ■ ■ ■			
■ ■ ■	□		50% to 75%
■ ■	□ □		25% to 50%
■	□ □ □		0% to 25%
◐	□ □ □		Charge the battery.
■ ■ □ □	↑ ↓	□ □ ■ ■	The battery may have malfunctioned.

NOTE: Depending on the conditions of use and the ambient temperature, the indication may differ slightly from the actual capacity.

NOTE: The first (far left) indicator lamp will blink when the battery protection system works.

Battery indicators on control panel

The remaining battery capacity can be read on the control panel at any time. Press the check button, and the left and right indicators will show the battery charge levels correspondingly.

► **Fig.4:** 1. Left battery indicator 2. Right battery indicator 3. Check button

► **Fig.5**

Battery indicator status			Remaining battery capacity
■ On	□ Off	◐ Blinking	
			50% to 100%
			20% to 50%
			0% to 20%
			Charge the battery
			Battery not inserted

NOTE: Battery indicator works while two batteries are inserted.

NOTE: The battery indicators will also be activated when the cleaner starts functioning.

Appliance / battery protection system

The appliance is equipped with an appliance/battery protection system. This system automatically cuts off power to the motor to extend appliance and battery life. The appliance will automatically stop during operation if the appliance or battery is placed under one of the following conditions:

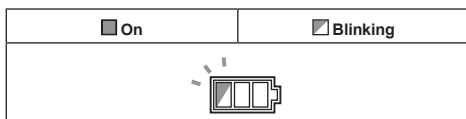
Overload protection

When the appliance/battery is operated in a manner that causes it to draw an abnormally high current, the appliance automatically stops. In this situation, turn the appliance off and stop the application that caused the appliance to become overloaded. Then turn the appliance on to restart.

Overheat protection

■ On	◐ Blinking

When the appliance is overheated, the appliance stops automatically, and both left and right battery indicators blink. In this situation, let the appliance cool down and clean out the filters before turning the appliance on again.



When the battery is overheated, the appliance stops automatically, and one of the indicators for overheated battery blinks. In this situation, let the battery cool down before turning the appliance on again.

Overdischarge protection

When the battery capacity becomes low, the appliance stops automatically. If the appliance does not run along with the switch operation, remove the batteries from the appliance and recharge them.

Protections against other causes

Protection system is also designed for other causes that could damage the appliance and allows the appliance to stop automatically. Take all the following steps to clear the causes, when the appliance has been brought to a temporary halt or stop in operation.

1. Turn the appliance off, and then turn it on again to restart.
2. Charge the battery(ies) or replace it/them with recharged battery(ies).
3. Let the appliance and battery(ies) cool down.

If no improvement can be found by restoring protection system, then contact your local Makita Service Center.

Switch action

Turning cleaner on

1. Turn the stand-by switch in the "I" (ON) or "AUTO" (ON) position to have the cleaner ready in stand-by mode.
2. Press the power button.
To switch back to stand-by mode, press the power button again.

Turning cleaner off

Perform one of the following steps.

- Press the power button to set the cleaner back in stand-by mode.
- Turn the stand-by switch in the "O" (OFF) position.

Adjusting suction power

The suction power can be adjusted according to your work needs.

- Turn the suction force adjusting knob to the left to reduce the suction power.
- Turn the suction force adjusting knob to the right to increase the suction power.

Hose diameter selection

Turn the hose diameter selection dial to the hose's diameter that you are going to use.

NOTE: Do not turn the dial to a gap between the numbers. Always turn the dial according to the hose diameter.

- **Fig.6:** 1. Stand-by switch 2. Suction force adjusting knob 3. Hose diameter selection dial 4. Power button

NOTICE: Always set the stand-by switch to the "O" side when not using the cleaner for long time. The cleaner consumes power during stand-by state.

Warning beep

There are two types of beeping sound. One is short beeps, and the other is continuous beeps.

- When the air flow speed falls under 20 m/s, the cleaner emits short warning beeps for safety reasons. When it sounds, check the hose diameter selection dial or if the suction force is not too low. If the beeps keep sounding, perform maintenance or ask your local service center.
- When the tank is filled with liquid, the cleaner emits continuous warning beeps and stops automatically.
After the cleaner stops, switch off the cleaner and empty the tank.

Auto-suction stop during wet suction operation

⚠ WARNING: Do not pick up foam or soapy liquid. It can cause foam to come out of air exit. Continuous use under such conditions may cause an electric shock and breakage of the cleaner.

The cleaner has a mechanism that prevents water from immersing into the motor when picking up more than a certain amount of water.

When the tank is full with liquid, the cleaner emits continuous warning beeps and stops automatically. After the cleaner stops, switch off the cleaner and empty the tank.

Filter cleaning system

This appliance has filter cleaning system. During the use of the appliance, filter cleaning system dusts the filters automatically to prevent the suction force lowering because of clogging of filters.

If the appliance sucks up the large quantity of dust all at once, suction force may decrease. In that case, manual filter cleaning is recommended.

1. Switch off the appliance.
2. Set the suction power to maximum, and then close the suction hose opening with your palm.
3. Switch on the appliance and operate for approximately 15 seconds with the suction hose opening closed.

► **Fig.7:** 1. Suction hose opening

NOTE: Air volume may change while the filter cleaning system is being activated but it is not malfunctioned.

Water drain

When the tank is full with liquid, switch off the cleaner and open the water drain cap to empty the tank.

► **Fig.8:** 1. Water drain cap

Cap

The cap is supplied with the appliance. Mounting the cap on the hose connecting port prevents the vacuumed dust from getting out from the cleaner.

► **Fig.9:** 1. Cap

Locking and unlocking casters

Front casters can be locked with stoppers to help the cleaner stand still.

Lower the stopper lever by hand to lock the caster, and raise it up to release.

► **Fig.10:** 1. Caster 2. Stopper lever 3. Unlocked position 4. Locked position

NOTE: When moving the cleaner, make sure that the caster is unlocked. Moving the cleaner with the caster in a locked position may cause damage to the caster.

Carriage handle

CAUTION: Lift and carry the appliance with due care. Failing to do so may result in personal injury or damage to the appliance.

When carrying the cleaner, carry it by holding the handle on the head unit. The handle is retractable on the head unit when not in use.

► **Fig.11**

If it is difficult to carry the appliance by yourself, carry it by two people as shown in the figure.

► **Fig.12**

► **Fig.13**

ASSEMBLY

WARNING: This unit may contain hazardous dust. When replacing filter elements and dust bag or maintenance, always use a P2-respirator.

CAUTION: Always be sure that the appliance is switched off and the battery cartridges are removed before carrying out any work on the appliance.

Installing and disposing filter bag

WARNING: Always use a P2-respirator.

WARNING: Before using a filter bag, make sure that the filter unit is used together. Failure to use the filter unit together may cause unusual noise and heat, resulting in a fire.

WARNING: When using the appliance as dust class M, always make sure to use filter bag.

NOTICE: Never pick up water or other liquids or wet dusts when using a filter bag. Picking up such things may cause the filter bag breakage.

1. Release the locking hooks and lift the head unit up off the tank.

► **Fig.14:** 1. Locking hook

2. Unfold a filter bag.

3. Align the filter bag opening with the dust intake of the tank.

4. Insert the cardboard of the filter bag onto the tool so that it is positioned at the end beyond the detent protrusion.

► **Fig.15:** 1. Filter bag 2. Cardboard opening 3. Filter bag holder 4. Dust intake 5. Edge

When disposing the filter bag, pull the edge on the filter bag's mouth so that the mouth is closed by a paper.

Installing polyethylene bag

Optional accessory

Lay a polyethylene bag over the tank, and slip one side of the top edge of the bag at its open end in between the holder plate and the front wall of the tank.

Then, spread the other top edges of the bag outwards over the top rims of the tank.

Polyethylene bag can be used with filter bag.

► **Fig.16:** 1. Holder plate 2. Front wall of tank 3. Polyethylene bag

NOTE: A polyethylene bag available on the market can be used. The thickness is over 0.04 mm and the perimeter is over 2,000 mm one is recommended.

NOTE: Too much dust will tear the polyethylene bag easily, so do not overfill the bag. Disposing the heavy bag may be a burden on a human body.

Emptying tank with polyethylene bag

WARNING: Always make sure that the cleaner is switched off and the battery cartridges are removed before emptying the tank. Failure to do so may cause an electric shock and serious personal injury.

NOTICE: Empty the tank at least once a day although this depends on picked-up dust volume in the tank. Or, the suction force will weaken and the motor may be broken.

NOTICE: Do not grab the locking hooks when emptying the tank. Grabbing the locking hooks may cause them to break.

1. Release the locking hooks and lift the head unit up off the tank.

2. Remove the polyethylene bag out of the tank, closing the opening of the bag by hand.

► **Fig.17:** 1. Polyethylene bag 2. Tank

NOTE: Take the polyethylene bag out of the tank carefully to avoid it from being scratched and torn by the edges inside the tank.

NOTE: Empty the polyethylene bag before it becomes full. Too much dust in the tank may cause the polyethylene bag to be torn.

Installing hose

NOTICE: Never force the hose for bending or stamp it. Never move the cleaner by pulling the hose. Forcing, stamping and pulling the hose may cause a breakage or deformation of the hose.

NOTICE: When picking up large wastes such as planer carvings, concrete dusts or similar other than small wastes, use the 38 mm inner diameter hose (optional accessory). Using the 28 mm inner diameter hose (optional accessory) may cause a hose stuffing and damage.

NOTICE: Always put the cap on the mounting port whenever you remove the hose from the cleaner.

Connection to cleaner

Remove the cap from the mounting port. The cap can be stored at the rear of the cleaner while the hose is connected to the cleaner.

► **Fig.18:** 1. Cap

Insert the hose end to the dust intake (hose inlet) of the cleaner, then turn it clockwise until it locks in place.

► **Fig.19:** 1. Hose 2. Dust intake (hose inlet)

Connections with your work tools (Country specific)

By connecting the vacuum cleaner to any available work tools compatible with the cleaner, it works as a dust extractor for your power tools.

Select one of the front cuffs or joints (optional accessories) as most suitable for your tool model. Place the cuffs or joint, as necessary, between the front end of the cleaner hose and a dust extraction port of your tool.

► **Fig.20:** 1. Front cuffs or joint 2. Cleaner hose
3. Power tool 4. Vacuum cleaner

Installing or removing cleaner attachments

CAUTION: After installing an attachment, check if it is securely installed. If the attachment is installed imperfectly, it may come off and cause personal injury.

Attachments without lock function

Optional accessory

Insert an attachment into the suction inlet of the cleaner by pushing and hand screwing it in place.

Hand twist and pull the attachment apart from the suction inlet after use.

► **Fig.21**

Installing MAKPAC

Optional accessory

CAUTION: Do not stand on or sit on the top of the appliance. It may fall down because of instability.

CAUTION: Be careful with the operation when installing MAKPAC. Failing to do so may result in personal injury or damage to the appliance.

CAUTION: When MAKPAC is installed on the appliance, do not lift the appliance with the handle of MAKPAC.

CAUTION: When moving the appliance which is installed MAKPAC, do not push MAKPAC but the body of appliance. Pushing MAKPAC may break the latches and drop MAKPAC, which may result in personal injury.

Connectable and stackable MAKPAC storage cases can be installed on top of the cleaner. The cases are available in many sizes and styles to suit your preferences.

1. Unfold the latches on top surface of the cleaner.

► **Fig.22:** 1. Latch

2. Mount the MAKPAC cases on top of the cleaner and fix it with latches.

► **Fig.23:** 1. Latch 2. MAKPAC

Maximum height and weight of installing MAKPAC are 315 mm and 20 kg respectively.

► **Fig.24**

OPERATION

WARNING: Always use a P2-respirator.

CAUTION: If foam or liquid escapes from the tool, switch off immediately. Continuing to using in this condition may cause an electric shock and breakage of the cleaner.

WIRELESS ACTIVATION FUNCTION

Optional accessory

What you can do with the wireless activation function

The wireless activation function enables clean and comfortable operation. By connecting a supported tool to the cleaner, you can run the cleaner automatically along with the switch operation of the tool.

► **Fig.25**

NOTICE: Be sure to refer to the instruction manual of the tool when using the cleaner with wireless activation function.

NOTICE: Do not disassemble or tamper with the wireless unit.

NOTICE: To prevent dust coming into the slot of the wireless unit, always close the lid securely during operation and storage.

NOTICE: Do not press the wireless activation button too hard and/or press the button with an object with a sharp edge.

NOTE: Wireless activation needs Makita tools equipped with the wireless unit.

NOTE: Prior to the initial use of the wireless activation function with each tool, the tool registration is required. Once the registration is finished with the tool, the re-registration is not required unless it is cancelled.

NOTE: Before registration, be sure that the wireless unit is properly inserted.

NOTE: One wireless unit can register up to 10 links with other wireless units. If more than 10 other wireless units are registered to one wireless unit, the one registered earliest will be cancelled automatically.

NOTE: The position of the wireless activation button varies depending on the tool.

NOTE: The cleaner also starts by pressing the power button when the stand-by switch is set to "AUTO". However the power button will not actuate when the wireless activation function is used.

Installing the wireless unit

⚠ WARNING: Open the lid when you install the wireless unit at the first time only. Never open the lid after installing it.

⚠ CAUTION: Place the cleaner on a flat and stable surface when installing the wireless unit.

NOTICE: Clean the dust and dirt on the cleaner before installing the wireless unit. Dust or dirt may cause malfunction if it comes into the slot of the wireless unit.

NOTICE: To prevent the malfunction caused by static, touch a static discharging material, such as a metallic part, before picking up the wireless unit.

NOTICE: When installing the wireless unit, always be sure that the wireless unit is inserted in the correct direction and the lid is completely closed.

1. Loosen the screw to open the lid on the cleaner as shown in the figure.
▶ **Fig.26:** 1. Lid 2. Screw

2. Insert the wireless unit to the slot.

When inserting the wireless unit, align the projections with the recessed portions on the slot.

- ▶ **Fig.27:** 1. Wireless unit 2. Projection 3. Lid
4. Recessed portion

3. Tighten the screw completely to close the lid.

Tool registration for the cleaner

NOTE: A Makita tool supporting the wireless activation function is required for the tool registration.

NOTE: Finish installing the wireless unit to the tool before starting the tool registration.

NOTE: During the tool registration, do not pull the switch trigger on the tool or turn on the power switch on the cleaner.

NOTE: Refer to the instruction manual of the tool, too.

If you wish to activate the cleaner along with the switch operation of the tool, finish the tool registration beforehand.

1. Install the wireless units to the cleaner and the tool, respectively.
2. Install the batteries to the cleaner and the tool.
3. Set the stand-by switch on the cleaner to "AUTO".
▶ **Fig.28:** 1. Stand-by switch
4. Press the wireless activation button on the cleaner for 3 seconds until the wireless activation lamp blinks in green. And then press the wireless activation button on the tool in the same way.
▶ **Fig.29:** 1. Wireless activation button 2. Wireless activation lamp

If the cleaner and the tool are linked successfully, the wireless activation lamps will light up in green for 2 seconds and start blinking in blue.

NOTE: The wireless activation lamps finish blinking in green after 20 seconds elapsed. Press the wireless activation button on the tool while the wireless activation lamp on the cleaner is blinking. If the wireless activation lamp does not blink in green, push the wireless activation button briefly and hold it down again.

NOTE: When performing two or more tool registration for the cleaner, finish the tool registration one by one.

Starting the wireless activation function

NOTE: Finish the tool registration for the cleaner for wireless activation.

NOTE: Always place the cleaner so that you can see the status of the wireless activation lamp.

NOTE: Refer to the instruction manual of the tool, too.

After registering a tool to the cleaner, the cleaner will automatically runs along with the switch operation of the tool.

1. Install the wireless units to the cleaner and the tool, respectively.
2. Install the batteries to the cleaner and the tool.
3. Connect the hose of the cleaner with the tool.
▶ **Fig.30**
4. Set the stand-by switch on the cleaner to "AUTO".
▶ **Fig.31:** 1. Stand-by switch

5. Push the wireless activation button on the tool briefly. The wireless activation lamp will blink in blue.

► **Fig.32:** 1. Wireless activation button 2. Wireless activation lamp

6. Turn on the tool. Check if the cleaner runs while the tool is operating.

CAUTION: Always check if the wireless activation function works before starting a work with the tool.

To stop the wireless activation, push the wireless activation button on the tool, or set the stand-by switch on the cleaner to "I" or "O".

NOTE: The wireless activation lamp on the tool will stop blinking in blue when there is no operation for 2 hours. In this case, set the stand-by switch on the cleaner to "AUTO" and press the wireless activation button on the tool again.

NOTE: The cleaner starts/stops with a delay. There is a time lag when the cleaner detects a switch operation of the tool.

NOTE: The transmission distance of the wireless unit may vary depending on the location and surrounding circumstances.

NOTE: When two or more tools are registered to one cleaner, the cleaner may start running even if you do not turn on the tool because other user is using the wireless activation function.

Cancelling tool registration for the cleaner

Perform the following procedure when cancelling the tool registration for the cleaner.

1. Install the wireless units to the cleaner and the tool, respectively.
2. Install the batteries to the cleaner and the tool.
3. Set the stand-by switch on the cleaner to "AUTO".

► **Fig.33:** 1. Stand-by switch

4. Press the wireless activation button on the cleaner for 6 seconds. The wireless activation lamp blinks in green and then become red. After that, press the wireless activation button on the tool in the same way.

► **Fig.34:** 1. Wireless activation button 2. Wireless activation lamp

If the cancellation is performed successfully, the wireless activation lamps will light up in red for 2 seconds and start blinking in blue.

NOTE: The wireless activation lamps finish blinking in red after 20 seconds elapsed. Press the wireless activation button on the tool while the wireless activation lamp on the cleaner is blinking. If the wireless activation lamp does not blink in red, push the wireless activation button briefly and hold it down again.

Erasing all tool registrations

You can erase all tool registrations from the cleaner as follows.

► **Fig.35:** 1. Stand-by switch 2. Wireless activation button 3. Wireless activation lamp











1. Install the wireless unit to the cleaner.
2. Install the batteries to the cleaner.
3. Set the stand-by switch to "AUTO".
4. Hold down the wireless activation button for about 6 seconds until the wireless activation lamp blinks in red (about twice per one second).
5. When the wireless activation lamp starts blinking in red, release your finger from the wireless activation button. Thereafter, hold down the wireless activation button again for about 6 seconds.
6. When the wireless activation lamp starts blinking fast (about 5 times per one second) in red, release your finger from the wireless activation button. When the wireless activation lamp lights up in red and later lights off, all tool registrations are erased.

NOTE: If the wireless activation lamp does not blink in red, press the wireless activation button briefly and try again.

Description of the wireless activation lamp status

► **Fig.36:** 1. Wireless activation button 2. Wireless activation lamp

The wireless activation lamp shows the status of the wireless activation function. Refer to the below table for the meaning of the lamp status.

Status	Wireless activation lamp			Description
	Color	 On	 Blinking	
Standby	Blue		Cleaner: continuing Tool: 2 hours	Waiting for the tool registration or the wireless activation function is available. The lamp on the cleaner blinks when the stand-by switch is set in AUTO. The lamp on the tool blinks when the wireless activation button is pushed. The lamp on the tool will automatically turn off when no operation is performed for 2 hours.
			When the tool is running.	The wireless activation of the cleaner is available and the tool is running.
Tool registration	Green		20 seconds	Ready for the tool registration. Searching the tool to be registered.
			2 seconds	The tool registration has been finished. The wireless activation lamp will start blinking in blue.
Cancelling/erasing tool registration	Red	 (slow: 2 times/sec.)	20 seconds	Ready for the cancellation of the tool registration. Searching the tool to be cancelled.
		 (fast: 5 times/sec.)	When the wireless activation button is pressed down.	Ready to erase all tool registrations.
			2 seconds	The tool registration has been cancelled/erased. The wireless activation lamp will start blinking in blue.
Others	Red		3 seconds	The power is supplied to the wireless unit and the wireless activation function is starting up.
	Off	-	-	The stand-by switch is not set to "AUTO".

Troubleshooting for wireless activation function

Before asking for repairs, conduct your own inspection first. If you find a problem that is not explained in the manual, do not attempt to dismantle the tool. Instead, ask Makita Authorized Service Centers, always using Makita replacement parts for repairs.

State of abnormality	Probable cause (malfunction)	Remedy
The wireless activation lamp does not light/blink.	The wireless unit is not installed into the cleaner and/or the tool. The wireless unit is improperly installed into the cleaner and/or the tool.	Install the wireless unit correctly.
	The wireless activation button on the tool has not been pushed.	Push the wireless activation button on the tool briefly.
	The stand-by switch on the cleaner is not set to "AUTO".	Set the stand-by switch on the cleaner to "AUTO".
	No power supply	Supply the power to the tool and the cleaner.
Cannot finish tool registration / cancelling tool registration successfully.	The wireless unit is not installed into the cleaner and/or the tool. The wireless unit is improperly installed into the cleaner and/or the tool.	Install the wireless unit correctly.
	The stand-by switch on the cleaner is not set to "AUTO".	Set the stand-by switch on the cleaner to "AUTO".
	No power supply	Supply the power to the tool and the cleaner.
	Incorrect operation	Push the wireless activation button briefly and perform the tool registration/cancellation procedures again.
	The tool and cleaner are away from each other (out of the transmission range).	Get the tool and the cleaner closer to each other. The maximum transmission distance is approximately 10 m however it may vary according to the circumstances.
	Before finishing the tool registration/cancellation; - the switch of the tool is turned on or; - the power button on the cleaner is turned on.	Push the wireless activation button briefly and perform the tool registration/cancellation procedures again.
	The tool registration procedures for the tool or the cleaner has not finished.	Perform the tool registration procedures for the tool and the cleaner at the same timing.
	Radio disturbance by other appliances which generate high-intensity radio waves.	Keep the tool and the cleaner away from the appliances such as Wi-Fi devices and microwave ovens.
The cleaner does not run along with the switch operation of the tool.	The wireless unit is not installed into the cleaner and/or the tool. The wireless unit is improperly installed into the cleaner and/or the tool.	Install the wireless unit correctly.
	The wireless activation button on the tool has not been pushed.	Push the wireless activation button briefly and make sure that the wireless activation lamp is blinking in blue.
	The stand-by switch on the cleaner is not set to "AUTO".	Set the stand-by switch on the cleaner to "AUTO".
	More than 10 tools are registered to the cleaner.	Perform the tool registration again. If more than 10 tools are registered to the cleaner, the tool registered earliest will be cancelled automatically.
	The cleaner erased all tool registrations.	Perform the tool registration again.
	No power supply	Supply the power to the tool and the cleaner.
	The tool and cleaner are away from each other (out of the transmission range).	Get the tool and the cleaner closer to each other. The maximum transmission distance is approximately 10 m however it may vary according to the circumstances.
	Radio disturbance by other appliances which generate high-intensity radio waves.	Keep the tool and the cleaner away from the appliances such as Wi-Fi devices and microwave ovens.
The cleaner runs while the tool is not operating.	Other users are using the wireless activation of the cleaner with their tools.	Turn off the wireless activation button of the other tools or cancel the tool registration of the other tools.
Cannot erase all tool registrations in the cleaner.	Pressing the wireless button on the tool.	Press the wireless button on the cleaner for erasing all tool registrations.
	The stand-by switch on the cleaner is not set to "AUTO".	Set the stand-by switch on the cleaner to "AUTO".
	The wireless activation button is not held down correctly.	Hold down the wireless activation button for more than 6 seconds and then release it when the wireless activation lamp blinks in red. Hold down the wireless activation button for more than 6 seconds again until the wireless activation button rapidly blinks in red and then release the button.

MAINTENANCE

⚠ WARNING: Always use a P2-respirator during performing maintenance.

⚠ CAUTION: Always be sure that the appliance is switched off and the battery cartridges are removed before attempting to perform inspection or maintenance.

⚠ CAUTION: A technical inspection, including inspection of filters, air tightness, and control mechanism, must be performed at least once a year by an instructed person.

⚠ CAUTION: During maintenance, all contaminated items which cannot be satisfactorily cleaned must be disposed. Such items must be disposed of in impervious bags which accord with your country's regulations.

⚠ CAUTION: After the operation in the hazardous area, the outside of the tool must be decontaminated by vacuum cleaning methods and wiped clean or treated with sealant before you take the tool out of a hazardous area. All the parts of the tool must be regarded as contaminated when removed from the hazardous area, and appropriate action must be taken to prevent dust dispersal.

⚠ CAUTION: Change filters when filters are clogged with dust or you feel that the cleaner's performance declined.

⚠ CAUTION: Check the filters periodically. If there is a tear on filters, replace them immediately.

NOTICE: Never use gasoline, benzine, thinner, alcohol or the like. Discoloration, deformation or cracks may result.

To maintain product SAFETY and RELIABILITY, repairs, any other maintenance or adjustment should be performed by Makita Authorized or Factory Service Centers, always using Makita replacement parts.

Removing the filter unit

⚠ CAUTION: Wait for about 5 minutes so that dust in the tank completely settles down.

⚠ CAUTION: Be careful not to let the dust enter inside the tank cover when removing the filter unit.

The filter unit is attached on the head unit. It consists of top plate, prefilters, dampers and powder filters.

1. Release the locking hooks and lift the head unit up off the tank.

2. Remove the filter unit from the head unit as shown in the figure.

► **Fig.37:** 1. Latch 2. Filter unit

Removing powder filter and prefilter

Picking up the knob and remove filters from the top plate.

► **Fig.38:** 1. Top plate 2. Filters 3. Knob

To prevent dusts from floating in the air, removing filters in the polyethylene bag is preferable.

When carrying the filter unit in order to clean out, tie a polyethylene bag firmly.

► **Fig.39:** 1. Filter unit 2. Polyethylene bag

► **Fig.40:** 1. Top plate 2. Filters 3. Polyethylene bag

Cleaning of powder filter, prefilter and damper

Clean out the filters and damper from time to time. Clogged filters and damper may result in poor suction performance.

Regularly clean out the accumulated dust of filters and damper.

Occasionally wash the powder filter, prefilter and damper in water, rinse and dry thoroughly in the shade before use. Never wash them in a washing machine.

► **Fig.41**

NOTE: Do not rub or scratch the powder filter, the prefilter and the damper with hard objects such as a brush and a paddle.

NOTE: The filters wear out in course of time. It is recommended to have some spares for them.

Installing powder filter and prefilter

NOTICE: The powder filter and prefilter can pick up both dry dusts and wet dusts. Make sure that the water level sensors activate properly to prevent the powder filter breakage.

Hook the edges of the filter unit to the top plate, and then lower the knob.

► **Fig.42:** 1. Edge 2. Knob

NOTICE: Before using the powder filter, make sure that prefilter and damper are used together. It is not allowed to install powder filter alone.

Assembling the filters

When you get the filters separately, assemble them as shown in the figure.

► **Fig.43:** 1. Powder filter 2. Damper 3. Prefilter

Installing the filter unit

After installing the filters to the top plate, hook the holes of the filter unit to the U-shaped parts of the inner cover. Then, lock the latch as shown in the figure.

► **Fig.44:** 1. U-shaped part 2. Hole 3. Latch

Installing water filter

Optional accessory

NOTICE: For picking up wet dust, make sure that the water level sensors activate properly.

NOTICE: Do not use prefilter and damper when using water filter.

To pick up water or wet dust only, the water filter is more suitable than the powder filter and prefilter.

When installing the water filter, fit the water filter to the top plate same as powder filter and prefilter.

► Fig.45

NOTE: It is recommended that using water filter when picking up large amount of water repeatedly. Otherwise vacuum ability may be reduced in case of the powder filter and prefilter.

Cleaning the water level sensors

The water level sensors detect liquid when the tank becomes full with liquid. Clean the water level sensors with a soft cloth from time to time when changing filters.

► Fig.46: 1. Water level sensor

Storage of accessories

Accessories and attachments not in use, such as nozzles, pipes and a cap can be stored hanging on the hook at the rear of the cleaner.

► Fig.47: 1. Accessory and attachment not in use
2. Cap

Pipes (with an optional stopper installed) can be placed into the pipe holder when not using the cleaner for a short time.

► Fig.48: 1. Stopper (optional accessory) 2. Pipe holder

A hose can be wrapped and stored around the housing or handle of the cleaner in large loops. Connect its both ends together to make loops and hook the loops onto the handle raised up. Alternatively, keep its root end installed in the hose inlet and hang the loops on the multi hook with the loose end tied up.

► Fig.49

► Fig.50

OPTIONAL ACCESSORIES

CAUTION: These accessories or attachments are recommended for use with your Makita tool specified in this manual. The use of any other accessories or attachments might present a risk of injury to persons. Only use accessory or attachment for its stated purpose.

If you need any assistance for more details regarding these accessories, ask your local Makita Service Center.

- Hose
- Front cuffs (22, 24, 38)
- Straight pipe
- Corner nozzle
- Round brush
- Powder filter M, H (HEPA)
- Damper
- Prefilter
- Water filter
- Nozzle assembly
- Bent pipe
- Polyethylene bag
- Filter bag
- Cap
- Makita genuine battery and charger
- Wireless unit
- MAKPAC

NOTE: Some items in the list may be included in the tool package as standard accessories. They may differ from country to country.

OPOZORILO

- Te naprave ne smejo uporabljati osebe (vključno z otroki) z oslabiljenimi fizičnimi, senzornimi in duševnimi zmogljivostmi ali osebe brez ustreznih izkušenj in znanja.
- Otroke nadzorujte in jim prepričajte, da bi se igrali s sesalnikom.
- Glejte poglavje „TEHNIČNI PODATKI“ za vrsto baterije.
- Za navodila o nameščanju ali odstranjevanju baterije glejte razdelek „Nameščanje ali odstranjevanje akumulatorske baterije“.
- Ko želite akumulatorsko baterijo zavreči, jo vzemite iz orodja in odložite med odpadke na varno mesto. Upoštevajte lokalne uredbe glede odlaganja baterije.
- Če orodja ne boste uporabljali dalj časa, morate odstraniti baterijo.
- Ne povzročite kratkega stika akumulatorske baterije.
- Za primerne podrobnosti o previdnostnih ukrepih med vzdrževanjem glejte poglavje „VZDRŽEVANJE“.

TEHNIČNI PODATKI

Model:		VC006GM
Največja prostornina zraka na koncu cevi	S cevjo BL4050F, ø28 mm x3,5 m	2,0 m ³ /min
	S cevjo BL4050F, ø38 mm x 2,5 m	3,7 m ³ /min
Največja prostornina zraka pri turbini (z BL4050F)		4,9 m ³ /min
Vakuum (z BL4050F)		18 kPa
Obnovljiva zmogljivost	Prah	40 l
	Voda	30 l
Mere (D x Š x V)		586 mm x 385 mm x 598 mm
Nazivna napetost		D.C. največ 72 V – 80 V
Neto teža		18,4 – 20,8 kg
Stopnja zaščite		IPX4

- Ker nenehno opravljamo raziskave in razvijamo svoje izdelke, se lahko tehnični podatki v tem dokumentu spremenijo brez obvestila.
- Tehnični podatki se lahko razlikujejo od države do države.
- Teža ne vključuje pripomočkov, vključuje pa akumulatorske baterije. Najlažja in najtežja kombinacija teže naprave in akumulatorskih baterij sta prikazani v tabeli.

Uporabna akumulatorska baterija in polnilnik

Baterijski vložek	BL4020 / BL4025 / BL4040* / BL4050F* / BL4080F* * : Priporočeni akumulator
Polnilnik	DC40RA / DC40RB / DC40RC

- Nekatere zgoraj navedene akumulatorske baterije in polnilniki morda v vaši državi prebivališča niso na voljo.

⚠ OPOZORILO: Uporabljajte le zgoraj navedene akumulatorske baterije in polnilnike. Uporaba drugih akumulatorskih baterij in polnilnikov lahko povzroči telesne poškodbe in/ali požar.

Simboli

Naslednji simboli se lahko uporabljajo v povezavi s strojem. Pred uporabo izdelka se obvezno seznanite z njihovim pomenom.



Preberite navodila za uporabo.



Potrebna je posebna pozornost in previdnost.



Opozorilo! Sesalnik lahko vsebuje nevaren prah.



Nikoli ne stojte na sesalniku.



Na sesalnik nikoli ne odlagajte stvari, težjše od 20 kg (44 lbs).



Prah razreda M (medium): za ločevanje prahu z mejno vrednostjo poklicne izpostavljenosti, ki ni manjša od 0,1 mg/m³. Sesalniki lahko pobirajo prah razreda L in M. Upoštevajte državne predpise, ki se nanašajo na prah ter na zdravje in varnost pri delu.



Samo za države EU
Zaradi prisotnosti nevarnih komponent v opremi imajo lahko uporabljena električna in elektronska oprema, akumulatorji in baterije negativen vpliv na okolje in zdravje ljudi.

Električnih in elektronskih naprav ali baterij ne odlagajte med gospodinjne odpadke! Skladno z evropsko Direktivo o odpadni električni in elektronski opremi, o akumulatorjih in baterijah ter odpadnih akumulatorjih in baterijah ter njeno uporabo v državnih zakonih morate rabljeno električno in elektronsko opremo, baterije in akumulatorje zbirati ločeno ter dostaviti na posebno zbiralno mesto za komunalne odpadke, ki deluje skladno s predpisi za zaščito okolja. To nakazuje simbol prečrtanega smetnjaka s kolesi, ki je natisnjen na opremi.

Predvidena uporaba

Naprava je predvidena za pobiranje mokrega in suhega prahu. Naprava je primerna za komercialno uporabo, na primer v hotelih, šolah, bolnišnicah, tovarnah, trgovinah, pisarnah in izposojevalnicah.

Hrup

Običajna A-ovrednotena raven hrupa v skladu z EN60335-2-69:

Raven zvočnega tlaka (L_{pA}): 70 dB (A) ali manj
Odstopanje (K): 2,5 dB (A)

Nivo hrupa med delom lahko preseže 80 dB (A).

OPOMBA: Navedene vrednosti oddajanja hrupa so bile izmerjene v skladu s standardnimi metodami testiranja in se lahko uporabljajo za primerjavo orodij.

OPOMBA: Navedene vrednosti oddajanja hrupa se lahko uporabljajo tudi pri predhodni oceni izpostavljenosti.

⚠ OPOZORILO: Uporabljajte zaščito za sluh.

⚠ OPOZORILO: Oddajanje hrupa med dejansko uporabo električnega orodja se lahko razlikuje od navedenih vrednosti, odvisno od načina uporabe orodja in predvsem vrste obdelovanca.

⚠ OPOZORILO: Upravljevec mora za lastno zaščito poznati varnostne ukrepe, ki temeljijo na oceni izpostavljenosti v dejanskih pogojih uporabe (poleg časa proženja je treba upoštevati celoten delovni cikel, vključno s časom, ko je orodje izklopljeno, in časom, ko deluje v prostem teku).

Vibracije

Skupne vrednosti vibracij (vektorska vsota treh osi) v skladu z EN60335-2-69:

Oddajanje tresljajev ($a_{h, M}$): 2,5 m/s² ali manj
Odstopanje (K): 1,5 m/s²

OPOMBA: Navedene skupne vrednosti oddajanja vibracij so bile izmerjene v skladu s standardnimi metodami testiranja in se lahko uporabljajo za primerjavo orodij.

OPOMBA: Navedene skupne vrednosti oddajanja vibracij se lahko uporabljajo tudi pri predhodni oceni izpostavljenosti.

⚠ OPOZORILO: Oddajanje vibracij med dejansko uporabo električnega orodja se lahko razlikuje od navedenih vrednosti, odvisno od načina uporabe orodja in predvsem vrste obdelovanca.

⚠ OPOZORILO: Upravljevec mora za lastno zaščito poznati varnostne ukrepe, ki temeljijo na oceni izpostavljenosti v dejanskih pogojih uporabe (poleg časa proženja je treba upoštevati celoten delovni cikel, vključno s časom, ko je orodje izklopljeno, in časom, ko deluje v prostem teku).

Izjava o skladnosti ES

Samo za evropske države

Izjava ES o skladnosti je vključena v dodatku A, ki je priložen tem navodilom za uporabo.

VARNOSTNA OPOZORILO

Varnostna navodila za brezžični nahrbtni sesalnik za prah

⚠ OPOZORILO: POMEMBNO! POZORNO PREBERITE vsa varnostna opozorila in navodila pred uporabo. Zaradi neupoštevanja opozoril in navodil lahko pride do električnega šoka, požara in/ali hudih telesnih poškodb.

1. Pred uporabo poskrbite, da sesalnik uporablja le osebe, ki so bile ustrezno seznanjene z njegovo uporabo.
2. Upravljavci se morajo pred uporabo seznaniti z informacijami in navodili ter usposobiti za uporabo stroja in ravnanje s snovmi, za katere se uporablja, vključno z varnim načinom odstranjevanja in odlaganja zbranega materiala.
3. Če začne iztekati pena/tekočina, sesalnik takoj izklopite.
4. Napravo za omejevanje nivoja vode redno čistite in pregledujte, ali je okvarjena.
5. Pred vsako uporabo se prepričajte, da so filtri pravilno nameščeni. Sesalnika ne uporabljajte brez nameščenih filtrov. Če je filter poškodovan, ga takoj zamenjajte. Priporočamo, da imate pri roki rezervne filtre, saj je to potrošni material.
6. **IZOGIBAJTE SE NEŽELENEMU ZAGONU.** Ko vstavljate akumulator(je), se prepričajte, da je stikalo **IZKLOPLJENO**.
7. Ne poskušajte pobirati vnetljivih materialov, izdelkov za ognjemete, prižganih cigaret, vročega pepela, vročih kovinskih okruškov in ostrih materialov, kot so britvice, igle, zlomljeno steklo ali podobno.
8. **SESALNIKA ZA PRAH NIKOLI NE UPORABLJAJTE V BLIŽINI BENCINA, PLINA, BARVE, LEPIL ALI DRUGIH LAHKO VNETLJIVIH SNOVI.** Stikalo med **VKLOPOM** in **IZKLOPOM** oddaja iskre. Prav tako oddaja iskre komutator med delovanjem motorja. Lahko pride do nevarne eksplozije.
9. Nikoli ne sesajte strupenih, rakotvornih, vnetljivih ali drugih nevarnih materialov, npr. azbesta, arzenika, barija, berilija, svinca, pesticidov ali drugih zdravju nevarnih materialov.
10. Čistilnik vedno postavite na vodoravno, ravno površino, da ne pade ali se premakne nehote.
11. Sesalnika za prah nikoli ne uporabljajte na prostem v dežju.
12. Na Finskem tega stroja ne smete uporabljati na prostem pri nizki temperaturi.
13. Ne uporabljajte v bližini virov toplote (štedilnik itd.).
14. Če se izpušni zrak vrača v prostor, morate v prostoru zagotoviti ustrezno stopnjo izmenjave zraka. Nujno morate upoštevati državne predpise.
15. Pretok zraka skozi sesalni vhod/izhod in odprtine za prezračevanje ne sme biti oviran. Te odprtine omogočajo hlajenje motorja. Oviran pretok zraka in nezadostno prezračevanje lahko povzročita pregretje motorja.
16. Vselej pazite na ustrezno oporo in ravnotežje.
17. Ne zlagajte in ne vlečite cevi, ter ne stopajte nanjo.
18. Če sesalnik za prah deluje slabo ali med njegovim delovanjem opazite karkoli nenavadnega, ga takoj izklopite.
19. **ODSTRANITE AKUMULATOR(JE).** Ko ga ne uporabljate, med servisiranjem in med menjavo dodatkov.
20. Očistite in servisirajte sesalnik za prah po vsaki uporabi, saj ga tako ohranjate v najboljšem stanju.
21. **SESALNIK ZA PRAH REDNO VZDRŽUJTE.** Sesalnik za prah redno čistite za boljše in varnejše delovanje. Sledite navodilom za zamenjavo dodatkov. Ročice morajo biti suhe, čiste ter brez olja in masti.
22. **PREGLEJTE MOREBITNE POŠKODOVANE DELE.** Pred nadaljnjo uporabo sesalnika za prah pazorno preglejte varovalo ali druge dele, če so poškodovani, in ugotovite, ali bodo pravilno delovali in služili namenu. Preglejte poravnavo gibljivih delov, povezave gibljivih delov, zlome delov, montažo in druga stanja, ki lahko vplivajo na delovanje. Varovalo ali del, ki je poškodovan, mora ustrezno popraviti ali zamenjati pooblaščen servis, razen če ni v teh navodilih za uporabo navedeno drugače. Stikala v okvari naj zamenja pooblaščen servis. Sesalnika za prah ne uporabljajte, če ga ne morete vklopiti in izklopiti s stikalom.
23. Pri servisiranju s strani uporabnika morate stroj razstaviti, očistiti in servisirati, kolikor je to v razumni meri mogoče, ne da bi ogrozili oseba, ki opravlja vzdrževanje, ali drugih ljudi.
24. Stroj naj vsaj enkrat letno tehnično pregleda proizvajalec ali usposobljena oseba, pri čemer naj na primer preveri, ali so filtri poškodovani, je stroj nepredušen in ali pravilno deluje kontrolni mehanizem.
25. Med servisiranjem ali izvajanjem popravil morate zavreči vse kontaminirane predmete, ki jih ni mogoče zadovoljivo očistiti; tovrstne predmete zavrzite v neprepustnih vrečah skladno z vsemi veljavnimi predpisi za odlaganje tovrstnih odpadkov.
26. **NADOMESTNI DELI.** Med servisiranjem uporabite le originalne nadomestne dele.
27. **SESALNIK ZA PRAH SHRANJUJTE IZKLOPLJEN.** Kadar sesalnika za prah ne uporabljate, ga hranite v zaprtem prostoru.
28. Pred hrambo je treba mokre filtre in notranjost posode za tekočino posušiti.
29. Lepo ravnajte s sesalnikom za prah. Grobo ravnanje lahko povzroči okvaro tudi najbolj robustno zgrajenega sesalnika za prah.
30. Zunanosti ali notranjosti sesalnika za prah ne čistite z bencinom, razredčilom ali čistilnimi kemikalijami. S tem lahko povzročite razpoke in razbarvanje.
31. Sesalnika za prah ne uporabljajte v zaprtem prostoru, kjer uhajajo vnetljivi, eksplozivni ali strupeni plini zaradi barve na osnovi olja, razredčila za barve, bencina, nekaterih snovi, ki so odporne na molje itd. ali v prostorih, kjer je prisoten vnetljiv plin.
32. Tega ali drugega orodja ne upravljajte pod vplivom drog ali alkohola.
33. Osnovno pravilo varnosti je, da uporabljate zaščitna očala, ki imajo stransko zaščito.
34. V prašnih delovnih pogojih uporabljajte masko za prah.

35. Te naprave ne smejo uporabljati osebe (vključno z otroki) z oslabljenimi fizičnimi, senzornimi in duševnimi zmogljivostmi ali osebe brez ustreznih izkušenj in znanja.
36. Otroke nadzorujte in jim prepričajte, da bi se igrali s sesalnikom.
37. Akumulatorjev in sesalnika nikoli ne upravljajte z mokrimi rokami.
38. Med čiščenjem stopnic bodite izjemno previdni.
39. Sesalnika za prah ne uporabljajte namesto stola ali delovnega pulta. Naprava lahko pade na tla in povzroči telesno poškodbo.

Uporaba akumulatorskega orodja in ravnanje z njim

1. Orodje polnite samo s polnilnikom, ki ga je določil proizvajalec. Polnilnik, ki je primeren za eno vrsto akumulatorskih baterij, lahko pomeni nevarnost požara, če ga uporabljate z drugimi akumulatorskimi baterijami.
2. Električno orodje uporabljajte le s posebej označenimi akumulatorskimi baterijami. Uporaba drugih akumulatorskih baterij lahko pomeni nevarnost telesnih poškodb in požara.
3. Ko akumulatorske baterije ne uporabljate, je ne hranite ob kovinskih predmetih, kot so sponke za papir, kovanci, ključji, želblji, vijaki ali drugi manjši kovinski predmeti, ki lahko povzročijo stik med priključkoma. Kratek stik akumulatorskih priključkov lahko povzroči opekline ali požar.
4. V neprimernih pogojih lahko iz akumulatorja uhaja tekočina; izogibajte se stiku. Če pride do nenamerne stika, sperite z vodo. Če pride tekočina v stik z očmi, takoj poiščite zdravniško pomoč. Tekočina iz akumulatorja lahko povzroči draženje ali opekline.
5. Ne uporabljajte akumulatorskega sklopa ali orodja, ki je poškodovano ali spremenjeno. Delovanje poškodovanih ali spremenjenih akumulatorjev je nepredvidljivo in lahko povzroči požar, eksplozijo ali telesne poškodbe.
6. Akumulatorskega sklopa in orodja ne izpostavljajte ognju ali previsoki temperaturi. Izpostavljenost ognju ali temperaturam nad 130 °C lahko povzroči eksplozijo.
7. Upoštevajte vsa navodila glede polnjenja in akumulatorskih baterij ali orodja ne polnite zunaj določenega temperaturnega obsega. Nepravilno polnjenje ali polnjenje pri temperaturah, ki so zunaj določenega obsega, lahko poškoduje akumulator in poveča nevarnost požara.

SHRANITE TA NAVODILA.

⚠ OPOZORILO: NE dovolite, da bi zaradi udobnejšega dela ali znanja o uporabi izdelka (pridobljenega z večkratno uporabo) opustili strogo upoštevanje varnostnih zahtev v okviru pravilne uporabe orodja. ZLORABA ali neupoštevanje varnostnih zahtev v teh navodilih za uporabo lahko povzroči resne telesne poškodbe.

Pomembna varnostna navodila za akumulatorsko baterijo

1. Pred uporabo baterijskega vložka preberite vsa navodila in opozorilne oznake na (1) polnilniku akumulatorja, (2) akumulatorju in (3) izdelku, ki uporablja akumulator.
2. Ne razstavljajte ali spreminjajte akumulatorske baterije. S tem lahko povzročite požar, prekomerno vročino ali eksplozijo.
3. Če se je čas delovanja občutno skrajšal, takoj prenehajte uporabljati orodje. V nasprotnem primeru lahko pride do pregretja, morebitnih opeklin in celo eksplozije.
4. Če pride elektrolit v stik z očmi, jih sperite s čisto vodo in takoj poiščite zdravniško pomoč. Posledica je lahko izguba vida.
5. Ne povzročite kratkega stika baterijskega vložka:
 - (1) Ne dotikajte se priključkov s kakršnim koli prevodnim materialom.
 - (2) Izogibajte se shranjevanju baterijskega vložka v vsebniku z drugimi kovinskimi predmeti kot so želblji, kovanci itn.
 - (3) Ne izpostavljajte baterijskega vložka vodi ali dežju.
 Kratek stik akumulatorja lahko povzroči velik električni tok, pregrevanje, morebitne opekline in celo okvaro.
6. Ne shranjujte in uporabljajte orodja in akumulatorske baterije na mestih, kjer lahko temperatura doseže ali preseže 50 °C (122 °F).
7. Ne sežigajte baterijskega vložka, tudi če je hudo poškodovan ali v celoti izpraznjen. Baterijski vložek lahko v ognju eksplodira.
8. Ne pribijajte, režite, drobite, mečite, spuščajte akumulatorske baterije oziroma ne udarjajte z akumulatorsko baterijo po trdem predmetu. Takšno ravnanje lahko povzroči požar, prekomerno vročino ali eksplozijo.
9. Ne uporabljajte poškodovanih akumulatorjev.
10. Priložene litij-ionske baterije ustrezajo zahtevam zakonodaje v zvezi z nevarnim blagom. Za komercialne prevoze, npr. tiste, ki jih opravljajo tretje stranke in carinski posredniki, je treba upoštevati posebne zahteve v zvezi z embalažo in označevanjem. Med postopkom priprave na odpremo izdelka se je treba posvetovati s strokovnjakom za nevarne snovi. Pri tem upoštevajte tudi podrobnejše nacionalne predpise. Odprte stike oblepite z lepilnim trakom ali jih drugače zaščitite, baterijo pa zapakirajte tako, da se v embalaži ne more premikati.
11. Ko odstranujete akumulatorsko baterijo, jo vzemite iz orodja in varno zavržite. Upoštevajte lokalne uredbe glede odlaganja baterije.
12. Baterije uporabljajte le z izdelki, ki jih določa Makita. Če namestite baterije v neskladne izdelke, lahko pride do požara, pregrevanja, eksplozije ali puščanja elektrolita.
13. Če orodja dlje časa ne uporabljate, morate iz njega odstraniti baterijo.

14. Med uporabo in po uporabi lahko akumulatorska baterija postane vroča in povzroči opekline. Z vročimi akumulatorskimi baterijami ravnajte pazljivo.
15. Ne dotikajte se priključka orodja takoj po uporabi, ker se lahko dovolj segreje, da povzroči opekline.
16. Ne dovolite, da bi se v priključke, odprtine in utore akumulatorske baterije zlepi ostružki, prah ali zemlja. To lahko povzroči pregrevanje, požar, razpočenje in okvaro orodja ali akumulatorske baterije ter privede do opeklin ali drugih telesnih poškodb.
17. Razen če orodje podpira uporabo v bližini visokonapetostnih električnih vodov, akumulatorske baterije ne uporabljajte v bližini visokonapetostnih električnih vodov. Takšna uporaba lahko povzroči motnje v delovanju ali okvaro orodja oziroma akumulatorske baterije.
18. Baterijo hranite izven dosega otrok.
6. Brezžične enote ne uporabljajte na mestih, kjer temperatura presega 50 °C.
7. Brezžične enote ne upravljajte na mestih v bližini medicinskih pripomočkov, kot so srčni spodbujevalniki.
8. Brezžične enote ne upravljajte na mestih v bližini avtomatiziranih naprav. Sicer se lahko avtomatizirane naprave pokvarijo.
9. Brezžične enote ne uporabljajte na mestih, kjer je visoka temperatura ali kjer lahko nastane statična elektrika ali električni šum.
10. Brezžična enota lahko proizvaja elektromagnetna polja (EMF), ki uporabniku niso škodljiva.
11. Brezžična enota je natančna naprava. Poskrbite, da brezžična enota ne bo izpostavljena padcem ali udarcem.
12. Ne dotikajte se priključka brezžične enote z golimi rokami ali kovinskimi materiali.
13. Ko nameščate brezžično enoto v izdelek, vedno odstranite baterijo iz izdelka.
14. Ko odpirate pokrov reže, se izogibajte mestu, kjer lahko prah in voda vstopita skozi režo. Dovod reže mora biti vedno čist.
15. Brezžično enoto vedno vstavite v pravi smeri.
16. Gumba za brezžično aktivacijo na brezžični enoti ne pritiskajte premočno in/ali s predmetom, ki ima oster rob.
17. Pri upravljanju vedno zaprite pokrov reže.
18. Ne odstranjujte brezžične enote iz reže, ko je orodje priključeno na napajanje. V nasprotnem primeru lahko povzročite okvaro brezžične enote.
19. Ne odstranite nalepke na brezžični enoti.
20. Na brezžično enoto ne lepите nobenih nalepk.
21. Brezžične enote ne puščajte na mestih, kjer lahko nastane statična elektrika ali električni šum.
22. Brezžične enote ne puščajte na mestih z visoko temperaturo, kot je na primer na soncu segret avto.
23. Brezžične enote ne puščajte na mestih, kjer je veliko prahu oziroma prašnih delcev, ali na mestih, kjer lahko nastane korozivni plin.
24. Zaradi nenadne spremembe temperature se lahko brezžična enota orosi. Ne uporabljajte brezžične enote, dokler se rosa popolnoma ne posuši.
25. Pri čiščenju brezžično enoto nežno obrišite s suho in mehko krpo. Ne uporabljajte bencina, razredčila, prevodne masti ipd.
26. Brezžično enoto shranjujte v priloženi škatli ali brez statični posodi.
27. V režo orodja lahko vstavljate smo brezžično enoto Makita in ne drugih naprav.
28. Ne uporabljajte orodja, če sta reža ali pokrov poškodovana. Voda, prah in umazanija v reži lahko povzročijo okvaro.
29. Pokrova reže ne vlecite in/ali obračajte več, kot je treba. Če se pokrov odstrani z orodja, ga znova namestite.
30. Zamenjajte pokrov reže, če se izgubi ali poškoduje.

SHRANITE TA NAVODILA.

⚠️ POZOR: Uporabljajte le originalne baterije Makita. Če uporabljate neoriginalne baterije Makita ali baterije, ki so bile spremenjene, lahko pride do eksplozije baterije in posledično do požara, telesnih poškodb ali materialne škode. S takšno uporabo boste tudi razveljavili garancijo Makita za orodje in polnilnik Makita.

Nasveti za ohranjanje največje zmogljivosti akumulatorja

1. Napolnite baterijski vložek, preden se v celoti izprazni. Ko opazite, da ima orodje manjšo moč, vedno ustavite delovanje orodja in napolnite baterijski vložek.
2. Nikoli znova ne polnite popolnoma napolnjenega baterijskega vložka. Prenapolnjenje skrajša življenjsko dobo akumulatorja.
3. Baterijski vložek s sobno temperaturo polnite pri temperaturi okolja od 10 °C do 40 °C. Počakajte, da se vroč baterijski vložek pred polnjenjem ohladi.
4. Ko akumulatorske baterije ne uporabljate, jo odstranite iz orodja ali polnilnika.
5. Če baterijskega vložka ne uporabljate dalj časa (več kot 6 mesecev), ga napolnite.

Pomembna varnostna navodila za brezžično enoto

1. Ko je brezžična enota nameščena, nikoli sami ne odpirajte pokrova reže.
2. Ne razstavljajte ali spreminjajte brezžične enote.
3. Brezžično enoto hranite izven dosega majhnih otrok. Če pride do nenamernega zaužitja, takoj poiščite zdravniško pomoč.
4. Brezžično enoto uporabljajte samo z orodji Makita.
5. Brezžične enote ne izpostavljajte dežju ali mokrim pogojem.
6. Brezžične enote ne uporabljajte na mestih, kjer temperatura presega 50 °C.
7. Brezžične enote ne upravljajte na mestih v bližini medicinskih pripomočkov, kot so srčni spodbujevalniki.
8. Brezžične enote ne upravljajte na mestih v bližini avtomatiziranih naprav. Sicer se lahko avtomatizirane naprave pokvarijo.
9. Brezžične enote ne uporabljajte na mestih, kjer je visoka temperatura ali kjer lahko nastane statična elektrika ali električni šum.
10. Brezžična enota lahko proizvaja elektromagnetna polja (EMF), ki uporabniku niso škodljiva.
11. Brezžična enota je natančna naprava. Poskrbite, da brezžična enota ne bo izpostavljena padcem ali udarcem.
12. Ne dotikajte se priključka brezžične enote z golimi rokami ali kovinskimi materiali.
13. Ko nameščate brezžično enoto v izdelek, vedno odstranite baterijo iz izdelka.
14. Ko odpirate pokrov reže, se izogibajte mestu, kjer lahko prah in voda vstopita skozi režo. Dovod reže mora biti vedno čist.
15. Brezžično enoto vedno vstavite v pravi smeri.
16. Gumba za brezžično aktivacijo na brezžični enoti ne pritiskajte premočno in/ali s predmetom, ki ima oster rob.
17. Pri upravljanju vedno zaprite pokrov reže.
18. Ne odstranjujte brezžične enote iz reže, ko je orodje priključeno na napajanje. V nasprotnem primeru lahko povzročite okvaro brezžične enote.
19. Ne odstranite nalepke na brezžični enoti.
20. Na brezžično enoto ne lepите nobenih nalepk.
21. Brezžične enote ne puščajte na mestih, kjer lahko nastane statična elektrika ali električni šum.
22. Brezžične enote ne puščajte na mestih z visoko temperaturo, kot je na primer na soncu segret avto.
23. Brezžične enote ne puščajte na mestih, kjer je veliko prahu oziroma prašnih delcev, ali na mestih, kjer lahko nastane korozivni plin.
24. Zaradi nenadne spremembe temperature se lahko brezžična enota orosi. Ne uporabljajte brezžične enote, dokler se rosa popolnoma ne posuši.
25. Pri čiščenju brezžično enoto nežno obrišite s suho in mehko krpo. Ne uporabljajte bencina, razredčila, prevodne masti ipd.
26. Brezžično enoto shranjujte v priloženi škatli ali brez statični posodi.
27. V režo orodja lahko vstavljate smo brezžično enoto Makita in ne drugih naprav.
28. Ne uporabljajte orodja, če sta reža ali pokrov poškodovana. Voda, prah in umazanija v reži lahko povzročijo okvaro.
29. Pokrova reže ne vlecite in/ali obračajte več, kot je treba. Če se pokrov odstrani z orodja, ga znova namestite.
30. Zamenjajte pokrov reže, če se izgubi ali poškoduje.

SHRANITE TA NAVODILA.

OPIS DELOVANJA

⚠️ POZOR: Pred nastavljanjem ali preizkusom delovanja naprave se prepričajte, da je naprava izklopljena in sta akumulatorski bateriji odstranjeni.

Nameščanje ali odstranjevanje akumulatorske baterije

⚠️ POZOR: Pred nameščanjem ali odstranjevanjem akumulatorske baterije vedno izklopite orodje.

⚠️ POZOR: Trdno držite sesalnik in akumulatorsko baterijo, kadar nameščate ali odstranjujete akumulatorsko baterijo. Če orodja in akumulatorske baterije ne držite trdno, vam lahko zdrsneta iz rok in se poškodujeta ali povzročita telesne poškodbe.

⚠️ POZOR: Pazite, da si med odpiranjem ali zapiranjem pokrova za akumulator ne priščipnete prstov. V nasprotnem primeru lahko pride do telesnih poškodb.

Akumulatorsko baterijo vstavite tako, da najprej sprostite zaklep in odprete pokrov predela za akumulator. Nato vstavite akumulatorsko baterijo.

► **SI.1:** 1. Zaklep 2. Pokrov predela za akumulator

Poravnate jeziček na akumulatorski bateriji z utorom na ohišju in jo potisnete v ležišče. Potisnite jo do konca, da se zaskoči. Nato zaklenite pokrov predela za akumulator.

► **SI.2:** 1. Akumulatorska baterija 2. Gumb

Če želite odstraniti akumulatorsko baterijo, jo potisnite iz orodja, pri tem pa pomikajte gumb na sprednji strani baterije.

⚠️ POZOR: Akumulatorsko baterijo vedno namestite do konca. V nasprotnem primeru lahko baterija po nesreči pade iz sesalnika in poškoduje vas ali druge osebe v neposredni bližini.





















⚠️ POZOR: Ne nameščajte akumulatorske baterije s silo. Če se akumulatorska baterija ne zaskoči zlahka, ni pravilno vstavljena.

OPOMBA: Sesalnik ne deluje samo z eno akumulatorsko baterijo.

Prikazuje preostalo raven napoljenosti akumulatorja

Pritisnite gumb za preverjanje na baterijskem vložku, da preverite raven napoljenosti akumulatorja. Indikatorne lučke na kratko zasvetijo.

► **SI.3:** 1. Indikatorne lučke 2. Gumb za preverjanje

Indikatorne lučke			Prikaz preostale ravni napoljenosti
 Sveti	 Ne sveti	 Utripa	
			od 75 % do 100 %
			od 50 % do 75 %
			od 25 % do 50 %
			od 0 % do 25 %
			Napolnite akumulator.
			Akumulator je morda okvarjen.
			

OPOMBA: Odvisno od pogojev uporabe in okoljske temperature se označba lahko nekoliko razlikuje od dejanske napoljenosti.





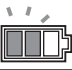
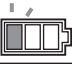
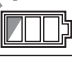

OPOMBA: Prva opozorilna lučka (skrajno levo) bo utripala, ko sistem za zaščito akumulatorja deluje.

Indikatorja napoljenosti baterije na nadzorni plošči

Preostalo zmogljivost baterije lahko kadar koli preverite na nadzorni plošči. Pritisnite gumb za preverjanje; indikatorja na desni in levi strani ustrezno prikažeta raven napoljenosti baterije.

► **SI.4:** 1. Indikator napoljenosti akumulatorja na levi strani 2. Indikator napoljenosti akumulatorja na desni strani 3. Gumb za preverjanje

► **SI.5**

Indikator ravni napoljenosti akumulatorja			Prikaz preostale ravni napoljenosti akumulatorja
 Sveti	 Ne sveti	 Utripa	
			od 50 % do 100 %
			od 20 % do 50 %
			od 0 % do 20 %
			Napolnite akumulator
			Baterija ni vstavljena

OPOMBA: Indikator napoljenosti akumulatorja deluje, ko sta vstavljena dva akumulatorja.

OPOMBA: Indikatorja napoljenosti akumulatorja se vklopita tudi, ko začne sesalnik delovati.

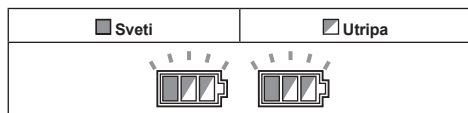
Zaščitni sistem naprave/baterije

Naprava je opremljena z zaščitnim sistemom naprave/baterije. Sistem samodejno prekine napajanje motorja, da podaljša življenjsko dobo naprave in baterije. Naprava se bo med delovanjem samodejno zaustavila, če bo naprava ali baterija izpostavljena naslednjim pogojem:

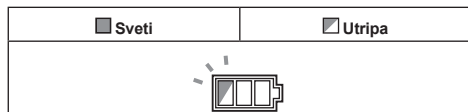
Zaščita pred preobremenitvijo

Kadar napravo/baterijo uporabljate na način, ki povzroča uporabo neobičajno visokega toka, se naprava samodejno ustavi. V tem primeru izklopite napravo in prekinite delo, ki je povzročilo preobremenitev naprave. Nato vklopite napravo, da jo znova zaženete.

Zaščita pred pregrevanjem



Ko se naprava pregreje, se samodejno ustavi, indikatorja napoljenosti akumulatorja na levi in desni strani pa utripata. V tem primeru počakajte, da se naprava ohladi, in očistite filtre, preden jo znova vklopite.



Ko se baterija pregreje, se naprava samodejno ustavi in eden od indikatorjev pregrevanja baterije utripa. V tem primeru počakajte, da se baterija ohladi, preden znova vklopite napravo.

Zaščita pred izpraznjenjem

Ko se zmogljivost baterije zmanjša, se naprava samodejno zaustavi. Če naprava po vklopu stikala ne deluje, odstranite bateriji iz naprave in ju napolnite.

Zaščita pred drugimi vzroki

Sistem zaščite je zasnovan tudi za druge vzroke, ki bi lahko povzročili poškodbe naprave, in omogoča samodejno ustavitve naprave. Kadar se naprava začasno ustavi ali preneha delovati, izvedite vse naslednje korake, da odpravite vzroke.

1. Izklopite napravo in jo nato vklopite, da jo znova zaženete.
2. Napolnite baterijo ali jo zamenjajte z napolnjeno baterijo (po potrebi ponovite postopek še za drugo baterijo).
3. Počakajte, da se naprava in baterija ohladita.

Če z obnovitvijo sistema zaščite ne odpravite težave, se obrnite na lokalni servisni center Makita.

Delovanje stikala

Vklop sesalnika

1. Stikalo za stanje pripravljenosti obrnite v položaj „I“ (VKLOP) ali „AUTO“ (VKLOP), da bo sesalnik v stanju pripravljenosti.
2. Pritisnite gumb za vklop/izklop. Če želite sesalnik preklopiti nazaj v stanje pripravljenosti, znova pritisnite gumb za vklop/izklop.

Izklop sesalnika

Izvedite enega od naslednjih korakov.

- Pritisnite gumb za vklop/izklop, da preklopite sesalnik nazaj v stanje pripravljenosti.
- Obrnite stikalo za vklop/izklop v položaj „O“ (IZKLOP).

Prilagajanje moči sesanja

Moč sesanja lahko prilagodite glede na svoje delo.

- Gumb za prilagajanje jakosti sesanja obrnite v levo, če želite zmanjšati moč sesanja.
- Gumb za prilagajanje jakosti sesanja obrnite v desno, če želite povečati moč sesanja.

Izbor premera cevi

Nastavite gumb za izbor premera cevi na premer cevi, ki ga nameravate uporabiti.

OPOMBA: Gumba ne obrnite na razmak med številkami. Gumb vedno obrnite glede na premer cevi.

- **SI.6:** 1. Stikalo za stanje pripravljenosti 2. Gumb za prilagajanje jakosti sesanja 3. Gumb za izbor premera cevi 4. Gumb za vklop/izklop

OBVESTILO: Kadar sesalnika dlje časa ne uporabljate, vedno nastavite stikalo za stanje pripravljenosti na položaj „O“. Sesalnik v stanju pripravljenosti porablja električno energijo.

Opozorilni pisk

Obstajata dve vrsti piskov. Kratki piski in dolgi piski.

- Ko hitrost pretoka zraka pade pod 20 m/s, sesalnik oddaja kratke opozorilne piske zaradi varnostnih razlogov. Ko zaslišite piskanje, preverite gumb za izbor premera cevi ali če je moč sesanja prenizka. Če piskanje ne preneha, izvedite vzdrževalna dela ali za to zaprosite svoj lokalni servis.
- Ko je posoda napolnjena s tekočino, sesalnik oddaja dolge opozorilne piske in se samodejno zaustavi. Ko se sesalnik zaustavi, ga izklopite in izpraznite rezervoar.

Ustavitve samodejnega sesanja med mokrim sesanjem

⚠ OPOZORILO: Ne pobirajte pene ali milnate tekočine. To lahko povzroči uhajanje pene skozi izhod za zrak. Če boste še naprej uporabljali sesalnik v tem stanju, lahko pride do električnega udara in okvare sesalnika.

Sesalnik za prah ima mehanizem, ki preprečuje vdor vode v motor med pobiranjem večje količine vode. Ko je rezervoar napolnjen s tekočino, sesalnik oddaja dolge opozorilne piske in se samodejno zaustavi. Ko se sesalnik zaustavi, ga izklopite in izpraznite rezervoar.

Sistem za čiščenje filtrov

Ta naprava ima nameščen sistem za čiščenje filtrov. Sistem za čiščenje filtrov med uporabo naprave samodejno obriše prah s filtrov, da prepreči zmanjšanje moči sesanja zaradi zamašitve filtrov.

Če naprava naenkrat posega veliko količino prahu, se moč sesanja lahko zmanjša. V tem primeru se priporoča ročno čiščenje filtra.

1. Izklopite napravo.
2. Moč sesanja nastavite na maksimalno in nato zaprite odprtino sesalne cevi s svojo dlanjo.
3. Vključite napravo in jo pustite delovati približno 15 sekund, pri čemer mora biti odprtina za sesalno cev zaprta.

► **SI.7:** 1. Odprtina sesalne cevi

OPOMBA: Ko je sistem za čiščenje filtrov aktiviran, se prostornina zraka lahko spremeni, vendar ne gre za okvaro.

Odtok vode

Ko je rezervoar napolnjen z vodo, izklopite sesalnik in odprite pokrovček odtoka za vodo, da izpraznite posodo.

► **SI.8:** 1. Pokrovček odtoka za vodo

Kapica

Pokrovček je priložen napravi. Uporaba pokrovčka na odprtini za priključitev cevi prepreči uhajanje posesanega prahu iz sesalnika.

► **SI.9:** 1. Pokrovček

Zaklepanje in odklepanje koles

Sprednja kolesa je mogoče zakleniti z blokado, da se sesalnik ne premika.

Ročno spustite ročico blokade, da zaklenete kolo, in jo dvignite, da spustite.

► **SI.10:** 1. Kolo 2. Ročica blokade 3. Položaj FREE 4. Položaj LOCK

OPOMBA: Med premikanjem sesalnika mora biti kolo odklenjeno. Premikanje sesalnika s kolesom v zaklenjenem položaju lahko povzroči okvaro kolesa.

Ročaj nosilca

POZOR: Napravo dvigujte in nosite zelo previdno. V nasprotnem primeru lahko pride do telesnih poškodb ali poškodb naprave.

Pri nošenju držite sesalnik za ročaj na glavni enoti. Kadar ročaja ne potrebujete, ga lahko vstavite v glavno enoto.

► **SI.11**

Če napravo težko nosite sami, naj jo nosita dve osebi, kot je prikazano na sliki.

► **SI.12**

► **SI.13**

MONTAŽA

POPOZORILO: Ta enota lahko vsebuje nevaren prah. Ko menjate filtrirne elemente in vrečko za prah ali izvajate vzdrževalna dela, vedno uporabljajte respirator P2.

POZOR: Pred izvajanjem kakršnega koli dela na napravi se prepričajte, da je naprava izklopljena in akumulatorska baterija odstranjena.

Nameščanje in odlaganje filtrirne vrečke

POPOZORILO: Vedno uporabljajte respirator P2.

POPOZORILO: Pred uporabo filtrirne vrečke se prepričajte, da se uporablja filtrska enota. Če ne uporabite filtrske enote, lahko pride do nenavadnega hrupa in vročine, ki lahko povzroči požar.

POPOZORILO: Kadar uporabljate napravo za prah razreda M, vedno uporabite filtrirno vrečko.

OBVESTILO: Ko uporabljate filtrirno vrečko, nikoli ne pobirajte vode ali drugih tekočin ali mokrega prahu. Pobiranje teh stvari lahko povzroči poškodbo filtrirne vrečke.

1. Sprostite zapahe in dvignite glavno enoto s posode.
► **SI.14:** 1. Zapah
2. Odvijte filtrirno vrečko.
3. Poravnajte odprtino filtrirne vrečke z odprtino za sesanje prahu na posodi.
4. Vstavite karton filtrirne vrečke na orodje, tako da je nameščen na koncu čez izboklino.
► **SI.15:** 1. Filtrirna vrečka 2. Kartonasta odprtina 3. Držalo za filtrirno vrečko 4. Odprtina za sesanje prahu 5. Rob

Ko želite zavreči filtrirno vrečko, povlecite rob odprtine filtrirne vrečke tako, da je odprtina zaprta s papirjem.

Nameščanje polietilenske vrečke

Dodatna oprema

Polietilensko vrečko namestite čez posodo ter potisnite eno stran zgornjega roba vrečke na odprtem koncu med ploščo držala in sprednjo steno posode.

Nato ostale zgornje robove vrečke razprite navzven čez vrhne robove posode.

S filtrirno vrečko lahko uporabljate polietilensko vrečko.

► **SI.16:** 1. Plošča držala 2. Sprednja stena posode 3. Polietilenska vrečka

OPOMBA: Uporabite lahko običajno polietilensko vrečko. Priporočena se debelina več kot 0,04 mm in obseg več kot 2.000 mm.

OPOMBA: Zaradi preveč prahu se polietilenska vrečka zlahka strga, zato je ne napolnite preveč. Odlaganje težke vreče je lahko napor za telo.

Praznjenje posode s polietilensko vrečko

⚠ OPOZORILO: Pred praznjenjem posode se vedno prepričajte, da je sesalnik izklopljen in sta akumulatorski bateriji odstranjeni. V nasprotnem primeru lahko pride do električnega udara ali hudih telesnih poškodb.

OBVESTILO: Čeprav je praznjenje rezervoarja odvisno od pobrane količine prahu, ga izpraznite vsaj enkrat dnevno. Sicer se bo sesalna moč poslabšala in motor se lahko pokvari.

OBVESTILO: Med praznjenjem posode ne prijemajte zapahov. Če jih prijemate, se lahko zlomijo.

1. Sprostite zapahe in dvignite glavno enoto s posode.
 2. Odstranite polietilensko vrečko iz posode, pri čemer z roko pokrijte odprtino vrečke.
- **SI.17:** 1. Polietilenska vrečka 2. Posoda

OPOMBA: Polietilensko vrečko previdno vzemite iz posode, da je robovi znotraj posode ne poškodujejo.

OPOMBA: Polietilensko vrečko izpraznite, preden se napolni. Preveč prahu v rezervoarju lahko povzroči pretrganje polietilenske vrečke.

Nameščanje cevi

OBVESTILO: Nikoli ne upogibajte cevi na silo ali hodite po njej. Sesalnica nikoli ne premikajte tako, da ga vlečete za cev. Uporaba sile, hoja po cevi in vlečenje cevi lahko povzročijo okvaro ali deformacijo cevi.

OBVESTILO: Ko pobirate večje odpadke, kot so ostanki skobljanja, betonski prah ali podobno, uporabite cev z notranjim premerom 38 mm (dodatni pripomoček). Uporaba cevi z notranjim premerom 28 mm (dodatni pripomoček) lahko povzroči zamašitev in okvaro cevi.

OBVESTILO: Ko odstranite cev s sesalnika, vedno namestite pokrovček na odprtino za priklop.

Priključitev na sesalnik

Odstranite pokrovček z odprtine za priklop. Ko je cev priključena na sesalnik, lahko pokrovček shranite na zadnjem delu sesalnika.

► **SI.18:** 1. Pokrovček

Konec cevi vstavite v odprtino za sesanje prahu (vhod cevi) na sesalniku in jo obrnite v smeri urnega kazalca, da se zaskoči na mestu.

► **SI.19:** 1. Gibljiva cev 2. Odprtina za sesanje prahu (vhod cevi)

Povezovanje z delovnimi orodji (odvisno od države)

Če sesalnik za prah povežete s katerim koli delovnim orodjem, ki je z njim združljivo, deluje kot odstranjevalec prahu za električna orodja.

Izberite eno od sprednjih manšet ali spojov (izbirna dodatna oprema), ki najbolj ustreza modelu vašega orodja. Manšete oziroma spoj namestite med sprednji konec cevi sesalnika in odprtino za odsesavanje prahu na orodju.

► **SI.20:** 1. Sprednje manšete/spoj 2. Cev sesalnika 3. Električno orodje 4. Sesalnik za prah

Nameščanje ali odstranjevanje nastavkov za sesanje

⚠ POZOR: Po namestitvi nastavka preverite, ali je ustrezno nameščen. Če nastavek ni ustrezno nameščen, se lahko sname in povzroči telesne poškodbe.

Uporaba nastavka brez funkcije zaklepanja

Dodatna oprema

Vstavite priključek v sesalni vhod sesalnika, tako da ga potisnete in ročno zategnete, dokler se ne zaskoči. Po uporabi priključek ročno zavrtite in ga izvlecite iz sesalnega vhoda.

► **SI.21**

Nameščanje kovčka MAKPAC

Dodatna oprema

⚠ POZOR: Ne stojte ali sedite na napravi. Zaradi nestabilnosti lahko pade na tla.

⚠ POZOR: Pri nameščanju kovčka MAKPAC ravnajte previdno. V nasprotnem primeru lahko pride do telesnih poškodb ali poškodb naprave.

⚠ POZOR: Ko je kovček MAKPAC nameščen na napravo, naprave ne dvigajte za ročaj kovčka MAKPAC.

⚠ POZOR: Pri premikanju naprave, na katero je nameščen kovček MAKPAC, ne potiskajte kovčka MAKPAC, temveč ohišje naprave. Če potiskate kovček MAKPAC, lahko zlomite zapahe in kovček MAKPAC lahko pade, kar lahko povzroči telesne poškodbe.

Na sesalnik je mogoče namestiti priklopljive in zložljive kovčke za shranjevanje MAKPAC. Kovčki so na voljo v različnih velikostih in oblikah, da zadostijo vašim željam.

1. Odprite zapahe na vrhu sesalnika.

► **SI.22:** 1. Zapah

2. Namestite kovčke MAKPAC na vrh sesalnika in jih pritrdite z zapahi.

► **SI.23:** 1. Zapah 2. MAKPAC

Maksimalna višina in teža nameščenih kovčkov MAKPAC sta 315 mm in 20 kg.

► **SI.24**

UPRAVLJANJE

⚠ OPOZORILO: Vedno uporabljajte respirator P2.

⚠ POZOR: Če pena ali tekočine uide iz orodja, ga takoj izklopite. Če boste še naprej uporabljali sesalnik v tem stanju, lahko pride do električnega udara in okvare sesalnika.

FUNKCIJA BREŽIČNE AKTIVACIJE

Dotatna oprema

Kaj lahko storite s funkcijo brezžične aktivacije

Funkcija brezžične aktivacije omogoča nemoteno in udobno upravljanje. Če na čistilnik pritrđite podprto orodje, lahko čistilnik zažene samodejno z upravljanjem stikala na orodju.

► **SI.25**

OBVESTILO: Pri uporabi čistilnika s funkcijo brezžične aktivacije morate upoštevati navodila za uporabo orodja.

OBVESTILO: Ne razstavljajte ali spreminjajte brezžične enote.

OBVESTILO: Da preprečite uhajanje prahu v režo brezžične enote, pazite, da je med uporabo in shranjevanjem pokrov vedno trdno zaprt.

OBVESTILO: Gumba za brezžično aktivacijo ne pritiskajte premočno in/ali s predmetom, ki ima oster rob.

OPOMBA: Za brezžično aktivacijo morajo biti orodja Makita opremljena z brezžično enoto.

OPOMBA: Pred prvo uporabo funkcije brezžične aktivacije pri vsakem posameznem orodju je potrebna registracija orodja. Ko je registracija orodja dokončana, ponovna registracija ni potrebna, razen če jo prekličete.

OPOMBA: Pred registracijo se prepričajte, da je brezžična enota pravilno vstavljena.

OPOMBA: Za eno brezžično enoto je mogoče registrirati do 10 povezav z drugimi brezžičnimi enotami. Če je z eno brezžično enoto registriranih več kot 10 drugih brezžičnih enot, se registracija prve registrirane brezžične enote samodejno prekliče.

OPOMBA: Položaj gumba za brezžično aktivacijo se razlikuje glede na orodje.

OPOMBA: Čistilnik se zažene tudi s pritiskom na gumb za vklop/izklop, ko je stikalo za stanje pripravljenosti nastavljeno na „AUTO“. Vendar pa se gumb za vklop/izklop ne bo aktiviral, ko uporabljate funkcijo brezžične aktivacije.

Nameščanje brezžične enote

⚠ OPOZORILO: Pokrov odprite samo pri prvi namestitvi brezžične enote. Po namestitvi nikoli ne odpirajte pokrova.

⚠ POZOR: Pri nameščanju brezžične enote položite sesalnik na ravno in stabilno površino.

OBVESTILO: Preden namestite brezžično enoto, s sesalnika očistite prah in umazanijo. Prah in umazanija lahko povzročita okvaro, če prideta v režo brezžične enote.

OBVESTILO: Okvaro zaradi statike preprečite tako, da se dotaknete materiala za sprostitve statičnega naboja, npr. kovine, preden primete brezžično enoto.

OBVESTILO: Pri nameščanju brezžične enote se vedno prepričajte, da je brezžična enota vstavljena v pravi smeri in je pokrov popolnoma zaprt.

1. Odvijte vijak, da odprete pokrov sesalnika, kot je prikazano na sliki.

► **SI.26:** 1. Pokrov 2. Vijak

2. Vstavite brezžično enoto v režo.

Ko vstavljate brezžično enoto, poravnajte izbokline z vbočenimi deli v reži.

► **SI.27:** 1. Brezžična enota 2. Izboklina 3. Pokrov 4. Vbočen del

3. Zategnite vijak do konca, da zaprete pokrov.

Registracija orodja za čistilnik

OPOMBA: Za registracijo orodja je potrebno orodje Makita, ki podpira funkcijo brezžične aktivacije.

OPOMBA: Pred registracijo orodja najprej namestite brezžično enoto v orodje.

OPOMBA: Med registracijo orodja ne pritiskajte sprožilca na orodju ali stikala za vklop/izklop na čistilniku.

OPOMBA: Preberite tudi navodila za uporabo orodja.

Če želite aktivirati čistilnik z upravljanjem stikala na orodju, pred tem zaključite registracijo orodja.

1. V sesalnik in orodje namestite brezžično enoto.

2. Namestite baterije v čistilnik in orodje.

3. Stikalo za stanje pripravljenosti na čistilniku nastavite na položaj „AUTO“.

► **SI.28:** 1. Stikalo za stanje pripravljenosti

4. Držite gumb za brezžično aktivacijo na čistilniku 3 sekunde, dokler lučka brezžične aktivacije ne utripa zeleno. Nato enako storite z gumbom za brezžično aktivacijo na orodju.

► **SI.29:** 1. Gumb za brezžično aktivacijo 2. Lučka brezžične aktivacije

Če se čistilnik in orodje uspešno povežeta, lučki brezžične aktivacije za 2 sekundi zasvetita zeleno in začneta utripati modro.

OPOMBA: Lučki brežične aktivacije nehata utripati zeleno po 20 sekundah. Pritisnite gumb za brežično aktivacijo na orodju, medtem ko lučka brežične aktivacije na čistilniku utripa. Če lučka brežične aktivacije ne utripa zeleno, za kratek čas znova pridržite gumb za brežično aktivacijo.

OPOMBA: Če izvajate registracijo dveh ali več orodij za čistilnik, končajte registracijo orodja eno za drugo.

Zagon funkcije brežične aktivacije

OPOMBA: Dokončajte registracijo orodja za čistilnik, da boste lahko uporabljali brežično aktivacijo.

OPOMBA: Čistilnik vedno postavite tako, da lahko vidite stanje lučke za brežično aktivacijo.

OPOMBA: Preberite tudi navodila za uporabo orodja.

Ko registrirate orodje v čistilnik, čistilnik samodejno deluje z upravljanjem stikala na orodju.

1. V sesalnik in orodje namestite brežično enoto.
2. Namestite baterije v čistilnik in orodje.
3. Cev čistilnika priključite na orodje.
▶ **SI.30**
4. Stikalo za stanje pripravljenosti na čistilniku nastavi na položaj „AUTO“.
▶ **SI.31:** 1. Stikalo za stanje pripravljenosti
5. Na kratko pritisnite gumb za brežično aktivacijo na orodju. Lučka brežične aktivacije utripa modro.
▶ **SI.32:** 1. Gumb za brežično aktivacijo 2. Lučka brežične aktivacije
6. Vklonite orodje. Preverite, ali čistilnik deluje, medtem ko je orodje v teku.

⚠ POZOR: Pred uporabo orodja vedno preverite delovanje funkcije brežične aktivacije.

Če želite ustaviti brežično aktivacijo, pritisnite gumb za brežično aktivacijo na orodju ali premaknite stikalo za stanje pripravljenosti na čistilniku na „I“ ali „O“.

OPOMBA: Lučka brežične aktivacije na orodju bo nehala utripati modro, ko orodje ne deluje 2 uri. V tem primeru nastavite stikalo za stanje pripravljenosti na čistilniku na položaj „AUTO“ in znova pritisnite gumb za brežično aktivacijo na orodju.

OPOMBA: Čistilnik se zažene/zaustavi z zamikom. Čistilnik zazna upravljanje stikala na orodju s časovnim zamikom.

OPOMBA: Domet brežične enote se lahko razlikuje glede na pogoje lokacije in okolice.

OPOMBA: Kadar je v en čistilnik registrirano več kot eno orodje, se lahko čistilnik zažene tudi, če ne vklonite orodja, ker funkcijo brežične aktivacije uporablja drug uporabnik.

Preklic registracije orodja za čistilnik

Za preklic registracije orodja za čistilnik izvedite naslednji postopek.

1. V sesalnik in orodje namestite brežično enoto.
2. Namestite baterije v čistilnik in orodje.
3. Stikalo za stanje pripravljenosti na čistilniku nastavi na položaj „AUTO“.
▶ **SI.33:** 1. Stikalo za stanje pripravljenosti
4. Držite gumb za brežično aktivacijo na čistilniku 6 sekund. Lučka brežične aktivacije utripa zeleno in zasveti rdeče. Nato storite enako z gumbom za brežično aktivacijo na orodju.
▶ **SI.34:** 1. Gumb za brežično aktivacijo 2. Lučka brežične aktivacije

Če je preklic uspešen, lučki brežične aktivacije za 2 sekundi zasvetita rdeče in začneta utripati modro.

OPOMBA: Lučki brežične aktivacije nehata utripati rdeče po 20 sekundah. Pritisnite gumb za brežično aktivacijo na orodju, medtem ko lučka brežične aktivacije na čistilniku utripa. Če lučka brežične aktivacije ne utripa rdeče, za kratek čas znova pridržite gumb za brežično aktivacijo.

Brisanje registracij vseh orodij

Iz čistilnika lahko na naslednji način izbrišete registracije vseh orodij.











- ▶ **SI.35:** 1. Stikalo za stanje pripravljenosti 2. Gumb za brežično aktivacijo 3. Lučka brežične aktivacije
1. V sesalnik namestite brežično enoto.
 2. V čistilnik vstavite baterije.
 3. Stikalo za stanje pripravljenosti nastavite na položaj „AUTO“.
 4. Pridržite gumb za brežično aktivacijo približno 6 sekund, dokler lučka za brežično aktivacijo ne začne utripati rdeče (približno dvakrat na sekundo).
 5. Ko lučka za brežično aktivacijo začne utripati rdeče, umaknite prst z gumba za brežično aktivacijo. Nato znova pridržite gumb za brežično aktivacijo približno 6 sekund.
 6. Ko lučka za brežično aktivacijo začne hitro utripati rdeče (približno 5-krat na sekundo), umaknite prst z gumba za brežično aktivacijo. Ko lučka za brežično aktivacijo zasveti rdeče in nato ugasne, so izbrisane registracije vseh orodij.

OPOMBA: Če lučka brežične aktivacije ne utripa rdeče, na kratko pritisnite gumb za brežično aktivacijo in poskusite znova.

Opis stanja lučke brezžične aktivacije

- **SI.36:** 1. Gumb za brezžično aktivacijo 2. Lučka brezžične aktivacije

Lučka brezžične aktivacije prikazuje stanje funkcije brezžične aktivacije. Pomen stanja lučke je prikazan v spodnji tabeli.

Stanje	Lučka brezžične aktivacije				Opis
	Barva	 Sveti	 Utripa	Trajanje (približno)	
Pripravljenost	Modra			Čistilnik: nadaljevanje Orodje: 2 uri	Čakanje na registracijo orodja ali funkcijo brezžične aktivacije je na voljo. Lučka na čistilniku utripa, ko je stikalo za stanje pripravljenosti nastavljeno na AUTO. Lučka na orodju utripa, ko je gumb za brezžično aktivacijo pritisnjen. Lučka na orodju samodejno ugasne, ko orodje ne deluje 2 uri.
				Ko orodje deluje.	Brezžična aktivacija čistilnika je na voljo in orodje deluje.
Registracija orodja	Zelena			20 sekund	Pripravljenost na registracijo orodja. Iskanje orodja, ki ga želite registrirati.
				2 sekundi	Registracija orodja je končana. Lučka brezžične aktivacije začne utripati modro.
Preklic/izbris registracije orodja	Rdeča		(počasi: 2-krat na sekundo)	20 sekund	Pripravljenost na preklic registracije orodja. Iskanje orodja, ki ga želite preklicati.
			(hitro: 5-krat na sekundo)	Ko je gumb za brezžično aktivacijo pritisnjen.	Pripravljen na brisanje registracij vseh orodij.
				2 sekundi	Registracija orodja je bila preklicana/izbrisana. Lučka brezžične aktivacije začne utripati modro.
Drugo	Rdeča			3 sekunde	Brezžična enota je priključena in funkcija brezžične aktivacije se zaganja.
	Ne sveti	-		-	Stikalo za stanje pripravljenosti ni nastavljeno na položaj „AUTO“.

Odpravljanje težav s funkcijo brezžične aktivacije

Preden zahtevate popravilo, izvedite lasten pregled. Če naletite na težavo, ki ni pojasnjena v navodilih, ne poskušajte razstavljati orodja. Namesto tega se obrnite na pooblaščen servis Makita. Pri popravilih vedno uporabljajte nadomestne dele Makita.

Neobičajno stanje	Možni vzroki (okvare)	Ukrep
Lučka brezžične aktivacije ne sveti/utripa.	Brezžična enota ni nameščena v sesalniku in/ali orodju. Brezžična enota ni pravilno nameščena v sesalniku in/ali orodju.	Pravilno namestite brezžično enoto.
	Niste pritisnili gumba za brezžično aktivacijo na orodju.	Na kratko pritisnite gumb za brezžično aktivacijo na orodju.
	Stikalo za stanje pripravljenosti na čistilniku ni nastavljeno na položaj „AUTO“.	Stikalo za stanje pripravljenosti na čistilniku nastavite na položaj „AUTO“.
	Ni napajanja	Orodje in čistilnik priklopite na napajanje.
Registracije orodja/preklica registracije orodja ni mogoče končati uspešno.	Brezžična enota ni nameščena v sesalniku in/ali orodju. Brezžična enota ni pravilno nameščena v sesalniku in/ali orodju.	Pravilno namestite brezžično enoto.
	Stikalo za stanje pripravljenosti na čistilniku ni nastavljeno na položaj „AUTO“.	Stikalo za stanje pripravljenosti na čistilniku nastavite na položaj „AUTO“.
	Ni napajanja	Orodje in čistilnik priklopite na napajanje.
	Nepravilno delovanje	Na kratko pritisnite gumb za brezžično aktivacijo in znova izvedite registracijo/preklik registracije orodja.
	Orodje in čistilnik sta oddaljena drug od drugega (izven dometa).	Približajte orodje in čistilnik. Največji domet je približno 10 m, vendar se lahko razlikuje glede na pogoje.
	Pred dokončanjem registracije/preklica registracije orodja: - pritisnili ste sprožilce na orodju ali; - vklopili ste gumb za vklop/izklop čistilnika.	Na kratko pritisnite gumb za brezžično aktivacijo in znova izvedite registracijo/preklik registracije orodja.
	Postopek registracije za orodje ali čistilnik se ni dokončal.	Registracijo orodja izvedite istočasno za orodje in čistilnik.
	Radjske motnje drugih naprav, ki proizvajajo zelo intenzivne radijske valove.	Orodje in čistilnik hranite v primerni oddaljenosti od naprav, kot so naprave Wi-Fi in mikrovalovne pečice.
Čistilnik ne deluje z upravljanjem stikala na orodju.	Brezžična enota ni nameščena v sesalniku in/ali orodju. Brezžična enota ni pravilno nameščena v sesalniku in/ali orodju.	Pravilno namestite brezžično enoto.
	Niste pritisnili gumba za brezžično aktivacijo na orodju.	Na kratko pritisnite gumb za brezžično aktivacijo in se prepričajte, da lučka brezžične aktivacije utripa modro.
	Stikalo za stanje pripravljenosti na čistilniku ni nastavljeno na položaj „AUTO“.	Stikalo za stanje pripravljenosti na čistilniku nastavite na položaj „AUTO“.
	V čistilnik je registriranih več kot 10 orodij.	Znova izvedite registracijo orodja. Če je v čistilnik registriranih več kot 10 orodij, se prvo registrirano orodje samodejno prekliče.
	Čistilnik je izbrisal registracije vseh orodij.	Znova izvedite registracijo orodja.
	Ni napajanja	Orodje in čistilnik priklopite na napajanje.
	Orodje in čistilnik sta oddaljena drug od drugega (izven dometa).	Približajte orodje in čistilnik. Največji domet je približno 10 m, vendar se lahko razlikuje glede na pogoje.
	Radjske motnje drugih naprav, ki proizvajajo zelo intenzivne radijske valove.	Orodje in čistilnik hranite v primerni oddaljenosti od naprav, kot so naprave Wi-Fi in mikrovalovne pečice.
Čistilnik je v teku, medtem ko orodje ne deluje.	Brezžično aktivacijo čistilnika uporabljajo drugi uporabniki s svojimi orodji.	Izklopite gumb za brezžično aktivacijo na drugih orodjih ali prekličite registracijo drugih orodij.
	Ni mogoče izbrisati registracij vseh orodij v čistilniku.	Pritisnite gumb za brezžično povezavo na orodju. Stikalo za stanje pripravljenosti na čistilniku ni nastavljeno na položaj „AUTO“.
	Gumb za brezžično aktivacijo ni pravilno pridržen.	Pritisnite in za več kot 6 sekund zadržite gumb za brezžično aktivacijo in ga nato spustite, ko začne lučka za brezžično aktivacijo utripati rdeče. Znova pritisnite in za več kot 6 sekund zadržite gumb za brezžično aktivacijo, dokler lučka za brezžično aktivacijo ne začne hitro utripati rdeče, nato spustite gumb.

VZDRŽEVANJE

⚠ OPOZORILO: Med izvajanjem vzdrževalnih del vedno uporabljajte respirator P2.

⚠ POZOR: Preden začnete pregledovati napravo ali izvajati vzdrževalna dela, se vedno prepričajte, da je naprava izklopljena in sta akumulatorski bateriji odstranjeni.

⚠ POZOR: Tehnični pregled, vključno s pregledom filtrov, nepredušnostjo in kontrolnim mehanizmom, mora izvesti usposobljena oseba najmanj enkrat na leto.

⚠ POZOR: Med vzdrževanjem morate zavreči vse kontaminirane predmete, ki jih ni mogoče zadovoljivo očistiti. Takšne predmete morate zavreči v neprepustnih vrečah, ki so v skladu s predpisi v vaši državi.

⚠ POZOR: Po delovanju v nevarnem območju morate zunanost orodja razkužiti z metodami za čiščenje sesalnika in jo do čistega obrisati ali pa obdelati s tesnilno maso, preden odnesete orodje iz nevarnega območja. Ko dele orodja odstranjete iz nevarnega območja, jih morate obravnavati kot kontaminirane. Uporabite ustrezne ukrepe, da preprečite razpršitev prahu.

⚠ POZOR: Zamenjajte filtre, ko so zamašeni s prahom ali imate občutek, da sesalnik slabše deluje.

⚠ POZOR: Redno pregledujte filtre. Če so raztrgani, jih takoj zamenjajte.

OBVESTILO: Nikoli ne uporabljajte bencina, razredčila, alkohola ali podobnega sredstva. V tem primeru se lahko orodje razbarva ali deformira oziroma lahko nastanejo razpoke.

VARNO in ZANESLJIVO delovanje tega izdelka bo zagotovljeno le, če boste popravila, vzdrževanje in nastavitve prepustili pooblaščenemu servisu za orodja Makita ali tovarniškemu osebju, ki vgrajuje izključno originalne nadomestne dele.

Odstranjevanje filtrske enote

⚠ POZOR: Počakajte približno 5 minut, da se prah v posodi popolnoma posede.

⚠ POZOR: Med odstranjevanjem filtrske enote pazite, da prah ne uide v pokrov posode.

Filtrska enota je pritrjena na glavno enoto. Sestavljena je iz zgornje plošče, predfiltru, dušilnikov in filtrov za prah.

1. Sprostite zapahe in dvignite glavno enoto s posode.
2. Odstranite filtrsko enoto z glavne enote, kot je prikazano na sliki.

► **SI.37:** 1. Zapah 2. Filtrska enota

Odstranjevanje filtra za prah in predfiltra

Primite gumb in odstranite filtre z zgornje plošče.

► **SI.38:** 1. Zgornja plošča 2. Filtri 3. Gumb

Da preprečite, da bi prah letel po zraku, je priporočljivo, da filtre odstranite v polietilenski vrečki.

Ko prenašate filtrsko enoto, da bi jo očistili, dobro zavezite polietilensko vrečko.

► **SI.39:** 1. Filtrska enota 2. Polietilenska vrečka

► **SI.40:** 1. Zgornja plošča 2. Filtri 3. Polietilenska vrečka

Čiščenje filtra za prah, predfiltra in dušilnika

Občasno očistite filtre in dušilnik. Zamašeni filtri in dušilnik lahko zmanjšajo zmogljivost sesanja.

Redno čistite nabran prah na filtrih in dušilniku.

Občasno operite filter za prah, predfilter in dušilnik v vodi, jih sperite in pred uporabo temeljito posušite v senci. Nikoli jih ne smete prati v pralnem stroju.

► **SI.41**

OPOMBA: Ne drgnite in praskajte filtra za prah, predfiltra ali dušilnika s trdimi predmeti, npr. krtačo ali lopatico.

OPOMBA: Filtri se sčasoma izrabijo. Priporočamo, da imate pri roki rezervne filtre.

Nameščanje filtra za prah in predfiltra

OBVESTILO: Filter za prah in predfilter lahko pobereta suh in moker prah. Preverite, ali se senzorji za raven vode ustrezno aktivirajo, da preprečite poškodbe filtra za prah.

Zatakните robove filtrske enote na zgornjo ploščo in nato pritisnite gumb.

► **SI.42:** 1. Rob 2. Gumb

OBVESTILO: Pred uporabo filtra za prah se prepričajte, ali sta predfilter in dušilnik vedno uporabljena skupaj. Ni dovoljeno namestiti le filtra za prah.

Sestavljanje filtrov

Če so filtri dobavljeni ločeno, jih sestavite, kot je prikazano na sliki.

► **SI.43:** 1. Filter za prah 2. Dušilnik 3. Predfilter

Nameščanje filtrske enote

Ko namestite filtre na zgornjo ploščo, natakните odprtine na filtrski enoti na dele v obliki črke U na notranjem pokrovu. Nato pritisnite zapahe, kot je prikazano na sliki.

► **SI.44:** 1. Del v obliki črke U 2. Odprtina 3. Zapah

Nameščanje filtra za vodo

Dodatna oprema

OBVESTILO: Pri pobiranju mokrega prahu se prepričajte, da se senzorji za raven vode pravilno aktivirajo.

OBVESTILO: Če uporabljate filter za vodo, ne uporabljajte pred filtra in dušilnika.

Če želite pobirati le vodo ali moker prah, je filter za vodo primernejši od filtra za prah in pred filtra.

Filter za vodo namestite na zgornjo ploščo, enako kot filter za prah in pred filter.

► **SI.45**

OPOMBA: Če večkrat pobirate večje količine vode, je priporočena uporaba filtra za vodo. Če namesto tega uporabljate filter za prah in pred filter, se lahko zmo-gljivost sesanja zmanjša.

Čiščenje senzorjev za raven vode

Senzorji za raven vode zaznajo tekočino, ko je posoda polna vode. Ko menjate filtre, očistite senzorje za raven vode z mehko krpo.

► **SI.46:** 1. Senzor za raven vode

Shranjevanje pripomočkov

Dodatno opremo in priključke, ki jih ne uporabljate, na primer šobe, cevi in pokrovček, lahko obesite na kavelj na zadnjem delu sesalnika.

► **SI.47:** 1. Dodatna oprema in priključki, ki jih ne uporabljate 2. Pokrovček

Cevi (z izbirnim omejevalnikom) lahko položite v držalo cevi, kadar za kratek čas prenehate uporabljati sesalnik.

► **SI.48:** 1. Omejevalnik (dodatna oprema) 2. Držalo cevi

Cev lahko v velikih zankah ovijete okoli ohišja ali ročaja sesalnika in jo tako shranite. Povežite oba konca cevi, da ustvarite zanke, nato pa jih zatakните na dvignjen ročaj. Lahko tudi pustite fiksni konec cevi v vhodu in obesite zanke na večnamenski kavelj, tako da je zrahljani konec cevi sklenjen.

► **SI.49**

► **SI.50**

DODATNA OPREMA

⚠ POZOR: Ta dodatni pribor ali pripomočki so predvideni za uporabo z orodjem Makita, ki je opisano v teh navodilih za uporabo. Pri uporabi drugega pribora ali pripomočkov obstaja nevarnost telesnih poškodb. Dodatni pribor ali pripomočke uporabljajte samo za navedeni namen.

Za več informacij o dodatni opremi se obrnite na najbližji pooblaščen servis za orodja Makita.

- Cev
- Sprednje manšete (22, 24, 38)
- Ravna cev
- Kotna šoba
- Okrogla krtača
- Filter za prah M, H (HEPA)
- Dušilnik
- Predfilter
- Filter za vodo
- Sklop šob
- Upognjena cev
- Polietilenska vrečka
- Filtrirna vrečka
- Pokrovček
- Originalna akumulator in polnilnik Makita
- Brezžična enota
- MAKPAC

OPOMBA: Nekateri predmeti na seznamu so lahko priloženi orodju kot standardna dodatna oprema. Lahko se razlikujejo od države do države.

PARALAJMËRIM

- Kjo makineri nuk është synuar të përdoret nga persona apo fëmijë me aftësi fizike, ndijore ose mendore të kufizuara, ose që kanë mungesë të përvojës ose të njohurive.
- Fëmijët duhet të mbikëqyren për t'u siguruar se nuk luajnë me fshesën.
- Shihni kapitullin "SPECIFIKIMET" për referencën e llojit të baterisë.
- Shihni seksionin "Instalimi apo heqja e kutisë së baterisë" për mënyrën e heqjes apo të instalimit të baterisë.
- Kur hidhni kutinë e baterisë, hiqeni nga vegla dhe hidhni në një vend të sigurt. Zbatoni rregulloret lokale rreth hedhjes së baterisë.
- Nëse vegla nuk përdoret për një periudhë të gjatë kohe, bateria duhet të hiqet nga vegla.
- Mos bëni lidhje të shkurtër me kutinë e baterisë.
- Shihni kapitullin "MIRËMBAJTJA" për detajet e duhura të masave të kujdesit gjatë mirëmbajtjes nga përdoruesi.

SPECIFIKIMET

Modeli:		VC006GM
Vëllimi maksimal i ajrit në fund të tubit	Me zorrë BL4050F, ø28 mm x 3,5 m	2,0 m ³ /min
	Me zorrë BL4050F, ø38 mm x 2,5 m	3,7 m ³ /min
Vëllimi maksimal i ajrit në turbinë (me BL4050F)		4,9 m ³ /min
Vakumi (me BL4050F)		18 kPa
Kapaciteti i rikuperueshëm	Pluhur	40 L
	Ujë	30 L
Përmasat (GJ x T x L)		586 mm x 385 mm x 598 mm
Tensioni nominal		D.C. 72 V - 80 V maks.
Pesha neto		18,4 - 20,8 kg
Shkalla e mbrojtjes		IPX4

- Për shkak të programit tonë të vazhdueshëm të kërkim-zhvillimit, specifikimet që jepen këtu mund të ndryshojnë pa dhënë njoftim.
- Specifikimet mund të ndryshojnë nga njëri shtet në tjetrin.
- Pesha nuk përfshin aksesorët, por kutinë(të) e baterisë. Kombinimet e peshës më të lehtë dhe të rëndë të pajisjes dhe kutisë së baterisë tregohen në tabelë.

Kutia e aplikueshme e baterisë dhe karikuesi

Kutia e baterisë	BL4020 / BL4025 / BL4040* / BL4050F* / BL4080F* * : Bateria e rekomanduar
Karikuesi	DC40RA / DC40RB / DC40RC

- Disa prej kutive të baterive dhe karikuesve të renditura më lart mund të mos jenë të disponueshme në varësi të zonës ku ju banoni.

▲ PARALAJMËRIM: Përdorni vetëm kutitë e baterisë dhe karikuesit e listuar më lart. Përdorimi i karikuesve dhe kutive të tjera të baterisë mund të shkaktojë lëndim dhe/ose zjarr.

Simbolet

Pjesët në vazhdim tregojnë simbolet që mund të përdoren për pajisjen. Sigurohuni që merrni vesh kuptimin e tyre përpara përdorimit.



Lexoni manualin e përdorimit.



Tregoni kujdes dhe vëmendje të veçantë.



Paralajmërimi! Fshesa mund të përmbajë pluhura të rrezikshme.



Mos hipni kurrë mbi fshesë.



Mos fusni kurrë asgjë më të rëndë se 20 kg (44 lbs) në fshesë.



Kategoria e pluhurit M (mesatare): për veçimin e pluhurit me një vlerë limit ekspozimi profesional jo më pak se 0,1 mg/m³. Fshesat janë të afta të thithin pluhur të kategorisë L dhe M. Ndëqin rregullat e vendit tuaj mbi pluhurat dhe shëndetin dhe sigurinë gjatë punës.



Vetëm për shtetet e BE-së
Për shkak të pranisë së komponentëve të rrezikshëm në pajisje, mbetjet e pajisjeve elektronike dhe elektrike, akumulatorët dhe bateritë, mund të kenë ndikim negativ në mjedis dhe në shëndetin e njerëzve.
Mos i hidhni pajisjet elektrike dhe elektronike ose bateritë me mbetjet shtëpiake!
Në përputhje me Direktivën Evropiane për mbetjet e pajisjeve elektrike dhe elektronike, akumulatorët dhe baterive, dhe mbetjet e akumulatorëve dhe baterive, si dhe përfshirjen e saj në ligjin kombëtar, mbetjet e pajisjeve elektrike dhe elektronike, akumulatorëve dhe baterive, duhet të mbahen veçmas dhe të dorëzohen në një pikë grumbullimi të veçantë për mbetjet komunale, duke vepruar në përputhje me rregulloret e mbrojtjes së mjedisit.
Kjo tregohet nga simboli i koshit të plehrave me kryq, të vendosur mbi pajisje.

Përdorimi i suar

Pajisja është prodhuar për thithjen e pluhurave të njoma dhe të thata. Pajisja është e përshtatshme për përdorim tregtar, për shembull në hotele, shkolla, spitale, fabrika, dyqane, zyra dhe biznese qiradhënëse.

Zhurma

Niveli tipik i zhurmës A, i matur sipas EN60335-2-69: Niveli i presionit të zhurmës (L_{pA}): 70 dB (A) ose më pak Pasiguria (K): 2,5 dB (A)

Niveli i zhurmës mund të tejkalojë 80 dB (A).

SHËNIM: Vlerat e deklaruar totale të emetimeve të zhurmës janë matur sipas një metode standarde testimi dhe mund të përdoren për të krahasuar një vegël me një tjetër.

SHËNIM: Vlerat e deklaruar të emetimeve të zhurmës mund të përdoren për një vlerësim paraprak të ekspozimit.

▲ PARALAJMËRIM: Mbani mbrojtëse për veshët.

▲ PARALAJMËRIM: Emetimet e zhurmës gjatë përdorimit aktual të veglës elektrike mund të ndryshojnë nga vlerat e deklaruar në varësi të mënyrave sesi përdoret vegla, veçanërisht nga lloji i materialit të punës që përdoret.

▲ PARALAJMËRIM: Vërtetoni që masat e sigurisë për mbrojtjen e përdoruesit bazohen në vlerësimin e ekspozimit ndaj kushteve aktuale të përdorimit (duke marrë parasysh të gjitha pjesët e ciklit të funksionimit si ato kur pajisja është e fikur dhe punon pa prerë ashtu edhe kohën e përdorimit).

Dridhja

Vlera totale e dridhjeve (shuma e vektorit me tre akse) përcaktohet sipas EN60335-2-69: Emetimi i dridhjeve ($a_{h, M}$): 2,5 m/s² ose më pak Pasiguria (K): 1,5 m/s²

SHËNIM: Vlerat e deklaruar totale të dridhjeve janë matur sipas një metode standarde testimi dhe mund të përdoren për të krahasuar një vegël me një tjetër.

SHËNIM: Vlerat e deklaruar totale të dridhjeve mund të përdoren për një vlerësim paraprak të ekspozimit.

▲ PARALAJMËRIM: Emetimet e dridhjeve gjatë përdorimit aktual të veglës elektrike mund të ndryshojnë nga vlerat e deklaruar në varësi të mënyrave sesi përdoret vegla, veçanërisht nga lloji i materialit të punës që përdoret.

▲ PARALAJMËRIM: Vërtetoni që masat e sigurisë për mbrojtjen e përdoruesit bazohen në vlerësimin e ekspozimit ndaj kushteve aktuale të përdorimit (duke marrë parasysh të gjitha pjesët e ciklit të funksionimit si ato kur pajisja është e fikur dhe punon pa prerë ashtu edhe kohën e përdorimit).

Deklarata e konformitetit me KE-në

Vetëm për shtetet evropiane

Deklarata e konformitetit me KE-në përfshihet si Shtojca A në këtë manual përdorimi.

PARALAJMËRIME SIGURIE

Paralajmërimet për sigurinë e fshesës

▲ PARALAJMËRIM: E RËNDËSISHME LEXONI ME KUJDES të gjitha paralajmërimet dhe udhëzimet PARA PËRDORIMIT. Mosbatimi i paralajmërimeve dhe udhëzimeve mund të rezultojë në goditje elektrike, zjarr dhe/ose lëndim serioz.

1. Para përdorimit, sigurohuni që kjo fshesë të përdoret nga persona që janë udhëzuar siç duhet mbi përdorimin e kësaj fshese.
2. Para përdorimit, përdoruesve u jepen informacione, udhëzime dhe trajnim për përdorimin e makinerisë dhe për substancat me të cilat duhet përdorur, duke përfshirë metodën e sigurt të heqjes dhe hedhjes së materialeve të mbledhura.
3. Nëse jashtë del shkumë/lëng, fikeni menjëherë.
4. Pastroni rregullisht pajisjen e kufizimit të nivelit të ujit dhe kontrollojeni për shenja dëmtimi.
5. Sigurohuni gjithnjë që filtrat të jenë instaluar saktë përpara përdorimit. Mos e përdorni fshesën pa vendosur filtrat. Zëvendësoni menjëherë filtrat e dëmtuar. Rekomandohet që të mbani disa rezerva pasi filtrat janë artikuj që konsumohen.
6. **SHMANGNI NDEZJEN E PAQËLLIMSHME.** Sigurohuni që çelësi të jetë në pozicionin FIKUR kur të instaloni baterinë(të).
7. Mos provoni të thithni materiale të ndezshme, fishekzjarrë, cigare të ndezura, hi të nxehtë, copa të nxehta metali, materiale të mprehta si brisqe, age, qelq të thyer ose të ngjashme.
8. **MOS E PËRDORNI ASNJËHERË FSHESËN PRANË BENZINËS, GAZIT, BOJËS, LËNDËVE NGJITËSE OSE SUBSTANCIVE TË TJERA SHPËRTHYESE.** Çelësi lëshon shkëndija kur është NDEZUR dhe FIKUR. Kështu bën edhe komutatori i motorit gjatë përdorimit. Mund të shkaktohet një shpërthim i rrezikshëm.
9. Mos thithni kurrë material toksike, kancerogjene, të djegshme ose të rrezikshme, si asbesti, arseniku, bariumi, beriliumi, plumbi, pesticidet ose materiale të tjera të rrezikshme për shëndetin.
10. Gjithmonë vendoseni fshesën në një sipërfaqe të sheshtë horizontale për të parandaluar rrëzimin ose lëvizjen e saj në mënyrë aksidentale.
11. Mos e përdorni kurrë fshesën jashtë kur bie shi.
12. Për Finlandën, kjo makineri nuk duhet të përdoret në ambiente të brendshme në temperaturë të ulët.
13. Mos përdorni burime që janë pranë nxehtësisë (soba etj.).
14. Nëse ajri që del kthehet në dhomë, është e nevojshme që të lejohet një normë e përshtatshme shkëmbimi e ajrit në dhomë. Është e nevojshme t'u referoheni rregulloreve kombëtare.
15. Mos bllokoni fole në thithjes/daljen/tubat e ftohjes. Këta tuba mundësojnë ftohjen e motorit. Duhet treguar kujdes për të shmangur bllokimin, përndryshe motori do të digjet për shkak të mungesës së ventilimit.
16. Mbani në çdo moment këmbët në pozicionin e duhur dhe ruani ekuilibrin.
17. Mos e palosni, tërhiqni ose shkëlqni tubin.
18. Ndalojeni menjëherë fshesën nëse vëreni performancë të dobët ose diçka anormale gjatë përdorimit.
19. **HIQNI BATERINË(TË).** Kur nuk është në punë, para shërbimit dhe kur ndërroni aksesorët.
20. Pastroni dhe bëjini shërbim fshesës menjëherë pas çdo përdorimi për ta mbajtur në gjendje sa më të mirë pune.
21. **MIRËMBAJENI FSHESËN ME KUJDES.** Mbajeni fshesën të pastër për performancë më të mirë e më të sigurt. Ndihni udhëzimet për ndërrimin e aksesorëve. Mbajini dorezat të thata, të pastra dhe pa vaj dhe graso.
22. **KONTROLLONI PJESËT E DËMTUARA.** Para përdorimit të mëtejshëm të fshesës, mbrojtëset ose pjesët e tjera të dëmtuara duhen kontrolluar me kujdes për të përcaktuar nëse do të funksionojnë siç duhet dhe nëse do të kryejnë funksionin e synuar. Kontrolloni centrimin e pjesëve lëvizëse, lidhjen e pjesëve lëvizëse, dëmtimin e pjesëve, montimin dhe ndonjë rrethanë tjetër që mund të ndikojë te përdorimi i saj. Mbrojtëset ose pjesët e tjera që janë dëmtuar duhen riparuar siç duhet ose duhen zëvendësuar nga një qendër shërbimi e autorizuar, përveç rastit kur tregohet ndryshe në këtë manual përdorimi. Ndërroni çelësat me defekt në një qendër shërbimi të autorizuar. Mos e përdorni fshesën nëse çelësi nuk e ndez ose e fik.
23. Për shërbim nga përdoruesi, makineria duhet të çmontohet, pastrohet dhe shërbehet, për aq sa është logjikisht praktike, pa shkaktuar rrezik për personelin e mirëmbajtjes dhe të tjerët.
24. Makineria duhet të inspektohet teknikisht të paktën një herë në vit nga prodhuesi ose nga një person i trajnuar, që konsiston, për shembull, në inspektimin e filtrave për dëmtime, të izolimit të ajrit të makinerisë dhe të funksionit të duhur të mekanizmit të kontrollit.
25. Kur kryeni shërbime apo riparime, duhen hedhur të gjitha materialet e ndotura të cilat nuk mund të pastrohen siç duhet; këto materiale duhen hedhur në qese të papërshkueshme sipas rregulloreve aktuale të hedhjes së mbeturinave të tilla.
26. **PJESËT E KËMBIMIT.** Kur bëni shërbim, përdorni vetëm pjesë këmbimi identike.
27. **RUAJTJA E FSHESËS KUR NUK ËSHTË NË PUNË.** Kur nuk është në punë, fshesa duhet ruajtur në një ambient të brendshëm.
28. Filtrat e lagur dhe pjesa e brendshme e enës së lëngut duhet të thahet përpara magazinimit.
29. Trajtojeni fshesën me kujdes. Trajtimi pa kujdes mund të shkaktojë thyerje edhe te fshesat më të forta.
30. Mos provoni të pastroni pjesën e jashtme ose të brendshme me benzinë, hollues ose kimikate pastrimi. Mund të shkaktohen krisje ose çngjyrimë.
31. Mos e përdorni fshesën në hapësirë të mbyllur ku bojërat me vaj, holluesit e bojës, benzina, disa substanca kundër molës etj. mund të lëshojnë avuj të ndezshëm, shpërthyes ose helmues ose në vende ku ka prani pluhuri të ndezshëm.
32. Mos e përdorni këtë vegël ose asnjë vegël tjetër kur jeni nën ndikimin e drogave ose alkoolit.

33. Si rregull sigurie bazë, përdorni gjithmonë syze mbrojtëse ose syze sigurie me mbrojtëse anësore.
34. Përdorni maskë kundër pluhurit në ambiente pune me pluhur.
35. Kjo makineri nuk është synuar të përdoret nga persona apo fëmijë me aftësi fizike, ndijore ose mendore të kufizuara, ose që kanë mungesë të përvojës ose të njohurive.
36. Fëmijët duhet të mbikëqyren për t'u siguruar se nuk luajnë me fshesën.
37. Mos e prekni kurrë baterinë(të) apo fshesën me duar të njoma.
38. Tregoni kujdes maksimal kur pastroni shkallët.
39. Mos e përdorni fshesën si stol ose si bankë. Pajisja mund të rrezohet dhe mund të shkaktohet lëndim personal.

Përdorimi dhe kujdesi për veglën me bateri

1. Ngarkojeni vetëm me ngarkuesin e specifikuar nga prodhuesi. Ngarkuesi që është i përshtatshëm për një lloj pakete baterie mund të shkaktojë rrezik zjarri kur përdoret me një paketë tjetër baterie.
2. Përdorini veglat elektrike vetëm me paketat e baterisë të përcaktuara në mënyrë specifike. Përdorimi i paketave të tjera të baterisë mund të paraqesë rrezik lëndimi dhe zjarri.
3. Kur paketa e baterisë nuk përdoret, mbajeni larg nga objektet e tjera metalike, si kapëset e letrave, monedhat, çelësat, gozhdët, vidat ose objektet e tjera metalike të vogla që mund të bëjnë lidhje nga njëri terminal tek tjetri. Krijimi i lidhjes së shkurtër ndërmjet terminaleve të baterisë mund të shkaktojë djegie ose zjarr.
4. Në kushte sforcimi mund të dalë lëng nga bateria; shmangni kontaktin. Nëse aksidentalisht ndodh kontakt, shpëlani me ujë. Nëse lëngu bie në kontakt me sytë, kërkoni edhe ndihmën e mjekut. Lëngu i dalë nga bateria mund të shkaktojë acarim ose djegie.
5. Mos e përdorni një kuti baterie apo vegël që është e dëmtuar ose e modifikuar. Bateritë e dëmtuara ose të modifikuara mund të shfaqin sjellje të paparashikueshme që rezultojnë në zjarr, shpërthime apo rrezik plagosjeje.
6. Mos e ekspozoni kutinë e baterisë ose veglën në zjarr ose ndaj temperaturave ekstreme. Ekspozimi ndaj zjarrit ose temperaturave mbi 130 °C mund të shkaktojë shpërthim.
7. Ndiqni të gjitha udhëzimet e karikimit dhe mos e karikoni kutinë e baterisë ose veglën jashtë kufijve të temperaturës të specifikuar të udhëzimit. Karikimi i pasaktë ose në temperatura jashtë kufijve të specifikuar mund të dëmtojë baterinë dhe të rrisë rrezikun e zjarrit.

RUAJINI KËTO UDHËZIME.

▲ PARALAJMËRIM: MOS lejoni që njohja ose familjarizimi me produktin (të fituara nga përdorimi i shpeshtë) të zëvendësojnë zbatimin me përpikëri të rregullave të sigurisë për produktin në fjalë. KEQPËRDORIMI ose mosndjekja e rregullave të sigurisë të dhëna në këtë manual përdorimi mund të shkaktojë dëmtime të rënda personale.

Udhëzime të rëndësishme rreth sigurisë për kutinë e baterisë

1. Përpara se ta përdorni kutinë e baterisë, lexoni të gjitha udhëzimet dhe shënimet e masave parandaluese të (1) ngarkuesi i baterisë, (2) bateria dhe (3) produkti që përdor baterinë.
2. Mos e çmontoni ose dëmtoni kutinë e baterisë. Kjo mund të shkaktojë zjarr, nxehtësi të lartë ose shpërthim.
3. Nëse koha e përdorimit është shkurtuar jashtë mase, ndalojeni punën menjëherë. Kjo mund të rezultojë në rrezik mbinxehjeje, djegie të mundshme, madje edhe shpërthim.
4. Nëse ju futen elektrolite në sy, shpëlajini sytë me ujë të pastër dhe kërkoni ndihmë mjekësore menjëherë. Kjo gjithë mund të rezultojë në humbje të shikimit.
5. Mos bëni lidhje të shkurtër me kutinë e baterisë:
 - (1) Mos i prekni terminalet me materiale përcjellëse.
 - (2) Shmangni ruajtjen e kutisë së baterisë në një kuti me objekte të tjera metalike, si gozhdë, monedha etj.
 - (3) Mos e ekspozoni kutinë e baterisë në ujë ose shi.
 Qarku i shkurtër i baterisë mund të shkaktojë qarkullim të madh të rrymës elektrike, mbinxehje, djegie të mundshme dhe madje prishje.
6. Mos e ruani dhe mos e përdorni pajisjen dhe kutinë e baterisë në vende ku temperatura mund të arrijë ose tejkalojë 50 °C (122 °F).
7. Mos e digjni kutinë e baterisë, edhe nëse është shumë e dëmtuar ose është konsumuar plotësisht. Kutia e baterisë mund të shpërthejë në zjarr.
8. Mos e shpioni, pritni, shtypni, hidhni apo rrëzoni kutinë e baterisë ose ta goditni kutinë e baterisë me një objekt të fortë. Një sjellje e tillë mund të shkaktojë zjarr, nxehtësi të lartë ose shpërthim.
9. Mos përdorni bateri të dëmtuar.
10. Bateritë e përfshira të litiumit, u nënshtrohen kërkesave të legjislacionit për mallrat e rrezikshme. Për transport tregtar p.sh. nga palë të treta, agjentët të ndërmjetëm, duhet të ndiqen kërkesa specifike mbi paketimin dhe etiketimin. Për përgatitjen e artikullit për transport, është i nevojshëm konsultimi i një eksperti për materiale të rrezikshme. Ju lutemi, ndiqni gjithashtu rregulloret me gjasë më të detajuara vendore. Mbuloni me ngjitëse ose maskoni kontaktet e zhveshura dhe paketojeni baterinë në mënyrë të tillë që të mos lëvizë në paketim.
11. Kur hidhni kutinë e baterisë, hiqeni nga vegla dhe hidhjeni në një vend të sigurt. Zbatoni rregulloret lokale rreth hedhjes së baterisë.
12. Përdorini bateritë vetëm me produktet e specifikuar nga Makita. Instalimi i baterive në produkte të papajtueshme mund të rezultojë në zjarr, nxehtësi të lartë, shpërthim ose rrjedhje të elektroliteve.
13. Nëse vegla nuk përdoret për një periudhë të gjatë kohe, bateria duhet të hiqet nga vegla.

14. Gjatë dhe pas përdorimit, kutia e baterisë mund të nxehtë, gjë që mund të shkaktojë djegie ose djegie në temperaturë të ulët. Tregoni kujdes gjatë manovrimit të kutive të nxehta të baterive.
15. Mos prekni terminalin e veglës menjëherë pas përdorimit pasi mund të nxehtë aq shumë sa të shkaktojë djegie.
16. Mos lejoni që grumbullimin e ashklave, pluhurave ose papastërtive në terminalet, vrimat ose kanalet e kutisë së baterisë. Mund të shkaktojë ngrohje, marrje flakë, plasje dhe avari të veglës ose të kutisë së baterisë, duke rezultuar në djegie ose lëndime personale.
17. Përveç kur vegla e mbështet përdorimin pranë linjave elektrike me voltazh të lartë, mos e përdorni kutinë e baterisë pranë linjave elektrike me voltazh të lartë. Kjo mund të shkaktojë një defekt ose dëmtim të veglës ose të kutisë së baterisë.
18. Mbajeni baterinë larg fëmijëve.

RUAJINI KËTO UDHËZIME.

▲KUJDES: Përdorni vetëm bateri origjinale Makita. Përdorimi i baterive jo-origjinale Makita ose baterive që mund të jenë modifikuar, mund të rezultojë në marrjen flakë të baterisë, lëndime personale apo dëmtime. Kjo do të anulohet gjithashtu edhe garancinë e Makita-s për veglën e Makita-s dhe ngarkuesin.

Këshilla për të ruajtur jetëgjatësinë maksimale të baterisë

1. Ngarkojeni baterinë përpara se të shkarkohet plotësisht. Gjithmonë ndaloni punën me pajisjen dhe ngarkoni baterinë kur vëreni ulje të fuqisë së pajisjes.
2. Asnjëherë mos e ringarkoni baterinë e ngarkuar plotësisht. Mbingarkimi shkurton jetëgjatësinë e shërbimit të baterisë.
3. Ngarkojeni baterinë në temperaturën e dhomës në 10 °C - 40 °C. Lëreni kutinë e nxehtë të baterisë të ftohet përpara se ta ngarkoni atë.
4. Kur nuk e përdorni kutinë e baterisë, hiqeni atë nga vegla ose karikuesi.
5. Ngarkojeni baterinë nëse nuk e përdorni për një kohë të gjatë (mbi gjashtë muaj).

Udhëzime të rëndësishme rreth sigurisë për njësinë me valë

1. Mos e hapni kurrë kapakun e folesë të vetëm pas instalimit të njësisë me valë.
2. Mos e çmontoni ose dëmtoni njësinë me valë.
3. Mbajeni njësinë me valë larg fëmijëve të vegjël. Nëse gëlltitet aksidentalisht, kërkoni menjëherë kujdes mjekësor.
4. Përdoreni njësinë me valë vetëm me vegla "Makita".
5. Mos e ekspozoni njësinë me valë në shi ose në kushte me lagështirë.
6. Mos e përdorni njësinë me valë në vende ku temperatura tejkalon 50 °C.
7. Mos e përdorni njësinë me valë në afërsi të instrumenteve mjekësore, si p.sh. stimuluës kardiakë.
8. Mos e përdorni njësinë me valë në afërsi të pajisjeve të automatizuara. Nëse përdoret, pajisjet e automatizuara mund të shkaktojnë keqfunksionim ose gabim.
9. Mos e përdorni njësinë me valë në vende që janë nën temperaturë të lartë ose në vende ku mund të gjenerohet elektricitet statik apo zhurmë elektrike.
10. Njësia me valë mund të prodhojë fusha elektromagnetike (EMF), por që nuk janë të dëmshme për përdoruesin.
11. Njësia me valë është një instrument i saktë. Bëni kujdes që të mos e rrëzoni ose ta godisni njësinë me valë.
12. Shmangni prekjen e terminalit të njësisë me valë me duar të zhveshura apo me materiale metalike.
13. Hiqeni gjithmonë baterinë në produkt kur instaloni njësinë me valë në të.
14. Kur hapni kapakun e folesë, shmangni vendin ku pluhuri dhe uji mund të hyjnë në fole. Mbajeni hyrjen e folesë gjithmonë të pastër.
15. Vendoseni gjithmonë njësinë me valë në drejtimin e duhur.
16. Butonin e aktivizimit të lidhjes me valë në njësinë me valë mos e shtypni fort dhe/ose me objekt me majë të mprehtë.
17. Gjatë përdorimit mbyllni gjithmonë kapakun e folesë.
18. Mos e hiqni njësinë me valë nga foleja ndërsa vegla po furnizohet me energji. Në të kundërt, mund të shkaktohet keqfunksionim i njësisë me valë.
19. Mos e hiqni etiketën në njësinë me valë.
20. Mos vendosni etiketa në njësinë me valë.
21. Mos e lini njësinë me valë në një vend ku mund të gjenerohet elektricitet statik apo zhurmë elektrike.
22. Mos e lini njësinë me valë në një vend ku i nënshtrohet nxehtësisë së lartë, si p.sh. në një makinë të parkuar nën diell.
23. Mos e lini njësinë me valë në një vend me pluhur ose grimca të vogla apo në një vend ku mund të gjenerohet gaz gjërryes.
24. Ndryshimi i papritur të temperaturës mund të vesojë njësinë me valë. Mos e përdorni njësinë me valë derisa vesa të jetë tharë plotësisht.
25. Kur pastroni njësinë me valë, fshijeni lehtë me një leckë të butë e të thatë. Mos përdorni benzinë, hollues, graso përcjellëse apo të ngjashme.
26. Gjatë ruajtjes, vendoseni njësinë me valë në kasën e dhënë ose në një enë pa elektricitet statik.
27. Në fole të vegjël mos vendosni pajisje të tjera të ndryshme nga njësia me valë "Makita".
28. Mos e përdorni veglën me kapakun e folesë të dëmtuar. Uji, pluhuri dhe papastërtitë që hyjnë në fole mund të shkaktojnë keqfunksionim.
29. Mos e tërhiqni dhe/ose rrotulloni kapakun e folesë më shumë seç nevojitet. Rivendoseni kapakun nëse hiqet nga vegla.
30. Ndërroni kapakun e folesë nëse humbet apo dëmtohet.

RUAJINI KËTO UDHËZIME.

PËRSHKRIMI I PUNËS

▲ KUJDES: Sigurohuni gjithmonë që pajisja të jetë e fikur dhe kutitë e baterive të jenë hequr përpara se ta rregulloni apo të kontrolloni funksionet e pajisjes.

Instalimi ose heqja e kutisë së baterisë

▲ KUJDES: Fikeni gjithmonë veglën përpara se të instaloni ose hiqni kutinë e baterisë.

▲ KUJDES: Mbajeni fort fshesën dhe kutinë e baterisë kur montoni ose hiqni kutinë e baterisë. Mosmbajtja fort e fshesës dhe e kutisë së baterisë mund të bëjë që t'ju rrëshqasin nga duart dhe të shkaktojë dëmtim të fshesës dhe të kutisë së baterisë, si dhe lëndim personal.

▲ KUJDES: Bëni kujdes që të mos zini gishtat kur të hapni ose mbyllni kapakun e baterisë. Moskryerja e këtij veprimi mund të shkaktojë lëndim personal.

Për të instaluar kutinë e baterisë, lironi në fillim bllokuesin dhe më pas hapni kapakun e baterisë. Pas kësaj, fusni kutinë e baterisë.

► **Fig.1:** 1. Bllokuesi 2. Kapaku i baterisë

Bashkërenditni gjuhëzën e kutisë së baterisë me kanalën e folesë dhe rrëshqiteni për ta futur. Futeni deri në fund, derisa të kërcasë dhe të bllokohet në vend. Më pas kyçni kapakun e baterisë.

► **Fig.2:** 1. Kutia e baterisë 2. Butoni

Për të hequr kutinë e baterisë, rrëshqiteni atë nga vegla ndërsa rrëshqisni butonin në pjesën e përparme të kutisë së baterisë.

▲ KUJDES: Gjithmonë instalojeni plotësisht kutinë e baterisë. Në të kundërt, ajo mund të bjerë aksidentalisht nga fshesa duke ju lënduar juve ose personin pranë jush.

▲ KUJDES: Mos e vendosni me forcë kutinë e baterisë. Nëse kutia nuk hyn lehtë, nuk po e futni siç duhet.

SHËNIM: Pastruesi nuk punon vetëm me një kuti baterie.

Treguesi i kapacitetit të mbetur të baterive

Shtypni butonin e kontrollit në kutinë e baterisë për të treguar kapacitetin e mbetur të baterisë. Llambat treguese ndizen për pak sekonda.

► **Fig.3:** 1. Llambat treguese 2. Butoni i kontrollit

Llambat treguese			Kapaciteti i mbetur
Ndezur	Fikur	Duke pulsuar	
			75% deri 100%
			50% deri 75%
			25% deri 50%
			0% deri 25%
			Ngarkojeni baterinë.
			Llambushka mund të ketë keqfunksionuar.

SHËNIM: Në varësi të kushteve të përdorimit dhe të temperaturës së ambientit, treguesi mund të ndryshojë paksa nga kapaciteti aktual.

SHËNIM: Llamba e parë e treguesit (në fund majtas) do të pulsojë kur sistemi i mbrojtjes së baterisë është në punë.

Treguesit e baterive në panelin e kontrollit

Kapaciteti i mbetur i baterisë mund të lexohet në çdo kohë në panelin e kontrollit. Shtypni butonin e kontrollit dhe treguesit e majtë dhe të djathtë do të tregojnë nivelet përkatëse të karikimit të baterive.

► **Fig.4:** 1. Treguesi i baterisë së majtë 2. Treguesi i baterisë së djathtë 3. Butoni i kontrollit

► **Fig.5**

Gjendja e treguesit të baterisë			Kapaciteti i mbetur i baterisë
Ndezur	Fikur	Duke pulsuar	
			50% deri 100%
			20% deri 50%
			0% deri 20%
			Ngarkojeni baterinë
			Nuk është futur bateria

SHËNIM: Treguesi i baterisë punon kur futen të dy bateritë.

SHËNIM: Treguesit e baterisë do të aktivizohen gjithashtu gjatë funksionimit të fshesës.

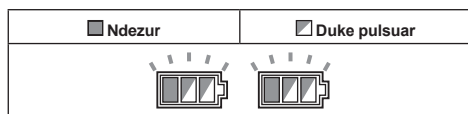
Sistemi i mbrojtjes së pajisjes / baterisë

Pajisja është e pajisur me një sistem për mbrojtjen e pajisjes/baterisë. Ky sistem ndërpret automatikisht energjinë në motor për të zgjatur jetëgjatësinë e pajisjes dhe baterisë. Pajisja do të ndalojë automatikisht gjatë punës nëse pajisja ose bateria janë vendosur sipas një prej kushteve të mëposhtme:

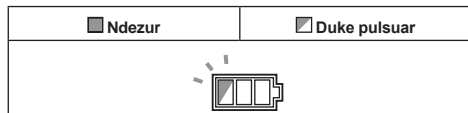
Mbrojtja nga mbingarkesa

Kur pajisja/bateria vihet në punë në një mënyrë që e bën atë të tërheqë një korrent më të lartë nga normalja, pajisja fiket automatikisht. Në këtë situatë, fikeni pajisjen dhe ndaloni përdorimin që shkaktoi mbingarkesën e pajisjes. Pastaj ndizeni pajisjen për ta rinisur.

Mbrojtja ndaj mbinxehjes



Kur pajisja mbinxehet, ajo ndalon automatikisht dhe pulsojnë të dy treguesit e baterisë së majtë dhe të djathtë. Në këtë situatë, lëreni pajisjen të ftohet dhe pastrojini filtrat përpara se ta ndizeni sërish.



Kur bateria mbinxehet, ajo ndalon automatikisht dhe pulson njëri prej treguesve për baterinë e mbinxehur. Në këtë situatë, lëreni baterinë të ftohet përpara se ta ndizeni sërish pajisjen.

Mbrojtja nga mbishkarkimi

Kur kapaciteti i baterisë ulet, pajisja ndalon automatikisht. Nëse pajisja nuk funksionon kur përdoret çelësi, hiqni bateritë nga pajisja dhe karikojini.

Mbrojtjet nga shkaqe të tjera

Sistemi i mbrojtjes është menduar edhe për shkaqe të tjera që mund ta dëmtojnë pajisjen dhe i lejon pajisjes të ndalojë automatikisht. Ndërmerrni të gjitha hapat e mëposhtëm për të zgjidhur rastet, kur pajisja ka arritur në ndalim të përkohshëm apo ndërprerje të punës.

1. Fikeni pajisjen dhe pastaj rindizeni për të rifilluar.
2. Karikoni bateritë ose ndërrojni me bateri të karikuara.
3. Lëreni pajisjen dhe bateritë të ftohen.

Nëse nuk vini re ndonjë përmirësim me rivendosjen e sistemit të mbrojtjes, kontaktoni qendrën vendore të shërbimit të Makita.

Veprimi i ndërrimit

Ndezja e fshesës

1. Kthejeni çelësin e pritjes në pozicionin "I" (NDEZUR) ose "AUTO" (NDEZUR) për ta pasur fshesën gati në modalitet pritjeje.
2. Shtypni butonin e energjisë. Për ta kthyer në modalitetin e pritjes, shtypni sërish butonin e energjisë.

Fikja e fshesës

Kryeni njërin nga hapat e mëposhtëm.

- Shtypni butonin e energjisë për ta vendosur sërish fshesën në regjim pritjeje.
- Kthejeni çelësin e pritjes në pozicionin "O" (FIKUR).

Rregullimi i fuqisë thithëse

Forca thithëse mund të rregullohet sipas nevojës suaj të punës.

- Kthejeni në të majtë dorezën e rregullimit të forcës së thithjes për të ulur fuqinë thithëse.
- Kthejeni në të djathtë dorezën e rregullimit të forcës së thithjes për të ngritur fuqinë thithëse.

Zgjedhja e diametrit të tubit

Rrotulloni çelësin e zgjedhjes së diametrit të tubit sipas diametrit të tubit që do të përdorni.

SHËNIM: Mos e rrotulloni çelësin duke e lënë në hapësirat midis numrave. Gjithmonë rrotullojeni çelësin sipas diametrit të tubit.

- **Fig.6:** 1. Çelësi i pushimit 2. Çelësi i rregullimit të forcës së thithjes 3. Çelësi i zgjedhjes së diametrit të tubit 4. Butoni i energjisë

VINI RE: Gjithmonë vendoseni çelësin e pushimit në anën "O" kur fshesa nuk përdoret për një kohë të gjatë. Fshesa konsumon energji gjatë gjendjes së pushimit.

Sinjali akustik paralajmërues

Ka dy lloje tingujsh akustikë sinjalizues. Njëri është me sinjale akustike të shkurtra dhe tjetri të vazhdueshme.

- Kur shpejtësia e rrymës së ajrit bie nën 20 m/s, fshesa lëshon sinjale të shkurtra paralajmëruese akustike për arsye sigurie. Kur të tingëllojë, kontrolloni çelësin e zgjedhjes së diametrit të tubit ose nëse forca e thithjes është shumë e ulët. Nëse sinjalet vazhdojnë, kryeni mirëmbajtjen ose kërkoni informacion në qendrën lokale të shërbimit.
- Kur depozita mbushet plot me lëng, fshesa lëshon sinjale paralajmëruese akustike të vazhdueshme dhe ndalon automatikisht. Pas ndalimit të fshesës, fikni fshesën dhe pastroini depozitën.

Ndalimi i thithjes automatike gjatë punës së thithjes së njomë

▲ PARALAJMËRIM: Mos thithni shkumë ose lëng sapuni. Mund të shkaktojë daljen e shkumës nga dalja e ajrit. Përdorimi i vazhduar në këto kushte mund të shkaktojë goditje elektrike dhe prishje të fshesës.

Kur thithet më shumë ujë se ç'duhet, fshesa ka një mekanizëm që parandalon hyrjen e ujit në motor. Kur depozita është mbushur plot me lëng, fshesa lëshon sinjale paralajmëruese akustike të vazhdueshme dhe ndalon automatikisht. Pas ndalimit të fshesës, fikni fshesën dhe pastroini depozitën.

Sistemi i pastrimit të filtrit

Kjo pajisje ka një sistem pastrimi të filtrit të instaluar. Gjatë përdorimit të pajisjes, sistemi i pastrimit të filtrit pastron automatikisht filtrat nga pluhuri për të parandaluar rënien e forcës thithëse për shkak të bllokimit të filtrave.

Nëse pajisja thith njëherësh sasi të madhe pluhuri, forca thithëse mund të bjerë. Në raste të tilla rekomandohet pastrimi manual i filtrit.

1. Fikeni pajisjen.
 2. Caktoteni fuqinë thithëse në maksimum dhe pastaj mbylleni grykën e zorrës së thithjes me pëllëmbë.
 3. Ndizeni pajisjen dhe vëreni në punë për rreth 15 sekonda me grykën e zorrës thithëse të mbyllur.
- **Fig.7:** 1. Gryka e zorrës së thithjes

SHËNIM: Vëllimi i ajrit mund të ndryshojë kur aktivizohet sistemi i pastrimit të filtrit, por nuk ka avari.

Shkarkimi i ujit

Kur depozita është plot me lëng, fikeni fshesën dhe hapni kapakun e shkarkimit të ujit për të zbrazur depozitën.

► **Fig.8:** 1. Kapaku i shkarkimit të ujit

Kapaku

Kapaku vjen me pajisjen. Vendosja e kapakut në folenë lidhëse të zorrës parandalon daljen e pluhurave të thithura nga fshesa.

► **Fig.9:** 1. Kapaku

Kyçja dhe shkyçja e rotave

Rrotat e parme mund të kyçen me ndalues për të ndihmuar ndalimin e fshesës.

Uleni me dorë nivelin e ndaluesit për të kyçur rrotën dhe ngrijeni për ta lëshuar.

► **Fig.10:** 1. Rrota 2. Leva e ndaluesit 3. Pozicioni I LIRË 4. Pozicioni I BLOKUAR

SHËNIM: Kur lëvizni fshesën, sigurohuni që rrota të mos jetë e bllokuar. Lëvizja e fshesës me rrotën në pozicion të kyçur mund të shkaktojë dëmtimin e rrotës.

Doreza e transportimit

▲KUJDES: Ngrijeni dhe mbajeni pajisjen me kujdesin e duhur. Nëse nuk veprohet kështu mund të rezultojë në lëndim të personit ose dëmtim të pajisjes.

Kur ngrini fshesën, ngrijeni duke e mbajtur në dorezën e sipërme të njësisë kryesore. Doreza mund të futet sërish në njësinë kryesore kur nuk është në përdorim.

► **Fig.11**

Është e vështirë ta mbani të vetëm pajisjen, ndaj mbajeni dy vetë bashkë sipas figurës.

► **Fig.12**

► **Fig.13**

MONTIMI

▲PARALAJMËRIM: Kjo njësi mund të përbajë pluhura të rrezikshme. Përdorni gjithmonë një respirator P2 kur zëvendësoni elementet e filtrave dhe qeset e pluhurit ose në rast mirëmbajtjeje.

▲KUJDES: Përpara se të kryeni ndonjë punë në pajisje, sigurohuni gjithmonë që pajisja të jetë e fikur dhe kutitë e baterisë të jenë hequr.

Vendosja dhe heqja e qeses së filtrit

▲PARALAJMËRIM: Përdorni gjithmonë një respirator P2.

▲PARALAJMËRIM: Para se të përdorni një qese filtri, sigurohuni që njësia e filtrit të përdoret së bashku. Nëse nuk e përdorni bashkë me njësinë e filtrit, mund të shkaktohet zhurmë dhe nxehtësi e pazakontë, që mund të rezultojë në zjarr.

▲PARALAJMËRIM: Kur e përdorni pajisjen në pluhur të kategorisë M, sigurohuni të përdorni qesen e filtrit.

VINI RE: Mos thithni kurrë ujë, lëngje të tjera apo pluhura të njomë kur përdorni qese filtri. Thithja e sendeve të tilla mund të shkaktojë çarjen e qeses së filtrit.

1. Lirojini kapëset e fiksimit dhe ngrijeni njësinë kryesore duke e hequr nga depozita.

► **Fig.14:** 1. Kapësja e fiksimit

2. Shpalojeni një qese filtri.

3. Drejtoni vrimën e qeses së filtrit me vrimën e hyrjes së pluhurit të depozitës.

4. Fusi kartonin e qeses së filtrit brenda në vegël në mënyrë që të jetë e pozicionuar në fund, përtej pjesës së dalë të dhëmbëzuar.

► **Fig.15:** 1. Qesja e filtrit 2. Vrima e kartonit 3. Mbjajtësja e qeses së filtrit 4. Hyrja e pluhurit 5. Konturi

Kur ta hiqni qesen filtër, tërhiqni skajin në folenë e qeses së filtrit në mënyrë që foleja të mbyllet me një letër.

Instalimi i qeses së polietilenit

Aksesorë opsionalë

Vendosni një qese polietileni mbi depozitë dhe kaloni njërën anë të skajit të sipërm të qeses në anën e saj të hapur midis pllakës mbajtëse dhe murit të parme të depozitës.

Në vijim, hapini konturet e tjera të sipërme të qeses për jashtë mbi buzët e sipërme të depozitës.

Me qesen e filtrit mund të përdoret qese polietileni.

► **Fig.16:** 1. Pllaka e mbajtëses 2. Muri i parme i depozitës 3. Qese polietileni

SHËNIM: Mund të përdoret një qese polietileni që gjendet në treg. Rekomandohet një me trashësi mbi 0,04 mm dhe perimetër mbi 2 000 mm.

SHËNIM: Nëse ka shumë pluhur, qesja e polietilenit çahet lehtë ndaj mos e tejmushni. Hedhja e qeses së rëndë mund të jetë e vështirë për trupin e njeriut.

Zbrazja e depozitës me qese polietileni

⚠ PARALAJMËRIM: Përpara zbrazjes së depozitës, sigurohuni gjithmonë që fshesa të jetë e fikur dhe kutitë e baterisë të jenë hequr. Moskryerja e këtij veprimi mund të shkaktojë goditje elektrike dhe lëndim të rëndë personal.

VINI RE: Zbrazni depozitën të paktën një herë në ditë, edhe pse kjo varet nga vëllimi i pluhurit të mbledhur në depozitë. Përndryshe, forca thithëse do të dobësohet dhe motori mund të prishet.

VINI RE: Mos e kapni nga kapëset e fiksimit kur zbrazni depozitën. Kapja nga kapëset e fiksimit mund t'i thyejë.

1. Lirojini kapëset e fiksimit dhe ngrijeni njësinë kryesore duke e hequr nga depozita.
 2. Hiqeni qesen e polietilenit nga depozita, duke e mbyllur hapjen e qeses me dorë.
- **Fig.17:** 1. Qese polietileni 2. Depozita

SHËNIM: Nxirreni qesen e polietilenit me kujdes nga depozita që të mos gërvishet dhe grisët nga skajet brenda depozitës.

SHËNIM: Zbrazeni qesen e polietilenit përpara se të mbushet. Pluhuri i tepërt në depozitë mund të grisë qesen e polietilenit.

Vendosja e zorrës

VINI RE: Mos e përkulni ose shtypni tubin me forcë. Mos e lëvizni kurrë fshesën duke e tërhequr nga zorra. Përkulja, shtypja dhe tërheqja e tubit mund të shkaktojë dëmtimin ose deformimin e tubit.

VINI RE: Kur thithni mbeturina të mëdha si tallash, pluhur betoni ose mbeturina të tjera të ngjashme me përmasa jo të vogla, përdorni tubin me diametër të brendshëm prej 38 mm (aksesor opsional). Përdorimi i tubit me diametër të brendshëm prej 28 mm (aksesor opsional) mund të shkaktojë bllokimin dhe dëmtimin e tubit.

VINI RE: Vini gjithmonë kapakun në follenë e montimit sa herë të hiqni tubin nga fshesa.

Lidhja me fshesën

Hiqni kapakun nga porta e montimit. Kapakun mund ta mbani në pjesën e pasme të fshesës ndërsa është futur tubi në fshesë.

► **Fig.18:** 1. Kapaku

Futni fundin e zorrës në hyrjen e pluhurit (hyrja e zorrës) të fshesës, pastaj kthejeni në drejtim orar derisa të puthitet në vend.

► **Fig.19:** 1. Zorra 2. Hyrja e pluhurit (hyrja e zorrës)

Lidhjet me veglat tuaja të punës (Sipas shtetit)

Duke e lidhur fshesën me korrent me veglat e mundshme të punës që mbështetin fshesën, ajo funksionon edhe si nxjerrës pluhuri për veglat tuaja elektrike.

Zgjidhni një nga unazat apo xhuntot e përparme (aksesorë opsionale) si më të përshtatshme për modelin e veglës tuaj. Vendosini unazat apo xhuntot, sipas nevojës, midis skajit ballor të zorrës së fshesës dhe një foleje nxjerrëse të veglës tuaj.

► **Fig.20:** 1. Unazat e parme ose xhuntoja 2. Zorra e fshesës 3. Vegla elektrike 4. Fshesa me korrent

Vendosja ose heqja e aksesorëve të fshesës

⚠ KUJDES: Pas montimit të një aksesorit, kontrollojeni nëse është montuar mirë. Nëse aksesorit nuk është montuar mirë, ai mund të dalë dhe të shkaktojë lëndim të personit.

Kur përdorni aksesorin pa funksionin e kyçjes

Aksesorë opsionalë

Futni një aksesor në hyrjen e thithjes së fshesës, duke e shtyrë dhe vidhosur me dorë në vend.

Përdridhni dorën dhe shkëputeni aksesorin nga hyrja e thithjes pas përdorimit.

► **Fig.21**

Instalimi i MAKPAC

Aksesorë opsionalë

⚠ KUJDES: Mos qëndroni dhe mos u ulni mbi pajisje. Mund të rrezohet për shkak të paqëndrueshmërisë.

⚠ KUJDES: Bëni kujdes me punën kur keni instaluar MAKPAC. Nëse nuk veprohet kështu mund të rezultojë në lëndim të personit ose dëmtim të pajisjes.

⚠ KUJDES: Kur instalohet MAKPAC në pajisje, mos e ngrini me dorezën e MAKPAC.

⚠ KUJDES: Kur e lëvizni pajisjen ku është instaluar MAKPAC, mos e shtyni nga MAKPAC, por nga trupi i pajisjes. Nëse e shtyni nga MAKPAC mund të thyeni kapëset dhe MAKPAC t'ju bjerë, duke shkaktuar lëndime.

Kasat ruajtëse me lidhje dhe stivim MAKPAC mund të vendosen mbi fshesë. Kasat ofrohen në shumë madhësi dhe stile për t'iu përshtatur preferencave tuaja.

1. Hapini kapëset në sipërfaqen e sipërme të fshesës.

► **Fig.22:** 1. Kapësja

2. Montojni kasat MAKPAC mbi fshesë dhe fiksojini me kapëse.

► **Fig.23:** 1. Kapësja 2. MAKPAC

Lartësia dhe pesha maksimale e instalimit të MAKPAC janë 315 mm dhe 20 kg përkatësisht.

► **Fig.24**

PËRDORIMI

▲ PARALAJMËRIM: Përdorni gjithmonë një respirator P2.

▲ KUJDES: Nëse nga pajisja del shukumë ose lëng, fikeni atë menjëherë. Vazhdimi i përdorimit në këto kushte mund të shkaktojë goditje elektrike dhe prishje të fshesës.

FUNKSIONI I AKTIVIZIMIT TË LIDHJES ME VALË

Aksesorë opsionalë

Çfarë mund të bëni me funksionin e aktivizimit të lidhjes me valë

Funksioni i aktivizimit të lidhjes me valë mundëson përdorim të pastër dhe të rehatshëm. Duke lidhur një mjet të mbështetur me fshesën, mund ta përdorni fshesën automatikisht bashkë me mekanizmin e funksionimit të veglës.

► Fig.25

VINI RE: Sigurohuni që t'i referoheni manualit të përdorimit të veglës kur përdorni fshesën me funksionin e aktivizimit me valë.

VINI RE: Mos e çmontoni ose dëmtoni njësinë me valë.

VINI RE: Për të parandaluar hyrjen e pluhurit në follenë e njësisë me valë, mbylleni gjithmonë kapakun mirë gjatë përdorimit dhe magazinimit.

VINI RE: Butonin e aktivizimit të lidhjes me valë mos e shtypni fort dhe/ose me objekt me majë të mprehtë.

SHËNIM: Aktivizimi me valë ka nevojë për vegla Makita të pajisura me njësi me valë.

SHËNIM: Përpara përdorimit fillestar të funksionit të aktivizimit me valë me secilën vegël, kërkohet regjistrimi i veglës. Pasi të përfundojë regjistrimi me veglën, nuk nevojitet regjistrimi për së dyti përveçse kur ai anulohet.

SHËNIM: Përpara regjistrimit, sigurohuni që njësia me valë të jetë futur siç duhet.

SHËNIM: Një njësi me valë mund të regjistrojë deri në 10 lidhje me njësitë e tjera me valë. Nëse janë regjistruar mbi 10 njësi të tjera me valë me një njësi me valë, njësia që është regjistruar më herët do të fshihet automatikisht.

SHËNIM: Pozicioni i butonit të aktivizimit me valë ndryshon në varësi të veglës.

SHËNIM: Fshesa gjithashtu ndizet duke shtypur butonin e energjisë kur çelësi i pushimit është vendosur në "AUTO".

Megjithatë, butoni i energjisë nuk do të aktivizojë kur përdoret funksioni i aktivizimit me valë.

Instalimi i njësisë me valë

▲ PARALAJMËRIM: Hapni kapakun kur instaloni njësinë me valë vetëm herën e parë. Mos e hapni më kapakun pas instalimit.

▲ KUJDES: Kur instaloni njësinë me valë, vendoseni fshesën në një sipërfaqe të sheshtë dhe të qëndrueshme.

VINI RE: Përpara se të instaloni njësinë me valë, pastroni pluhurin dhe papastërtitë në fshesë. Pluhuri ose papastërtitë mund të shkaktojnë keqfunksionim nëse hyjnë në follenë e njësisë me valë.

VINI RE: Për të parandaluar keqfunksionimin që shkaktohet nga elektriciteti statik, përpara se të ngrihi njësinë me valë, prekni një material që shkarkon elektricitetin statik, si p.sh. një pjesë metalike.

VINI RE: Kur instaloni njësinë me valë, sigurohuni gjithmonë që njësia me valë të jetë e vendosur në drejtimin e duhur dhe kapaku të jetë i mbyllur plotësisht.

1. Lironi vidën për të hapur kapakun në fshesë, siç tregohet në figurë.

► Fig.26: 1. Kapaku 2. Vida

2. Futni njësinë me valë në fole.

Kur vendosni njësinë me valë, bashkërenditni pjesët e dala me pjesët e futura në fole.

► Fig.27: 1. Njësia me valë 2. Pjesa e dalë 3. Kapaku 4. Pjesa e futur

3. Shtrengoni vidën plotësisht për të mbyllur kapakun.

Regjistrimi i veglës për fshesën

SHËNIM: Për regjistrimin e veglës nevojitet vegël Makita që mbështet funksionin e aktivizimit të lidhjes me valë.

SHËNIM: Përfundoni instalimin e njësisë me valë në vegël përpara se të nisni regjistrimin e veglës.

SHËNIM: Gjatë regjistrimit të veglës, mos e tërhiqni këmbëzën e çelësit në vegël ose mos ndizni çelësin e energjisë në fshesë.

SHËNIM: Gjithashtu, referojuni manualit të përdorimit të veglës.

Nëse dëshironi të aktivizoni fshesën bashkë me mekanizmin e funksionimit të veglës, kryeni paraprakisht regjistrimin e veglës.

1. Instaloni përkatësisht njësitë me valë në fshesë dhe në vegël.

2. Instaloni bateritë në fshesë dhe në vegël.

3. Vendoseni çelësin e pushimit në fshesë në "AUTO".

► Fig.28: 1. Çelësi i pushimit

4. Shtypni butonin e aktivizimit të lidhjes me valë në fshesë për 3 sekonda derisa llamba e aktivizimit të lidhjes me valë të pulsojë në të gjelbër. Më pas, në të njëjtën mënyrë shtypni butonin e aktivizimit të lidhjes me valë në vegël.

► **Fig.29:** 1. Butoni i aktivizimit të lidhjes me valë
2. Llamba e aktivizimit të lidhjes me valë

Nëse fshesa dhe vegla lidhen me sukses, llamba e aktivizimit të lidhjes me valë do të ndizet në të gjelbër për 2 sekonda dhe më pas do të fillojë të pulsojë në blu.

SHËNIM: Llamba e aktivizimit të lidhjes me valë përfundon pulsimin në të gjelbër pasi kalojnë 20 sekonda. Shtypni butonin e aktivizimit të lidhjes me valë në vegël ndërkohë që llamba e aktivizimit të lidhjes me valë në fshesë është duke pulsuar. Nëse llamba e aktivizimit të lidhjes me valë nuk pulson në të gjelbër, shtypni shkurtimisht butonin e aktivizimit të lidhjes me valë dhe mbajeni sërish pa lëvizur.

SHËNIM: Kur kryeni dy ose më shumë regjistrime të veglës për fshesën, përfundoni regjistrimin e veglës një nga një.

Nisja e funksionit të aktivizimit të lidhjes me valë

SHËNIM: Përfundoni regjistrimin e veglës për fshesën për aktivizimin e lidhjes me valë.

SHËNIM: Gjithmonë vendoseni fshesën në mënyrë të tillë që të mund të shikoni statusin e llambës së aktivizimit të lidhjes me valë.

SHËNIM: Gjithashtu, referojuni manualit të përdorimit të veglës.

Pas regjistrimit të veglës në fshesë, fshesa do të funksionojë automatikisht me mekanizmin e funksionimit të veglës.

1. Instaloni përkatësisht njësitë me valë në fshesë dhe në vegël.
 2. Instaloni bateritë në fshesë dhe në vegël.
 3. Lidhni tubin e fshesës me veglën.
- **Fig.30**

4. Vendoseni çelësin e pushimit në fshesë në "AUTO".

► **Fig.31:** 1. Çelësi i pushimit

5. Shtypni shkurtimisht butonin e aktivizimit të lidhjes me valë në vegël. Llamba e aktivizimit të lidhjes me valë do të pulsojë në blu.

► **Fig.32:** 1. Butoni i aktivizimit të lidhjes me valë
2. Llamba e aktivizimit të lidhjes me valë

6. Ndizni veglën. Kontrolloni nëse fshesa punon ndërkohë që mjeti është në punë.

▲KUJDES: Gjithmonë kontrolloni nëse funksioni i aktivizimit me valë funksionon përpara se të filloni punën me veglën.

Për të ndaluar aktivizimin e lidhjes me valë, shtypni butonin e aktivizimit të lidhjes me valë në vegël, ose vendosni çelësin e pushimit në pastrues në "I" ose "O".

SHËNIM: Llamba e aktivizimit të lidhjes me valë në vegël do të ndalojë pulsimin në blu kur nuk kryhet asnjë veprim për 2 orë. Në këtë rast, vendoseni çelësin e pushimit në fshesë në "AUTO" dhe shtypni sërish butonin e aktivizimit të lidhjes me valë në vegël.

SHËNIM: Fshesa ndizet/fiket me vonesë. Diktimi i mekanizmit të funksionimit të veglës nga fshesa kërkon pak kohë.

SHËNIM: Largësia e transmetimit të njësisë me valë mund të ndryshojë në varësi të vendndodhjes dhe kushteve të mjedisit përreth.

SHËNIM: Kur dy ose më shumë mjete regjistrohen me një fshesë, fshesa mund të fillojë të punojë edhe nëse nuk e ndizni mjetin sepse përdoruesi tjetër po përdor funksionin e aktivizimit me valë.

Anulimi i regjistrimit të veglës për fshesën

Kryeni procedurën e mëposhtme për anulimin e regjistrimit të veglës për fshesën.

1. Instaloni përkatësisht njësitë me valë në fshesë dhe në vegël.
 2. Instaloni bateritë në fshesë dhe në vegël.
 3. Vendoseni çelësin e pushimit në fshesë në "AUTO".
- **Fig.33:** 1. Çelësi i pushimit

4. Shtypni butonin e aktivizimit të lidhjes me valë në fshesë për 6 sekonda. Llamba e aktivizimit të lidhjes me valë pulson në të gjelbër dhe më pas bëhet e kuqe. Pas kësaj, në të njëjtën mënyrë shtypni butonin e aktivizimit të lidhjes me valë në vegël.

► **Fig.34:** 1. Butoni i aktivizimit të lidhjes me valë
2. Llamba e aktivizimit të lidhjes me valë

Nëse anulimi kryhet me sukses, llamba e aktivizimit të lidhjes me valë do të ndizet në të kuqe për 2 sekonda dhe më pas do të fillojë të pulsojë në blu.

SHËNIM: Llamba e aktivizimit të lidhjes me valë përfundon pulsimin në të kuqe pasi kalojnë 20 sekonda. Shtypni butonin e aktivizimit të lidhjes me valë në vegël ndërkohë që llamba e aktivizimit të lidhjes me valë në fshesë është duke pulsuar. Nëse llamba e aktivizimit të lidhjes me valë nuk pulson në të kuqe, shtypni shkurtimisht butonin e aktivizimit të lidhjes me valë dhe mbajeni sërish pa lëvizur.

Fshirja e të gjitha regjistrimeve të veglave

Ju mund t'i fshini të gjitha regjistrimet e veglave nga fshesa si vijon.

► **Fig.35:** 1. Çelësi i pushimit 2. Butoni i aktivizimit të lidhjes me valë 3. Llamba e aktivizimit të lidhjes me valë

1. Instaloni njësinë me valë në fshesë.
2. Instaloni bateritë te fshesa.
3. Vendoseni çelësin e pushimit në "AUTO".
4. Mbani shtypur butonin e aktivizimit të lidhjes me valë për rreth 6 sekonda derisa llamba e aktivizimit të lidhjes me valë të pulsojë në ngjyrë të kuqe (rreth dy herë për sekondë).

5. Kur llamba e aktivizimit të lidhjes me valë të pulsojë në ngjyrë të kuqe, lëshoheni gishtin nga butoni i aktivizimit të lidhjes me valë. Më pas, mbajeni shtypur sërish butonin e aktivizimit të lidhjes me valë për rreth 6 sekonda.











6. Kur llamba e aktivizimit të lidhjes me valë të pulsojë shpejt (rreth 5 herë në sekondë) në ngjyrë të kuqe, lëshoheni gishtin nga butoni i aktivizimit të lidhjes me valë. Kur llamba e aktivizimit të lidhjes me valë të ndizet në ngjyrë të kuqe dhe më pas dritat të fiken, janë fshirë të gjitha regjistrimet e veglës.

SHËNIM: Nëse llamba e aktivizimit të lidhjes me valë nuk pulson në të kuqe, shtypni shkurtimisht butonin e aktivizimit të lidhjes me valë dhe provojeni sërish.

Përshkrimi i statusit të llambës së aktivizimit të lidhjes me valë

► **Fig.36:** 1. Butoni i aktivizimit të lidhjes me valë
2. Llamba e aktivizimit të lidhjes me valë

Llamba e aktivizimit të lidhjes me valë tregon statusin e funksionit të aktivizimit të lidhjes me valë. Referojuni tabelës më poshtë për kuptimin e statusit të llambës.

Statusi	Llamba e aktivizimit të lidhjes me valë				Përshkrimi
	Ngjyra	 Ndezur	 Duke pulsuar	Kohëzgjatja (e përafërt)	
Pushim	Blu			Fshesa: në vazhdim Vegla: 2 orë	Në pritje për regjistrimin e veglës ose disponohet funksioni i aktivizimit të lidhjes me valë. Llamba në fshesë pulson kur çelësi i pushimit vendoset në AUTO. Llamba në vegël pulson kur shtypet butoni i aktivizimit të lidhjes me valë. Llamba në vegël do të fiket automatikisht nëse nuk kryhet asnjë veprim për 2 orë.
				Kur vegla është duke punuar.	Aktivizimi i lidhjes me valë i fshesës është i disponueshëm dhe vegla është duke punuar.
Regjistrimi i veglës	E gjelbër			20 sekonda	Gati për regjistrimin e veglës. Në kërkim të veglës që do të regjistrohet.
				2 sekonda	Regjistrimi i veglës ka përfunduar. Llamba e aktivizimit të lidhjes me valë do të fillojë të pulsojë në blu.
Anulimi/fshirja e regjistrimit të veglës	E kuqe	 (ngadalë: 2 herë/sek.)		20 sekonda	Gati për anulimin e regjistrimit të veglës. Në kërkim të veglës që do të anulohet.
		 (shpejt: 5 herë/sek.)		Kur butoni i aktivizimit të lidhjes me valë është i shtypur.	Gati për të fshirë të gjitha regjistrimet e veglave.
				2 sekonda	Regjistrimi i veglës është anuluar/fshirë. Llamba e aktivizimit të lidhjes me valë do të fillojë të pulsojë në blu.
Tjetër	E kuqe			3 sekonda	Njësia me valë po furnizohet me energji dhe funksioni i aktivizimit të lidhjes me valë po fillon.
	Fikur	-		-	Çelësi i pushimit nuk është vendosur në "AUTO".

Zgjidhja e problemeve për funksionin e aktivizimit të lidhjes me valë

Përpara se të kërkonti riparime bëni inspektimet tuaja. Nëse zbuloni ndonjë problem që nuk shpjegohet në manual, mos u mundtoni të çmontoni veglën. Por për riparime drejtojueni Qendrave të Autorizuara të Shërbimit Makita, duke përdorur gjithmonë pjesë zëvendësuese Makita.

Gjendja anormale	Shkaku i mundshëm (keqfunksionimi)	Zgjidhja
Llamba e aktivizimit të lidhjes me valë nuk ndizet/pulson.	Njësia me valë nuk është instaluar në fshesë dhe/ose vegël. Njësia me valë nuk është instaluar saktë në fshesë dhe/ose vegël.	Instaloni siç duhet njësinë me valë.
	Butoni i aktivizimit të lidhjes me valë në vegël nuk është shtypur.	Shtypni shkurtimisht butonin e aktivizimit të lidhjes me valë në vegël.
	Çelësi i pushimit në fshesë nuk është vendosur në "AUTO".	Vendoseni çelësin e pushimit në fshesë në "AUTO".
	Nuk ka furnizim me energji	Furnizoni me energji veglën dhe fshesën.
Regjistrimi i veglës / anulimi i regjistrimit të veglës nuk kryhet me sukses.	Njësia me valë nuk është instaluar në fshesë dhe/ose në vegël. Njësia me valë është instaluar në mënyrë të papërshtatshme në fshesë dhe/ose në vegël.	Instaloni siç duhet njësinë me valë.
	Çelësi i pushimit në fshesë nuk është vendosur në "AUTO".	Vendoseni çelësin e pushimit në fshesë në "AUTO".
	Nuk ka furnizim me energji	Furnizoni me energji veglën dhe fshesën.
	Përdorim i pasaktë	Shtypni shkurtimisht butonin e aktivizimit të lidhjes me valë dhe kryeni sërish procedurat e regjistrimit/anulimit të regjistrimit të veglës.
	Vegla dhe fshesa janë larg njëra-tjetrës (jashtë rrezes së transmetimit).	Sillni veglën dhe fshesën më pranë njëra-tjetrës. Largësia maksimale e transmetimit është afërsisht 10 m, megjithatë mund të ndryshojë në varësi të rrethanave.
	Përpara kryerjes së regjistrimit/anulimit të regjistrimit të veglës; - çelësi i mjetit është i aktivizuar ose; - butoni i energjisë në fshesë është i aktivizuar.	Shtypni shkurtimisht butonin e aktivizimit të lidhjes me valë dhe kryeni sërish procedurat e regjistrimit/anulimit të regjistrimit të veglës.
	Procedurat e regjistrimit të veglës për veglën apo fshesën nuk kanë përfunduar.	Kryeni njëkohësisht procedurat e regjistrimit të veglës për veglën dhe për fshesën.
	Çrregullimet e radiofrekuencave nga pajisjet e tjera që gjenerojë radiovalë me intensitet të lartë.	Mbani veglën dhe fshesën larg nga pajisje të tilla si pajisje me Wi-Fi dhe furra me mikrovalë.
Fshesa nuk funksionon bashkë me mekanizmin e funksionimit të veglës.	Njësia me valë nuk është instaluar në fshesë dhe/ose vegël. Njësia me valë nuk është instaluar saktë në fshesë dhe/ose vegël.	Instaloni siç duhet njësinë me valë.
	Butoni i aktivizimit të lidhjes me valë në vegël nuk është shtypur.	Shtypni shkurtimisht butonin e aktivizimit të lidhjes me valë dhe sigurohuni që llamba e aktivizimit të lidhjes me valë po pulson në blu.
	Çelësi i pushimit në fshesë nuk është vendosur në "AUTO".	Vendoseni çelësin e pushimit në fshesë në "AUTO".
	Janë regjistruar mbi 10 vegla në fshesë.	Kryeni sërish regjistrimin e veglës. Nëse janë regjistruar mbi 10 vegla në fshesë, vegla që është regjistruar më herët do të fshihet automatikisht.
	Fshesa ka fshirë të gjitha regjistrimet e veglave.	Kryeni sërish regjistrimin e veglës.
	Nuk ka furnizim me energji	Furnizoni me energji veglën dhe fshesën.
	Vegla dhe fshesa janë larg njëra-tjetrës (jashtë rrezes së transmetimit).	Sillni veglën dhe fshesën më pranë njëra-tjetrës. Largësia maksimale e transmetimit është afërsisht 10 m, megjithatë mund të ndryshojë në varësi të rrethanave.
	Çrregullimet e radiofrekuencave nga pajisjet e tjera që gjenerojë radiovalë me intensitet të lartë.	Mbani veglën dhe fshesën larg nga pajisje të tilla si pajisje me Wi-Fi dhe furra me mikrovalë.

Gjendja anormale	Shkaku i mundshëm (keqfunksionimi)	Zgjidhja
Fshesa punon ndërkohë që mjeti nuk është në punë.	Përdorues të tjerë po përdorin funksionin e aktivizimit të lidhjes me valë të fshesës me veglat e tyre.	Çaktivizoni butonin e aktivizimit të lidhjes me valë të veglave të tjera ose anuloni regjistrimin e veglave të tjera.
Nuk mund të fshihen të gjitha regjistrimet e veglave në fshesë.	Shtypja e butonit të lidhjes me valë në vegël.	Shtypni butonin e lidhjes me valë në fshesë për të fshirë të gjitha regjistrimet e veglave.
	Çelësi i pushimit në fshesë nuk është vendosur në "AUTO".	Vendoseni çelësin e pushimit në fshesë në "AUTO".
	Butoni i aktivizimit të lidhjes me valë nuk është shtypur siç duhet.	Mbani shtypur butonin e aktivizimit të lidhjes me valë për më shumë se 6 sekonda dhe më pas lëshojeni kur llamba e aktivizimit të lidhjes me valë të pulsojë në ngjyrë të kuqe. Mbani sërish shtypur butonin e aktivizimit të lidhjes me valë më shumë se 6 sekonda derisa butoni i aktivizimit të lidhjes me valë të pulsojë me shpejtësi në ngjyrë të kuqe dhe më pas lëshojeni butonin.

MIRËMBAJTJA

▲ PARALAJMËRIM: Përdorni gjithmonë një respirator P2 gjatë mirëmbajtjes.

▲ KUJDES: Përpara se të përpiqeni të kryeni kontroll apo mirëmbajtje, sigurohuni gjithmonë që makineria të jetë fikur dhe që kutitë e baterive të jenë hequr.

▲ KUJDES: Duhet të kryhet një inspektim teknik, duke përfshirë inspektimin e filtrave, izolimin e ajrit dhe mekanizmin e kontrollit nga një person i trajnuar të paktën një herë në vit.

▲ KUJDES: Gjatë mirëmbajtjes, duhen hedhur të gjitha materialet e ndotura të cilat nuk mund të pastrohen siç duhet. Materiale të tilla duhet hedhur në qese të padepërtueshme sipas rregullave të shtetit tuaj.

▲ KUJDES: Pas punës në zona të rrezikshme, pjesa e jashtme e veglës duhet të pastrohet nga ndotja me fshesë me korrent dhe të fshihet me leckë ose të mbulohet me izolant para se ta nxirni nga zona e rrezikshme. Të gjitha pjesët e veglës duhet të konsiderohen si të ndotura kur nxirren nga zonat e rrezikshme dhe duhen bërë veprimet e posaçme për të parandaluar shpërndarjen e pluhurit.

▲ KUJDES: Ndërroni filtrat e kur bllokohen me pluhur ose nëse dyshoni se rendimenti i fshesës ka rënë.

▲ KUJDES: Kontrolloni periodikisht filtrat. Nëse ka çarje në filtra, ndërroni menjëherë.

VINI RE: Mos përdorni kurrë benzinë, benzinë pastrimi, hollues, alkool dhe të ngjashme. Mund të shkaktoni çngjyrosje, deformime ose krisje.

Për të ruajtur SIGURINË dhe QËNDRUESHMËRINË, riparimet dhe çdo mirëmbajtje apo rregullim tjetër duhen kryer nga qendrat e autorizuar të shërbimit ose të shërbimit të fabrikës të Makita-s, duke përdorur gjithnjë pjesë këmbimi të Makita-s.

Heqja e njësies së filtrit

▲ KUJDES: Prisni rreth 5 minuta në mënyrë që pluhuri në depozitë të zërë vend.

▲ KUJDES: Kur hiqni njësien e filtrit, bëni kujdes të mos lejoni futjen e pluhurit brenda kapakut të depozitës.

Njësia e filtrit është e montuar në njësien kryesore. Ajo përbëhet nga pllaka e sipërme, parafiltrat, damperat dhe filtrat e pluhurit.

1. Lirojini kapëset e fiksimit dhe ngrijeni njësien kryesore duke e hequr nga depozita.
2. Hiqni njësien e filtrit nga njësia kryesore siç tregohet në figurë.

► Fig.37: 1. Kapësja 2. Njësia e filtrit

Heqja e filtrit të pluhurit dhe e parafiltrit

Duke kapur çelësin hiqni filtrat nga pllaka e sipërme.

► Fig.38: 1. Pllaka e sipërme 2. Filtrat 3. Çelësi rrotullues

Për të parandaluar përhapjen e pluhurave në ajër, preferohet t'i hiqni filtrat në qesen e polietilenit. Kur e mbani njësien e filtrit për ta pastruar, lidhni mirë një qese polietileni.

► Fig.39: 1. Njësia e filtrit 2. Qese polietileni

► Fig.40: 1. Pllaka e sipërme 2. Filtrat 3. Qese polietileni

Pastrimi i filtrit të pluhurit, parafiltrit dhe damperit

Pastroni filtrat dhe damperin herë pas here. Bllokimi i filtrave dhe i damperit mund të sjellë rendiment të dobët në thithje.

Pastroni rregullisht pluhurin e grumbulluar të filtrave dhe damperin.

Me raste lajeni filtrin e pluhurit, parafiltrin dhe damperin në ujë, shpëljajini dhe thajini mirë në hije përpara përdorimit. Mos i lani kurrë në makinë larëse.

► Fig.41

SHËNIM: Mos i fërkoni dhe kruani filtrin e pluhurit, parafiltrin ose amortizatorin me objekte të forta si furçë apo me spatul.

SHËNIM: Filtrat konsumohen me kalimin e kohës. Rekomandohet që të mbani disa të tillë rezervë.

Instalimi i filtrit të pluhurit dhe i parafiltrit

VINI RE: Filtri i pluhurit dhe parafiltri mund të mbledhin pluhura të thatë dhe të njomë. Sigurohuni që sensorët e nivelit të ujit të aktivizohen siç duhet për të parandaluar prishjen e filtrit të pluhurit.

Kapini konturet e njësisë së filtrit në pllakën e sipërme dhe pastaj uleni çelësin.

► **Fig.42:** 1. Konturi 2. Çelësi rrotullues

VINI RE: Para se të përdorni filtrin e pluhurit, sigurohuni që parafiltri dhe amortizatori të përdoren gjithmonë së bashku. Nuk lejohet që të instaloni vetëm filtrin e pluhurit.

Montimi i filtrave

Kur i merrni filtrat veçmas, montojini sipas figurës.

► **Fig.43:** 1. Filtri i pluhurit 2. Amortizatori 3. Parafiltri

Instalimi i njësisë së filtrit

Pas instalimit të filtrave në pllakën e sipërme, kapini vrimat e njësisë së filtrit në pjesët me formë U-je të kapakut të brendshëm. Më pas fiksojeni kapësen sipas figurës.

► **Fig.44:** 1. Pjesa në formë U 2. Vrima 3. Kapësja

Instalimi i filtrit të ujit

Aksesorë opsionalë

VINI RE: Për mbledhjen e pluhurit të njomë, sigurohuni që sensorët e nivelit të ujit të aktivizohet siç duhet.

VINI RE: Mos e përdorni parafiltrin dhe damperin kur të përdorni filtrin e ujit.

Për të thithur vetëm ujë ose pluhur të njomë, filtri i ujit është më i përshtatshëm sesa filtri dhe parafiltri i pluhurit.

Kur instaloni filtrin e ujit, vendoseni në pllakën e sipërme njësoj si filtri dhe parafiltri i pluhurit.

► **Fig.45**

SHËNIM: Rekomandohet që të përdoret filtri i ujit kur thithen vazhdimisht sasi të mëdha uji. Përndryshe, kapaciteti i thithjes mund të reduktohet në rastin e filtrit dhe të parafiltrit të pluhurit.

Pastrimi i sensorëve të nivelit të ujit

Sensorët e nivelit të ujit diktojnë lëngun kur depozita mbushet plot me lëng. Pastrojini herë pas here sensorët e nivelit të ujit me një leckë të butë kur ndërroni filtrat.

► **Fig.46:** 1. Sensori i nivelit të ujit

Ruajtja e aksesorëve

Aksesorët dhe pjesët që nuk janë në përdorim, si p.sh. kokat, tubat dhe një kapak mund të varura në varësen në pjesën e pasme të fshesës.

► **Fig.47:** 1. Aksesorët dhe pjesët që nuk janë në përdorim 2. Kapaku

Tubat (me ndalues opsional të instaluar) mund të vendosen në mbajtësen e tubit kur fshesa nuk përdoret për një kohë të shkurtër.

► **Fig.48:** 1. Ndaluesi (aksesor opsional) 2. Mbajtësi i tubit

Një zorrë mund të mbështillet dhe ruhet përreth kasës ose dorezës së fshesës në leqe të mëdha. Lidhjeni të dy skajet bashkë për të bërë leqe dhe kapini leqet në dorezën e ngritur. Përndryshe mbajeni skajin e poshtëm të vendosur në hyrjen e zorrës dhe varini zorrët derisa të lidhet multigrepi me skajin e lirë.

► **Fig.49**

► **Fig.50**

AKSESORË OPSIONALË

▲KUJDES: Këta aksesorë ose shtojca rekomandohen për përdorim me veglën Makita të përcaktuar në këtë manual. Përdorimi i aksesorëve apo shtojcave të tjera ndryshe nga këto mund të përbëjë rrezik lëndimi. Aksesorët ose shtojcat përdorini vetëm për qëllimin e tyre të përcaktuar.

Nëse keni nevojë për më shumë të dhëna në lidhje me aksesorët, pyesni qendrën vendore të shërbimit të Makita-s.

- Tubi
- Unazat e përparme (22, 24, 38)
- Tubi i drejtë
- Hundëza me kënd
- Furça e rrumbullakët
- Filtri i pluhurit M, H (HEPA)
- Amortizatori
- Parafiltri
- Filtri i ujit
- Montimi i hundëzës
- Tubi i lakuar
- Qese polietileni
- Qesja e filtrit
- Kapaku
- Bateri dhe ngarkues original Makita
- Njësia me valë
- MAKPAC

SHËNIM: Disa artikuj të listës mund të përfshihen në paketën e veglës si aksesorë standardë. Ato mund të ndryshojnë nga njëri shtet në tjetrin.

ПРЕДУПРЕЖДЕНИЕ

- Този уред не е предназначен за използване от лица, включително и от деца, които са с намалени физически, сензорни или умствени възможности или нямат нужния опит и познания.
- Децата трябва да се наблюдават и да не се допуска да си играят с прахосмукачката.
- Вижте глава „СПЕЦИФИКАЦИИ“ за типовото обозначение на батерията.
- Вижте раздел „Поставяне и изваждане на акумулаторната батерия“ за начина на изваждане и поставяне на батерията.
- При изхвърляне на акумулаторната батерия я извадете от инструмента и я изхвърлете на подходящо място. Спазвайте местните разпоредби за изхвърляне на акумулаторни батерии.
- Ако инструментът няма да се използва продължително време, батерията трябва да се извади от него.
- Не давайте на късо акумулаторната батерия.
- Вижте глава „ТЕХНИЧЕСКО ОБСЛУЖВАНЕ“ за подробности за мерките за безопасност по време на техническо обслужване от потребителя.

СПЕЦИФИКАЦИИ

Модел:		VC006GM
Максимален дебит на въздуха в края на маркуча	C BL4050F, ø28 мм x 3,5 м маркуч	2,0 м ³ /мин
	C BL4050F, ø38 мм x 2,5 м маркуч	3,7 м ³ /мин
Максимален дебит на въздуха при турбината (с BL4050F)		4,9 м ³ /мин
Вакуум (с BL4050F)		18 kPa
Капацитет за многократно използване	Прах	40 л
	Вода	30 л
Размери (Д x Ш x В)		586 мм x 385 мм x 598 мм
Номинално напрежение		Постоянно напрежение 72 V – 80 V макс.
Нето тегло		18,4 – 20,8 кг
Степен на защита		IPX4

- Поради нашата непрекъсната научно-развойна дейност посочените тук спецификации могат да бъдат променени без предизвестие.
- Спецификациите може да са различни в различните държави.
- В теглото не са включени принадлежностите, а само акумулаторната(ите) батерия(и). В таблицата са показани най-леката и най-тежката комбинации за тегло на уреда и акумулаторната(ите) батерия(и).

Приложима акумулаторна батерия и зарядно устройство

Акумулаторна батерия	BL4020 / BL4025 / BL4040* / BL4050F* / BL4080F* *: Препоръчителна батерия
Зарядно устройство	DC40RA / DC40RB / DC40RC

- Някои от акумулаторните батерии и зарядните устройства, посочени по-горе, може да не са налични в зависимост от региона на местоживеење.

▲ПРЕДУПРЕЖДЕНИЕ: Използвайте само посочените по-горе акумулаторни батерии и зарядни устройства. Използването на други акумулаторни батерии и зарядни устройства може да причини нараняване и/или пожар.

СИМВОЛИ

По-долу са описани символите, които може да се използват за тази машина. Задължително е да се запознаете с техните значения, преди да пристъпите към работа.



Прочетете ръководството за експлоатация.



Необходимо е особено внимание.



Предупреждение! Прахосмукачката може да съдържа опасен прах.



Никога не стойте върху прахосмукачката.



Никога не слагайте нищо по-тежко от 20 кг (44 фунта) върху прахосмукачката.



Прах от клас M (среден): за отделяне на прах с гранична стойност на професионална експозиция не по-малка от $0,1 \text{ mg/m}^3$. Прахосмукачките могат да събират прах от клас L и M. Следвайте разпоредбите на Вашата държава относно праха и опазването на здравето и безопасността.



Само за страни от ЕС
Поради наличието на опасни компоненти в оборудването отпадъците от електрическо и електронно оборудване, акумулатори и батерии може да имат отрицателно въздействие върху околната среда и човешкото здраве.

Не изхвърляйте електрически и електронни уреди или батерии с битовите отпадъци!

Съгласно Европейската директива за отпадъците от електрическо и електронно оборудване и акумулатори и батерии и отпадъци от акумулатори и батерии и нейното адаптиране към националното законодателство, отпадъците от електрическо и електронно оборудване, батерии и акумулатори трябва да се събират отделно и да се доставят до отделен събирателен пункт за отпадъци, функциониращ съгласно наредбите за опазване на околната среда.

Това е указано чрез символ на зачертана с кръст кофа на колекца, поставен върху оборудването.

Предназначение

Уредът е предназначен за събиране както на влажен, така и на сух прах. Уредът е подходящ за промишлена употреба, например в хотели, училища, болници, заводи, магазини, офиси и помещения, отдавани под наем.

Шум

Обичайното ниво на шума с тегловен коефициент A, определено съгласно EN60335-2-69:

Ниво на звуково налягане (L_{pA}): 70 dB(A) или по-малко
Коефициент на неопределеност (K): 2,5 dB(A)

При работа нивото на шума може да превиши 80 dB (A).

ЗАБЕЛЕЖКА: Обявената(ите) стойност(и) на шумовите емисии $e(sa)$ измерена(и) в съответствие със стандартни методи за изпитване и може да се използва(т) за сравняване на инструменти.

ЗАБЕЛЕЖКА: Обявеното(ите) стойност(и) на шумови емисии може да се използва(т) също и за предварителна оценка на вредното въздействие.

▲ ПРЕДУПРЕЖДЕНИЕ: Използвайте предпазни средства за слуха.

▲ ПРЕДУПРЕЖДЕНИЕ: Нивото на шума при работа с електрическия инструмент може да се различава от обявената(ите) стойност(и) в зависимост от начина на използване на инструмента, по-специално какъв детайл се обработва.

▲ ПРЕДУПРЕЖДЕНИЕ: Задължително определете предпазни мерки за защита на оператора въз основа на оценка на риска в реални работни условия (като се вземат предвид всички етапи на работния цикъл, като например момента на изключване на инструмента, работата на празен ход, както и времето на задействане).

Вибрации

Общата стойност на вибрациите (сума от три осови вектора), определена съгласно EN60335-2-69:
Ниво на вибрациите (a_{hM}): $2,5 \text{ m/s}^2$ или по-малко
Коефициент на неопределеност (K): $1,5 \text{ m/s}^2$

ЗАБЕЛЕЖКА: Обявената(ите) обща(и) стойност(и) на вибрациите $e(sa)$ измерена(и) в съответствие със стандартни методи за изпитване и може да се използва(т) за сравняване на инструменти.

ЗАБЕЛЕЖКА: Обявената(ите) обща(и) стойност(и) на вибрациите може да се използва(т) също и за предварителна оценка на вредното въздействие.

▲ ПРЕДУПРЕЖДЕНИЕ: Нивото на вибрациите при работа с електрическия инструмент може да се различава от обявената(ите) стойност(и) в зависимост от начина на използване на инструмента, по-специално какъв детайл се обработва.

▲ ПРЕДУПРЕЖДЕНИЕ: Задължително определете предпазни мерки за защита на оператора въз основа на оценка на риска в реални работни условия (като се вземат предвид всички етапи на работния цикъл, като например момента на изключване на инструмента, работата на празен ход, както и времето на задействане).

ЕО декларация за съответствие

Само за европейските страни

ЕО декларацията за съответствие е включена като Анекс А към тази инструкция за употреба.

ПРЕДУПРЕЖДЕНИЯ ЗА БЕЗОПАСНОСТ

Предупреждения за безопасност за акумулаторната прахосмукачка

▲ ПРЕДУПРЕЖДЕНИЕ: ВАЖНО, ПРОЧЕТЕТЕ ВНИМАТЕЛНО всички предупреждения за безопасност и всички инструкции ПРЕДИ РАБОТА. При пренебрегване на предупрежденията и инструкциите има опасност от токов удар, пожар и/или тежко нараняване.

1. Преди употреба непременно се убедете, че тази прахосмукачка ще се ползва от хора, подходящо инструктирани за начина на работа с нея.
2. Преди употреба операторите трябва да бъдат снабдени с необходимата информация и инструкции и да бъдат обучени да работят с машината и веществата, за които тя трябва да се използва, включително да се запознаят с безопасен метод за отстраняване и изхвърляне на събрания материал.
3. Ако започне да излиза пяна или течност, незабавно изключете.
4. Почиствайте редовно устройството за ограничаване на нивото на водата и го проверявайте за признаци на повреда.
5. Преди употреба винаги проверявайте дали филтрите са поставени правилно. Не използвайте прахосмукачката без филтрите да са поставени на местата им. Сменяйте повредения филтър веднага. Препоръчва се да имате няколко резервни под ръка, тъй като филтрите са консуматив.
6. **ИЗБЯГВАЙТЕ СЛУЧАЙНО ПУСКАНЕ В ДЕЙСТВИЕ.** Уверете се, че превключателя е ИЗКЛ., когато поставяте акумулаторна(и) батерия(и).
7. Не се опитвайте да събирате запалими материали, фойерверки, запалени цигари, гореща пепел, горещи метални стружки и остри предмети като бръснари, игли, счупено стъкло и други подобни.
8. **НИКОГА НЕ ИЗПОЛЗВАЙТЕ ПРАХОСМУКАЧКАТА БЛИЗО ДО БЕНЗИН, ГАЗ, БОЯ, ЛЕПИЛА ИЛИ ДРУГИ СИЛНО ВЗРИВООПАСНИ ВЕЩЕСТВА.** При включване и изключване ключът изпуска искри. Това се отнася и за колектора на електромотора по време на работа. Това може да доведе до опасна експлозия.
9. Никога не почиствайте токсични, канцерогенни, горими или други опасни материали като азбест, арсен, барий, берилий, олово, пестициди или други материали, опасни за здравето.
10. Винаги поставяйте прахосмукачката върху хоризонтална равна повърхност, за да предотвратите падането ѝ или неволното ѝ преместване.
11. Никога не използвайте прахосмукачката на открито, докато вали.
12. За Финландия – тази машина не трябва да се използва на открито при ниска температура.
13. Не я използвайте близо до източници на топлина (печки и др.).
14. Ако излизаният от прахосмукачката въздух се връща в помещението, необходимо е да се осигури подходящ въздухообмен в помещението. Необходимо е да се направи справка с националните разпоредби.
15. Не блокирайте смукателните входящи/изходящи/охлаждащи отвори. Тези отвори позволяват охлаждане на електромотора. Запушването им трябва да се избягва, в противен случай електромоторът ще изгори поради липса на вентилация.
16. Стойте стабилно на краката си с добър баланс по всяко време.
17. Не прегъвайте, не влачете маркука и не стъпвайте върху него.
18. Спирайте прахосмукачката веднага, ако забележите, че работи лошо или не както обичайно.
19. **ИЗВАДЕТЕ АКУМУЛАТОРНАТА(ИТЕ) БАТЕРИЯ(И).** Когато не се използва, преди обслужване и при смяна на принадлежностите.
20. Почиствайте и обслужвайте прахосмукачката веднага след всяка употреба, за да бъде винаги в отлично работно състояние.
21. **ПОДДЪРЖАЙТЕ ГРИЖЛИВО ПРАХОСМУКАЧКАТА.** Поддържайте прахосмукачката чиста, за да работи по-добре и по-безопасно. Спазвайте указанията за смяна на принадлежностите. Поддържайте ръкохватките сухи и чисти – без масло и грес.
22. **ПРОВЕРЯВАЙТЕ ЗА ПОВРЕДЕНИ ЧАСТИ.** Преди да продължите да използвате прахосмукачката, повредено предпазно устройство или друга част трябва да бъдат проверени внимателно, за да се определи дали тя може да работи правилно и да изпълнява предназначението си. Проверявайте подравняването на движещите се части за огъване, повреди, монтаж или други условия, които могат да повлияят на функционирането им. Повредено предпазно устройство или друга повредена част трябва да се ремонтират правилно или да се сменят от оторизиран сервиз, освен ако не е указано нещо друго в този наръчник. Дефектните ключове трябва да се заменят в оторизиран сервиз. Не използвайте прахосмукачката, ако ключът не може да включва и изключва.
23. За извършвано от потребителя обслужване машината трябва да бъде разглобена, почистена и обслужена, доколкото е възможно, без извършващият поддръжката персонал и други лица да бъдат излагани на риск.
24. Най-малко веднъж годишно трябва да се извършва техническа проверка на машината от производителя или обучено лице, включваща например, проверка на филтрите за повреди, проверка на плътността на съединенията на машината и на правилното функциониране на механизма за управление.

25. При извършване на операции по техническо обслужване или ремонт всички замърсени елементи, които не могат да бъдат достатъчно добре почистени, трябва да бъдат изхвърлени, като се поставят в непропусащи торби в съответствие с всички действащи разпоредби за изхвърляне на такива отпадъци.
26. **РЕЗЕРВНИ ЧАСТИ.** При обслужване използвайте само идентични резервни части.
27. **СЪХРАНЕНИЕ НА ПРАХОСМУКАЧКАТА.** Когато не се използва, прахосмукачката трябва да се съхранява в закрито помещение.
28. Преди съхранение влажните филтри и вътрешната част на контейнера за течности трябва да се подсушат.
29. Отнасяйте се грижливо със своята прахосмукачка. Грубата работа може да предизвика повреда и на най-здраво конструирана прахосмукачка.
30. Не се опитвайте да я почиствате отвътре или отвън с бензин, разреждател или химикали за почистване. Това може да предизвика промяна на цвета или напукване.
31. Не използвайте прахосмукачката в затворено пространство, където има възпламеняеми, взривоопасни или токсични пари от боя на маслена основа, разреждател за боя, бензин, някои вещества за импрегниране и пр. или където има възпламеняем прах.
32. Не работете с този или с друг уред, ако сте под въздействие на наркотици или алкохол.
33. Основно правило е да ползвате очила за безопасна работа или очила, обезопасени странично.
34. При работа в запрашени места използвайте маска против прах.
35. Този уред не е предназначен за използване от лица, включително и от деца, които са с намалени физически, сензорни или умствени възможности или нямат нужния опит и познания.
36. Децата трябва да се наблюдават и да не се допуска да си играят с прахосмукачката.
37. Никога не пипайте акумулаторната(ите) батерия(и) или прахосмукачката с мокри ръце.
38. При почистване на стълби бъдете особено внимателни.
39. Не използвайте прахосмукачката за стъпване или като работна маса. Тя може да падне и да се предизвика нараняване.

Ползване и грижа за акумулаторните батерии

1. Презареждайте само със зарядното устройство, което е посочено от производителя. Зарядно устройство, което е подходящо за едни акумулаторни батерии, може да създаде риск от пожар, ако се използва с други акумулаторни батерии.
2. Използвайте електрическите инструменти само с акумулаторни батерии, конкретно предназначени за тях. Използването на други акумулаторни батерии може да създаде риск от нараняване и пожар.

3. Когато акумулаторните батерии не се използват, ги дръжте далече от други метални предмети като кламери, монети, ключове, пирони, винтове или други дребни такива, които могат да дадат накъсо изводите им. Закъсяването на изводите на акумулаторна батерия може да предизвика изгаряния или пожар.
4. При грубо манипулиране е възможно изхвърляне на течност от батериите; избягвайте контакт с тях. При случайно докосване изплакнете с вода. Ако течност попадне в очите, потърсете допълнително и медицинска помощ. Изхвърлената от батерията течност може да предизвика възпаления или изгаряния.
5. **Не използвайте батерията или инструмента, който е повреден или променен.** Повредените или променените батерии могат да проявяват непредвидимо поведение, което може да доведе до пожар, експлозия или опасност от нараняване.
6. **Не излагайте батерията или инструмента на огън или прекомерна температура.** Излагането на огън или температура над 130°C може да доведе до експлозия.
7. **Спазвайте всички инструкции за зареждане и не зареждайте батерията или инструмента извън диапазона на температура, посочен в инструкциите.** Неправилното зареждане или при температура извън посочения диапазон може да доведе до повреда на батерията и да повиши опасността от пожар.

ЗАПАЗТЕ НАСТОЯЩИТЕ ИНСТРУКЦИИ.

▲ПРЕДУПРЕЖДЕНИЕ: НЕ позволявайте комфорта от познаването на продукта (придобит при дългата му употреба) да замени стриктното спазване на правилата за безопасност за въпросния продукт. **НЕПРАВИЛНАТА УПОТРЕБА** и неспазването на правилата за безопасност, посочени в настоящото ръководство за експлоатация, може да доведе до тежки наранявания.

Важни инструкции за безопасност за акумулаторната батерия

1. Преди да използвате акумулаторната батерия, прочетете всички инструкции и предупредителни маркировки на (1) зарядното устройство за батериите, (2) за батериите и (3) за използващия батериите продукт.
2. **Не разгласявайте и не променяйте акумулаторната батерия.** Това може да предизвика пожар, прегряване или взрив.
3. **Ако мощността на машината намалее много, веднага спрете да работите.** Това може да доведе до риск от прегряване, до възможни изгаряния и даже до експлозии.
4. **Ако в очите ви попадне електролит, изплакнете ги с чиста вода и веднага потърсете лекарска помощ.** Това може да доведе до загуба на зрението ви.

5. **Не давайте на късо акумулаторните батерии:**
 - (1) **Не докосвайте клемите с проводими материали.**
 - (2) **Избягвайте съхраняването на акумулаторните батерии в контейнер с други метални предмети като пирони, монети и други подобни.**
 - (3) **Не излагайте акумулаторните батерии на вода или дъжд.**

Закъсяването на акумулаторна батерия може да доведе до протичане на много силен ток, до прегряване, до възможни изгаряния и даже до разпадане на батерията.
6. **Не съхранявайте и не използвайте инструмента и акумулаторните батерии на места, където температурата може да достигне или надмине 50 °C (122 °F).**
7. **Не изгаряйте акумулаторните батерии даже и ако те са сериозно повредени или напълно износени. Акумулаторната батерия може да експлодира в огън.**
8. **Не забивайте пирони, не режете, не смачквайте, не хвърляйте, не изпускате и не удряйте в твърд предмет акумулаторната батерия.** Това поведение може да предизвика пожар, прегряване или взрив.
9. **Не използвайте повредени акумулаторни батерии.**
10. **Съдържащите се литиево-йонни акумулаторни батерии са обект на изискванията на законодателството за опасни стоки.** При търговски превози, напр. от трети страни, спедитори, трябва да се спазват специални изисквания за опаковане и етикетирание. За подготовка на артикула, който трябва да бъде изпратен, е необходима консултация с експерт по опасните материали. Моля, спазвайте и евентуално по-подробните национални разпоредби. Залепете с лента или покрийте откритите контакти и опаковайте акумулаторната батерия по такъв начин, че да не може да се премества в опаковката.
11. **При изхвърляне на акумулаторната батерия я извадете от инструмента и я изхвърлете на подходящо място. Спазвайте местните разпоредби за изхвърляне на акумулаторни батерии.**
12. **Използвайте батериите само с продуктите, определени от Makita.** Поставянето на батериите към неодобриени продукти може да предизвика пожар, прегряване, взрив или изтичане на електролит.
13. **Ако инструментът няма да се използва продължително време, батерията трябва да се извади от него.**
14. **По време на и след употреба акумулаторната батерия може да поеме топлина, която може да причини изгаряния или нискотемпературни изгаряния. Внимавайте, когато боравите с горещите акумулаторни батерии.**
15. **Не докосвайте клемата на инструмента веднага след употреба, тъй като е възможно да е достатъчно нагрята, за да предизвика изгаряния.**
16. **Не позволявайте стружки, прах или почва да полепват по клемите, отворите и каналите на акумулаторната батерия.** Това може да причини загаряване, възникване на пожар, избухване и повреда на инструмента или акумулаторната батерия, което да доведе до изгаряния или телесни наранявания.
17. **Освен ако инструментът поддържа използването в близост до високоволтови електропроводи, не използвайте акумулаторна батерия близо до високоволтови електропроводи.** Това може да доведе до неизправност или повреда на инструмента или акумулаторната батерия.
18. **Пазете батерията от деца.**

ЗАПАЗЕТЕ НАСТОЯЩИТЕ ИНСТРУКЦИИ.

⚠ВНИМАНИЕ: Използвайте само оригинални акумулаторни батерии на Makita. При използване на различни от акумулаторните батерии на Makita или стари акумулаторни батерии може да се получи пръскане на акумулаторната батерия, което да доведе до пожар, нараняване или повреда. Това също ще анулира гаранцията на Makita за инструмента и зарядното устройство Makita.

Съвети за поддържане на максимално дълъг живот на акумулаторните батерии

1. **Зареждайте акумулаторните батерии, преди те да са се разреждали напълно.** Когато забележите, че мощността на инструмента намалява, винаги спирайте работата с инструмента и заредете акумулаторната батерия.
2. **Никога не презареждайте напълно заредена акумулаторна батерия.** Презарядът скъсява експлоатационния живот на батерията.
3. **Зареждайте акумулаторната батерия при стайна температура от 10 °C – 40 °C (50 °F – 104 °F).** Оставете заргетите акумулаторни батерии да се охладят, преди да ги зареждате.
4. **Когато не използвате акумулаторната батерия, извадете я от инструмента или зарядното устройство.**
5. **Заредете акумулаторната батерия, ако не сте го използвали дълъг период от време (повече от шест месеца).**

Важни инструкции за безопасност за безжичното устройство

1. **Никога не отваряйте капака на гнездото сами, след като инсталирате безжичното устройство.**
2. **Не разглобявайте и не променяйте безжичното устройство.**
3. **Пазете безжичното устройство далеч от децата си.** При случайно поглъщане незабавно потърсете медицинска помощ.
4. **Използвайте безжичното устройство само с инструменти на Makita.**
5. **Не излагайте безжичното устройство на действието на дъжд или влага.**

6. Не използвайте безжичното устройство на места, където температурата превишава 50°C.
7. Не допускайте работа на безжичното устройство на места, където в близост има медицински апарати, като например сърдечни пейсмейкъри.
8. Не допускайте работа на безжичното устройство на места, където в близост има автоматични устройства. При работа със същото може да се получи неизправност на или грешка в автоматичните устройства.
9. Не работете с безжичното устройство на места с висока температура или на места, където може да се генерира статично електричество или електрически шум.
10. Безжичното устройство може да генерира електромагнитни полета (EMF), но те не са вредни за потребителя.
11. Безжичното устройство е точен уред. Внимавайте да не изпуснете или ударите безжичното устройство.
12. Не докосвайте извода на безжичното устройство с голи ръце или метални материали.
13. Винаги изваждайте батерията от продукта, когато монтирате безжичното устройство.
14. При отварянето на капака на гнездото избягвайте места, където може да влязат прах и вода в гнездото. Винаги поддържайте чист входа на гнездото.
15. Винаги вкарвайте безжичното устройство в правилната посока.
16. Не натискайте прекалено силно бутона за безжично активиране на безжичното устройство и/или не го натискайте с предмет с остър ръб.
17. Винаги затваряйте капака на гнездото при работа.
18. Не махайте безжичното устройство от гнездото, когато към инструмента се подава захранване. Ако направите това, може да се получи неизправност на безжичното устройство.
19. Не махайте стикера от безжичното устройство.
20. Не поставяйте стикери върху безжичното устройство.
21. Не оставяйте безжичното устройство на място, където може да се генерира статично електричество или електрически шум.
22. Не оставяйте безжичното устройство на място, подложено на голямо загряване, като например нагрята от слънцето кола.
23. Не оставяйте безжичното устройство на място с прах или прахообразни продукти или на място, където може да се генерира предизвикващ корозия газ.
24. Внезапната промяна на температурата може да доведе до запотвяване на безжичното устройство. Не използвайте безжичното устройство, докато кондензираната вода не изсъхне.
25. Почиствайте безжичното устройство внимателно със суха и мека кърпа. Не използвайте бензол, разредител, проводяща грес или други подобни.
26. Когато съхранявате безжичното устройство, го дръжте в кутията, в която е доставено, или в контейнер без статично електричество.
27. Не вкарвайте в гнездото никакви устройства, различни от безжичното устройство на Makita.
28. Не използвайте инструмента с повреден капак на гнездото. Проникнали в гнездото вода, прах и замърсявания могат да предизвикат неизправност.
29. Не дърпайте и/или усуквайте капака на гнездото повече от необходимото. Върнете на мястото му капака, ако същият се откачи от инструмента.
30. Сменете капака на гнездото, ако същият бъде загубен или повреден.

ЗАПАЗЕТЕ НАСТОЯЩИТЕ ИНСТРУКЦИИ.

ОПИСАНИЕ НА ФУНКЦИИТЕ

⚠ВНИМАНИЕ: Винаги проверявайте дали уредът е изключен и дали акумулаторните батерии са извадени, преди да регулирате или проверявате дадена функция на уреда.

Поставяне и изваждане на акумулаторната батерия

⚠ВНИМАНИЕ: Винаги изключвайте инструмента преди поставяне или изваждане на акумулаторната батерия.

⚠ВНИМАНИЕ: Когато инсталирате или изваждате акумулаторната батерия, дръжте здраво прахосмукачката и акумулаторната батерия. Ако не държите здраво прахосмукачката и акумулаторната батерия, те могат да се изплъзнат от ръцете ви и да доведат до повреждане на прахосмукачката и акумулаторната батерия или нараняване.

⚠ВНИМАНИЕ: Внимавайте да не защитепте пръстите си при отваряне или затваряне на капака за акумулаторната батерия. В противен случай може да се нараните.

За поставяне на акумулаторната батерия първо освободете блокировката и след това отворете капака за акумулаторната батерия. След това поставете акумулаторната батерия.

► **Фиг.1:** 1. Блокировка 2. Капак на акумулатора

Изравнете езичето на акумулаторната батерия с жлеба в корпуса и я плъзнете на мястото ѝ. Въмъкнете я докрай, докато ключалката я задържи на място с леко щракване. След това затворете и блокирайте капака за акумулаторната батерия.

► **Фиг.2:** 1. Акумулаторна батерия 2. Бутон

За да извадите акумулаторната батерия, я плъзнете извън инструмента, плъзгайки същевременно бутона в предната част на акумулаторната батерия.

⚠ ВНИМАНИЕ: Винаги поставяйте акумулаторната батерия докрай. В противен случай тя може неволно да изпадне от прахосмукачката, което може да нарани вас или някого около вас.

⚠ ВНИМАНИЕ: Не инсталирайте акумулаторната батерия със сила. Ако батерията не се движи свободно, тя не е била поставена правилно.

ЗАБЕЛЕЖКА: Прахосмукачката не работи само с една акумулаторна батерия.

Индикация на оставащия капацитет на акумулаторната батерия

Натиснете бутона за проверка на акумулаторната батерия за показване на оставащия заряд на батерията. Светлинните индикатори ще светнат за няколко секунди.

► **Фиг.3:** 1. Светлинни индикатори 2. Бутон за проверка

Светлинни индикатори			Оставащ заряд на батерията
Свети	Изкл.	Мига	
			75% до 100%
			50% до 75%
			25% до 50%
			0% до 25%
			Заредете батерията.
			Батерията може да не работи правилно.

ЗАБЕЛЕЖКА: В зависимост от условията на употреба и околната температура е възможно показанията леко да се различават от действителния капацитет.

ЗАБЕЛЕЖКА: Първият (краен ляв) светлинен индикатор ще мига, когато системата за защита на батерията функционира.

Индикатори за батериите на контролния панел

Оставащият капацитет на акумулаторната батерия може да бъде проверен на контролния панел по всяко време. Натиснете бутона за проверка и левият и десният индикатор ще покажат съответното ниво на заряд на батериите.

► **Фиг.4:** 1. Ляв индикатор на батерия 2. Десен индикатор на батерия 3. Бутон за проверка

► **Фиг.5**

Състояние на индикатора на акумулаторната батерия			Оставащ капацитет на акумулаторната батерия
Вкл.	Изкл.	Мига	
			50% до 100%
			20% до 50%
			0% до 20%
			Заредете батерията
			Не е поставена батерия

ЗАБЕЛЕЖКА: Индикаторът на батерия работи, докато са поставени две батерии.

ЗАБЕЛЕЖКА: Индикаторите на батериите също ще се активират, когато прахосмукачката започне да функционира.

Система за защита на уреда/ акумулаторната батерия

Уредът е снабден със система за защита на уреда/батерията. Тази система автоматично прекъсва захранването към електромотора, за да осигури по-дълъг живот на уреда и акумулаторната батерия. Уредът ще спре автоматично по време на работа, ако той или батерията са поставени в едно от следните състояния:

Защита срещу претоварване

Когато уредът/батерията се използват по начин, който води до необичайно висока консумация на ток, уредът спира автоматично. В такъв случай изключете уреда и прекратете приложението, което го претоварва. След това включете уреда, за да го стартирате отново.

Защита срещу прегряване

Вкл.	Мига

При прегряване на уреда той ще спре автоматично и левият и десният индикатори на батерията започват да мигат. В този случай оставете уреда да се охлади и почистете филтрите, преди да го включите отново.

Вкл.	Мига

Когато батерията е прегряла, уредът ще спре автоматично и един от индикаторите за прегряла батерия започва да мига. В този случай оставете батерията да се охлади, преди да включите уреда отново.

Защита срещу прекомерно разреждане

Когато капацитетът на акумулаторната батерия спадне, уредът спира автоматично. Ако уредът не работи при задействане на превключвателя му, извадете акумулаторните батерии от него и ги заредете.

Защити срещу други причини

Предпазната система е предназначена и за други причини, които може да повредят уреда, и позволява автоматичното спиране на уреда. Изпълнете всички следващи стъпки, за да отстраните причините, когато уредът е прекъснал временно или спре по време на работа.

1. Изключете уреда и след това отново го включете.
2. Заредете батерията(ите) или я/ги заменете със заредена(и) батерия(и).
3. Оставете уреда и батерията(ите) да изстинат.

Ако не бъде постигнато подобрене чрез връщане на предпазната система в изходно положение, се свържете с местния сервизен център на Makita.

Включване

Включване на прахосмукачката

1. Завъртете превключвателя за режим на готовност в положение „I“ (Вкл.) или „AUTO“ (Вкл.), за да бъде прахосмукачката готова за работа в режим на готовност.
2. Натиснете бутон за захранването. За връщане на прахосмукачката обратно в режим на готовност натиснете бутона за захранването отново.

Изключване на прахосмукачката

Изпълнете една от следните стъпки.

- Натиснете бутона на захранването, за да върнете прахосмукачката обратно в режим на готовност.
- Завъртете превключвателя за режим на готовност в положение „O“ (Изкл.).

Регулиране на силата на засмукване

Силата на засмукването може да се регулира в съответствие с изискванията на работата.

- Завъртете регулатора на силата на засмукване наляво, за да намалите силата на засмукване.
- Завъртете регулатора на силата на засмукване надясно, за да увеличите силата на засмукване.

Избор на диаметър на маркуча

Завъртете диска за избор на диаметър на маркуча към диаметъра, който ще използвате.

ЗАБЕЛЕЖКА: Не завъртайте диска в междинно положение между цифрите. Винаги завъртайте диска в положение според диаметъра на маркуча.

- **Фиг.6:**
1. Превключвател за режим на готовност
 2. Регулатор на силата на засмукване
 3. Диск за избор на диаметър на маркуча
 4. Бутон за захранването

БЕЛЕЖКА: Винаги поставяйте превключвателя за режим на готовност на положение „O“, когато не използвате прахосмукачката за продължително време. Прахосмукачката консумира електроенергия при режим на готовност.

Предупредителен звуков сигнал

Има два вида звуков сигнал. Единият е кратък звуков сигнал, а другият е непрекъснат.

- Когато скоростта на въздушния поток падне под 20 м/с, от съображения за безопасност прахосмукачката издава кратки предупредителни сигнали. Когато те прозвучат, проверете диска за избор на диаметър на маркуча или дали силата на засмукване не е твърде ниска. Ако звуковият сигнал продължи да звучи, извършете техническа поддръжка или се обърнете към местния сервизен център.
- Когато резервоарът се напълни с течност, прахосмукачката издава непрекъснати предупредителни сигнали и спира автоматично. След като прахосмукачката спре, изключете я и изпразнете резервоара.

Автоматично спиране на засмукването по време на засмукване на вода

▲ ПРЕДУПРЕЖДЕНИЕ: Не събирайте пяна или сапунена течност. Това може да предизвика излизане на пяна от изхода за въздух. Ако продължите да работите в тези условия, може да възникне токов удар и повреда на прахосмукачката.

Прахосмукачката има механизъм, който не позволява проникване на вода в електромотора, когато се поема повече от определено количество вода. Когато резервоарът е пълен с течност, прахосмукачката издава непрекъснати предупредителни сигнали и спира автоматично. След като прахосмукачката спре, изключете я и изпразнете резервоара.

Система за почистване на филтъра

Този уред има система за почистване на филтъра. По време на работа с уреда системата за почистване на филтъра автоматично отстранява праха от филтрите, за да предотврати намаляването на смукателната сила поради запушването им.

Ако уредът засмуче голямото количество прах наведнъж, силата на засмукване може да намалее. В този случай се препоръчва ръчно почистване на филтъра.

1. Изключете уреда.
2. Настройте максимална засмукваща мощност и след това затворете отвора на смукателния маркуч с дланта си.
3. Включете уреда и го оставете да работи около 15 секунди при затворен отвор на смукателния маркуч.

► **Фиг.7:** 1. Отвор на смукателния маркуч

ЗАБЕЛЕЖКА: Обемът на въздуха може да се промени, докато системата за почистване на филтъра се активира, но това не е неизправност.

Източване на водата

Когато резервоарът е пълен с течност, изключете прахосмукачката и отворете капачката за източване на водата, за да изпразните резервоара.

► **Фиг.8:** 1. Капачка за източване на водата

Капачка

Капачката се доставя заедно с уреда. Монтирането на капачката към отвора за свързване на маркуча предотвратява излизането на засмукания прах от прахосмукачката.

► **Фиг.9:** 1. Капачка

Заклучване и отключване на колелата

Предните колела могат да бъдат заключвани с фиксатори, за да остане прахосмукачката неподвижна.

Спуснете фиксиращото лостче с ръка, за да заключите колелото, и го вдигнете, за да освободите колелото.

► **Фиг.10:** 1. Колело 2. Фиксиращо лостче
3. Положение СВОБОДНО 4. Положение ЗАКЛЮЧЕНО

ЗАБЕЛЕЖКА: При местене на прахосмукачката се уверете, че колелото е отключено. Местене на прахосмукачката със заключено колело може да повреди колелото.

Дръжка за носене

ВНИМАНИЕ: Вдигайте и пренасяйте уреда с необходимото внимание. В противен случай съществува опасност от телесно нараняване или повреда на уреда.

При носене на прахосмукачката я хващайте за дръжката на главния блок. Когато не се използва, дръжката се прибира в главния блок.

► **Фиг.11**

Ако е трудно да носите уреда сами, организирате пренасянето му от двама души, както е показано на фигурата.

► **Фиг.12**

► **Фиг.13**

СГЛОБЯВАНЕ

ПРЕДУПРЕЖДЕНИЕ: Това устройство може да съдържа опасен прах. При смяна на филтърните елементи и торбата за прах или при техническа поддръжка винаги използвайте респиратор P2.

ВНИМАНИЕ: Преди да извършвате каквато и да е работа по уреда, винаги го изключвайте и изваждайте акумулаторните батерии.

Поставяне и изхвърляне на филтърната торба

ПРЕДУПРЕЖДЕНИЕ: Винаги използвайте респиратор P2.

ПРЕДУПРЕЖДЕНИЕ: Преди да използвате филтърна торба се уверете, че се използва филтърният блок. Ако не използвате филтърния блок заедно с торбата, това може да причини необичаен шум и прегряване, което да доведе до пожар.

ПРЕДУПРЕЖДЕНИЕ: Когато използвате уреда за прах от клас M, винаги използвайте филтърната торба.

БЕЛЕЖКА: Никога не събирайте вода, друга течност или мокър прах, когато използвате филтърна торба. Засмукването на такива неща може да доведе до скъсване на филтърната торба.

1. Освободете заключващите куки и вдигнете главния блок от резервоара.
► **Фиг.14:** 1. Заклучваща кука
2. Разгънете една филтърна торба.
3. Подравнете отвора на филтърната торба с отвора за засмукване на прах на резервоара.
4. Поставете картонената част на филтърната торба в инструмента така, че да се разположи в края зад изпъкналостта за фиксиране.
► **Фиг.15:** 1. Филтърна торба 2. Отвор на филтърната торба 3. Държач за филтърна торба 4. Засмукващ отвор 5. Ръб

Когато изхвърляте филтърната торба, издърпайте ръба на отвора ѝ, така че хартията да го затвори.

Поставяне на полиетиленова торбичка

Допълнителни аксесоари

Поставете полиетиленова торбичка върху резервоара и плъзнете едната страна на горния ръб на торбичката на отворения ѝ край между пластината на държача и предната стена на резервоара. След това извадете другите горни ръбове на торбата върху горните пръстени на резервоара. С филтърната торба може да се използва полиетиленова торбичка.

► **Фиг.16:** 1. Пластина на държача 2. Предна стена на резервоара 3. Полиетиленова торбичка

ЗАБЕЛЕЖКА: Може да се използват предлаганите на пазара полиетиленови торбички. Дебелината е над 0,04 мм и периметърът е над 2 000 мм, препоръчва се една торбичка.

ЗАБЕЛЕЖКА: Ако прахът е твърде много, той лесно ще скъса полиетиленовата торбичка, така че не я препълвайте. Изхвърлянето на тежката торба може да предизвика натоварване на човешкото тяло.

Изпразване на резервоара с полиетиленова торбичка

⚠ ПРЕДУПРЕЖДЕНИЕ: Преди да изпразните резервоара, винаги проверявайте, дали прахосмукачката е изключена, а акумулаторните батерии – извадени. В противен случай съществува опасност от токов удар и сериозно нараняване.

БЕЛЕЖКА: Изпразвайте резервоара най-малко един път на ден, въпреки че това зависи от обема на събрания прах в резервоара. В противен случай ще отслабне силата на засмукване и моторът може да се повреди.

БЕЛЕЖКА: Не хващайте заключващите куки, докато изпразвате резервоара. Хващането им може да ги счупи.

1. Освободете заключващите куки и вдигнете главния блок от резервоара.
 2. Извадете полиетиленовата торбичка от резервоара, като затворите отвора ѝ с ръка.
- **Фиг.17:** 1. Полиетиленова торбичка 2. Резервоар

ЗАБЕЛЕЖКА: Изваждайте внимателно полиетиленовата торбичка от резервоара, за да избегнете надраскване и скъсване от ръбовете в резервоара.

ЗАБЕЛЕЖКА: Изпразвайте полиетиленовата торбичка, преди тя да се напълни. Прекалено много прах в резервоара може да предизвика скъсване на полиетиленовата торбичка.

Монтаж на маркуча

БЕЛЕЖКА: Никога не прилагайте сила към маркуча, не го огъвайте или натискайте. Никога не местете прахосмукачката, като дърпате маркуча. Прилагането на сила, натиск или дърпане на маркуча може да го повреди или деформира.

БЕЛЕЖКА: При събиране на големи отпадни материали, като например стружки от ренде, прах от бетон или подобни обемисти отпадъци, използвайте маркуча с вътрешен диаметър 38 мм (опционален аксесоар). При използване на маркуча с външен диаметър 28 мм (опционален аксесоар) е възможно той да се запуши и повреди.

БЕЛЕЖКА: Винаги поставяйте капачката на монтажния отвор, когато сваляте маркуча от прахосмукачката.

Свързване към прахосмукачката

Свалете капачката от монтажния отвор. Докато маркучът е свързан към прахосмукачката, капачката може да се съхранява в задната ѝ част.

- **Фиг.18:** 1. Капачка

Вкарайте края на маркуча в засмукващия отвор (отвор за маркуч) на прахосмукачката, след това го завъртете по часовниковата стрелка, докато се заключи на мястото си.

- **Фиг.19:** 1. Маркуч 2. Засмукващ отвор (отвор за маркуч)

Свързване с работните инструменти (Зависи от държавата)

Чрез свързване на прахосмукачката към наличен работен инструмент, съвместим с нея, тя работи като прахоуловител за електрически инструменти.

Изберете един от предните маншета или съединения (допълнителни принадлежности), който е най-подходящ за модела на вашия инструмент. Поставете маншетите или съединенията по необходимия начин между предния край на маркуча на прахосмукачката и отвора за прахоуловяне на вашия инструмент.

- **Фиг.20:** 1. Предни маншети или съединение 2. Маркуч на прахосмукачката 3. Електрически инструмент 4. Прахосмукачка

Поставяне или демониране на крайници на прахосмукачката

⚠ ВНИМАНИЕ: След монтиране на принадлежност проверете дали е надеждно закрепена. Ако принадлежността е монтирана неправилно, тя може да излезе и да причини нараняване.

Когато се използва приставка без заключваща функция

Допълнителни аксесоари

Поставете приставка в засмукващия отвор на прахосмукачката, като я натиснете и завийте на ръка на мястото ѝ.

След употреба завъртете с ръка и изтеглете приставката от засмукващия отвор.

- **Фиг.21**

Монтиране на МАКРАС

Допълнителни аксесоари

⚠ ВНИМАНИЕ: Не стойте и не сядайте върху горната част на уреда. Той може да падне поради нестабилност.

⚠ ВНИМАНИЕ: Извършвайте внимателно операцията за монтиране на МАКРАС. В противен случай съществува опасност от телесно нараняване или повреда на уреда.

⚠ ВНИМАНИЕ: Когато МАКРАС е монтиран на уреда, не повдигайте уреда за дръжката на МАКРАС.

⚠ ВНИМАНИЕ: При преместване на уреда, на който е монтиран МАКРАС, не натискайте МАКРАС, а тялото на уреда. Натискането на МАКРАС може да счупи заключващите фиксатори и МАКРАС може да падне, което да доведе до нараняване.

Върху прахосмукачката могат да бъдат монтирани кутии за съхранение на МАКРАС, които могат да се свързват и да се поддредат една върху друга. Кутиите се предлагат в много размери и разновидности, за да удовлетворят по най-добрия начин вашите предпочитания.

1. Разгънете заключващите фиксатори на горната повърхност на прахосмукачката.

► **Фиг.22:** 1. Заключващ фиксатор

2. Монтирайте кутии МАКРАС върху прахосмукачката и ги закрепете със заключващи фиксатори.

► **Фиг.23:** 1. Заключващ фиксатор 2. МАКРАС

Максималната височина и тегло за монтиране на МАКРАС са съответно 315 мм и 20 кг.

► **Фиг.24**

Експлоатация

▲ ПРЕДУПРЕЖДЕНИЕ: Винаги използвайте респиратор от клас P2.

▲ ВНИМАНИЕ: Ако от инструмента излезе пяна или течност, изключете го незабавно. Ако продължите да работите в тези условия, може да възникне токов удар и повреда на прахосмукачката.

ФУНКЦИЯ ЗА БЕЗЖИЧНО АКТИВИРАНЕ

Допълнителни аксесоари

Какво можете да правите с функцията за безжично активиране

Функцията за безжично активиране дава възможност за чиста и удобна работа. Чрез свързване на поддържан инструмент към прахосмукачката, Вие можете да я включите автоматично заедно с превключвателя на инструмента.

► **Фиг.25**

БЕЛЕЖКА: Когато използвате прахосмукачката с функция за безжично активиране, прочетете инструкциите на инструмента.

БЕЛЕЖКА: Не разглобявайте и не променяйте безжичното устройство.

БЕЛЕЖКА: За да предотвратите навлизането на прах в гнездото на безжичното устройство, винаги затваряйте добре капака по време на работа и на съхранение.

БЕЛЕЖКА: Не натискайте прекалено силно бутон за безжично активиране и/или не го натискайте с предмет с остър ръб.

ЗАБЕЛЕЖКА: За безжично активиране инструментите Makita трябва да са оборудвани с безжично устройство.

ЗАБЕЛЕЖКА: Преди първоначалната употреба на функцията за безжично активиране с всеки инструмент, е необходима регистрация на инструмента. След като регистрацията на инструмента е приключена не е необходима повторна регистрация, освен ако не е била отказана.

ЗАБЕЛЕЖКА: Преди регистрацията се уверете, че безжичното устройство е правилно поставено.

ЗАБЕЛЕЖКА: За едно безжично устройство могат да се регистрират до 10 връзки с други безжични устройства. Ако за едно безжично устройство се регистрират повече от 10 други безжични устройства, регистрацията на най-рано регистрираното ще бъде премахната автоматично.

ЗАБЕЛЕЖКА: Позицията на бутон за безжично активиране варира в зависимост от инструмента.

ЗАБЕЛЕЖКА: Освен това, прахосмукачката стартира при натискане на бутон за захранването, ако превключвателя за режим на готовност е поставен на „AUTO“ (АВТОМАТИЧНО). Но бутонът на захранването няма да действа, ако се използва функцията за безжично активиране.

Монтиране на безжичното устройство

▲ ПРЕДУПРЕЖДЕНИЕ: Отворете капака само при първото монтиране на безжичното устройство. Никога не отваряйте капака след монтирането му.

▲ ВНИМАНИЕ: За да монтирате безжичното устройство, поставете прахосмукачката върху плоска и стабилна повърхност.

БЕЛЕЖКА: Преди да монтирате безжичното устройство на прахосмукачката, почистете праха и замърсяванията. Ако в гнездото на безжичното устройство влязат прах или замърсявания, това може да доведе до неизправност.

БЕЛЕЖКА: За да предотвратите неизправност вследствие на статично електричество, докоснете материал за разреждане на статично електричество, като например метална част, преди да вземете безжичното устройство.

БЕЛЕЖКА: Когато монтирате безжичното устройство, винаги се грижете за това безжичното устройство да се вкарва в правилната посока и капакът да бъде напълно затворен.

1. Разхлабете винта, за да отворите капака на прахосмукачката, както е показано на фигурата.

► **Фиг.26:** 1. Капак 2. Винт

2. Вкарайте безжичното устройство в отвора.

Когато вкарвате безжичното устройство, подравнете изпълналите му части с прорезите в гнездото.

► **Фиг.27:** 1. Безжично устройство 2. Изпълнала част 3. Капак 4. Част с прорези

3. Затегнете винта докрай, за да затворите капака напълно.

Регистриране на инструмента към прахосмукачката

ЗАБЕЛЕЖКА: За регистриране на инструмента е необходим инструмент Makita, който поддържа функцията за безжично активиране.

ЗАБЕЛЕЖКА: Преди да започнете регистрирането на инструмента, завършете монтажа на безжичното устройство към инструмента.

ЗАБЕЛЕЖКА: По време на регистрирането на инструмента не натискайте пусковия прекъсвач на инструмента и не включвайте ключа на захранването на прахосмукачката.

ЗАБЕЛЕЖКА: Вижте също ръководството за експлоатация на инструмента.

Ако желаете да включвате прахосмукачката заедно с превключвателя на инструмента, завършете регистрирането на инструмента преди това.

1. Поставете безжичните устройства съответно в прахосмукачката и инструмента.

2. Поставете батериите в прахосмукачката и инструмента.

3. Поставете превключвателя за режим на готовност на прахосмукачката в положение „АУТО“ (АВТОМАТИЧНО).

► **Фиг.28:** 1. Превключвател за режим на готовност

4. Натиснете бутона за безжично активиране на прахосмукачката за 3 секунди, докато лампата за безжично активиране започне да мига в зелено. След това по същия начин натиснете бутона за безжично активиране на инструмента.

► **Фиг.29:** 1. Бутон за безжично активиране
2. Лампа за безжично активиране

Ако прахосмукачката и инструментът са свързани успешно, лампите за безжично активиране ще светнат в зелено за 2 секунди и ще започнат да мигат в синьо.

ЗАБЕЛЕЖКА: Лампите за безжично активиране ще спрат да мигат в зелено след 20 секунди. Натиснете бутона за безжично активиране на инструмента, когато лампата за безжично активиране на прахосмукачката мига. Ако лампата за безжично активиране не мига в зелено, отново натиснете за кратко бутона за безжично активиране и го задръжте.

ЗАБЕЛЕЖКА: Когато извършвате две или повече регистрации на инструменти за една прахосмукачка, ги завършвайте една по една.

Стартиране на функцията за безжично активиране

ЗАБЕЛЕЖКА: За безжично активиране завършете регистрацията на инструмента на прахосмукачката.

ЗАБЕЛЕЖКА: Винаги поставяйте прахосмукачката така, че да можете да виждате състоянието на лампата за безжично активиране.

ЗАБЕЛЕЖКА: Вижте също ръководството за експлоатация на инструмента.

След регистрирането на инструмент към прахосмукачката, тя ще се включва автоматично при задействането на превключвателя на инструмента.

1. Поставете безжичните устройства съответно в прахосмукачката и инструмента.

2. Поставете батериите в прахосмукачката и инструмента.

3. Свържете маркуча на прахосмукачката с инструмента.

► **Фиг.30**

4. Поставете превключвателя за режим на готовност на прахосмукачката в положение „АУТО“ (АВТОМАТИЧНО).

► **Фиг.31:** 1. Превключвател за режим на готовност

5. Натиснете за кратко бутона за безжично активиране на инструмента. Лампата за безжично активиране ще мига в синьо.

► **Фиг.32:** 1. Бутон за безжично активиране
2. Лампа за безжично активиране

6. Включете инструмента. Проверете дали прахосмукачката работи, докато инструментът работи.

▲ВНИМАНИЕ: Преди да започнете работа с инструмента, винаги проверявайте дали функцията за безжично активиране работи.

За да спрете безжичното активиране, натиснете бутона за безжично активиране на инструмента или поставете превключвателя за режим на готовност на прахосмукачката в положение „I“ или „O“.

ЗАБЕЛЕЖКА: Лампата за безжично активиране на инструмента ще спре да мига в синьо, когато не се работи в продължение на 2 часа. В този случай поставете превключвателя за режим на готовност на прахосмукачката в положение „АУТО“ (АВТОМАТИЧНО) и натиснете отново бутона за безжично активиране на инструмента.

ЗАБЕЛЕЖКА: Прахосмукачката се включва/изключва със закъснение. Има известно закъснение, през което прахосмукачката регистрира задействане на превключвателя на инструмента.

ЗАБЕЛЕЖКА: Разстоянието на предаване на безжичното устройство може да варира в зависимост от местоположението и околните условия.

ЗАБЕЛЕЖКА: Когато два или повече инструмента са регистрирани на една прахосмукачка, тогава прахосмукачката може да започне да работи дори да не сте включили инструмента, тъй като друг потребител използва функцията за безжично активиране.

Отмяна на регистрацията на инструмент към прахосмукачката

Когато отменяте регистрацията на инструмент към прахосмукачката, изпълнете следната процедура.

1. Поставете безжичните устройства съответно в прахосмукачката и инструмента.
2. Поставете батериите в прахосмукачката и инструмента.
3. Поставете превключвателя за режим на готовност на прахосмукачката в положение „АУТО“ (АВТОМАТИЧНО).
► **Фиг.33:** 1. Превключвател за режим на готовност
4. Натиснете бутона за безжично активиране на прахосмукачката за 6 секунди. Лампата за безжично активиране мига в зелено и след това става червена. След това натиснете по същия начин бутона за безжично активиране на инструмента.
► **Фиг.34:** 1. Бутон за безжично активиране
2. Лампа за безжично активиране

Ако отмяната е осъществена успешно, лампите за безжично активиране ще светнат в червено за 2 секунди и ще започнат да мигат в синьо.

ЗАБЕЛЕЖКА: Лампите за безжично активиране ще спрат да мигат в червено след 20 секунди. Натиснете бутона за безжично активиране на инструмента, когато лампата за безжично активиране на прахосмукачката мига. Ако лампата за безжично активиране не мига в червено, отново натиснете за кратко бутона за безжично активиране и го задръжте.

Изтриване на всички регистрации на инструменти

Можете да изтриете всички регистрации на инструменти от прахосмукачката, както следва.

- **Фиг.35:** 1. Превключвател за режим на готовност 2. Бутон за безжично активиране 3. Лампа за безжично активиране
1. Монтирайте безжичното устройство на прахосмукачката.
2. Поставете батериите в прахосмукачката.
3. Поставете превключвателя за режим на готовност в положение „АУТО“ (АВТОМАТИЧНО).
4. Задръжте бутона за безжично активиране в продължение на около 6 секунди, докато лампата за безжично активиране започне да мига в червено (около два пъти в секунда).
5. Когато лампата за безжично активиране започне да мига в червено, освободете бутона за безжично активиране. След това отново задръжте бутона за безжично активиране в продължение на около 6 секунди.











6. Когато лампата за безжично активиране започне да мига бързо (около 5 пъти в секунда) в червено, освободете бутона за безжично активиране. Когато лампата за безжично активиране светне в червено и изгасне, всички регистрации на инструменти са изтрити.

ЗАБЕЛЕЖКА: Ако лампата за безжично активиране не мига в червено, натиснете за кратко бутона за безжично активиране и опитайте отново.

Описание на състоянието на лампата за безжично активиране

- **Фиг.36:** 1. Бутон за безжично активиране
2. Лампа за безжично активиране

Лампата за безжично активиране показва състоянието на функцията за безжично активиране. Значението на състоянието на лампата можете да видите в таблицата по-долу.

Състояние	Лампа за безжично активиране				Описание
	Цвят	 Вкл.	 Мига	Продължителност (приблизителна)	
Готовност	Синьо			Праховсмукачка: постоянно Инструмент: 2 часа	Изчакване на регистрация на инструмент или наличие на функция за безжично активиране. Лампата на праховсмукачката мига, когато превключвателя за режим на готовност е поставен в положение „АВТО“ (АВТОМАТИЧНО). Лампата на инструмента мига, когато бутонът за безжично активиране е натиснат. Лампата на инструмента ще се изключи автоматично, ако в продължение на 2 часа няма извършена операция.
				Когато инструментът работи.	Активирането на безжичната връзка на праховсмукачката е достъпно и инструментът работи.
Регистриране на инструмента	Зелено			20 секунди	Готовност за регистриране на инструмента. Търсене на инструмент за регистрация.
				2 секунди	Регистрирането на инструмента е завършено. Лампата за безжично активиране ще започне да мига в синьо.
Отмяна/изтриване на регистрация на инструмент	Червено	 (бавно: 2 пъти в секунда)		20 секунди	Готовност за отмяна на регистрирането на инструмента. Търсене на инструмент за отмяна.
		 (бързо: 5 пъти в секунда)		Когато бутонът за безжично активиране е натиснат.	Готовност за изтриване на всички регистрации на инструменти.
				2 секунди	Регистрацията на инструмента е отменена/изтрита. Лампата за безжично активиране ще започне да мига в синьо.
Други	Червено			3 секунди	Попада се захранване към безжичното устройство и се включва функцията за безжично активиране.
	Изкл.	-		-	Превключвателят за режима на готовност не е поставен в положение „АВТО“ (АВТОМАТИЧНО).

Откриване на неизправности на функцията за безжично активиране

Преди да заявите ремонт, сами извършете проверка. Ако установите проблем, който не е обяснен в ръководството, не се опитвайте да разглобявате инструмента. Вместо това го занесете в някой от оторизираните сервиси на Makita, които винаги използват за ремонтите резервни части от Makita.

Състояние на неизправност	Възможно причина (неизправност)	Мерки за отстраняване
Лампата за безжично активиране не свети/мига.	Безжичното устройство не е монтирано в прахосмукачката и/или инструмента. Безжичното устройство е монтирано неправилно в прахосмукачката и/или инструмента.	Монтирайте правилно безжичното устройство.
	Бутонът за безжично активиране на инструмента не е натиснат.	Натиснете за кратко бутона за безжично активиране на инструмента.
	Превключвателят за режим на готовност на прахосмукачката не е поставен в положение „AUTO“ (АВТОМАТИЧНО).	Поставете превключвателя за режим на готовност на прахосмукачката в положение „AUTO“ (АВТОМАТИЧНО).
	Няма захранване	Подайте захранване към инструмента и към прахосмукачката.
Не е възможно успешно завършване на регистриране / успешна отмяна на регистрация на инструмент.	Безжичното устройство не е монтирано в прахосмукачката и/или инструмента. Безжичното устройство е монтирано неправилно в прахосмукачката и/или инструмента.	Монтирайте правилно безжичното устройство.
	Превключвателят за режим на готовност на прахосмукачката не е поставен в положение „AUTO“ (АВТОМАТИЧНО).	Поставете превключвателя за режим на готовност на прахосмукачката в положение „AUTO“ (АВТОМАТИЧНО).
	Няма захранване	Подайте захранване към инструмента и към прахосмукачката.
	Неправилна работа	Натиснете за кратко бутона за безжично активиране и изпълнете отново процедурата по регистриране/отмяна на регистрация на инструмента.
	Инструментът е отдалечен от прахосмукачката (извън диапазона на предаване).	Приближете инструмента към прахосмукачката. Максималното разстояние на предаване на сигнала е около 10 м, но може да варира в зависимост от условията.
	Преди да завършите регистрирането/отмяната на регистрацията на инструмент; – прекъсвачът на инструмента е включен или; – бутонът на захранването на прахосмукачката е включен.	Натиснете за кратко бутона за безжично активиране и изпълнете отново процедурата по регистриране/отмяна на регистрация на инструмента.
	Процедурите за регистриране на инструмента или прахосмукачката не са завършени.	Изпълнете процедурите за регистриране на инструмента и на прахосмукачката по едно и също време.
	Радиосмущения от други уреди, които генерират силни радиовълни.	Дръжте инструмента и прахосмукачката далеч от уреди, като например устройства за Wi-Fi и микровълнови печки.

Състояние на неизправност	Възможно причина (неизправност)	Мерки за отстраняване
Прахосмукачката не започва да работи при натискането на превключвателя на инструмента.	Безжичното устройство не е монтирано в прахосмукачката и/или инструмента. Безжичното устройство е монтирано неправилно в прахосмукачката и/или инструмента.	Монтирайте правилно безжичното устройство.
	Бутонът за безжично активиране на инструмента не е натиснат.	Натиснете за кратко бутона за безжично активиране и се уверете, че лампата за безжично активиране мига в синьо.
	Превключвателят за режим на готовност на прахосмукачката не е поставен в положение „AUTO“ (АВТОМАТИЧНО).	Поставете превключвателя за режим на готовност на прахосмукачката в положение „AUTO“ (АВТОМАТИЧНО).
	Към прахосмукачката са регистрирани повече от 10 инструмента.	Регистрирайте инструмента отново. Ако към прахосмукачката се регистрират повече от 10 инструмента, най-рано регистрираният инструмент ще бъде анулиран автоматично.
	Прахосмукачката е изтрила всички регистрации на инструменти.	Регистрирайте инструмента отново.
	Няма захранване	Подайте захранване към инструмента и към прахосмукачката.
	Инструментът е отдалечен от прахосмукачката (извън диапазона на предаване).	Приближете инструмента към прахосмукачката. Максималното разстояние на предаване на сигнала е около 10 м, но може да варира в зависимост от условията.
	Радиосмущения от други уреди, които генерират силни радиовълни.	Дръжте инструмента и прахосмукачката далеч от уреди, като например устройства за Wi-Fi и микровълнови печки.
Прахосмукачката работи, докато инструментът не работи.	Други потребители използват безжичното активиране на прахосмукачката с техните инструменти.	Изключете бутона за безжично активиране на другите инструменти или анулирайте регистрирането на другите инструменти.
Не могат да се изтрият всички регистрации на инструменти към прахосмукачката.	Натискане на бутона за безжично активиране на инструмента.	Натиснете бутона за безжично активиране на прахосмукачката, за да изтриете всички регистрации на инструменти.
	Превключвателят за режим на готовност на прахосмукачката не е поставен в положение „AUTO“ (АВТОМАТИЧНО).	Поставете превключвателя за режим на готовност на прахосмукачката в положение „AUTO“ (АВТОМАТИЧНО).
	Бутонът за безжично активиране не е натиснат и задържан правилно.	Задръжте бутона за безжично активиране в продължение на повече от 6 секунди и след това го освободете, когато лампата за безжично активиране започне да мига в червено. Задръжте отново бутона за безжично активиране в продължение на повече от 6 секунди, докато бутонът за безжично активиране започне да мига бързо в червено и го освободете.

ПОДДРЪЖКА

▲ ПРЕДУПРЕЖДЕНИЕ: Винаги използвайте респиратор P2 по време на извършване на техническата поддръжка.

▲ ВНИМАНИЕ: Преди да извършвате проверка или поддръжка на уреда, се уверете, че той е изключен и акумулаторните батерии са извадени.

▲ ВНИМАНИЕ: Трябва да се извършва техническа инспекция, включително инспекция на филтрите, плътността на съединенията и механизма за управление, най-малко веднъж годишно от инструктирано лице.

▲ ВНИМАНИЕ: По време на поддръжката всички замърсени предмети, компоненти, които не могат да бъдат задоволително почистени, трябва да се изхвърлят. Такива компоненти трябва да се изхвърлят в непропускащи торби, които съответстват на разпоредбите в държавата.

▲ ВНИМАНИЕ: След работа в опасната зона външната страна на инструмента трябва да се почисти чрез методи за почистване с вакуум и да се избърше или обработи с уплътнителна паста, преди да се извади инструментът от съответната опасна зона. Всички части на инструмента трябва да се считат за замърсени, когато са извадени от опасната зона, и трябва да се предприемат подходящи действия за предотвратяване на разпръскването на прах.

▲ ВНИМАНИЕ: Сменяйте филтрите, когато се задръстят с прах или считате, че резултатът от работата на прахосмукачката е влошен.

▲ ВНИМАНИЕ: Проверявайте филтрите периодично. Ако има разкъсвания, незабавно ги сменете.

БЕЛЕЖКА: Не използвайте бензин, нафта, разредител, спирт и др. подобни. Това може да причини обезцветяване, деформация или пукнатини.

За да се поддържа БЕЗОПАСНОСТТА и НАДЕЖНОСТТА на продукта, ремонтите, поддръжката или регулирането трябва да се извършват от упълномощен сервиз или фабрични сервизни центрове на Makita, като винаги трябва да използвате резервни части от Makita.

Изваждане на филтърния блок

▲ ВНИМАНИЕ: Изчакайте около 5 минути, така че прахът в резервоара да падне долу напълно.

▲ ВНИМАНИЕ: Когато демонтирате филтърния блок, внимавайте да не допуснете праха да влезе в капака на резервоара.

Филтърният блок е прикрепен към главния блок. Състои се от горна планка, предварителни филтри, амортизатори и филтри за прах.

1. Освободете заключващите куки и вдигнете главния блок от резервоара.
 2. Извадете филтърния блок от главния блок, както е показано на фигурата.
- Фиг.37: 1. Заключващ фиксатор 2. Филтърен блок

Изваждане на филтъра за прах и предварителния филтър

Използване на ръкохватката и сваляне на филтрите от горната планка.

► Фиг.38: 1. Горна планка 2. Филтри 3. Ръкохватка

За да се предотврати разнасянето на прах във въздуха, за предпочитане е филтрите в полиетиленовата торбичка да се извадят.

Когато носите филтърния блок, за да го почистите, завържете здраво полиетиленовата торбичка.

► Фиг.39: 1. Филтърен блок 2. Полиетиленова торбичка

► Фиг.40: 1. Горна планка 2. Филтри 3. Полиетиленова торбичка

Почистване на филтъра за прах, предварителния филтър и амортизатора

Почиствайте периодично филтрите и амортизаторите. Задръстените филтри и амортизатор могат да доведат до влошено засмукване.

Редовно почиствайте натрупания прах по филтрите и амортизатора.

От време на време измивайте филтъра за прах, предварителния филтър и амортизатора с вода, изплаквайте ги и ги изсушавайте напълно на сянка преди употреба. Никога не ги перете в пералня.

► Фиг.41

ЗАБЕЛЕЖКА: Не търкайте и не драскайте филтъра за прах, предварителния филтър или амортизатора с твърди предмети като четки или шпатули.

ЗАБЕЛЕЖКА: Филтрите се износват с времето. Препоръчва се да имате резервни под ръка.

Монтиране на филтъра за прах и предварителния филтър

БЕЛЕЖКА: Филтърът за прах и предварителният филтър могат да поемат както сух прах, така и мокър. Уверете се, че сензорите за нивото на водата се активират правилно, за да се предотврати скъсването на филтъра за прах.

Закачете ръбовете на филтърния блок към горната планка и след това спуснете ръкохватката.

► Фиг.42: 1. Ръб 2. Ръкохватка

БЕЛЕЖКА: Преди използване на филтъра за прах се уверете, че предварителният филтър и амортизаторът се използват винаги заедно. Не е допустимо монтиране само на филтъра за прах.

Сглобяване на филтрите

Когато получите филтрите поотделно, сглобете ги, както е показано на фигурата.

► Фиг.43: 1. Филтър за прах 2. Амортизатор 3. Предварителен филтър

Монтиране на филтърния блок

След като монтирате филтрите към горната планка, закачете отворите на филтърния блок към U-образните части на вътрешния капак. След това заключете заключващия фиксатор, както е показано на фигурата.

► **Фиг.44:** 1. U-образна част 2. Отвор 3. Заключващ фиксатор

Поставяне на воден филтър

Допълнителни аксесоари

БЕЛЕЖКА: При събиране на влажен прах се уверете, че сензорите за нивото на водата се активират правилно.

БЕЛЕЖКА: Не използвайте предварителен филтър и амортизатор, когато използвате воден филтър.

За събиране само на вода или мокър прах филтърът за вода е по-подходящ от филтъра за прах и предварителния филтър. Когато използвате водния филтър, монтирайте го към горната плоча, като филтъра за прах и предварителния филтър.

► **Фиг.45**

ЗАБЕЛЕЖКА: Използването на воден филтър се препоръчва, когато многократно се събира голямо количество вода. В противен случай способността за засмукване може да бъде намалена при използване на филтъра за прах и предварителния филтър.

Почистване на сензорите за нивото на водата

Сензорите за нивото на водата откриват течността, когато резервоарът се напълни с нея. Почиствайте сензорите за нивото на водата с мека кърпа от време на време, когато сменяте филтрите.

► **Фиг.46:** 1. Сензор за нивото на водата

Съхраняване на принадлежности

Принадлежности и приставки, които не се използват, например накрайници, тръби, и капачка, могат да се съхраняват закачени на куката, от задната страна на прахосмукачката.

► **Фиг.47:** 1. Принадлежност и приставка, които не се използват 2. Капачка

Тръби (с монтиран опционален стопер) могат да се поставят в държача за тръби, когато прахосмукачката не се използва за кратко време.

► **Фиг.48:** 1. Стопер (допълнителна принадлежност) 2. Държач на тръбата

Маркучът може да се съхранява, като се навие хлабаво около корпуса или дръжката на прахосмукачката. Съединете двата му края един към друг, за да се образуват навивки, и закачете навивките на вдигнатата нагоре дръжка. Или оставете съединителния му накрайник, монтиран в отвора за маркуч, и закачете навития маркуч на многофункционалния държач със свободния му край промушен и обърнат нагоре.

► **Фиг.49**

► **Фиг.50**

ДОПЪЛНИТЕЛНИ АКСЕСОАРИ

ВНИМАНИЕ: Препоръчва се използването на тези аксесоари или накрайници с вашия инструмент Makita, описан в настоящото ръководство. Използването на други аксесоари или накрайници може да доведе до опасност от телесни повреди. Използвайте съответния аксесоар или накрайник само по предназначение.

Ако имате нужда от помощ за повече подробности относно тези аксесоари, се обърнете към местния сервизен център на Makita.

- Маркуч
- Предни маншети (22, 24, 38)
- Права тръба
- Ъглов накрайник
- Кръгла четка
- Филтър за прах М, Н (HEPA)
- Амортизатор
- Предварителен филтър
- Филтър за вода
- Блок дюза
- Извита тръба
- Полиетиленова торбичка
- Филтърна торба
- Капачка
- Оригинална акумулаторна батерия и зарядно устройство на Makita
- Безжично устройство
- МАКРАС

ЗАБЕЛЕЖКА: Някои артикули от списъка може да са включени в комплекта на инструмента, като стандартни аксесоари. Те може да са различни в различните държави.

UPOZORENJE

- Ovaj stroj nije namijenjen za djecu i osobe sa smanjenim fizičkim, osjetnim ili mentalnim sposobnostima ili bez iskustva i znanja.
- Djeca moraju biti pod nadzorom kako biste se uvjerali da se ne igraju s usisivačem.
- U poglavlju „SPECIFIKACIJE” potražite referencu o vrsti baterije.
- U odjeljku „Postavljanje ili uklanjanje baterijskog uložaka” potražite upute za uklanjanje ili postavljanje baterije.
- Kada odlažete baterijski uložak u otpad, uklonite ga iz alata i zbrinite na sigurnom mjestu. Pridržavajte se lokalnih zakonskih propisa za zbrinjavanje baterija.
- Ako se alat ne upotrebljava dulje vrijeme, bateriju morate ukloniti iz alata.
- Nemojte kratko spajati baterijski uložak.
- U poglavlju „ODRŽAVANJE” potražite odgovarajuće informacije o mjerama opreza tijekom korisničkog održavanja.

SPECIFIKACIJE

Model:		VC006GM
Maksimalni volumen zraka na kraju crijeva	S crijevom BL4050F, ø28 mm x 3,5 m	2,0 m ³ /min
	S crijevom BL4050F, ø38 mm x 2,5 m	3,7 m ³ /min
Maksimalni volumen zraka na turbini (s BL4050F)		4,9 m ³ /min
Vakuu (s BL4050F)		18 kPa
Obnovljivi kapacitet	Prašina	40 l
	Voda	30 l
Dimenzije (D x Š x V)		586 mm x 385 mm x 598 mm
Nazivni napon		DC 72 V – 80 V maks.
Neto težina		18,4 – 20,8 kg
Stupanj zaštite		IPX4

- Zahvaljujući našem stalnom programu razvoja i istraživanja, navedene specifikacije podložne su promjenama bez obavijesti.
- Specifikacije mogu biti različite ovisno o zemlji.
- Težina ne uključuje dodatni pribor osim baterijskih uložaka. U tablici su prikazane najveća i najmanja ukupna težina uređaja i baterijskih uložaka.

Odgovarajući baterijski uložak i punjač

Baterija	BL4020 / BL4025 / BL4040* / BL4050F* / BL4080F* *: preporučena baterija
Punjač	DC40RA / DC40RB / DC40RC

- Neki od navedenih baterijskih uložaka i punjača možda neće biti dostupni ovisno o regiji u kojoj se nalazite.

⚠ UPOZORENJE: Upotrebljavajte samo navedene baterijske uloške i punjače. Upotreba bilo koje druge vrste baterijskih uložaka i punjača može prouzročiti ozljede i/ili požar.

Simboli

U nastavku su prikazani simboli koji se upotrebljavaju za opremu. Prije korištenja provjerite jeste li razumjeli njihovo značenje.



Pročitajte priručnik s uputama.



Potreban poseban oprez i pozornost.



Upozorenje! Usisavač možda sadrži opasnu prašinu.



Nikad ne stojite na usisavaču.



Na usisavač nikad nemojte staviti ništa teže od 20 kg (44 lbs).



Prašina razreda M (engl. medium – srednje): za odvajanje prašine s graničnom vrijednošću izloženosti na radu ne manjom od 0,1 mg/m³. Usisavači mogu skupljati prašinu razreda L i M. Pridržavajte se lokalnih propisa o prašini te zdravlju i sigurnosti na radu.



Samo za države EU
Zbog prisutnosti opasnih komponenti u opremi, otpadna električna i elektronička oprema, akumulatori i baterije i mogu imati negativan učinak na okoliš i ljudsko zdravlje.
Nemojte odlagati električne i elektroničke uređaje ili baterije s ostalim kućanskim otpadom!
U skladu s Europskom direktivom o otpadnoj električnoj i elektroničkoj opremi, o akumulatorima i baterijama te o otpadnim akumulatorima i baterijama, i njenoj prilagodbi nacionalnim zakonima, otpadna električna oprema, baterije i akumulatori trebali bi se pohranjivati zasebno i isporučivati u odvojena sabirna mjesta za komunalni otpad, koja postupaju u skladu s uredbama o zaštiti okoliša.
To je naznačeno simbolom prekržižene kante za otpad na kotačima koja je postavljena na opremi.

Namjena

Uređaj je namijenjen za skupljanje vlažne i suhe prašine. Uređaj je primjeren za komercijalnu upotrebu, npr. u hotelima, školama, bolnicama, tvornicama, trgovinama, uredima i prostorima u najmu.

Buka

Tipična jačina buke označena s A, određena sukladno EN60335-2-69:

Razina tlaka zvuka (L_{pA}): 70 dB (A) ili manje
Neodređenost (K): 2,5 dB (A)

Razina buke u radu može prelaziti 80 dB (A).

NAPOMENA: Deklarirana vrijednost emisije buke izmjerena je prema standardnoj metodi testiranja i može se rabiti za usporedbu jednog alata s drugim.

NAPOMENA: Deklarirana vrijednost emisije buke također se može rabiti za preliminarnu procjenu izloženosti.

⚠️ UPOZORENJE: Nosite zaštitu za uši.

⚠️ UPOZORENJE: Emisija buke tijekom stvarnog korištenja električnog ručnog alata se može razlikovati od deklariranih vrijednosti emisije, ovisno o načinu na koji se alat rabi, posebice ovisno o tome kakav se izradak izrađuje.

⚠️ UPOZORENJE: Nemojte zaboraviti da identifikirate sigurnosne mjere zaštite rukovatelja koje se temelje na procjeni izloženosti u stvarnim uvjetima korištenja (uzimajući u obzir sve dijelove radnog ciklusa, poput vremena kada je alat isključen i kada on radi u praznom hodu, a također i vrijeme okidanja).

Vibracija

Ukupna vrijednost vibracija (troosni vektorski zbir) izračunata u skladu s EN60335-2-69:
Emisija vibracija (a_{h, n}): 2,5 m/s² ili manje
Neodređenost (K): 1,5 m/s²

NAPOMENA: Deklarirana vrijednost ukupnih vibracija izmjerena je prema standardnoj metodi testiranja i može se rabiti za usporedbu jednog alata s drugim.

NAPOMENA: Deklarirana vrijednost ukupnih vibracija također se može rabiti za preliminarnu procjenu izloženosti.

⚠️ UPOZORENJE: Emisija vibracija tijekom stvarnog korištenja električnog ručnog alata se može razlikovati od deklariranih vrijednosti emisije, ovisno o načinu na koji se alat rabi, posebice ovisno o tome kakav se izradak izrađuje.

⚠️ UPOZORENJE: Nemojte zaboraviti da identifikirate sigurnosne mjere zaštite rukovatelja koje se temelje na procjeni izloženosti u stvarnim uvjetima korištenja (uzimajući u obzir sve dijelove radnog ciklusa, poput vremena kada je alat isključen i kada on radi u praznom hodu, a također i vrijeme okidanja).

Izjava o sukladnosti EZ

Samo za države članice Europske unije

Izjava o sukladnosti EZ u privitku je Priloga A ovih uputa za upotrebu.

SIGURNOSNA UPOZORENJA

Sigurnosna upozorenja za bežični usisavač

⚠️ UPOZORENJE: VAŽNO POZORNO
PROČITAJTE sva sigurnosna upozorenja i sve upute **PRIJE UPO TREBE**. Nepridržavanje upozorenja ili uputa može rezultirati strujnim udarom, požarom i/ili ozbiljnim ozljedama.

1. Prije upotrebe osigurajte da se usisivačem služe samo osobe koje su primile odgovarajuće upute za upotrebu usisivača.
2. Prije upotrebe rukovatelji moraju dobiti informacije, upute i obuku za upotrebu uređaja i materijala za koji će se upotrebljavati te upoznati siguran način uklanjanja i odlaganje prikupljenog materijala.
3. Ako izlazi pjena/tekućina, odmah isključite stroj.
4. Redovno čistite uređaj kako biste ograničili razinu vode i provjeravajte ima li znakova oštećenja.
5. Prije upotrebe uvijek provjerite jesu li filtri ispravno postavljeni. Usisivač nemojte upotrebljavati ako filtri nisu postavljeni. Odmah zamijenite oštećeni filtar. Preporučuje se da imate rezervne filtre jer je to potrošno materijal.
6. **IZBJEGAJTE NEHOTIČNO POKRETANJE.** Prije postavljanja baterije/baterija provjerite je li sklopka ISKLJUČENA.
7. Ne pokušavajte usisavati zapaljive materijale, petarde, upaljene cigarete, vrući pepeo, vruće metalne strugotine, oštre materijale kao što su britve, igle, razbijeno staklo i sl.
8. **NIKADA NE UPOTREBLJAVAJTE USISIVAČ U BLIZINI BENZINA, PLINA, BOJE, LJPILA ILI DRUGIH IZNIMNO ZAPALJIVIH TVARI.** Sklopka iskri prilikom uključivanja i isključivanja. Isto radi i preklopnik motora tijekom rada. Može doći do opasne eksplozije.
9. Nikad nemojte usisavati otrovne, kancerogene, zapaljive ili ostale opasne materijale kao što su azbest, arsen, barij, berilij, olovo, pesticidi ili ostali materijali opasni po zdravlje.
10. Usisivač uvijek postavljajte na vodoravnu i ravnu površinu da biste spriječili njegov pad ili nehotično pomicanje.
11. Nikada ne upotrebljavajte usisivač na otvorenome ako pada kiša.
12. Za Finsku: ovaj stroja nije namijenjen za upotrebu na otvorenom pri niskim temperaturama.
13. Ne upotrebljavajte uređaj u blizini izvora topline (štednjaci itd.).
14. Ako se ispušteni zrak vraća u prostoriju, u njoj morate omogućiti odgovarajuću ventilaciju. Obavezno je pridržavati se nacionalnih propisa.
15. Nemojte blokirati usisne ventilacijske otvore ulaza/izlaza/hlađenja. Ti otvori omogućuju hlađenje motora. Svakako izbjegavajte blokiranje jer će motor u protivnom pregorjeti zbog nedostatka ventilacije.
16. U svakom trenutku imajte odgovarajući oslonac i održavajte ravnotežu.
17. Nemojte savijati, vući ni gaziti crijevo.
18. Odmah zaustavite usisivač ako primijetite da loše radi ili ako primijetite bilo što neobično tijekom rada.
19. **UKLONITE BATERIJU/BATERIJE.** Kada nije u upotrebi, prije servisiranja i kada mijenjate pribor.
20. Očistite i servisirajte usisivač odmah nakon svake upotrebe da bi ostao u optimalnom radnom stanju.
21. **PAŽLJIVO ODRŽAVAJTE USISIVAČ.** Održavajte usisivač čistim da bi radio bolje i sigurnije. Slijedite upute za zamjenu pribora. Držite ručke suhima, čistima te bez ulja i masti.
22. **PROVJERITE IMA LI OŠTEĆENIH DIJELOVA.** Prije daljnje upotrebe usisivača oprezno provjerite oštećeni štitnik ili drugi dio da biste utvrdili hoće li normalno raditi i obavljati funkciju za koju je namijenjen. Provjerite jesu li pokretni dijelovi poravnati i spojeni, ima li slomljenih dijelova, je li sve ispravno montirano i druge uvjete koje mogu utjecati na rad. Oštećeni štitnik ili drugi dio potrebno je popraviti ili zamijeniti u ovlaštenom servisu, osim ako nije drugačije navedeno u ovom priručniku s uputama za upotrebu. Neka ovlaštenu servis zamijeni neispravne sklopke. Ne upotrebljavajte usisivač ako se ne može uključiti ili isključiti sklopkom.
23. Prilikom obavljanja korisničkog servisiranja, prije je potrebno rastaviti, očistiti i servisirati u razumnoj mjeri tako da se osoblje održavanja i ostali ne izlažu opasnosti.
24. Proizvođač ili stručna osoba treba obavljati tehnički pregled uređaja najmanje jednom godišnje koji se sastoji od, primjerice, pregleda oštećenosti filtara, nepropusnosti uređaja i provjere ispravnog rada upravljačkog mehanizma.
25. Prilikom provođenja servisa ili popravka sve kontaminirane komponente koje se ne mogu očistiti na zadovoljavajući način moraju se odložiti u otpad: te se komponente moraju odložiti u neprobijne vrećice u skladu sa svim lokalnim propisima o odlaganju takvog otpada.
26. **REZERVNI DIJELOVI.** Prilikom servisiranja upotrebljavajte iste zamjenske dijelove.
27. **PRIJE POHRANJIVANJA ISKLJUČITE USISIVAČ.** Kad usisivač nije u upotrebi, pohranite ga na zatvorenom.
28. Prije pohrane potrebno je osušiti mokre filtre i unutarnji dio spremnika tekućine.
29. Pažljivo rukujte usisivačem. Grubim rukovanjem može doći do loma čak i najrobusnijih usisivača.
30. Ne pokušavajte čistiti vanjštinu ili unutrašnjost benzenom, razrjeđivačem ili kemikalijama za čišćenje. To može prouzročiti napukline i promjene boje.
31. Ne upotrebljavajte usisivač u zatvorenom prostoru gdje boja na bazi ulja, razrjeđivača boja, benzin, neke tvari protiv moljaca itd. ispuštaju zapaljive, eksplozivne ili toksične pare ili na područjima sa zapaljivom prašinom.
32. Ne upotrebljavajte ovaj ili neki drugi alat ako ste pod utjecajem droga ili alkohola.
33. Općenito, radi sigurnosti nosite zaštitne naočale ili naočale s bočnim štitnicima.
34. Upotrebljavajte masku za prašinu ako radite u prašnjavim uvjetima.
35. Ovaj stroj nije namijenjen za djecu i osobe sa smanjenim fizičkim, osjetnim ili mentalnim sposobnostima ili bez iskustva i znanja.
36. Djeca moraju biti pod nadzorom kako biste se uvjerali da se ne igraju s usisivačem.

37. Ne rukujte baterijom/baterijama ili usisivačem ako su vam mokre ruke.
38. Budite iznimno oprezni kad usisavate na stepenicama.
39. Ne upotrebljavajte usisivač kao stolac ili radnu klupu. Stroj može pasti i uzrokovati ozljede.

Korištenje i održavanje alata na baterije

1. Baterije punite isključivo punjačem koji preporučuje proizvođač. Punjač koji je prikladan za jednu vrstu baterija može uzrokovati opasnost od požara ako se koristi za drugu vrstu baterija.
 2. Ručni alat koristite isključivo s namjenskim i propisanim baterijama. Korištenje bilo koje druge vrste baterija može uzrokovati opasnost od ozljede i požara.
 3. Kad ih ne koristite, baterije držite podalje od drugih metalnih predmeta poput spajalica, kovanica, ključeva, čavala, vijaka i drugih sitnih metalnih predmeta koji mogu uzrokovati spoj između polova. Spajanje polova baterije može uzrokovati opekline ili požar.
 4. Pod djelovanjem sile tekućina može iscuriti iz baterije; izbjegavajte kontakt. Ako slučajno dođe do kontakta, isperite vodom. Ako tekućina dođe u dodir s očima, zatražite dodatnu liječničku pomoć. Tekućina izbačena iz baterije može uzrokovati nadraženost ili opekline.
 5. Ne koristite oštećenu ili preinačenu bateriju ili alat. Oštećene ili preinačene baterije mogu se neočekivano ponašati te prouzročiti požar, eksploziju ili ozljede.
 6. Ne izlažite bateriju ili alat plamenu ili previsokoj temperaturi. Izlaganje plamenu ili temperaturi višoj od 130 °C može prouzročiti eksploziju.
 7. Pridržavajte se svih uputa za punjenje i nemojte puniti bateriju ili alat izvan temperaturnog raspona navedenog u uputama. Neispravno punjenje ili punjenje pri temperaturama izvan navedenog raspona mogu oštetiti bateriju i povećati opasnost od požara.
5. Nemojte kratko spajati bateriju:
 - (1) Ne dovodite terminale u kontakt s provodljivim materijalima.
 - (2) Ne čuvajte bateriju u spremniku s drugim metalnim predmetima poput čavala, kovanica itd.
 - (3) Ne izlažite bateriju vodi ili kiši. Kratki spoj baterije može uzrokovati velik protok struje, pregrijavanje, moguće opekline pa čak i kvar.
 6. Ne držite i ne upotrebljavajte alat i baterijski uložak na mjestima gdje temperatura može premašiti 50 °C (122 °F).
 7. Ne spaljujte bateriju čak ni ako je ozbiljno oštećena ili potpuno istrošena. Baterija može eksplodirati u vatri.
 8. Nemojte zabijati čavle u baterijski uložak, rezati ga, gnječiti, bacati ili udarati tvrdim predmetom. Ti postupci mogu dovesti do požara, pretjeranog zagrijavanja ili eksplozije.
 9. Ne koristite oštećene baterije.
 10. Sadržane litij-ionske baterije podliježu odredbama zakonskih propisa o opasnim tvarima. Kada se radi o komercijalnom transportu koji obavljaju npr. dobavljači ili špediteri, moraju se poštovaliti posebni zahtjevi na pakiranju i oznakama. Prilikom pripreme isporuke takve stavke potražite savjet stručnjaka za opasne tvari. Pogledajte i moguće detaljnije nacionalne propise. Prekrijte trakom ili zaštitite otvorene kontakte i bateriju zapakirajte tako da se ne može pomicati u pakiranju.
 11. Kada odlažete baterijski uložak u otpad, uklonite ga iz alata i zbrinite na sigurnom mjestu. Pridržavajte se lokalnih zakonskih propisa za zbrinjavanje baterija.
 12. Upotrebljavajte baterije samo s proizvodima koje je odobrila tvrtka Makita. Umetanje baterija u neprimkladne proizvode može dovesti do požara, prekomjerne topline, eksplozije ili curenja elektrolita.
 13. Ako se alat ne upotrebljava dulje vrijeme, bateriju morate ukloniti iz alata.
 14. Tijekom i nakon upotrebe baterijski uložak može se zagrijati i prouzročiti opekline višeg ili nižeg stupnja. Pažljivo rukujte vrućim baterijskim ulošcima.
 15. Nemojte dirati priključak alata neposredno nakon upotrebe jer se može zagrijati toliko da prouzroči opekline.
 16. Nemojte dopustiti da krhotine, prašina ili zemlja zapnu u priključcima, otvorima i utorima baterijskog uloška. To može dovesti do pregrijavanja, zapaljenja, eksplozije ili kvara na uređaju ili baterijskom ulošku, što može prouzročiti opekline ili osobne ozljede.
 17. Ako alat ne podržava upotrebu u blizini visokonaponskih električnih vodova, nemojte upotrebljavati baterijski uložak u blizini a visokonaponskih električnih vodova. To može dovesti do neispravnog rada ili kvara alata ili baterijskog uloška.
 18. Bateriju čuvajte podalje od djece.

ČUVAJTE OVE UPUTE.

⚠ UPOZORENJE: NEMOJTE dozvoliti da udobnost ili znanje o proizvodu (stečeno stalnim korištenjem) zamijene strogo pridržavanje sigurnosnih propisa za određeni proizvod. ZLOUPORABA ili nepridržavanje sigurnosnih propisa navedenih u ovom priručniku s uputama mogu prouzročiti ozbiljne ozljede.

Važne sigurnosne upute za bateriju

1. Prije uporabe baterije pročitajte sve upute i oznake upozorenja na (1) punjaču za baterije, (2) bateriji i (3) proizvodu koji koristi baterije.
2. Nemojte rastavljati ili izmjenjivati baterijski uložak. To može dovesti do požara, pretjeranog zagrijavanja ili eksplozije.
3. Ako se vrijeme rada znatno skratilo, odmah prestanite raditi. Može doći do pregrijavanja, mogućih opekline pa čak i eksplozije.
4. Ako vam elektrolit dospje u oči, isperite ih čistom vodom i odmah se obratite liječniku. Tako možete izgubiti vid.

ČUVAJTE OVE UPUTE.

⚠ OPREZ: Uvijek upotrebljavajte originalne baterije Makita. Upotreba baterija koje nisu originalne baterije Makita ili su izmijenjene može dovesti do rasprskavanja baterije i uzrokovati požar, tjelesnu ozljedu ili štetu. To će također poništiti jamstvo tvrtke Makita za alat i punjač Makita.

Savjeti za održavanje najduljeg vijeka trajanja baterije

1. Napunite bateriju prije nego što se potpuno isprazni. Uvijek zaustavite alat i napunite bateriju kad primijetite da alat slabije radi.
2. Nikad ne punite već do kraja napunjenu bateriju. Pretjerano punjenje skraćuje radni vijek baterije.
3. Bateriju punite na sobnoj temperaturi između 10 °C i 40 °C. Vruću bateriju prije punjenja ostavite da se ohladi.
4. Kada ne upotrebljavate baterijski uložak, uklonite ga iz alata ili punjača.
5. Napunite bateriju ako je ne mislite koristiti duže vrijeme (duže od 6 mjeseci).

Važne sigurnosne upute za bežičnu jedinicu

1. Nakon umetanja bežične jedinice nikada nemojte sami otvarati poklopac utora.
2. Nemojte rastavljati ili izmjenjivati bežičnu jedinicu.
3. Držite bežičnu jedinicu podalje od male djece. U slučaju gutanja odmah potražite liječničku pomoć.
4. Bežičnu jedinicu upotrebljavajte samo s alatima Makita.
5. Ne izlažite bežičnu jedinicu kiši ni vlazi.
6. Nemojte upotrebljavati bežičnu jedinicu na mjestima na kojima temperatura premašuje 50 °C.
7. Nemojte upotrebljavati bežičnu jedinicu na mjestima na kojima se nalaze medicinski instrumenti, npr. ako su u blizini pejsmejkeri.
8. Nemojte upotrebljavati bežičnu jedinicu na mjestima na kojima se nalaze automatski uređaji. Ako automatski uređaji rade, može doći do kvara ili poremećaja.
9. Nemojte upravljati bežičnom jedinicom na mjestima s visokom temperaturom ili na mjestima gdje može doći do statičkog elektriciteta ili električnog šuma.
10. Bežična jedinica može proizvesti elektromagnetska polja (EMP), ali ona nisu štetna za korisnika.
11. Bežična je jedinica precizan instrument. Pazite da vam bežična jedinica ne ispadne ili da je ne udarite.
12. Izbjegavajte dodirivati priključak bežične jedinice golim rukama ili metalnim predmetima.
13. Uvijek uklonite bateriju iz proizvoda pri umetanju bežične jedinice.

14. Kad otvarate poklopac utora, izbjegavajte mjesta na kojima može doći do ulaska prašine i vode u utor. Uvijek održavajte ulaz utora čistim.
15. Uvijek umetnite bežičnu jedinicu u ispravnom smjeru.
16. Nemojte pritiskati gumb za aktivaciju bežične jedinice prejako i/ili ga pritiskati predmetom koji ima oštar rub.
17. Uvijek zatvorite poklopac utora prilikom rada.
18. Nemojte uklanjati bežičnu jedinicu iz utora dok je aktivno napajanje alata. U protivnom može doći do kvara bežične jedinice.
19. Nemojte uklanjati naljepnicu s bežične jedinice.
20. Nemojte stavljati bilo kakve naljepnice na bežičnu jedinicu.
21. Nemojte ostavljati bežičnu jedinicu na mjestu gdje može doći do statičkog elektriciteta ili električnog šuma.
22. Nemojte ostavljati bežičnu jedinicu na mjestu izloženom velikoj toplini, primjerice na sjedalu u automobilu izloženom suncu.
23. Nemojte ostavljati bežičnu jedinicu na prašnjavom mjestu ili na mjestu gdje može nastati korozivni plin.
24. Iznenadna promjena temperature može izazvati rošenje bežične jedinice. Nemojte upotrebljavati bežičnu jedinicu dok se potpuno ne osuši.
25. Prilikom čišćenja bežične jedinice nježno je obrišite suhom i mekanom krpom. Nemojte upotrebljavati benzin, razrjeđivač, provodljivu mast ili slično.
26. Bežičnu jedinicu pohranite u priloženoj kutiji ili antistatičkom spremniku.
27. Nemojte umetati bilo kakve uređaje osim bežične jedinice Makita u utor na alatu.
28. Nemojte upotrebljavati alat ako je poklopac utora oštećen. Voda, prašina i prljavština mogu prodrijeti u utor i prouzročiti kvar.
29. Nemojte povlačiti i/ili izvijati poklopac utora više nego što je potrebno. Vratite poklopac ako spadne s alata.
30. Zamijenite poklopac utora ako ga izgubite ili oštetite.

ČUVAJTE OVE UPUTE.

FUNKCIONALNI OPIS

⚠ OPREZ: Prije prilagodbe ili provjere rada uređaja obavezno provjerite je li uređaj isključen i jesu li baterijski ulošci uklonjeni.

Umetanje ili uklanjanje baterije

⚠ OPREZ: Alat sustavno isključujte prije umetanja ili uklanjanja baterije.

⚠ OPREZ: Čvrsto držite usisivač i baterijski uložak pri umetanju ili uklanjanju baterijskog uloška. Ako usisivač i baterijski uložak ne držite čvrsto, mogli bi vam iskliznuti iz ruku te oštetiti usisivač i baterijski uložak ili uzrokovati tjelesnu ozljedu.

⚠ OPREZ: Pazite da ne pričepite prste kada otvarate ili zatvarate poklopac baterije. U suprotnom može doći do tjelesnih ozljeda.

Da biste postavili baterijski uložak, prvo oslobodite blokadu, a zatim otvorite poklopac baterije. Potom umetnite baterijski uložak.

► **SI.1:** 1. Blokada 2. Poklopac baterije

Poravnajte jezičac na baterijskom ulošku s otvorom na kućištu i gurnite ga na mjesto. Umetnite bateriju skroz do kraja, dok ne sjedne na svoje mjesto uz mali klik. Zatim blokirajte poklopac baterije.

► **SI.2:** 1. Baterijski uložak 2. Gumb

Baterijski uložak uklonite tako da ga klizno pomaknete iz alata dok klizno pomičete gumb na prednjoj strani uloška.

⚠ OPREZ: Pazite da uvijek umetnete baterijski uložak do kraja. U suprotnom može slučajno ispasti iz usisivača, što može dovesti do ozljede vas ili nekoga u blizini.

⚠ OPREZ: Ne umećite bateriju silom. Ako baterija ne klizne lagano, znači da nije ispravno umetnuta.

NAPOMENA: Usisivač ne radi samo s jednim baterijskim uloškom.

Prikaz preostalog kapaciteta baterije

Pritisnite gumb za provjeru na bateriji kako biste proveli preostali kapacitet baterije. Žaruljica indikatora zasvijetliće na nekoliko sekundi.

► **SI.3:** 1. Žaruljice indikatora 2. Gumb za provjeru

Žaruljice indikatora			Preostali kapacitet
Svijetli	Isključeno	Treperi	
■	□	◐	75 % do 100 %
■	■	□	50 % do 75 %
■	□	□	25 % do 50 %
■	□	□	0 % do 25 %
◐	□	□	Napunite bateriju.

Žaruljice indikatora			Preostali kapacitet
Svijetli	Isključeno	Treperi	
■	□	◐	Baterija je možda neispravna.

NAPOMENA: Ovisno o uvjetima upotrebe i temperaturi okoline, prikaz indikatora može se donekle razlikovati od stvarnog kapaciteta.

NAPOMENA: Prva (krajnja lijeva) žaruljica indikatora treperit će dok radi sustav za zaštitu baterije.

Indikatori baterije na upravljačkoj ploči

Preostali kapacitet baterije može se u bilo kojem trenutku očitati na upravljačkoj ploči. Pritisnite gumb za provjeru, a lijevi i desni indikatori prikazat će razinu odgovarajuće baterije.

► **SI.4:** 1. Indikator lijeve baterije 2. Indikator desne baterije 3. Gumb za provjeru

► **SI.5**

Stanje indikatora baterije			Preostali kapacitet baterije
Uključeno	Isključeno	Treperi	
■	□	◐	50 % do 100 %
■	■	□	20 % do 50 %
■	□	□	0 % do 20 %
◐	□	□	Napunite bateriju
◐	□	□	Baterija nije umetnuta

NAPOMENA: Indikator baterije radi dok su umetnute dvije baterije.

NAPOMENA: Indikatori baterije također će se aktivirati kad usisivač počne raditi.

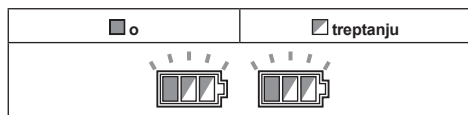
Sustav zaštite uređaja / baterije

Uređaj je opremljen sustavom za zaštitu uređaja/baterije. Sustav automatski prekida napajanje motora da bi produžio radni vijek uređaja i baterije. Uređaj automatski prestaje raditi ako se uređaj ili baterija nađu u nekom od sljedećih uvjeta:

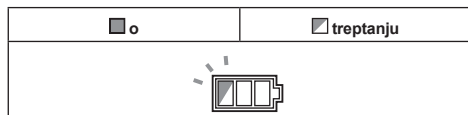
Zaštita od preopterećenja

Ako se uređajem/baterijom rukuje na način koji dovodi do neuobičajeno velike potrošnje struje, alat se automatski zaustavlja. U tom slučaju isključite uređaj i prestanite ga upotrebljavati na način koji je izazvao preopterećenje. Zatim uključite uređaj kako biste ga ponovno pokrenuli.

Zaštita od pregrijavanja



Kada se uređaj pregrije, automatski se zaustavlja, a oba indikatora lijeve i desne baterije trepere. U tom slučaju pričekajte da se uređaj ohladi i očistite filtre prije nego što ga ponovno uključite.



Kada se baterija pregrije, uređaj se automatski zaustavlja i treperi jedan od indikatora pregrijane baterije. U tom slučaju pričekajte da se baterija ohladi prije nego što uređaj ponovno uključite.

Zaštita od prekomjernog pražnjenja

Ako je kapacitet baterije preslab, uređaj se automatski zaustavlja. Ako uređaj ne radi zajedno s funkcijom prebacivanja, uklonite baterije iz uređaja i napunite ih.

Zaštita od ostalih uzroka

Sustav zaštite napravljen je i za ostale uzroke koji bi mogli oštetiti uređaj i omogućuju automatsko zaustavljanje alata. Poduzmite sve sljedeće korake da biste otklonili uzroke kada je uređaj privremeno zaustavljen ili prestao s radom.

1. Isključite uređaj pa ga ponovno uključite da biste ga pokrenuli.
2. Napunite jednu ili više baterija ili ih zamijenite napunjenim baterijama.
3. Pustite da se uređaj i jedna ili više baterija ohlade.

Ako obnavljanje sustava zaštite nije dovelo do poboljšanja, obratite se lokalnom servisnom centru tvrtke Makita.

Uključivanje i isključivanje

Uključivanje usisivača

1. Okrenite prekidač za stanje pripravnosti u položaj „I“ (uključeno) ili „AUTO“ (uključeno) da biste usisivač postavili u stanje pripravnosti.
2. Pritisnite gumb za uključivanje. Da biste usisivač vratili u stanje pripravnosti, ponovno pritisnite gumb za uključivanje.

Isključivanje usisivača

Provedite jedan od sljedećih koraka.

- Pritisnite gumb za uključivanje da biste usisivač vratili u stanje pripravnosti.
- Okrenite prekidač za stanje pripravnosti u položaj „O“ (isključeno).

Namještanje usisne snage

Usisna snaga može se namjestiti sukladno radnim potrebama.

- Gumb za namještanje usisne snage okrenite ulijevo da biste smanjili usisnu snagu.
- Gumb za namještanje usisne snage okrenite udesno da biste povećali usisnu snagu.

Odabir promjera crijeva

Brojčanik za odabir promjera crijeva okrenite na promjer crijeva koji ćete koristiti.

NAPOMENA: Ne okrećite brojčanik na razmak između dva broja. Brojčanik uvijek okrećite u skladu s promjerom crijeva.

- **Sl.6:** 1. Prekidač za stanje pripravnosti 2. Kotačić za namještanje usisne snage 3. Brojčanik za odabir promjera crijeva 4. Gumb za uključivanje

NAPOMENA: Kada usisavač ne upotrebljavate dulje vrijeme, uvijek postavite prekidač za stanje pripravnosti na stranu „O“. Dok se nalazi u stanju pripravnosti usisavač troši struju.

Signal upozorenja

Postoje dvije vrste zvuka upozorenja. Jedan je kratak, a drugi dugotrajan.

- Kad brzina zračnog toka padne ispod 20 m/s, usisavač ispušta kratke signale upozorenja iz sigurnosnih razloga. Kad čujete te signale, provjerite brojčanik za odabir promjera crijeva ili se uvjerite da usisna snaga nije preniska. Ako se signali i dalje oglašavaju, izvršite održavanje ili se obratite lokalnom servisu.
- Kad se spremnik napuni tekućinom, usisavač ispušta dugotrajni signal upozorenja i automatski se zaustavlja. Nakon što se zaustavi, isključite usisivač i ispraznite spremnik.

Automatsko zaustavljanje usisavanja tijekom usisavanja u vlažnim uvjetima

⚠ UPOZORENJE: Nemojte usisavati pjenu ili sapunastu tekućinu. To može dovesti do toga da pjena izađe iz izlaza za zrak. Nastavak rada u takvim uvjetima može prouzročiti strujni udar i kvar usisivača.

Usisivač ima mehanizam koji sprečava upijanje vode u motor kad usižete više od određene količine vode. Kad se spremnik napuni tekućinom, usisavač ispušta dugotrajni signal upozorenja i automatski se zaustavlja. Nakon što se zaustavi, isključite usisivač i ispraznite spremnik.

Sustav za čišćenje filtra

Ovaj kućanski uređaj ima ugrađen sustav za čišćenje filtra. Tijekom upotrebe uređaja sustav za čišćenje filtra automatski otprašuje filtre kako bi se spriječilo smanjenje usisne sile zbog začepljenja filtera.

Ako uređaj istodobno usisa veliku količinu prašine, može se smanjiti usisna sila. U tom se slučaju preporučuje ručno čišćenje filtra.

1. Isključite uređaj.
 2. Postavite snagu usisavanja na najveću, a zatim dlanom zatvorite otvor usisnog crijeva.
 3. Uključite uređaj i pustite ga da radi približno 15 sekundi sa zatvorenim otvorom na usisnom crijevu.
- **SI.7:** 1. Otvor usisnog crijeva

NAPOMENA: Može doći do promjene zračnog obujma dok se sustav za čišćenje filtra aktivira, no nije riječ o kvaru.

Ispuštanje vode

Kad se spremnik napuni tekućinom, isključite usisavač i otvorite poklopac za ispuštanje vode kako biste ispraznili spremnik.

- **SI.8:** 1. Poklopac za ispuštanje vode

Poklopac

Poklopac se isporučuje s uređajem. Montiranjem poklopca na priključni otvor crijeva sprječava se da usisana prašina izađe iz usisavača.

- **SI.9:** 1. Poklopac

Blokiranje i deblokiranje kotačića

Prednji se kotačići mogu blokirati s pomoću zaustavljača koji pomaže da usisavač miruje.

Rukom spustite ručicu zaustavljača da biste blokirali kotačić i podignite ju da biste ga oslobodili.

- **SI.10:** 1. Kotač 2. Ručica zaustavljača 3. Položaj FREE (slobodan) 4. Položaj LOCK (blokirano)

NAPOMENA: Kada pomičete usisivač, provjerite je li kotač deblokiran. Pomicanje usisivača dok je kotačić u blokiranom položaju može oštetiti kotačić.

Ručka za nošenje

OPREZ: Uređaj pažljivo podignite i prenosite. Ako to ne učinite, može doći do ozljeda ili oštećenja uređaja.

Kada nosite usisivač, nosite ga držeći ručku na glavnoj jedinici. Ručka se uvlači u gornjem dijelu kada se ne upotrebljava.

- **SI.11**

Ako uređaj ne možete nositi sami, nosite ga udvoje kako je prikazano na slici.

- **SI.12**

- **SI.13**

MONTAŽA

UPOZORENJE: Ova jedinica možda sadrži opasnu prašinu. Kad mijenjate filtracijske elemente i vreću za prašinu ili tijekom održavanja, uvijek upotrebljavajte masku P2.

OPREZ: Prije izvođenja bilo kakve radnje na uređaju obavezno provjerite je li uređaj isključen, a baterijski ulošci izvađeni.

Umetanje i odlaganje filtarske vrećice

UPOZORENJE: Uvijek upotrebljavajte masku P2.

UPOZORENJE: Prije upotrebe filtarske vrećice pripazite da se zajedno upotrebljavaju filtarske jedinice. Ako zajedno ne upotrebljavate filtarsku jedinicu, može doći do neobičnih zvukova i topline, a time i požara.

UPOZORENJE: Pri upotrebi uređaja s prašinom razreda M, uvijek upotrebljavajte filtarsku vrećicu.

NAPOMENA: Nikad ne usisavajte vodu ili druge tekućine ili vlažnu prašinu prilikom upotrebe filtarske vrećice. Usisavanjem takvih stvari može puknuti filtarska vrećica.

1. Otpustite kuke za zaključavanje i podignite glavnu jedinicu sa spremnika.
- **SI.14:** 1. Kuka za zaključavanje
2. Rasklopite filtarsku vrećicu.
 3. Poravnajte otvor filtarske vrećice s otvorom za usis prašine spremnika.
 4. Umetnite karton filtarske vrećice u alat tako da se nalazi na kraju iznad zadržne izbočine.
- **SI.15:** 1. Filtarska vrećica 2. Otvor kartonske kutije 3. Držak filtarske vrećice 4. Usis prašine 5. Rub

Prilikom odlaganja filtarske vrećice povucite rub otvora filtarske vrećice tako da se otvor zatvori papirom.

Postavljanje polietilenske vrećice

Dodatni pribor

Polietilensku vrećicu položite preko spremnika i umetnite jednu stranu gornjeg ruba vrećice u njegov otvor između ploče držača i prednje stijenke spremnika. Zatim raširite preostale gornje rubove vrećice prema van preko gornjih rubova spremnika. Polietilenska vrećica može se upotrebljavati s filtarskom vrećicom.

- **SI.16:** 1. Ploča držača 2. Prednja stijenka spremnika 3. Polietilenska vrećica

NAPOMENA: Može se upotrebljavati polietilenska vrećica dostupna na tržištu. Preporučuje se ona debljine preko 0,04 mm i opsega preko 2.000 mm.

NAPOMENA: Previše prašine lako će poderati polietilensku vrećicu pa je nemojte prepuniti. Odlaganje teške vrećice može opteretiti ljudsko tijelo.

Pražnjenje spremnika s polietilenskom vrećicom

⚠ UPOZORENJE: Prije pražnjenja spremnika obavezno provjerite jeste li isključili usisivač i uklonili baterijske uloške. U protivnom može doći do strujnog udara i ozbiljnih tjelesnih ozljeda.

NAPOMENA: Ispraznite spremnik barem jednom dnevno, iako to ovisi o količini usisane prašine u spremniku. Inače će se smanjiti usisna snaga i može se pokvariti motor.

NAPOMENA: Nemojte držati kuke za zaključavanje dok praznite spremnik. Ako se kuke za zaključavanje drže, to može prouzročiti njihovo pucanje.

1. Otpustite kuke za zaključavanje i podignite glavnu jedinicu sa spremnika.
 2. Izvadite polietilensku vrećicu iz spremnika zatvarajući otvor vrećice rukom.
- ▶ **SI.17:** 1. Polietilenska vrećica 2. Spremnik

NAPOMENA: Polietilensku vrećicu pažljivo vadite iz spremnika kako biste izbjegli da se ogrebe i podere na rubovima u spremniku.

NAPOMENA: Ispraznite polietilensku vrećicu prije nego što se napuni. Previše prašine u spremniku može poderati polietilensku vrećicu.

Ugradnja crijeva

NAPOMENA: Nikad nemojte savijati ni gaziti crijevo. Usisivač nikada nemojte pomicati držeći ga za crijevo. Nasilno rukovanje, gaženje i povlačenje crijeva može uzrokovati lom ili izobličenje crijeva.

NAPOMENA: Kada usisavate veliki otpad kao što su izblanzani dijelovi, betonska prašina ili sličan otpad koji nije malen, upotrebljavajte crijevo unutarnjeg promjera od 38 mm (dodatni pribor). Upotrebom crijeva unutarnjeg promjera 28 mm (dodatni pribor) crijevo se može začepiti i oštetiti.

NAPOMENA: Uvijek stavite poklopac na ulaz za montažu kad uklanjate crijevo iz usisivača.

Spajanje na usisivač

Uklonite poklopac s ulaza za montažu. Poklopac se može pohraniti na stražnjem dijelu usisivača dok je crijevo priključeno na usisivač.

▶ **SI.18:** 1. Poklopac

Umetnite kraj crijeva u usis prašine (ulaz crijeva) usisivača, a zatim ga okrenite u smjeru kazaljke na satu dok se ne zaključa na mjestu.

▶ **SI.19:** 1. Crijevo 2. Usis prašine (ulaz crijeva)

Priključci s vaši radnim alatima (Ovisno o državi)

Kada usisivač prašine spojite na bilo koji dostupan alat kompatibilan s usisivačem, on radi kao dodatak za usisavanje prašine električnog alata.

Odaberite jednu od prednjih manšeta ili zglobova (dodatna oprema) koji najbolje odgovaraju vašem modelu alata. Postavite manšetu ili zglob, ako je potrebno, između prednjeg kraja crijeva usisivača i otvora za usis prašine vašeg alata.

▶ **SI.20:** 1. Prednje manšete ili zglob 2. Crijevo usisivača 3. Električni alat 4. Usisivač prašine

Postavljanje ili skidanje dodatnog pribora usisivača

⚠ OPREZ: Nakon postavljanja nastavka provjerite je li sigurno postavljen. Ako nastavak nije savršeno postavljen, može se otpustiti i prouzročiti ozljedu.

Upotreba nastavka bez funkcije blokiranja

Dodatni pribor

Priključak umetnite u otvor za usis usisivača tako da ga gurnete i rukom zavijete na mjestu.

Priključak rukom zavrnite i izvucite iz otvora za usis nakon upotrebe.

▶ **SI.21**

Ugradnja MAKPAC-a

Dodatni pribor

⚠ OPREZ: Nemojte stajati ni sjediti na uređaju. Može se prevrnuti zbog nestabilnosti.

⚠ OPREZ: Budite oprezni u radu prilikom ugradnje MAKPAC-a. Ako to ne učinite, može doći do ozljeda ili oštećenja uređaja.

⚠ OPREZ: Kad se MAKPAC ugradi na uređaj, nemojte podizati uređaj za ručku MAKPAC-a.

⚠ OPREZ: Prilikom pomicanja uređaja na koji je ugrađen MAKPAC, nemojte gurati MAKPAC nego tijelo uređaja. Guranjem MAKPAC-a mogu se slomiti zatvarači i MAKPAC može pasti, što može prouzročiti tjelesnu ozljedu.

Kutije za spremanje MAKPAC-a koje se mogu spajati i slagati mogu se postaviti iznad usisivača. Kutije su dostupne u brojnim veličinama i različitog izgleda tako da odgovaraju vašim željama.

1. Rasklopite zatvarače na gornjoj plohi usisivača.

▶ **SI.22:** 1. Zatvarač

2. Montirajte kutije MAKPAC na gornju plohu usisivača i pričvrstite ih zatvaračima.

▶ **SI.23:** 1. Zatvarač 2. MAKPAC

Maksimalna visina i težina ugrađenog MAKPAC-a iznose 315 mm odnosno 20 kg.

▶ **SI.24**

RAD

⚠ UPOZORENJE: Uvijek koristite P2-respirator.

⚠ OPREZ: Ako iz alata izlazi pjena ili tekućina, odmah ga isključite. Nastavak rada u tim uvjetima može prouzročiti strujni udar i lom usisivača.

FUNKCIJA AKTIVACIJE BEŽIČNE JEDINICE

Dodatni pribor

Što možete raditi s funkcijom aktivacije bežične jedinice

Funkcija aktivacije bežične jedinice omogućuje čist i ugodan rad. Priključivanjem kompatibilnog alata na usisivač možete upotrebljavati usisivač automatski pomoću funkcije prebacivanja alata.

► **SI.25**

NAPOMENA: Prilikom upotrebe usisivača s funkcijom aktivacije bežične jedinice svakako pogledajte priručnik s uputama za alat.

NAPOMENA: Nemojte rastavljati ili izmjenjivati bežičnu jedinicu.

NAPOMENA: Da biste spriječili ulazak prašine u utor bežične jedinice, uvijek čvrsto zatvorite poklopac tijekom rada i skladištenja.

NAPOMENA: Nemojte pritiskati gumb za aktivaciju bežične jedinice preako i/ili ga pritiskati predmetom koji ima oštar rub.

NAPOMENA: Da bi aktivacija bežične jedinice funkcionirala, alati tvrtke Makita moraju biti opremljeni bežičnom jedinicom.

NAPOMENA: Prije prve upotrebe funkcije aktivacije bežične jedinice u kombinaciji s bilo kojim alatom alat je potrebno registrirati. Nakon dovršetka registracije alata alat nije potrebno ponovno registrirati osim u slučaju poništavanja registracije.

NAPOMENA: Prije registracije svakako provjerite je li bežična jedinica ispravno umetnuta.

NAPOMENA: Jedna bežična jedinica može registrirati do 10 veza s drugim bežičnim jedinicama. Ako je na jednu bežičnu jedinicu registrirano više od 10 drugih bežičnih jedinica, ona koja je prva registrirana automatski će se poništiti.

NAPOMENA: Položaj gumba za aktivaciju bežične jedinice razlikuje se ovisno o alatu.

NAPOMENA: Usisivač se također pokreće pritiskom na gumb za uključivanje kada je prekidač za stanje pripravnosti postavljen u položaj „AUTO”. Međutim, gumb za uključivanje neće se aktivirati ako je u upotrebi funkcija aktivacije bežične jedinice.

Umetanje bežične jedinice

⚠ UPOZORENJE: Poklopac otvorite samo pri prvom umetanju bežične jedinice. Nikad ne otvarajte poklopac nakon što je umetnete.

⚠ OPREZ: Prilikom umetanja bežične jedinice postavite usisivač na ravnu i čvrstu površinu.

NAPOMENA: Očistite prašinu i prljavštinu s usisivača prije nego što umetnete bežičnu jedinicu. Prašina ili prljavština mogu prouzročiti kvar ako prodru u utor bežične jedinice.

NAPOMENA: Kako biste spriječili kvar prouzročen statičkim elektricitetom, dodirnite materijal sa statičkim pražnjenjem, npr. neki metalni dio, prije nego što uzmete bežičnu jedinicu.

NAPOMENA: Pri umetanju bežične jedinice uvijek provjerite je li bežična jedinica umetnuta u pravilnom smjeru i je li poklopac potpuno zatvoren.

1. Otpustite vijak kako biste otvorili poklopac na usisivaču kako je prikazano na slici.

► **SI.26:** 1. Poklopac 2. Vijak

2. Umetnite bežičnu jedinicu u utor.

Pri umetanju bežične jedinice poravnajte izbočine s udubljenim dijelovima utora.

► **SI.27:** 1. Bežična jedinica 2. Izbočina 3. Poklopac 4. Udubljeni dio

3. Potpuno pritegnite vijak da zatvorite poklopac.

Registracija alata za usisivač

NAPOMENA: Za registraciju alata potreban je usisivač tvrtke Makita koji podržava funkciju aktivacije bežične jedinice.

NAPOMENA: Prije registracije alata umetnite bežičnu jedinicu u alat.

NAPOMENA: Tijekom registracije alata nemojte povlačiti uključno/isključnu sklopku ili uključivati sklopku napajanja usisivača.

NAPOMENA: Pogledajte i priručnik s uputama za usisivač.

Ako želite aktivirati usisivač zajedno s funkcijom prebacivanja alata, najprije dovršite registraciju alata.

1. Umetnite bežične jedinice u usisivač i u alat, tim redoslijedom.

2. Umetnite baterije u usisivač i alat.

3. Postavite prekidač za stanje pripravnosti na usisivaču u položaj „AUTO”.

► **SI.28:** 1. Prekidač za stanje pripravnosti

4. Pritisnite gumb za aktivaciju bežične jedinice na usisivaču i držite 3 sekunde dok žaruljica aktivacije bežične jedinice ne počne treperiti zeleno. Zatim na isti način pritisnite gumb za aktivaciju bežične jedinice na alatu.

► **SI.29:** 1. Gumb za aktivaciju bežične jedinice 2. Žaruljica aktivacije bežične jedinice

Ako su usisivač i alat uspješno povezani, žaruljice aktivacije bežične jedinice zasvijetlit će zeleno u trajanju od 2 sekunde i početi treperiti plavo.

NAPOMENA: Žaruljice aktivacije bežične jedinice prestat će treperiti zeleno nakon 20 sekundi. Pritisnite gumb za aktivaciju bežične jedinice na alatu dok na usisivaču treperi žaruljica aktivacije bežične jedinice. Ako žaruljica aktivacije bežične jedinice ne treperi zeleno, nakratko ponovno pritisnite i držite gumb za aktivaciju bežične jedinice.

NAPOMENA: Ako registrirate dva ili više alata za usisivač, registracije dovršite pojedinačno.

Pokretanje funkcije aktivacije bežične jedinice

NAPOMENA: Dovršite registraciju alata za usisivač za funkciju aktivacije bežične jedinice.

NAPOMENA: Usisivač uvijek postavite tako da možete vidjeti status žaruljice aktivacije bežične jedinice.

NAPOMENA: Pogledajte i priručnik s uputama za usisivač.

Nakon što registrirate alat za usisivač, usisivač automatski radi s funkcijom prebacivanja alata.

1. Umetnite bežične jedinice u usisivač i u alat, tim redoslijedom.
2. Umetnite baterije u usisivač i alat.
3. Priključite crijevo usisavača na alat.
▶ **SI.30**
4. Postavite prekidač za stanje pripravnosti na usisivaču u položaj „AUTO”.
▶ **SI.31:** 1. Prekidač za stanje pripravnosti
5. Kratko pritisnite gumb za aktivaciju bežične jedinice na alatu. Žaruljica aktivacije bežične jedinice zatreperit će plavo.
▶ **SI.32:** 1. Gumb za aktivaciju bežične jedinice
2. Žaruljica aktivacije bežične jedinice
6. Uključite alat. Provjerite radi li usisivač dok je alat u pogonu.

⚠ OPREZ: Uvijek provjerite radi li funkcija aktivacije bežične jedinice prije nego što počnete raditi s alatom.

Da biste prekinuli aktivaciju bežične jedinice, pritisnite gumb za aktivaciju bežične jedinice na alatu ili postavite prekidač za stanje pripravnosti na usisivaču u položaj „I” ili „O”.

NAPOMENA: Žaruljica aktivacije bežične jedinice na alatu prestat će treperiti plavo ako nema aktivnosti u trajanju od 2 sata. U tom slučaju postavite prekidač za stanje pripravnosti na usisivaču u položaj „AUTO” i ponovno pritisnite gumb za aktivaciju bežične jedinice.

NAPOMENA: Usisivač se pokreće ili zaustavlja s odgodom. Ako usisivač otkrije funkciju prebacivanja na alatu, dolazi do vremenske odgode.

NAPOMENA: Udaljenost prijenosa bežične jedinice može se razlikovati ovisno o lokaciji i okolnim uvjetima.

NAPOMENA: Ako je dva ili više alata registrirano za jedan usisivač, usisivač može početi raditi čak i ako ne uključite svoj alat jer drugi korisnik koristi funkciju bežične aktivacije.

Poništavanje registracije alata za usisivač

Prilikom poništavanja registracije alata za usisivač provedite sljedeće korake.

1. Umetnite bežične jedinice u usisivač i u alat, tim redoslijedom.
2. Umetnite baterije u usisivač i alat.
3. Postavite prekidač za stanje pripravnosti na usisivaču u položaj „AUTO”.
▶ **SI.33:** 1. Prekidač za stanje pripravnosti
4. Pritisnite gumb za aktivaciju bežične jedinice na usisivaču i držite 6 sekundi. Žaruljica aktivacije bežične jedinice najprije treperi zeleno, a zatim crveno. Nakon toga, na isti način pritisnite gumb za aktivaciju bežične jedinice na alatu.
▶ **SI.34:** 1. Gumb za aktivaciju bežične jedinice
2. Žaruljica aktivacije bežične jedinice

Ako je poništavanje bilo uspješno, žaruljice aktivacije bežične jedinice zasvijetlit će crveno u trajanju od 2 sekunde i početi treperiti plavo.

NAPOMENA: Žaruljice aktivacije bežične jedinice prestat će treperiti crveno nakon 20 sekundi. Pritisnite gumb za aktivaciju bežične jedinice na alatu dok na usisivaču treperi žaruljica aktivacije bežične jedinice. Ako žaruljica aktivacije bežične jedinice ne treperi crveno, nakratko ponovno pritisnite i držite gumb za aktivaciju bežične jedinice.

Brisanje svih registracija alata

Sve registracije alata s usisivača možete izbrisati na sljedeći način.

- ▶ **SI.35:** 1. Prekidač za stanje pripravnosti 2. Gumb za aktivaciju bežične jedinice 3. Žaruljica aktivacije bežične jedinice
1. Umetnite bežičnu jedinicu u usisivač.
 2. Umetnite baterije u usisivač.
 3. Postavite prekidač za stanje pripravnosti u položaj „AUTO”.
 4. Držite gumb za aktivaciju bežične jedinice 6 sekundi sve dok žaruljica aktivacije bežične jedinice ne počne treperiti crveno (dvaput u jednoj sekundi).
 5. Nakon što žaruljica aktivacije bežične jedinice počne treperiti crveno, maknite prst s gumba za aktivaciju bežične jedinice. Zatim ponovno držite gumb za aktivaciju bežične jedinice 6 sekundi.
 6. Nakon što žaruljica aktivacije bežične jedinice počne brzo treperiti crveno (5 puta u jednoj sekundi), maknite prst s gumba za aktivaciju bežične jedinice. Kada žaruljica aktivacije bežične jedinice zasvijetli crveno, a potom se ugasi, to znači da su sve registracije izbrisane.

NAPOMENA: Ako žaruljica aktivacije bežične jedinice ne treperi crveno, nakratko pritisnite gumb za aktivaciju bežične jedinice i pokušajte ponovno.

Opis statusa žaruljice aktivacije bežične jedinice

- **SI.36:** 1. Gumb za aktivaciju bežične jedinice
2. Žaruljica aktivacije bežične jedinice

Žaruljica aktivacije bežične jedinice prikazuje status funkcije aktivacije bežične jedinice. Značenje statusa žaruljice možete pogledati u tablici u nastavku.

Status	Žaruljica aktivacije bežične jedinice			Opis	
	Boja	<input type="checkbox"/> Uključeno	<input type="checkbox"/> Treperi		Trajanje (približno)
Stanje pripravnosti	Plavo	<input checked="" type="checkbox"/>		Usisivač: neprekidno Alat: 2 sata	Čekanje na registraciju alata ili je dostupna funkcija aktivacije bežične jedinice. Žaruljica na usisivaču treperi kada je prekidač za stanje pripravnosti postavljen u položaj „AUTO“. Žaruljica na alatu treperi kada je pritisnut gumb za aktivaciju bežične jedinice. Žaruljica na alatu automatski se isključuje ako nema aktivnosti u trajanju od 2 sata.
		<input type="checkbox"/>		Kad alat radi.	Dostupna je aktivacija bežične jedinice usisivača i alat radi.
Registracija alata	Zeleno	<input checked="" type="checkbox"/>		20 sekundi	Spremno za registraciju alata. Pretraživanje alata za registraciju.
		<input type="checkbox"/>		2 sekunde	Registracija alata je dovršena. Žaruljica aktivacije bežične jedinice zatreperit će plavo.
Poništavanje/brisanje registracije alata	Crveno	<input checked="" type="checkbox"/> (sporo: 2 puta/sek.)		20 sekundi	Spremno za poništavanje registracije alata. Pretraživanje alata za poništavanje.
		<input checked="" type="checkbox"/> (brzo: 5 puta/sek.)		Nakon pritiska gumba za aktivaciju bežične jedinice.	Spremno za brisanje svih registracija alata.
		<input type="checkbox"/>		2 sekunde	Registracija alata je poništena/izbrisana. Žaruljica aktivacije bežične jedinice zatreperit će plavo.
Ostalo	Crveno	<input type="checkbox"/>		3 sekunde	Uspostavlja se napajanje bežične jedinice i pokreće se funkcija aktivacije bežične jedinice.
	Isključeno	-		-	Prekidač za stanje pripravnosti nije postavljen u položaj „AUTO“.

Rješavanje problema funkcije aktivacije bežične jedinice

Prije nego zatražite popravak, sami pregledajte stroj. Ako pronađete problem za koji ne postoji objašnjenje u uputama, nemojte pokušavati rastaviti alat. Umjesto toga obratite se ovlaštenom servisnom centru tvrtke Makita koji za popravke uvijek koristi zamjenske dijelove tvrtke Makita.

Stanje nepravilnosti	Mogući uzroci (kvar)	Otklanjanje problema
Žaruljica aktivacije bežične jedinice ne svijetli/treperi.	Bežična jedinica nije umetnuta u usisivač i/ili alat. Bežična jedinica nije ispravno umetnuta u usisivač i/ili alat.	Ispravno umetnite bežičnu jedinicu.
	Nije pritisnut gumb za aktivaciju bežične jedinice na alatu.	Kratko pritisnite gumb za aktivaciju bežične jedinice na alatu.
	Prekidač za stanje pripravnosti na usisivaču nije postavljen u položaj „AUTO“.	Postavite prekidač za stanje pripravnosti na usisivaču u položaj „AUTO“.
	Nije uspostavljeno napajanje	Uspostavite napajanje alata i usisivača.
Nije moguće uspješno dovršiti registraciju alata / poništiti registraciju alata.	Bežična jedinica nije umetnuta u usisivač i/ili alat. Bežična jedinica nije ispravno umetnuta u usisivač i/ili alat.	Ispravno umetnite bežičnu jedinicu.
	Prekidač za stanje pripravnosti na usisivaču nije postavljen u položaj „AUTO“.	Postavite prekidač za stanje pripravnosti na usisivaču u položaj „AUTO“.
	Nije uspostavljeno napajanje	Uspostavite napajanje alata i usisivača.
	Neispravan rad	Kratko pritisnite gumb za aktivaciju bežične jedinice i ponovno provedite postupak registracije alata / poništavanja registracije alata.
	Alat i usisivač previše su međusobno udaljeni (izvan raspona prijenosa).	Približite alat i usisivač jedan drugom. Maksimalna udaljenost prijenosa iznosi otprilike 10 m, ali može se razlikovati ovisno o uvjetima rada.
	Prije dovršetka registracije alata / poništavanja registracije; - uključen je prekidač alata ili; - uključena je sklopka napajanja na usisivaču.	Kratko pritisnite gumb za aktivaciju bežične jedinice i ponovno provedite postupak registracije alata / poništavanja registracije alata.
	Postupak registracije za alat ili usisivač nije dovršen.	Istodobno provedite postupak registracije za alat i za usisivač.
	Radjske smetnje od drugih uređaja stvaraju visokointenzivne radiovalove.	Držite alat i usisivač podalje od uređaja kao što su Wi-Fi uređaji i mikrovalne pećnice.
Usisivač ne radi zajedno s funkcijom prebacivanja alata.	Bežična jedinica nije umetnuta u usisivač i/ili alat. Bežična jedinica nije ispravno umetnuta u usisivač i/ili alat.	Ispravno umetnite bežičnu jedinicu.
	Nije pritisnut gumb za aktivaciju bežične jedinice na alatu.	Kratko pritisnite gumb za aktivaciju bežične jedinice i uvjerite se da žaruljica aktivacije bežične jedinice treperi plavo.
	Prekidač za stanje pripravnosti na usisivaču nije postavljen u položaj „AUTO“.	Postavite prekidač za stanje pripravnosti na usisivaču u položaj „AUTO“.
	Za usisivač je registrirano više od 10 alata.	Ponovno provedite registraciju alata. Ako je za usisivač registrirano više od 10 alata, alat koji je prvi registriran bit će automatski poništen.
	Usisivač je izbrisao sve registracije alata.	Ponovno registrirajte alat.
	Nije uspostavljeno napajanje	Uspostavite napajanje alata i usisivača.
	Alat i usisivač previše su međusobno udaljeni (izvan raspona prijenosa).	Približite alat i usisivač jedan drugom. Maksimalna udaljenost prijenosa iznosi otprilike 10 m, ali može se razlikovati ovisno o uvjetima rada.
	Radjske smetnje od drugih uređaja stvaraju visokointenzivne radiovalove.	Držite alat i usisivač podalje od uređaja kao što su Wi-Fi uređaji i mikrovalne pećnice.
Usisivač radi dok alat nije u pogonu.	Drugi korisnici upotrebljavaju funkciju aktivacije bežične jedinice usisivača na svojim alatima.	Isključite gumb za aktivaciju bežične jedinice na drugim alatima ili poništite registraciju alata na drugim alatima.
Nije moguće izbrisati sve registracije alata za usisivač.	Pritisak na gumb bežične jedinice na alatu.	Pritisnite gumb bežične jedinice da biste izbrisali sve registracije alata.
	Prekidač za stanje pripravnosti na usisivaču nije postavljen u položaj „AUTO“.	Postavite prekidač za stanje pripravnosti na usisivaču u položaj „AUTO“.
	Gumb za aktivaciju bežične jedinice nije ispravno zadržan.	Držite gumb za aktivaciju bežične jedinice više od 6 sekundi, a zatim ga otpustite kada žaruljica aktivacije bežične jedinice zasvijetli crveno. Ponovno držite gumb za aktivaciju bežične jedinice više od 6 sekundi sve dok žaruljica aktivacije bežične jedinice ne počne brzo treperiti crveno, a zatim ga otpustite.

ODRŽAVANJE

⚠ UPOZORENJE: Tijekom održavanja uvijek upotrebljavajte masku P2.

⚠ OPREZ: Prije pregledavanja ili održavanja uređaja provjerite je li uređaj isključen i jesu li baterijski ulošci izvađeni.

⚠ OPREZ: Upućena osoba najmanje jednom godišnje mora obaviti tehnički pregled, uključujući pregled filtera, zrakonepropusnosti i kontrolnog mehanizma.

⚠ OPREZ: Tijekom održavanja moraju se odložiti svi kontaminirani predmeti koji se ne mogu dovoljno očistiti. Takvi se predmeti moraju odložiti u neprobojnim vrećama sukladno lokalnim propisima.

⚠ OPREZ: Nakon rada u opasnom području usisivačem prašine mora se dekontaminirati vanjšina alata i obrisati ili obraditi brtvilom prije nego što odnesete alat iz opasnog područja. Svi se dijelovi alata trebaju smatrati kontaminiranim kad se uklone iz opasnog područja i moraju se poduzeti odgovarajuće mjere da se spriječi širenje prašine.

⚠ OPREZ: Zamijenite filtre kad se začepe prašinom ili kad smatrate da je oslabio rad usisivača.

⚠ OPREZ: Redovito provjeravajte filtre. Ako su neki filteri razderani, odmah ih zamijenite.

NAPOMENA: Nikada nemojte koristiti benzin, mješavinu benzina, razrjeđivač, alkohol ili slično. Kao rezultat toga može se izgubiti boja, pojaviti deformacija ili pukotine.

Da biste zadržali SIGURNOST I POUZDANOST proizvoda, održavanje ili namještanja trebali biste prepustiti ovlaštenim servisnim ili tvorničkim centrima tvrtke Makita; uvijek rabite originalne rezervne dijelove.

Uklanjanje filtarske jedinice

⚠ OPREZ: Pričekajte cca 5 minuta da se potpuno slegne prašina u spremniku.

⚠ OPREZ: Pazite da prašina ne uđe pod pokrov spremnika kad uklanjate filtarsku jedinicu.

Filtarska jedinica pričvršćena je na glavnu jedinicu. Sastoji se od gornje pločice, predfiltera, prigušivača i filtera za prah.

1. Otpustite kuke za zaključavanje i podignite glavnu jedinicu sa spremnika.

2. Uklonite filtarsku jedinicu s glavne jedinice kako je prikazano na slici.

► **SI.37:** 1. Zatvarač 2. Filtarska jedinica

Uklanjanje filtera za prah i predfiltera

Podignite kotačić i uklonite filtre s gornje pločice.

► **SI.38:** 1. Gornja pločica 2. Filtri 3. Kotačić

Da biste spriječili zadržavanje prašine u zraku, preporučuje se odlaganje filtera u polietilensku vrećicu.

Prilikom nošenja filtarske jedinice na čišćenje čvrsto zavežite polietilensku vrećicu.

► **SI.39:** 1. Filtarska jedinica 2. Polietilenska vrećica

► **SI.40:** 1. Gornja pločica 2. Filtri 3. Polietilenska vrećica

Čišćenje filtera za prah, predfiltera i prigušivača

Povremeno očistite filtre i prigušivač. Začepljeni filteri i prigušivač mogu dovesti do slabog usisavanja.

Redovno čistite nakupljenu prašinu s filtera i prigušivača.

Filter za prah, predfilter i prigušivač povremeno operite vodom, iscijedite ga i temeljito osušite u hladu prije upotrebe. Nikad ih nemojte prati u perlici.

► **SI.41**

NAPOMENA: Nemojte trljati ili grebati filter za prašak, predfilter ili prigušivač tvrdim predmetima kao što su četka i lopatica.

NAPOMENA: Filteri se s vremenom troše. Preporučuje se da imate rezervne filtre.

Umetanje filtera za prah i predfiltera

NAPOMENA: Filter za prah i predfilter mogu pokupiti suhu i mokru prašinu. Pobrinite se da se senzori razine vode pravilno aktiviraju kako biste spriječili kvar filtera za prah.

Rubove filtarske jedinice zakvačite za gornju pločicu, a zatim spustite kotačić.

► **SI.42:** 1. Rub 2. Kotačić

NAPOMENA: Prije upotrebe filtera za prah, pripazite da se predfilter i prigušivač uvijek upotrebljavaju zajedno. Nije dozvoljeno postaviti samo filter za prah.

Sastavljanje filtera

Kada filtre dobijete zasebno, sastavite ih kako je prikazano na slici.

► **SI.43:** 1. Filter za prah 2. Prigušivač 3. Predfilter

Umetanje filtarske jedinice

Nakon montiranja filtera na gornju pločicu, rupe filtarske jedinice zakvačite na dijelove unutarnjeg pokrova u obliku slova U. Zatim zaključajte zatvarač kako je prikazano na slici.

► **SI.44:** 1. Dio u obliku slova U 2. Otvor 3. Zatvarač

Postavljanje filtra za vodu

Dodatni pribor

NAPOMENA: Za usisavanje mokre prašine pobrinite se da se senzori razine vode pravilno aktiviraju.

NAPOMENA: Ne upotrebljavajte predfilter i prigušivač prilikom upotrebe filtra za vodu.

Za usisavanje samo vode ili mokre prašine filter za vodu prikladniji je od filtra za prah i predfiltera.

Prilikom ugradnje filtra za vodu postavite filter za vodu na gornju pločicu isto kao i filter za prah ili predfilter.

► **SI.45**

NAPOMENA: Za učestalo usisavanje velikih količina vode preporučuje se upotreba filtra za vodu. U suprotnom bi se u slučaju upotrebe filtra za prah i predfiltera snaga usisavanja mogla smanjiti.

Čišćenje senzora razine vode

Senzori razine vode otkrivaju tekućinu kad se spremnik napuni tekućinom. Povremeno očistite senzore razine vode mekom krpom kad mijenjate filtre.

► **SI.46:** 1. Senzor razine vode

Pohrana pribora

Pribor i priključci koji se ne upotrebljavaju, kao što su mlaznice, cijevi i poklopac, mogu se spremiti vješanjem na kuku na stražnjem dijelu usisivača.

► **SI.47:** 1. Pribor i priključci koji se ne upotrebljavaju
2. Poklopac

Cijevi (s ugrađenim opcijским zaustavljačem) možete staviti na držač cijevi kada kraće vrijeme ne upotrebljavate usisivač.

► **SI.48:** 1. Zaustavljač (dodatni pribor) 2. Držač cijevi

Crijevo se može omotati i spremiti oko kućišta usisivača ili ručke u velikim petljama. Spojite njegova oba kraja da biste napravili petlje i zakvačite ih na podignutu ručku.

Možete i ostaviti njegov ulazni dio u ulazu crijeva i petlje objesiti na višestruku kuku s pričvršćenim krajnjim vrhom.

► **SI.49**

► **SI.50**

DODATNI PRIBOR

⚠OPREZ: Ovaj dodatni pribor ili priključci preporučuju se samo za upotrebu s alatom Makita navedenim u ovom priručniku. Upotreba bilo kojeg drugog dodatnog pribora ili priključaka može prouzročiti ozljede. Upotrebljavajte dodatni pribor ili priključak samo za njegovu navedenu svrhu.

Ako vam je potrebna pomoć za više detalja u pogledu ovih dodatnih pribora, obratite se najbližem Makita servisnom centru.

- Crijevo
- Prednje manšete (22, 24, 38)
- Ravna cijev
- Kutna mlaznica
- Okrugla četka
- Filter za prah M, H (HEPA)
- Prigušivač
- Predfilter
- Filter za vodu
- Sklop mlaznice
- Savijena cijev
- Polietilenska vrećica
- Filtarska vrećica
- Poklopac
- Izvorna Makita baterija i punjač
- Bežična jedinica
- MAKPAC

NAPOMENA: Neke stavke iz popisa se mogu isporučiti zajedno sa strojem kao standardni dodatni pribori. Oni mogu biti različiti ovisno o zemlji.

ПРЕДУПРЕДУВАЊЕ

- Оваа машина не е наменета за употреба од лица, вклучувајќи деца, со намалени физички, сетилни или психички способности или од лица кои немаат доволно искуство и знаење.
- Децата треба да се надгледуваат за да се уверите дека нема да си играат со правосмукалката.
- Погледнете го поглавјето „СПЕЦИФИКАЦИИ“ за референца на типот на батеријата.
- Погледнете го делот „Монтирање или отстранување на касетата за батеријата“ за начинот на отстранување или монтирање на батеријата.
- Кога ја фрлате во отпад касетата за батеријата, извадете ја од алатот и фрлате ја на безбедно место. Почитувајте ги локалните законски прописи што се однесуваат на фрлање во отпад на батеријата.
- Доколку алатот не се користи подолг временски период, батеријата мора да се извади од алатот.
- Не предизвикувајте спој на касетата за батеријата.
- Погледнете го поглавјето „ОДРЖУВАЊЕ“ за соодветни детали за мерките на претпазливост за време на одржувањето од корисникот.

СПЕЦИФИКАЦИИ

Модел:		VC006GM
Максимален волумен на воздух на крајот од цревото	Со црево BL4050F, ø28 мм x 3,5 м	2,0 м ³ /мин.
	Со црево BL4050F, ø38 мм x 2,5 м	3,7 м ³ /мин.
Максимален волумен на воздух на турбината (со BL4050F)		4,9 м ³ /мин.
Вакуум (со BL4050F)		18 kPa
Капацитет што се надоместува	Прав	40 Л
	Вода	30 Л
Димензии (Д x Ш x В)		586 мм x 385 мм x 598 мм
Номинален напон		D.C. 72 V - 80 V макс.
Нето тежина		18,4 - 20,8 кг
Степен на заштита		IPX4

- Поради нашата континуирана програма за истражување и развој, спецификациите тука подлежат на промена без најава.
- Спецификациите може да се разликуваат од држава до држава.
- Тежината не ги вклучува додаточите освен касетите за батерија. Најлесните и најтешките комбинации на тежина на уредот и касетите за батерии се прикажани во табелата.

Применлива касета за батерија и полнач

Касета за батерија	BL4020 / BL4025 / BL4040* / BL4050F* / BL4080F* * : Препорачана батерија
Полнач	DC40RA / DC40RB / DC40RC

- Некои од касетите за батерии и полначите наведени погоре може да не се достапни зависно од регионот во кој живеете.

▲ПРЕДУПРЕДУВАЊЕ: Користете ги само касетите за батерии и полначите наведени погоре. Користењето какви било поинакви касети за батерии и полначи може да создаде ризик од повреда и/или пожар.

Симболи

Долунаведените ги прикажуваат символите што може да се користат кај опремата. Пред употребата, проверете дали го разбирате нивното значење.



Прочитајте го упатството за користење.



Посветете особена грижа и внимание.



Предупредување! Правосмукалката може да содржи опасен прав.



Никогаш не стојте врз правосмукалката.



Никогаш не ставајте ништо потешко од 20 кг (44 lbs) на правосмукалката.



Класа на прав М (средна): за одвојување прав со гранична вредност на професионално изложување не помало од 0,1 мг/м³. Правосмукалките се оспособени да собираат прав од класа L и М. Почитувајте ги прописите на вашата држава што се однесуваат на прав и на здравје и безбедност при работа.



Само за земјите на ЕУ
Поради присуство на опасни компоненти во опремата, отпадната електрична и електронска опрема, акумулаторите и батериите може да влијаат негативно врз животната средина и човековото здравје.
Не фрлајте ги електричните и електронските апарати или батериите во домашниот отпад!
Во согласност со Европската директива за фрлање електрична и електронска опрема, акумулатори, батерии и отпадни акумулатори и батерии, како и нивната адаптација во државниот закон, отпадната електрична опрема, батериите и акумулаторите треба да се чуваат одделно и да се достават на посебно место за собирање општински отпад, во согласност со прописите за заштита на животната средина.
Ова е означено со симболот на прекрзната корпа за отпадоци ставен на опремата.

Наменета употреба

Уредот е наменет за собирање влажен и сув прав. Уредот е погоден за комерцијална употреба, на пример во хотели, училишта, болници, фабрики, продавници, канцеларии и деловни простории.

Бучава

Типична А-вредност за ниво на бучавата одредена во согласност со EN60335-2-69:
Ниво на звучниот притисок (L_{pA}): 70 dB (A) или помалку
Отстапување (K): 2,5 dB (A)

Нивото на бучава при работа може да надмине 80 dB (A).

НАПОМЕНА: Номиналната вредност(и) за емисија на бучава е измерена во согласност со стандардни методи за испитување и може да се користи за споредување алати.

НАПОМЕНА: Номиналната вредност(и) за емисија на бучава може да се користи и како прелиминарна процена за изложеност.

▲ПРЕДУПРЕДУВАЊЕ: Носете заштита за ушите.

▲ПРЕДУПРЕДУВАЊЕ: Емисијата на бучава при фактичкото користење на алатот може да се разликува од номиналната вредност(и), зависно од начинот на којшто се користи алатот, особено од тоа како вид работен материјал се обработува.

▲ПРЕДУПРЕДУВАЊЕ: Погрижете се да ги утврдите безбедносните мерки за заштита на лицето кое ракува со алатот врз основа на процена на изложеноста при фактичките услови на употреба (земајќи ги предвид сите делови на работниот циклус, како периодите кога електричниот алат е исклучен и кога работи во празен од, не само кога е активен).

Вибрации

Вкупна вредност на вибрациите (векторска сума на три оски) одредена во согласност со EN60335-2-69: Емисија на вибрации ($a_{h,M}$): 2,5 m/s² или помалку
Отстапување (K): 1,5 m/s²

НАПОМЕНА: Вкупната вредност(и) на номиналната јачина на вибрациите е измерена во согласност со стандардни методи за испитување и може да се користи за споредување алати.

НАПОМЕНА: Вкупната вредност(и) на номиналната јачина на вибрациите може да се користи и како прелиминарна процена за изложеност.

▲ПРЕДУПРЕДУВАЊЕ: Јачината на вибрациите при фактичкото користење на алатот може да се разликува од номиналната вредност(и), зависно од начинот на којшто се користи алатот, особено од тоа како вид работен материјал се обработува.

▲ПРЕДУПРЕДУВАЊЕ: Погрижете се да ги утврдите безбедносните мерки за заштита на лицето кое ракува со алатот врз основа на процена на изложеноста при фактичките услови на употреба (земајќи ги предвид сите делови на работниот циклус, како периодите кога електричниот алат е исклучен и кога работи во празен од, не само кога е активен).

Декларација за сообразност од ЕУ

Само за земјите во Европа

Декларацијата за сообразност од ЕУ е вклучена во Додаток А од упатствата за корисникот.

БЕЗБЕДНОСНИ ПРЕДУПРЕДУВАЊА

Безбедносни предупредувања за безжичната правосмукалка

▲ ПРЕДУПРЕДУВАЊЕ: ВАЖНО!
ПРОЧИТАЈТЕ ГИ ВНИМАТЕЛНО сите
безбедносни предупредувања и сите упатства
ПРЕД УПОТРЕБА. Ако не се почитуваат
предупредувањата и упатствата, може да дојде до
струен удар, пожар и/или тешки повреди.

1. Пред употребата, осигурете се дека оваа правосмукалка ќе ја користат само лица со соодветна обука за неа.
2. Пред користењето, на операторите ќе им бидат дадени информации, упатства и обука за користењето на машината и супстанциите за кои треба да се користи, вклучително и безбедниот начин на отстранување и фрлање на собраните материјали.
3. Ако почне да излегува пена/течност, веднаш исклучете ја.
4. Чистете го уредот за ограничување на водата редовно и проверувајте дали има знаци на оштетување.
5. Пред употреба, секогаш погрижете се филтрите да се правилно монтирани. Не користете ја правосмукалката без поставени филтри. Веднаш заменете го оштетениот филтер. Препорачливо е да имате резервни филтри, бидејќи филтрите се потрошен материјал.
6. ИЗБЕГНУВАЈТЕ НЕНАМЕРНО СТАРТУВАЊЕ. Осигурете се дека прекинувачот е во позиција OFF (исклучено) кога ја монтирате батеријата (иите).
7. Не обидувајте се да смукате запаливи материјали, огномет, запалени цигари, жежок пепел, жешки метални делканици и остри материјали, како што се жилети, игли, скршено стакло и сл.
8. НИКОГАШ НЕ УПОТРЕБУВАЈТЕ ЈА ПРАВОСМУКАЛКАТА ВО БЛИЗИНА НА БЕНЗИН, ПЛИН, БОЈА, ЛЕПИЛА ИЛИ ДРУГИ СИЛНОЕКСПЛОЗИВНИ СУПСТАНЦИИ. Прекинувачот создава искри при неговото ВКЛУЧУВАЊЕ и ИСКЛУЧУВАЊЕ. Истото го прави и менувачот на моторот додека работи. Може да настане опасна експлозија.
9. Никогаш не користете ја правосмукалката за смукање токсични, канцерогени, запаливи или други опасни материјали, како што се азбест, арсен, бариум, берилиум, олово, пестициди или други материјали опасни по здравјето.
10. Секогаш поставувајте ја правосмукалката на хоризонтална рамна површина за да се спречи нејзино паѓање или ненамерно поместување.
11. Никогаш не користете ја правосмукалката на отворено додека врне дожд.
12. За Финска, оваа машина не смее да се користи надвор на ниски температури.
13. Не користете ја во близина на топлински извори (печки и сл.).
14. Ако издувниот воздух се враќа во собата, мора да се обезбеди соодветна брзина на размена на воздух во собата. Треба да се погледнат државните прописи.
15. Не блокирајте ги влезот/излезот/отворите за ладење на смукалката. Овие отвори овозможуваат ладење на моторот. Треба внимателно да се избегнува нивно блокирање, бидејќи во спротивно, моторот ќе прегрее заради недостиг на вентилација.
16. Одржувајте добра стабилност и рамнотежа со нозете цело време.
17. Немојте да го превиткувате, влечете или да газите врз цревето.
18. Исклучете ја правосмукалката веднаш ако забележите намалување на можностите или што било неправилно во текот на работењето.
19. ИЗВАДЕТЕ ЈА БАТЕРИЈАТА (ИИТЕ). Кога не се користи, пред сервисирање и при промена на додатоките.
20. Исклучете ја и сервисирајте ја правосмукалката непосредно по секоја употреба за да ја одржувате во добра работна состојба.
21. ОДРЖУВАЈТЕ ЈА ПРАВОСМУКАЛКАТА ГРИЖЛИВО. Одржувајте ја правосмукалката чиста за подобра и сигурна изведба. Следете ги упатствата за промена на додатоките. Рачките нека бидат суви, чисти и без масло и маснотии.
22. ПРОВЕРЕТЕ ДАЛИ ИМА ОШТЕТЕНИ ДЕЛОВИ. Пред натамошната употреба на правосмукалката, треба да се провери дали има оштетен штитник или друг дел за да се утврди дека ќе работи исправно и правилно ќе ја извршува својата функција. Проверете ги порамнувањето на подвижните делови, прицврстеноста на подвижните делови, трошењето на деловите, монтажата и која било друга состојба што може да влијае врз работењето. Оштетените штитник или друг дел треба соодветно да се поправат или да се заменат во овластен сервисен центар, освен ако не е поинаку наведено во ова упатство за користење. Заменете ги неисправните прекинувачи во овластен сервисен центар. Не користете ја правосмукалката ако не може да се вклучи и исклучи со прекинувачот.
23. За сервисирање од страна на корисникот, машината може да се расклопи, исчисти и сервисира, колку што е разумно практично, без да се предизвика ризик на сервисниот персонал и другите лица.
24. Производителот или упатено лице треба да извршуваат техничка проверка на машината, најмалку еднаш годишно, којашто се состои од, на пример, проверка на филтрите за оштетувања, непропустливост на воздух на машината и соодветно функционирање на контролниот механизам.
25. При изведување сервис или поправки, сите контаминирани предмети што не може да се исчистат задоволително треба да се фрлат. Таквите предмети треба да се фрлаат во непропустливи кеси во согласност со тековната регулатива за фрлање таков отпад.

26. **РЕЗЕРВНИ ДЕЛОВИ.** При сервисирањето, користете само идентични резервни делови за замена.
27. **СКЛАДИРАЈТЕ ЈА ПРАВОСМУКАЛКАТА КОГА НЕ СЕ КОРИСТИ.** Кога не се користи, правосмукалната треба да се складира во затворен простор.
28. Пред складирање, влажните филтри и внатрешниот дел од контејнерот за течности треба да се исушат.
29. Бидете внимателни со вашата правосмукалка. Ако со неа се ракува грубо, тоа може да предизвика кршење дури и на најцврсто изградената правосмукалка.
30. Не обидувајте се да ја чистите надворешноста или внатрешноста со бензин, разредувач или хемиски средства за чистење. Може да дојде до пукнатини и промена на бојата.
31. Не користете ја правосмукалната во затворен простор каде што има запаливи, експлозивни и отровни испарувања од маслени бои, разредувачи на боја, бензин, некои средства против молци итн. или во области каде што има присуство на запалив прав.
32. Не ракувајте со овој или кој било друг алат ако сте под дејство на лекови или алкохол.
33. Како основно правило за безбедност, користете заштитна маска или заштитни очила со странични штитници.
34. Користете маска за заштита од прав кога работите во правливи услови.
35. Оваа машина не е наменета за употреба од лица, вклучувајќи деца, со намалени физички, сетилни или психички способности или од лица кои немаат доволно искуство и знаење.
36. Децата треба да се надгледуваат за да се уверите дека нема да си играат со правосмукалната.
37. Никогаш не ракувајте со батеријата(ите) и правосмукалната со влажни раце.
38. Бидете многу внимателни при чистење скали.
39. Не користете ја правосмукалната како стол или како работна маса. Машината може да падне и тоа да резултира со телесна повреда.

Користење и грижа за алатот на батерии

1. Полнете само со полначот одреден од страна на производителот. Полнач што е соодветен за еден тип батерија може да создаде ризик од пожар кога се користи со друга батерија.
2. Исклучиво користете ги електричните алати со конкретно наменети батерии. Користењето други батерии може да создаде ризик од повреда или пожар.
3. Кога батеријата не се користи, држете ја настрана од други метални предмети, како што се спојувалки, монети, клучеви, шрафови или други мали метални предмети што можат да послужат како врска од еден на друг приклучок. Краткиот спој на батериските приклучоци може да доведе до изгореници или пожар.

4. При случаи на злоупотреба, од батеријата може да истече течност. Избегнувајте контакт со неа. Ако дојде до ненамерен контакт, измијте со вода. Ако течноста дојде во допир со очите, побарајте дополнителна медицинска помош. Течноста што истекла од батеријата може да предизвика иритација или изгореници.
5. Не користете батерии или алат што се оштетени или менувани. Оштетените или менуваните батерии може да прикажуваат непредвидливо однесување што резултира со оган, експлозија или опасност од повреда.
6. Не изложувајте ги батериите или алатот на оган или прекумерна температура. Изложувањето на оган или температура над 130°C може да предизвика експлозија.
7. Следете ги сите упатства за полнење и не полнете ги батериите или алатот надвор од температурниот опсег наведен во упатството. Неправилното менување или менувањето на температури надвор од наведениот опсег може да ја оштети батеријата и да ја зголеми опасноста од оган.

ЧУВАЈТЕ ГО УПАТСТВОТО.

▲ ПРЕДУПРЕДУВАЊЕ: НЕ ДОЗВОЛУВАЈТЕ удобноста или познавањето на производот (стекнати со подолга употреба) да ве наведат да не се придржувате строго до безбедносните правила за овој производ. **ЗЛОУПОТРЕБАТА** или непочитувањето на безбедносните правила наведени во ова упатство може да предизвикаат тешка телесна повреда.

Важни безбедносни упатства за касетата за батеријата

1. Пред користење на касетата за батеријата, прочитајте ги сите упатства и ознаки за претпазливост на (1) полначот за батеријата, (2) батеријата и (3) производот што ја користи батеријата.
2. Не расклопувајте ја, ниту експериментирајте со касетата за батеријата. Тоа може да резултира со оган, прекумерна топлина или експлозија.
3. Ако оперативното времето станало прекумерно кратко, престанете веднаш со работа. Тоа може да резултира со ризик од прегревање, можни изгореници, па дури и експлозија.
4. Ако електролит навлезе во вашите очи, измијте ги со чиста вода и побарајте медицинска нега веднаш. Тоа може да резултира со губење на вашиот вид.
5. Не предизвикувајте спој на касетата за батеријата.
 - (1) Не допирајте ги контактите со никаков проводлив материјал.
 - (2) Избегнувајте да ја чувате касетата за батерија во сад со други метални предмети како што се шајки, монети и сл.
 - (3) На изложувајте ја касетата за батеријата на вода или дожд.
 Краткиот спој на батеријата може да предизвика голем проток на електрична енергија, прегревање, можни изгореници, па дури и пад на напојувањето.

6. Не складирајте и не користете ги алатот и касетата за батеријата на места каде што температурата може да достигне или надминува 50 °C (122 °F).
7. Не палете ја касетата за батеријата дури и кога е многу оштетена или целосно потрошена. Касетата за батеријата може да експлодира ако се стави во оган.
8. Не заковувајте ја, сечете ја, фрлајте ја, испуштајте ја касетата за батерија, ниту удирајте ја од тврд предмет касетата за батеријата. Таквото однесување може да резултира со оган, прекумерна топлина или експлозија.
9. Не користете оштетена батерија.
10. Содржаните батерии со литиумови јони се подложни на условите во Правилата за опасни предмети.
За комерцијален транспорт на пр. од трети лица и посредници, мора да се следат посебните услови на пакувањата или ознаките. При подготовка на предметот кој треба да се испрати, консултирајте се со експерт за опасни материјали. Исто така, следете ги потенцијално подеталните национални правила. Запелете ги со леплива лента или маскирајте ги отворените контакти, а батеријата спакувајте ја, така што нема да се движи слободно во пакувањето.
11. Кога ја фрлате во отпад касетата за батеријата, извадете ја од алатот и фрлете ја на безбедно место. Почитувајте ги локалните законски прописи што се однесуваат на фрлање во отпад на батеријата.
12. Користете ги батериите само со производителите назначени од Makita.
Монтирањето батерии на неусогласените производи може да резултира со пожар, прекумерна топлина, експлозија или истекување на електролитот.
13. Доколку алатот не се користи подолг временски период, батеријата мора да се извади од алатот.
14. Пред и по употребата, касетата за батеријата може да прими топлина што може да предизвика изгореници или изгореници од ниска температура. Внимавајте како ракувате со жешките касети за батерии.
15. Не допирајте го терминалот на алатот непосредно по употребата бидејќи може да се загрее доволно за да предизвика изгореници.
16. Не дозволувајте деланки, прав или земја да се заглават во терминалите, отворите и жлебовите на касетата за батерија. Тоа може да предизвика греене, запалување, пукање и дефект на алатот или касетата за батерија, што ќе резултира со изгореници или телесна повреда.
17. Освен ако алатката не поддржува употреба на електричните далноводи со висок напон во близина, не користете ја касетата за батерија во близина на електричните далноводи со висок напон. Тоа може да резултира со дефект или пад на напојувањето на алатот или касетата за батерија.

18. Држете ја батеријата подалеку од деца.

ЧУВАЈТЕ ГО УПАТСТВОТО.

⚠ВАЖНО: Користете само оригинални батерии на Makita. Користењето неоригинални батерии на Makita или батерии што се изменети може да резултира со распукување на батеријата, предизвикувајќи пожар, телесна повреда и оштетување. Тоа исто така ќе ја поништи гаранцијата на Makita за алатот и полначот на Makita.

Совети за одржување максимален работен век на батеријата

1. Заменете ја касетата за батеријата пред целосно да се испразни. Секогаш запирајте ја работата со алатот и заменете ја касетата за батеријата кога ќе забележите дека алатот дава помала моќност.
2. Никогаш немојте да полните целосно полна касета за батерија. Прекумерното полнење го скратува работниот век на батеријата.
3. Полнете ја касетата за батеријата на собна температура од 10°C - 40°C. Дозволете загреаната касета за батерија да се олади пред да ја ставите на полнење.
4. Кога не ја користите касетата за батерија, извадете ја алатот или полначот.
5. Полнете ја касетата за батеријата доколку не ја користите подолго време (повеќе од шест месеци).

Важни безбедносни упатства за безжичниот уред

1. Никогаш не отворајте го капакот на отворот сами откако ќе се инсталира безжичниот уред.
2. Не расклопувајте го или не експериментирајте со безжичниот уред.
3. Држете го безжичниот уред подалеку од мали деца. Доколку случајно се проголта, веднаш побарајте медицинска помош.
4. Користете го безжичниот уред само со алати од Makita.
5. Не изложувајте го безжичниот уред на дожд или влажни услови.
6. Не користете го безжичниот уред на места каде што температурата надминува 50°C.
7. Не работете со безжичниот уред на места каде што во близина има медицински инструменти, како пејсмејкери.
8. Не работете со безжичниот уред на места каде што во близина има автоматски уреди. Доколку работат, автоматските уреди може да развијат дефект или грешка.
9. Не работете со безжичниот уред на места со висока температура или места каде што може да се создаде статички електрицитет или електрична бучава.
10. Безжичниот уред може да создаде електромагнетни полиња (ЕМП), но тие не се штетни за корисникот.

11. Безжичниот уред е прецизен инструмент. Внимавајте да не го испуштите или удриете безжичниот уред.
12. Избегнувајте допирање на терминалот на безжичниот уред со голи раце или метални материјали.
13. Секогаш отстранувајте ја батеријата на алатот кога го инсталирате безжичниот уред на него.
14. Кога го отворате капакот на отворот, избегнувајте го местото на кое во отворот може да влезат прав и вода. Секогаш одржувајте го чист влезниот отвор.
15. Секогаш вметнувајте го безжичниот уред во правилната насока.
16. Не притискајте го копчето за активирање на безжичниот уред премногу силно и/или притискајте го копчето со предмет со остар раб.
17. Кога работите, секогаш затворајте го капакот на отворот.
18. Не отстранувајте го безжичниот уред од отворот додека алатот се напојува. Тоа може да предизвика дефект на безжичниот уред.
19. Не отстранувајте ја лепенката на безжичниот уред.
20. Не ставајте лепенка на безжичниот уред.
21. Не оставајте го безжичниот уред на место каде што може да се создаде статички електрицитет или електрична бучава.
22. Не оставајте го безжичниот уред на места подложни на голема топлина, како автомобил што е на сонце.
23. Не оставајте го безжичниот уред на место исполнето со прашина или прав или на место каде што може да се создаде корозивен гас.
24. Ненадејната промена на температурата може да го навлажни безжичниот уред. Не користете го безжичниот уред додека влагата не се исуши целосно.
25. Кога го чистите безжичниот уред, нежно бришете го со сува, мека крпа. Не користете бензин, разредувач, спроводливо средство за подмачкување или слично.
26. Кога го складирате безжичниот уред, чувајте го во испорачаната кутија или сад без статика.
27. Не вметнувајте други уреди освен безжичниот уред на Makita во отворот на алатот.
28. Не користете го алатот со оштетен капак на отворот. Водата, правот и нечистотијата што влегуваат во отворот може да предизвикаат дефект.
29. Не влечете го и/или не виткајте го капакот на отворот повеќе отколку што е потребно. Вратете го капакот доколку се извади од алатот.
30. Заменете го капакот на отворот ако се изгуби или оштети.

ЧУВАЈТЕ ГО УПАТСТВОТО.

ОПИС НА ФУНКЦИЈЕ

⚠ВНИМАНИЕ: Пред секое нагодување или проверка на уредот, секогаш проверувајте дали уредот е исклучен и касетите за батеријата се извадени.

Монтирање или отстранување на касетата за батеријата

⚠ВНИМАНИЕ: Секогаш исклучувајте го алатот пред ставањето или вадењето на касетата за батеријата.

⚠ВНИМАНИЕ: Држете ги правосмукалката и касетата за батеријата цврсто кога ја монтирате или вадите касетата за батеријата. Ако не ги држите цврсто правосмукалката и касетата за батеријата, може да се лизнат од вашите раце и да дојде до нивно оштетување, како и до телесна повреда.

⚠ВНИМАНИЕ: Внимавајте да не ги потфатите прстите кога го отворате или затворате капакот на батеријата. Во спротивно може да дојде до телесна повреда.

За да ја монтирате касетата за батеријата, прво ослободете ја бравата и потоа отворете го капакот на батеријата. Потоа вметнете ја касетата за батеријата.

► **Сл.1:** 1. Брава 2. Капак на батеријата

Порамнете го јазичето на касетата за батеријата со жлебот во кукиштето и лизнете ја во место. Вметнете ја до крај додека не се блокира во место при што ќе се слушне мало кликнување. Потоа заклучете го капакот на батеријата.

► **Сл.2:** 1. Касета за батерија 2. Копче

За да ја извадите касетата за батеријата, повлечете ја од алатот додека го лизгате копчето напред на касетата.

⚠ВНИМАНИЕ: Секогаш монтирајте ја касетата за батеријата целосно. Во спротивно, може ненадејно да испадне од правосмукалката, предизвикувајќи ви повреда вам или на некој друг околу вас.

⚠ВНИМАНИЕ: Немојте да ја монтирате касетата за батеријата на сила. Ако касетата не може да се лизне лесно, тоа значи дека не е поставена правилно.

НАПОМЕНА: Правосмукалката не работи само со една касета за батерија.

Укажување на преостанатиот капацитет на батеријата

Притиснете го копчето за проверка на касетата за батеријата за укажување на преостанатиот капацитет на батеријата. Индикаторските ламбички светнуваат неколку секунди.

► **Сл.3:** 1. Индикаторски ламбички 2. Копче за проверка

Индикаторски ламбички			Преостанат капацитет
Запалено	Исклучено	Трепка	
			75% до 100%
			50% до 75%
			25% до 50%
			0% до 25%
			Наполнете ја батеријата.
			Батеријата можеби е неисправна.

НАПОМЕНА: Во зависност од условите на користење и амбиенталната температура, индикацијата може да се разликува во мала мера од реалниот капацитет.

НАПОМЕНА: Првата (најлево) ламбичка на индикаторот ќе трепка кога работи системот за заштита на батеријата.

Индикатори за батерија на контролниот панел

Преостанатиот капацитет на батеријата може да се отчита од контролниот панел во секое време. Притиснете го копчето за проверка, па левиот и десниот индикатор соодветно ќе ги покажат нивоата на полнење на батериите.

► **Сл.4:** 1. Индикатор за лева батерија
2. Индикатор за десна батерија 3. Копче за проверка

► **Сл.5**

Статус на индикатор за батерија			Преостанат капацитет на батеријата
Вклучено	Исклучено	Трепка	
			од 50% до 100%
			од 20% до 50%
			од 0% до 20%
			Наполнете ја батеријата
			Не е вметната батерија

НАПОМЕНА: Индикаторот за батерија работи додека се вметнати две батерии.

НАПОМЕНА: Индикаторот за батерија исто така ќе се активира кога правосмукалната ќе започне да функционира.

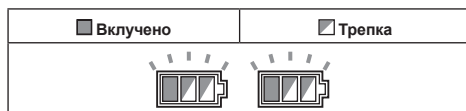
Систем за заштита на уредот/батеријата

Уредот е опремен со систем за заштита на уредот/батеријата. Овој систем автоматски го прекинува напојувањето на моторот за да го продолжи работниот век на уредот и на батеријата. Уредот автоматски ќе се исклучи за време на работењето ако тој или батеријата се најдат под еден од следниве услови:

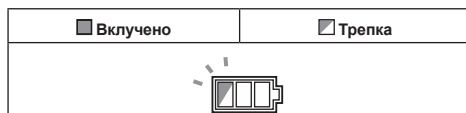
Заштита од преоптоварување

Кога со уредот/батеријата се работи на начин што предизвикува повлекување прекумерно висока струја, уредот автоматски се исклучува. Во таква ситуација, исклучете го уредот и запрете со примената што предизвикала негово преоптоварување. Потоа, повторно вклучете го уредот за да се рестартира.

Заштита од прегревавање



Кога уредот е прегреан, тој автоматски запира, а левиот и десниот индикатор за батерија трепкаат. Во оваа ситуација, оставете го уредот да се излади и исчистете ги филтрите пред повторно да го вклучите.



Кога батеријата е прегреана, уредот автоматски запира, а едниот од индикаторите за прегреана батерија трепка. Во оваа ситуација, оставете ја батеријата да се излади пред повторно да го вклучите уредот.

Заштита од прекумерно празнење

Кога капацитетот на батеријата ќе падне на ниско ниво, уредот автоматски запира. Ако уредот не работи заедно со работата на прекинувачот, извадете ги батериите од уредот и наполнете ги.

Заштита од други причини

Системот за заштита исто така е дизајниран и за други причини што може да го оштетат уредот и овозможува тој да запре автоматски. Преземете ги сите следни чекори за да ги отстраните причините кога уредот е доведен до привремено запирање или престанување на работата.

1. Исклучете го уредот и потоа повторно вклучете го за да се рестартира.
2. Наполнете ја батеријата(ите) или заменете ја/ги со наполнета батерија(и).
3. Оставете ги уредот и батеријата(ите) да се оладат.

Доколку не дојде до подобрување со враќање на системот за заштита, контактирајте со локалниот сервисен центар на Makita.

Вклучување

Вклучување на правосмукалката

1. Свртете го прекинувачот за режим на подготвеност во позиција „I“ (ВКЛУЧЕНО) или „АУТО“ (ВКЛУЧЕНО) за да биде правосмукалката во режим на подготвеност.
2. Притиснете го копчето за напојување. За да ја префрлите правосмукалката во режим на подготвеност, повторно притиснете го копчето за напојување.

Исклучување на правосмукалката

Извршете еден од следниве чекори.

- Притиснете го копчето за напојување за да ја вратите правосмукалката во режим на подготвеност.
- Свртете го прекинувачот за режим на подготвеност во позиција „О“ (ИСКЛУЧЕНО).

Нагодување на силата на смукање

Силата на смукање може да се нагоди во согласност со работата што ќе се извршува.

- Свртете го копчето за нагодување на силата на смукање налево за да се намали силата на смукање.
- Свртете го копчето за нагодување на силата на смукање надесно за да се зголеми силата на смукање.

Избор на дијаметар на цревето

Поставете го бирачот за дијаметар на црево на дијаметарот на цревето што ќе го користите.

НАПОМЕНА: Не поставувајте го бирачот на празните места помеѓу броевите. Секогаш вртете го бирачот во согласност со дијаметарот на цревето.

- **Сл.6:** 1. Прекинувач за режим на подготвеност
2. Копче за нагодување на силата на смукање 3. Бирач за дијаметар на црево
4. Копче за напојување

ЗАБЕЛЕШКА: Секогаш поставете го прекинувачот за режим на подготвеност на страната „О“ кога нема да ја користите правосмукалката подолго време. Правосмукалката троши енергија за време на состојбата на подготвеност.

Звучен сигнал за предупредување

Постојат два типа звучни сигнали. Едниот звучен сигнал титка кратко, а другиот континуирано.

- Кога брзината на проток на воздухот ќе падне под 20 м/с, правосмукалката емитува кратки звучни сигнали за предупредување заради безбедносни причини. Кога ќе се огласи сигналот, проверете го бирачот за дијаметар на цревето или проверете дали силата на смукање е прениска. Ако звучниот сигнал продолжува да се емитува, извршете одржување или побарајте помош од вашиот локален сервисен центар.
- Кога резервоарот е полн со течност, правосмукалката емитува континуиран звучен сигнал за предупредување и автоматски запира. Откако правосмукалката ќе запре, исклучете ја и испразнете го резервоарот.

Стопирање на автоматско смукање за време на водено смукање

▲ПРЕДУПРЕДУВАЊЕ: Не смукајте пена или сапуница. Тоа може да предизвика пената да излезе преку излезот за воздух. Континуираната работа во овие услови може да предизвика струен удар и кршење на правосмукалката.

Правосмукалката има механизам што спречува навлегување вода во моторот кога ќе дојде до смукање одредена количина вода. Кога резервоарот е полн со течност, правосмукалката емитува континуиран звучен сигнал за предупредување и автоматски запира. Откако правосмукалката ќе запре, исклучете ја и испразнете го резервоарот.

Систем за чистење на филтрите

Овој уред има монтиран систем за чистење на филтрите. За време на користење на уредот, системот за чистење на филтрите автоматски го чисти правот од филтрите за да спречи намалување на силата на смукање поради нивно затнување.

Доколку уредот вшмука голема количина прав наеднаш, силата на смукање може да се намали. Во тој случај, се препорачува рачно чистење на филтрите.

1. Исклучете го уредот.
 2. Поставете ја мотка на смукање на максимум и потоа затворете го отворот на цревето за смукање со дланката.
 3. Вклучете го уредот и работете приближно 15 секунди со затворен отвор на цревето за смукање.
- **Сл.7:** 1. Отвор на цревето за смукање

НАПОМЕНА: Волуменот на воздухот може да се промени додека се активира системот за чистење на филтрите, но не е неисправен.

Одвод за вода

Кога резервоарот е полн со течност, исклучете ја правосмукалката и отворете го капачето на одводот за вода за да го испразните резервоарот.

- **Сл.8:** 1. Капаче на одводот за вода

Капаче

Капачето се испорачува со уредот. Со монтирање на капачето на приклучокот за поврзување на цревето се спречува вшмукањето прав да излезе надвор од правосмукалката.

- **Сл.9:** 1. Капаче

Тркала за блокирање и одблокирање

Предните тркала може да се блокираат со запирачи како помош за да правосмукалната стои мирно. Слуштете го лостот за стопирање рачно за да го блокирате тркалото, а дигнете го за да го отпуштите.

- **Сл.10:** 1. Тркало со зглоб 2. Лост за запирање
3. Позиција СЛОБОДНО 4. Позиција ЗАКЛУЧЕНО

НАПОМЕНА: Кога ја движите правосмукалната, осигурете се дека тркалото е отклучено. Ако ја движите правосмукалната со тркалото во заклучена позиција, може да дојде до негово оштетување.

Транспортна рачка

ВНИМАНИЕ: Подигнувајте го и носете го уредот внимателно. Во спротивно, може да дојде до телесна повреда или оштетување на уредот.

Кога ја носите правосмукалната, држете ја за рачката на главната единица. Рачката има можност за вовлекување во главната единица кога не се користи.

- **Сл.11**

Доколку е тешко сами да го носите уредот, нека го носат двајца луѓе како што е прикажано на сликата.

- **Сл.12**

- **Сл.13**

СОСТАВУВАЊЕ

ПРЕДУПРЕДУВАЊЕ: Ова единица може да содржи опасен прав. Секогаш кога ги заменуваат елементите на филтерот и вреќата за прав или при одржување, користете респиратор P2.

ВНИМАНИЕ: Пред да извршувате каква било работа на уредот, секогаш проверувајте дали тој е исклучен и дали касетите за батеријата се извадени.

Монтирање и фрлање на филтер-вреќата

ПРЕДУПРЕДУВАЊЕ: Секогаш користете респиратор P2.

ПРЕДУПРЕДУВАЊЕ: Пред користењето филтер-вреќа, осигурете се дека со неа се користи единицата за филтрирање. Ако не се користи единицата за филтрирање, тоа може да предизвика необична бучава и топлина, што може да резултира со пожар.

ПРЕДУПРЕДУВАЊЕ: Кога го користите уредот како класа на прав M, секогаш осигурете се дека користите филтер-вреќа.

ЗАБЕЛЕШКА: Никогаш не смукајте вода или други течности или влажен прав кога се користи филтер-вреќа. Смукањето такви работи може да предизвика оштетување на филтер-вреќата.

1. Отпуштете ги куките за блокирање и подигнете ја главната единица од резервоарот.

- **Сл.14:** 1. Кука за блокирање

2. Одвиткајте ја филтер-вреќата.

3. Порамнете го отворот на филтер-вреќата со доводот за прав на резервоарот.

4. Поставете го картонот од филтер-вреќата на алатот, така што ќе биде позициониран на крајот зад издадениот деп.

- **Сл.15:** 1. Филтер-вреќа 2. Отвор на картонот
3. Држач за филтер-вреќа 4. Довод за прав 5. Раб

Кога ја фрлате филтер-вреќата во отпад, повлечете го работ на влезниот отвор на филтер-вреќата, така што отворот ќе биде затворен со хартија.

Монтирање на полиетиленската вреќа

Опционален прибор

Поставете полиетиленска вреќа над резервоарот и вметнете една страна од горниот раб на вреќата на нејзиниот отворен крај, помеѓу плочата на држачот и предниот ѕид на резервоарот. Потоа, распределете ги другите горни рабови од вреќата на надвор, над горните рабови на резервоарот. Со филтер-вреќата, може да се користи полиетиленска вреќа.

- **Сл.16:** 1. Плоча на држачот 2. Преден ѕид на резервоарот 3. Полиетиленска вреќа

НАПОМЕНА: Може да се користи комерцијално достапна полиетиленска вреќа. Се препорачува дебелината што е повеќе од 0,04 мм и периметар што е повеќе од 2.000 мм.

НАПОМЕНА: Премногу прав лесно ќе ја скине полиетиленската вреќа, затоа не преполнувајте ја вреќата. Фрлањето на тешката вреќа може да биде товар за човечкото тело.

Празнење резервоар со полиетиленска вреќа

ПРЕДУПРЕДУВАЊЕ: Секогаш проверувајте дали правосмукалната е исклучена и дали касетите за батеријата се извадени пред да го испразните резервоарот. Во спротивно, може да дојде до струен удар и тешка телесна повреда.

ЗАБЕЛЕШКА: Празнете го резервоарот најмалку еднаш дневно, иако тоа сепак зависи од волуменот на собран прав во резервоарот. Во спротивно, силата на смукање ќе се намали и може да дојде до дефект на моторот.

ЗАБЕЛЕШКА: Не држете за куките за блокирање кога го празните резервоарот. Држењето за куките за блокирање може да предизвика нивно кршење.

1. Отпуштете ги куките за блокирање и подигнете ја главната единица од резервоарот.

2. Извадете ја полиетиленската вреќа од резервоарот, затворајќи го отворот на вреќата со рака.

► **Сл.17:** 1. Полиетиленска вреќа 2. Резервоар

НАПОМЕНА: Внимателно извадете ја полиетиленската вреќа од резервоарот за да се избегне нејзиното гребење или кинење од рабовите во внатрешноста на резервоарот.

НАПОМЕНА: Испразнете ја полиетиленската вреќа пред да се наполни. Ако се собере премногу прав во резервоарот, полиетиленската вреќа може да се скине.

Монтирање црево

ЗАБЕЛЕШКА: Никогаш не виткајте го и не газете го цревето. Никогаш не движете ја правосмукалната со повлекување на цревето. Прекумерната сила, газењето и влечењето на цревето може да предизвикаат негово кршење или деформирање.

ЗАБЕЛЕШКА: Кога смукате отпад со голем обем, како на пример делканици од стружење, бетонски прав или слични работи освен отпад со мал обем, користете го цревето со внатрешен дијаметар од 38 мм (опционален додаток). Ако се користи цревето со внатрешен дијаметар од 28 мм (опционален додаток), тоа може да се затне и да се оштети.

ЗАБЕЛЕШКА: Поставувајте го капачето на монтажниот склоп секогаш кога го видате цревето од правосмукалната.

Поврзување со правосмукалната

Извадете го капачето од монтажниот склоп. Капачето исто така може да се чува во задниот деп од правосмукалната додека цревето е поврзано со правосмукалната.

► **Сл.18:** 1. Капаче

Вметнете го крајот на цревето во доводот за прав (влез за црево) на правосмукалната, потоа свртете го надесно додека не се блокира во место.

► **Сл.19:** 1. Црево 2. Довод за прав (влез за црево)

Поврзување со работните алати (Зависно од земјата)

Со поврзување на правосмукалната со сите достапни работни алати што се компатибилни со правосмукалната, таа работи како извлекувач на правот за вашите електрични алати.

Изберете еден од предните муфови или спојки (опционален додаток) како најсоодветен за моделот на вашиот алат. По потреба, поставете ги муфовите или спојката помеѓу предниот крај на цревето на правосмукалната и отворот за отстранување прав на алатот.

► **Сл.20:** 1. Преден муф или спојка 2. Црево на правосмукалната 3. Електричен алат 4. Правосмукалка

Монтирање или отстранување додатоци на правосмукалната

⚠ВАЖНО: По монтирање на додатокот, проверете дали е монтиран безбедно. Доколку додатокот е монтиран неправилно, може да се откачи и да предизвика телесна повреда.

Кога користите додаток без функција за заклучување

Опционален прибор

Вметнете го додатокот во отворот за смукање на правосмукалната со притискање и рачно зашрафување во место. Свртете го со рака и разделете го додатокот од отворот за смукање по употребата.

► **Сл.21**

Монтирање МАКРАС

Опционален прибор

⚠ВАЖНО: Не стојте ниту седете врз уредот. Тој може да падне поради нестабилност.

⚠ВАЖНО: Бидете внимателни со работата кога монтираете МАКРАС. Во спротивно, може да дојде до телесна повреда или оштетување на уредот.

⚠ВАЖНО: Кога МАКРАС ќе се монтира на уредот, не кревајте го уредот со рачката од МАКРАС.

⚠ВАЖНО: При поместување на уредот на кој е монтиран МАКРАС, не туркајте го МАКРАС, туку телото на уредот. Со туркање на МАКРАС може да се скршат резињата и МАКРАС може да падне, што може да резултира со телесна повреда.

Кутиите за чување на МАКРАС, што може да се поврзуваат и редат една врз друга, може да се монтираат врз правосмукалната. Кутиите се достапни во многу големини и стилови што им одговараат на вашите претпочитања.

1. Отворете ги резињата на горниот дел од правосмукалната.

► **Сл.22:** 1. Резе

2. Монтирајте ги кутиите на МАКРАС врз правосмукалната и прицврстете ги со резиња.

► **Сл.23:** 1. Резе 2. МАКРАС

Максималната висина и тежина на монтирањето МАКРАС се 315 мм и 20 кг.

► **Сл.24**

РАБОТЕЊЕ

⚠ПРЕДУПРЕДУВАЊЕ: Секогаш користете респиратор P2.

⚠ВАЖНО: Ако дојде до излевање пена или течност од алатот, веднаш исклучете го. Ако се продолжи да се работи во оваа состојба, може да дојде до струен удар и кршење на правосмукалната.

ФУНКЦИЈА ЗА АКТИВИРАЊЕ НА БЕЗЖИЧНИОТ УРЕД

Опционален прибор

Што може да направите со функцијата за безжично активирање

Функцијата за безжично активирање овозможува чисто и удобно работење. Со поврзување поддржан уред на правосмукалката, таа ќе работи автоматски заедно со менување на работата на алатот.

► **Сл.25**

ЗАБЕЛЕШКА: Погледнете во упатството за употреба на алатот кога ја користите правосмукалката со функцијата за безжично активирање.

ЗАБЕЛЕШКА: Не расклопувајте го или не експериментирајте со безжичниот уред.

ЗАБЕЛЕШКА: За да се спречи прав да навлезе во отворот на безжичниот уред, секогаш затворајте го капакот за време на работењето и складирањето.

ЗАБЕЛЕШКА: Не притискајте го копчето за безжично активирање премногу силно и/или притискајте го копчето со предмет со остар раб.

НАПОМЕНА: За безжичното активирање, потребни се алати на Makita со безжичен уред.

НАПОМЕНА: Пред првото користење на функцијата за безжично активирање кај секој алат, потребно е да се регистрира алатот. Штом еднаш ќе се регистрира алатот, нема потребна од повторна регистрација, освен ако таа не се откаже.

НАПОМЕНА: Пред регистрацијата, проверете дали безжичниот уред е правилно вметнат.

НАПОМЕНА: Еден безжичен уред може да регистрира најмногу 10 врски со други безжични уреди. Ако се регистрирани повеќе од 10 безжични уреди на еден безжичен уред, оној што е регистриран најрано ќе биде откажан автоматски.

НАПОМЕНА: Положбата на копчето за безжично активирање се разликува во зависност од алатот.

НАПОМЕНА: Правосмукалката може да се активира и со притискање на копчето за напојување кога прекинувачот за режим на подготвеност е поставен на „AUTO“. Сепак, копчето за напојување нема да се активира кога се користи функцијата за безжично активирање.

Инсталирање на безжичниот уред

▲ ПРЕДУПРЕДУВАЊЕ: Отворете го капакот само кога ќе го монтирате безжичниот уред за првпат. Никогаш не отворајте го капакот откако ќе го монтирате.

▲ ВНИМАНИЕ: Поставете ја правосмукалката на рамна и стабилна површина кога го инсталирате безжичниот уред.

ЗАБЕЛЕШКА: Исчистете го правот и нечистотијата на правосмукалката пред да го инсталирате безжичниот уред. Правот или нечистотијата може да предизвикаат дефект доколку дојдат во отворот на безжичниот уред.

ЗАБЕЛЕШКА: За спречување дефект предизвикан од статички електрицитет, допрете материјал за статичко празнење, како метален дел, пред да го подигнете безжичниот уред.

ЗАБЕЛЕШКА: Кога го инсталирате безжичниот уред, секогаш проверувајте дали тој се вметнува во правилна насока и дали капакот е целосно затворен.

1. Олабавете го шрафот за да го отворите капакот на правосмукалката како што е прикажано на сликата.

► **Сл.26:** 1. Капак 2. Шраф

2. Вметнете го безжичниот уред во отворот.

Кога го инсталирате безжичниот уред, порамнете ги издадените делови со вдлабнатите делови на отворот.

► **Сл.27:** 1. Безжичен уред 2. Издаден дел 3. Капак 4. Вдлабнат дел

3. Целосно затегнете го шрафот за да го затворите капакот.

Регистрација на алат за правосмукалката

НАПОМЕНА: За регистрација на алатот, потребна е правосмукалка на Makita што ја поддржува функцијата за безжично активирање.

НАПОМЕНА: Завршете го инсталирањето на безжичниот уред на алатот пред да ја стартувате регистрацијата на алатот.

НАПОМЕНА: За време на регистрацијата на алатот не повлекувајте го прекинувачот за стартување или не вклучувајте го прекинувачот за напојување на правосмукалката.

НАПОМЕНА: Исто така, погледнете го прирачникот со упатства на алатот.

Доколку сакате да ја активирате правосмукалката заедно со менувањето на работата на алатот, претходно завршете ја регистрацијата на алатот.

1. Монтирајте ги безжичните уреди на правосмукалката и алатот, соодветно.

2. Монтирајте ги батериите на правосмукалката и алатот.

3. Поставете го прекинувачот за режим на подготвеност на правосмукалката на „AUTO“.

► **Сл.28:** 1. Прекинувач за режим на подготвеност

4. Држете го копчето за безжично активирање на правосмукалката 3 секунди додека ламбичката за безжично активирање не затрепка зелено. А потоа на ист начин притиснете го копчето за безжично активирање на алатот.

► **Сл.29:** 1. Копче за безжично активирање
2. Ламбичка за безжично активирање

Доколку правосмукалката и алатот се поврзат успешно, ламбичките за безжично активирање ќе засветат зелено 2 секунди и ќе почнат да трепкаат сино.

НАПОМЕНА: Ламбичките за безжично активирање ќе престанат да трепкаат зелено по 20 секунди. Притиснете го копчето за безжично активирање на алатот додека трепка ламбичката за безжично активирање на правосмукалката. Доколку ламбичката за безжично активирање не трепка зелено, притиснете го кратко копчето за безжично активирање и повторно задржете го.

НАПОМЕНА: Кога изведувате две или повеќе регистрацији за правосмукалката, завршете ја регистрацијата на алатот едно по едно.

Стартување на функцијата за безжично активирање

НАПОМЕНА: Завршете ја регистрацијата на алат за правосмукалката за безжично активирање.

НАПОМЕНА: Секогаш поставувајте ја правосмукалката така што ќе може да го видите статусот на ламбичката за безжично активирање.

НАПОМЕНА: Исто така, погледнете го прирачникот со упатства на алатот.

По регистрирање на алатот на правосмукалката, таа ќе работи автоматски заедно со менувањето на работата на алатот.

1. Монтирајте ги безжичните уреди на правосмукалката и алатот, соодветно.
2. Монтирајте ги батериите на правосмукалката и алатот.
3. Поврзете го цреволото од правосмукалката со алатот.
► **Сл.30**

4. Поставете го прекинувачот за режим на подготвеност на правосмукалката на „AUTO“.

► **Сл.31:** 1. Прекинувач за режим на подготвеност

5. Кратко притиснете го копчето за безжично активирање на алатот. Ламбичката за безжично активирање ќе свети сино.

► **Сл.32:** 1. Копче за безжично активирање
2. Ламбичка за безжично активирање

6. Вклучете го алатот. Проверете дали правосмукалката работи додека алатот е во функција.

▲ВНИМАНИЕ: Секогаш проверувајте дали работи функцијата за безжично активирање пред да започнете со работа со алатот.

За да го сопрете безжичното активирање, притиснете го копчето за безжично активирање на алатот или поставете го прекинувачот за режим на подготвеност на правосмукалката на „I“ или „O“.

НАПОМЕНА: Ламбичката за безжично активирање на алатот ќе престане де трепка сино кога нема да работи 2 часа. Во овој случај, поставете го прекинувачот за режим на подготвеност на правосмукалката на „AUTO“ и повторно притиснете го копчето за безжично активирање на алатот.

НАПОМЕНА: Правосмукалката стартува/запира со задоцнување. Постои временско задоцнување кога правосмукалката открива менување на работата на алатот.

НАПОМЕНА: Далечината на пренос на безжичниот уред може да се разликува, зависно од условите на локацијата и околината.

НАПОМЕНА: Кога на правосмукалката се регистрирани два или повеќе алати, таа може да почне да работи дури и ако не го вклучите алатот бидејќи друг корисник ја користи функцијата за безжично активирање.

Откажување на регистрацијата за правосмукалката

Извршете ја следнава постапка кога ја откажувате регистрацијата на алатот за правосмукалката.

1. Монтирајте ги безжичните уреди на правосмукалката и алатот, соодветно.
2. Монтирајте ги батериите на правосмукалката и алатот.
3. Поставете го прекинувачот за режим на подготвеност на правосмукалката на „AUTO“.
► **Сл.33:** 1. Прекинувач за режим на подготвеност

4. Држете го копчето за безжично активирање на правосмукалката 6 секунди. Ламбичката за безжично активирање трепка зелено, а потоа станува црвена. Потоа на ист начин притиснете го копчето за безжично активирање на алатот.
► **Сл.34:** 1. Копче за безжично активирање
2. Ламбичка за безжично активирање

Доколку откажувањето се изврши успешно, ламбичките за безжично активирање ќе засветат црвено 2 секунди и ќе почнат да трепкаат сино.

НАПОМЕНА: Ламбичките за безжично активирање ќе престанат да трепкаат црвено по 20 секунди. Притиснете го копчето за безжично активирање на алатот додека трепка ламбичката за безжично активирање на правосмукалката. Доколку ламбичката за безжично активирање не трепка црвено, притиснете го кратко копчето за безжично активирање и повторно задржете го.

Бришење на сите регистраци на алат

Може да ги избришете сите регистраци на алат од правосмукалката на следниов начин.

- **Сл.35:** 1. Прекинувач за режим на подготвеност
2. Копче за безжично активирање
3. Ламбичка за безжично активирање

1. Монтирајте го безжичниот уред на правосмукалката.
2. Монтирајте ги батериите на правосмукалката.
3. Поставете го прекинувачот за режим на подготвеност на „АУТО“.
4. Држете го притиснато копчето за безжично активирање околу 6 секунди додека ламбичката за безжично активирање не почне да трепка црвено (околу двапати во секунда).

5. Кога ламбичката за безжично активирање ќе почне да трепка црвено, пуштете го копчето за безжично активирање. Потоа, повторно задржете го копчето за безжично активирање околу 6 секунди.











6. Кога ламбичката за безжично активирање ќе почне да трепка брзо (околу 5 пати во секунда) црвено, пуштете го копчето за безжично активирање. Кога ламбичката за безжично активирање ќе свети црвено, а потоа ќе се исклучи, сите регистраци на алат се избришани.

НАПОМЕНА: Доколку ламбичката за безжично активирање не трепка црвено, притиснете го кратко копчето за безжично активирање и обидете се повторно.

Опис на статусот на ламбичката за безжично активирање

- **Сл.36:** 1. Копче за безжично активирање
2. Ламбичка за безжично активирање

Ламбичката за безжично активирање го покажува статусот на функцијата за безжично активирање. Погледнете ја табелата подолу за значењето на статусот на ламбичката.

Статус	Ламбичка за безжично активирање			Времетраење (приближно)	Опис
	Боја	 Вклучено	 Трепка		
Режим на готовност	Сино			Правосмукалка: континуирано Алат: 2 часа	Чекањето за регистрација на алатот или за функцијата за безжично активирање е достапно. Ламбичката на правосмукалката трепка кога прекинувачот за режим на подготвеност е поставен на „АУТО“. Ламбичката на алатот трепка кога е притиснато копчето за безжично активирање. Ламбичката на алатот автоматски ќе се исклучи кога не се извршува работа 2 часа.
				Кога алатот работи.	Безжичното активирање на правосмукалката е достапно и алатот работи.
Регистрација на алатот	Зелено			20 секунди	Подготвено за регистрација на алатот. Се бара уредот што треба да се регистрира.
				2 секунди	Регистрацијата на алатот е завршена. Ламбичката за безжично активирање ќе почне да свети сино.
Откажување/ бришење на регистрацијата на алатот	Црвено	 (бавно: 2 пати/ секунда)		20 секунди	Подготвено за откажување на регистрацијата на алатот. Се бара уредот што треба да се откаже.
		 (брзо: 5 пати/ секунда)		Кога е притиснато копчето за безжично активирање.	Подготвено за бришење на сите регистраци на алатот.
				2 секунди	Регистрацијата на алатот е откажана/избришана. Ламбичката за безжично активирање ќе почне да свети сино.
Друго	Црвено			3 секунди	Безжичниот уред се напојува и се стартува функцијата за безжично активирање.
	Исклучено	-		-	Прекинувачот за режим на подготвеност не е поставен на „АУТО“.

Решавање проблеми на функцијата за безжично активирање

Пред да нарочате поправка, прво сами проверете ја состојбата. Ако најдете проблем што не е објаснет во упатството, не обидувајте се да го расклопите алатот. Наместо тоа, побарајте помош од овластените сервисни центри на Makita и секогаш користете делови за замена и поправка од Makita.

Состојба на аномалии	Можна причина (дефект)	Поправка
Ламбичката за безжично активирање не свети/трепка.	Безжичниот уред не е инсталиран во правосмукалната и/или алатот. Безжичниот уред е неправилно инсталиран во правосмукалната и/или алатот.	Инсталирајте го безжичниот уред правилно.
	Копчето за безжично активирање на алатот не е притиснато.	Кратко притиснете го копчето за безжично активирање на алатот.
	Прекинувачот за режим на подготвеност на правосмукалната не е поставен на „AUTO“.	Поставете го прекинувачот за режим на подготвеност на правосмукалната на „AUTO“.
	Нема напојување	Напојувајте ги алатот и правосмукалната.
Регистрацијата на алатот/откажувањето на регистрацијата на алатот не може да се заврши успешно.	Безжичниот уред не е инсталиран во правосмукалната и/или алатот. Безжичниот уред е неправилно инсталиран во правосмукалната и/или алатот.	Инсталирајте го безжичниот уред правилно.
	Прекинувачот за режим на подготвеност на правосмукалната не е поставен на „AUTO“.	Поставете го прекинувачот за режим на подготвеност на правосмукалната на „AUTO“.
	Нема напојување	Напојувајте ги алатот и правосмукалната.
	Неправилна работа	Кратко притиснете го копчето за безжично активирање и повторно извршете ја постапката за регистрација/откажување на алатот.
	Алатот и правосмукалната се оддалечени еден од друг (надвор од опсегот за пренос).	Приближете ги алатот и правосмукалната еден до друг. Максималната далечина на преносот е околу 10 м, сепак може да се разликува зависно од околностите.
	Пред завршување на регистрацијата/откажувањето на алатот; - прекинувачот на алатот е вклучен или; - копчето за напојување на правосмукалната е вклучено.	Кратко притиснете го копчето за безжично активирање и повторно извршете ја постапката за регистрација/откажување на алатот.
	Постапката за регистрација за алатот или правосмукалната не е завршена.	Извршете ги постапките за регистрација истовремено за алатот и правосмукалната.
	Радиопречки од други уреди што создаваат радиобранови со висок интензитет.	Држете ги алатот и правосмукалната подалеку од уредите како Wi-Fi-уреди и микробранови печки.

Состојба на аномалии	Можна причина (дефект)	Поправка
Правосмукалката не работи заедно со менувањето на работата на алатот.	Безжичниот уред не е инсталиран во правосмукалката и/или алатот. Безжичниот уред е неправилно инсталиран во правосмукалката и/или алатот.	Инсталирајте го безжичниот уред правилно.
	Копчето за безжично активирање на алатот не е притиснато.	Притиснете го кратко копчето за безжично активирање и осигурете се дека ламбичката за безжично активирање трепка сино.
	Прекинувачот за режим на подготвеност на правосмукалката не е поставен на „AUTO“.	Поставете го прекинувачот за режим на подготвеност на правосмукалката на „AUTO“.
	Повеќе од 10 алати се регистрирани на правосмукалката.	Повторно извршете ја регистрацијата на алатот. Ако се регистрирани повеќе од 10 алати на правосмукалката, алатот што е регистриран најрано ќе биде откажан автоматски.
	Правосмукалката ги избриша сите регистрации на алатот.	Повторно извршете ја регистрацијата на алатот.
	Нема напојување	Напојувајте ги алатот и правосмукалката.
	Алатот и правосмукалката се оддалечени еден од друг (надвор од опсегот за пренос).	Приближете ги алатот и правосмукалката еден до друг. Максималната далечина на преносот е околу 10 м, сепак може да се разликува зависно од околностите.
	Радиопречки од други уреди што создаваат радиобранови со висок интензитет.	Држете ги алатот и правосмукалката подалеку од уредите како Wi-Fi-уреди и микробранови печки.
Правосмукалката работи додека алатот не е во функција.	Други корисници го користат безжичното активирање на правосмукалката со нивните алати.	Исклучете го копчето за безжично активирање на другите алати или откажете ја регистрацијата на алатот на другите алати.
Не може да се избришат сите регистрации на алат за правосмукалката.	Притискање на копчето за безжично активирање на алатот.	Притиснете го копчето за безжично активирање на правосмукалката за бришење на сите регистрации на алат.
	Прекинувачот за режим на подготвеност на правосмукалката не е поставен на „AUTO“.	Поставете го прекинувачот за режим на подготвеност на правосмукалката на „AUTO“.
	Копчето за безжично активирање не е притиснато правилно.	Држете го притиснато копчето за безжично активирање повеќе од 6 секунди, а потоа пуштете го кога ламбичката за безжично активирање ќе засвети црвено. Држете го притиснато копчето за безжично активирање повеќе од 6 секунди повторно додека не почне да трепка брзо во црвено, а потоа пуштете го.

ОДРЖУВАЊЕ

▲ ПРЕДУПРЕДУВАЊЕ: Секогаш кога изведувате одржување, користете респиратор Р2.

▲ ВНИМАНИЕ: Пред проверки или одржување, секогаш проверувајте дали уредот е исклучен и касетите за батерија се извадени.

▲ ВНИМАНИЕ: Техничката инспекција, вклучувајќи инспекција на филтрите, протокот на воздух и механизмот за управување, мора да ја извршува обучено лице барем еднаш годишно.

▲ ВНИМАНИЕ: За време на одржувањето, сите контаминирани делови што не може да се исчистат до задоволително ниво, мора да се фрлат во отпад. Таквите делови мора да се фрлат во непропустливи вреќи во согласност со прописите во вашата држава.

▲ ВНИМАНИЕ: По работата во опасна област, наворешноста на алатот мора да се деконтаминира со чистење со вакуум, и да се избрише или да се нанесе средство за изолација, пред да го изнесете алатот од опасната област. Сите делови на алатот мора да се сметаат за контаминирани при изнесувањето од опасната област и мора да се преземат соодветни дејства за спречување распространување на правот.

▲ ВНИМАНИЕ: Сменете ги филтрите кога ќе се затнат со прав или кога чувствувате дека изведбата на правосмукалната е со опаднат интензитет.

▲ ВНИМАНИЕ: Проверувајте ги филтрите периодично. Ако филтрите се скинати, веднаш заменете ги.

ЗАБЕЛЕШКА: За чистење, не користете нафта, бензин, разредувач, алкохол или слично. Тие средства ја вадат бојата и може да предизвикаат деформации или пукнатини.

За да се одржи БЕЗБЕДНОСТА и СИГУРНОСТА на производот, поправките, одржувањата или дотерувањата треба да се вршат во овластени сервисни или фабрички центри на Makita, секогаш со резервни делови од Makita.

Вадење на единицата за филтрирање

▲ ВНИМАНИЕ: Почекајте околу 5 минути за да целосно се сталожи правот во резервоарот.

▲ ВНИМАНИЕ: Внимавајте да не дозволите правот да навлезе во капакот на резервоарот кога ја вадите единицата за филтрирање.

Единицата за филтрирање е прикачена на главната единица. Се состои од горна плоча, претфилтри, придувачи и филтри за прав.

1. Отпуштете ги куките за блокирање и подигнете ја главната единица од резервоарот.
 2. Извадете ја единицата за филтрирање од главната единица како што е прикажано на сликата.
- **Сл.37:** 1. Резе 2. Единица за филтрирање

Вадење на филтерот за прав и претфилтерот

Подигнете го јазичето и извадете ги филтрите од горната плоча.

► **Сл.38:** 1. Горна плоча 2. Филтри 3. Јазиче

За да се спречи излегување на правот од филтрите, препорачливо е филтрите да се отстранат во полиетиленска вреќа.

При носење на единицата за филтрирање да се исчисти, врзете ја цврста полиетиленската вреќа.

► **Сл.39:** 1. Единица за филтрирање
2. Полиетиленска вреќа

► **Сл.40:** 1. Горна плоча 2. Филтри
3. Полиетиленска вреќа

Чистење на филтерот за прав, претфилтерот и придувачот

Одвреме-навреме, чистете ги филтрите и придувачот. Затнати филтри и придувач може да резултираат со отежнато смукање.

Редовно чистете го насобраниот прав на филтрите и придувачот.

Повремено измијте ги филтерот за прав, претфилтерот и придувачот во вода, исплакнете ги и темелно исушете ги во сенка пред употреба. Никогаш не мијте ги во машина за перење алишта.

► **Сл.41**

НАПОМЕНА: Не тријте ги ниту гребете ги филтерот за прав, предфилтерот или придувачот со тврди предмети, како на пример, четка или лопатче.

НАПОМЕНА: Филтрите се абат со текот на времето. Препорачливо е да имате резервни филтри.

Монтирање на филтерот за прав и претфилтерот

ЗАБЕЛЕШКА: Филтерот за прав и претфилтерот може да собираат сув и влажен прав. Осигурете се дека сензорите за ниво на вода правилно се активираат за да се избегне кршење на филтерот за прав.

Закачете ги рабовите на единицата за филтрирање на горната плоча и потоа спуштете го јазичето.

► **Сл.42:** 1. Раб 2. Јазиче

ЗАБЕЛЕШКА: Пред употреба на филтерот за прав, осигурете се дека предфилтерот и придувачот секогаш се користат заедно. Не е дозволено филтерот за прав да се монтира самостојно.

Склопување на филтрите

Кога ќе ги добиете филтрите одделно, склопувајте ги како што е прикажано на сликата.

► **Сл.43:** 1. Филтер за прав 2. Придувач
3. Претфилтер

Монтирање на единицата за филтрирање

По монтирање на филтрите на горната плоча, закачете ги отворите на единицата за филтрирање на деловите во облик на U од внатрешниот капак. Потоа блокирајте го резето како што е прикажано на сликата.

► **Сл.44:** 1. Дел во облик на U 2. Отвор 3. Резе

Монтирање филтер за вода

Опционален прибор

ЗАБЕЛЕШКА: За смукање влажен прав, осигурете се дека сензорите за ниво на вода правилно се активираат.

ЗАБЕЛЕШКА: Не користете претфилтер и придрушувач кога користите филтер за вода.

За да смукате само вода или влажен прав, филтерот за вода е посоодветен од филтерот за прав и претфилтерот. Кога ќе го монтирате филтерот за вода, поставете го на горната плоча, исто како и филтерот за прав и претфилтерот.

► **Сл.45**

НАПОМЕНА: Се препорачува да се користи филтер за вода при постојано смукање голема количина на вода. Во спротивно, способноста за смукање може да се намали во случај да се користат филтерот за прав и претфилтерот.

Чистење на сензорите за ниво на вода

Сензорите за ниво на вода детектираат течност кога резервоарот ќе се наполни со течност. Чистете ги сензорите за ниво на вода со мека крпа одвреме-навреме кога ги менувате филтрите.

► **Сл.46:** 1. Сензор за ниво на вода

Складирање на додатоците

Приборот и додатоците што не се користат, како на пример смукалки, цевки и капаче, може да се складираат со закачување на закачалката во задниот дел од правосмукалката.

► **Сл.47:** 1. Прибор и додатоци што не се користат
2. Капаче

Цевките (со монтиран опционален запирач) може да се постават на држачот за цевки кога не ја користите правосмукалката на пократок период.

► **Сл.48:** 1. Запирач (опционален додаток)
2. Држач за цевка

Цревото може да се намота и складира околу кукиштето или рачката на правосмукалката во големи кругови. Поврзете ги неговите двата краја за да направите кругови и закачете ги круговите на подигнатата рачка. Алтернативно, оставете го почетниот крај вметнат во влезот за црево, закачете ги круговите на повеќенаменската закачалка и врзете го слободниот крај.

► **Сл.49**

► **Сл.50**

ОПЦИОНАЛЕН ПРИБОР

▲ВНИМАНИЕ: Овој прибор или додатоци се препорачуваат за користење со алатот од Makita дефиниран во упатството. Со користење друг прибор или додатоци може да се изложите на ризик од телесни повреди. Користете ги приборот и додатоците само за нивната назначена намена.

Ако ви треба помош за повеќе детали за приборот, прашајте во локалниот сервисен центар на Makita.

- Црево
- Предни муфови (22, 24, 38)
- Рамна цевка
- Додаток за агли
- Кружна четка
- Филтер за прав M, H (HEPA)
- Придрушувач
- Предфилтер
- Филтер за вода
- Склоп на додатокот за агли
- Свиткана цевка
- Полиетиленска вреќа
- Филтер-вреќа
- Капаче
- Оригинална батерија и полнач на Makita
- Безжичен уред
- МАКРАС

НАПОМЕНА: Некои ставки на листата може да се вклучени со алатот како стандарден прибор. Тие може да се разликуваат од држава до држава.

УПОЗОРЕЊЕ

- Није предвиђено да овај уређај користе особе, у које спадају и деца, са умањеним физичким, чулним или менталним способностима, односно особе које немају одговарајуће искуство и знање.
- Надгледајте децу како бисте били сигурни да се неће играти усисивачем.
- Погледајте поглавље „СПЕЦИФИКАЦИЈЕ“ за референцу типа батерије.
- Погледајте одељак „Постављање и уклањање улошка батерије“ да бисте сазнали како да уклоните или поставите батерију.
- Када одлажете уложак батерије на отпад, извадите га из алата и одложите на безбедно место. Придржавајте се локалних прописа у вези са одлагањем батерије.
- Ако се алат не користи током дужег периода, батерија мора да се извади из алата.
- Немојте да изазивате кратак спој улошка батерије.
- Погледајте поглавље „ОДРЖАВАЊЕ“ за одговарајуће детаље о мерама предострожности током корисничког одржавања.

ТЕХНИЧКИ ПОДАЦИ

Модел:		VC006GM
Максимална запремина ваздуха на крају црева	Са улошком батерије BL4050F и цревом ø28 мм x3,5 м	2,0 м ³ /мин
	Са улошком батерије BL4050F и цревом ø38 мм x 2,5 м	3,7 м ³ /мин
Максимална запремина ваздуха на турбини (са улошком батерије BL4050F)		4,9 м ³ /мин
Усисивач (са улошком батерије BL4050F)		18 kPa
Капацитет који може да се поврати	Прашина	40 л
	Вода	30 л
Димензије (Д x Ш x В)		586 мм x 385 мм x 598 мм
Номинални напон		DC 72 V – 80 V макс.
Нето тежина		18,4 – 20,8 кг
Степен заштите		IPX4

- На основу нашег непрестаног истраживања и развоја задржавамо право измена наведених техничких података без претходне најаве.
- Спецификације могу да се разликују у различитим земљама.
- Тежина не укључује други прибор осим уложака батерије. У табели су приказане најлакше и најтеже комбинације тежине уређаја и улошка батерије.

Применљив уложак батерије и пуњач

Уложак батерије	BL4020 / BL4025 / BL4040* / BL4050F* / BL4080F* * : Препоручена батерија
Пуњач	DC40RA / DC40RB / DC40RC

- Неки горенаведени улошци батерија и пуњачи можда неће бити доступни у зависности од места становања.

▲ УПОЗОРЕЊЕ: Користите само горенаведене улошке батерије и пуњаче. Коришћење других уложака батерије и пуњача може узроковати повреде и/или пожар.

Симболи

У наставку су приказани симболи који се односе на опрему. Пре употребе се обавезно упознајте са њиховим значењем.



Прочитајте упутство за употребу.



Будите нарочито пажљиви и опрезни.



Упозорење! У усисивачу се можда налази опасна прашина.



Немојте стајати на усисивачу.



Никада не стављајте ништа теже од 20 кг (44 фунти) на усисивач.



Класа прашине М (средња): за раздвајање прашине са граничном вредношћу изложености на радном месту не мањом од 0,1 мг/м³. Усисивачи могу да усисавају категорије прашине L и M. Придржавајте се прописа у вашој земљи и вези са категоријама прашине и здрављем и безбедношћу на радном месту.



Само за земље ЕУ
Због присуства штетних компонента у опреми, отпад од електричне и електронске опреме, акумулатора и батерија, може да има негативан утицај на животну средину и здравље људи. Не одлажите електричне и електронске уређаје или батерије са кућним отпадом! У складу са европском директивом о отпаду од електричне и електронске опреме и о акумулаторима и батеријама и отпаду од акумулатора и батерија, као и њеном прилагођавању националном закону, отпад од електричне и електронске опреме, батерија и акумулатора мора да се прикупи одвојено и достави одвојеном сабиралишту за комунални отпад који ради у складу са прописима о заштити животне средине. То означава симбол прецртане канте за смеће на опреми.

Намена

Уређај је намењен за сакупљање мокре и суве прашине. Овај уређај је погодан за комерцијалну употребу, на пример у хотелима, школама, болницама, фабрикама, продавницама, канцеларијама и просторима за издавање.

Бука

Типичан А-пондерисани ниво буке одређен је према стандарду EN60335-2-69:

Ниво звучног притиска (L_{РА}): 70 dB (A) или мање
Несигурност (К): 2,5 dB (A)

Ниво буке током рада може да премаши 80 dB (A).

НАПОМЕНА: Декларисане вредности емисије буке су измерене према стандардизованом мерном поступку и могу се користити за упоређивање алата.

НАПОМЕНА: Декларисана вредност емисије буке се такође може користити за прелиминарну процену изложености.

▲УПОЗОРЕЊЕ: Носите заштитне слушалице.

▲УПОЗОРЕЊЕ: Емисије буке током стварне примене електричног алата могу се разликовати од декларисане вредности у зависности од начина на који се користи алат, а посебно која врста предмета се обрађује.

▲УПОЗОРЕЊЕ: Уверите се да сте идентификовали безбедносне мере за заштиту руковаоца које су засноване на процени изложености у стварним условима употребе (узимајући у обзир све делове радног циклуса, као што је време рада уређаја, али и време када је алат искључен и када ради у празном ходу).

Вибрације

Укупна вредност вибрација (векторски збир по три осе) одређена је према стандарду EN60335-2-69: Вредност емисије вибрација (a_{h,m}): 2,5 м/с² или мања
Несигурност (К): 1,5 м/с²

НАПОМЕНА: Декларисане укупне вредности вибрација су измерене према стандардизованом мерном поступку и могу се користити за упоређивање алата.

НАПОМЕНА: Декларисане укупне вредности вибрација се такође могу користити за прелиминарну процену изложености.

▲УПОЗОРЕЊЕ: Вредност емисије вибрација током стварне примене електричног алата може се разликовати од декларисане вредности у зависности од начина на који се користи алат, а посебно која врста предмета се обрађује.

▲УПОЗОРЕЊЕ: Уверите се да сте идентификовали безбедносне мере за заштиту руковаоца које су засноване на процени изложености у стварним условима употребе (узимајући у обзир све делове радног циклуса, као што је време рада уређаја, али и време када је алат искључен и када ради у празном ходу).

ЕЗ декларација о усаглашености

Само за европске земље

ЕЗ декларација о усаглашености део је Додатка А у овом приручнику са упутствима.

БЕЗБЕДНОСНА УПОЗОРЕЊА

Безбедносна упозорења за бежични усисивач

▲ УПОЗОРЕЊЕ: ВАЖНО ПАЖЉИВО
ПРОЧИТАЈТЕ сва безбедносна упозорења и
упутства ПРЕ КОРИШЋЕЊА. Непоштовање
упозорења и упутстава може изазвати струјни
удар, пожар и/или тешке телесне повреде.

1. Пре коришћења проверите да ли ће усисивачем руковати особе које су прошле одговарајућу обуку за његово коришћење.
2. Пре употребе, корисници добијају информације, упутства и обуку за коришћење овог уређаја, као и за супстанце за које ће да га користе, укључујући безбедан начин уклањања и одлагања усисаног материјала.
3. Ако из усисивача излази пена/течност, одмах га искључите.
4. Редовно чистите граничник нивоа воде и проверавајте да ли на њему има знакова оштећења.
5. Пре него што почнете са радом, увек се уверите да су филтери правилно постављени. Немојте да користите усисивач без постављених филтера. Одмах замените оштећени филтер. Препоручује се да имате замену за њих, јер су филтери потрошни материјал.
6. **ВОДИТЕ РАЧУНА ДА НЕ УКЉУЧУЈЕТЕ СЛУЧАЈНО УСИСИВАЧ.** Пре постављања батерија, проверите да ли је прекидач искључен.
7. Немојте да усисавате запаљиве материјале, петарде, неугашене цигарете, врео пепео, вреле металне опилјке и оштре предмете као што су жилети, игле, поломљено стакло и слично.
8. **НЕМОЈТЕ НИКАДА ДА КОРИСТИТЕ УСИСИВАЧ У БЛИЗИНИ БЕНЗИНА, ПЛИНА, ФАРБЕ, ЛЕПКА И ДРУГИХ ЕКСПЛОЗИВНИХ МАТЕРИЈА.** Прекидач варнички када се укључује и искључује. Исто важи и за електромотор током коришћења. Може доћи до опасне експлозије.
9. Никада не усисавајте токсичне, канцерогене, запаљиве или друге опасне материјале као што су азбест, арсеник, баријум, берилијум, олово, пестициди или други материјали опасни по здравље.
10. Увек користите усисивач на хоризонталној равной површини да бисте спречили да случајно падне или се помери.
11. Немојте да користите усисивач напољу по киши.
12. За Финску, ова машина не сме да се користи на отвореном при ниској температури.
13. Немојте да користите усисивач у близини топлотних извора (шпорета итд.).
14. Ако се издувни ваздух врати у просторију, неопходно је да обезбедите одговарајућу размену ваздуха у просторији. Неопходно је да проверите националне прописе.
15. Немојте да блокирате улаз или излаз за усисавање, као ни вентилационе отворе. Ови отвори омогућавају хлађење мотора. Пазите да не запушите отворе да мотор не би прегорео због недостатка вентилације.
16. Увек морате имати одговарајући ослонац и одржавати равнотежу.
17. Немојте да савијате и вучете црево или газите по њему.
18. Одмах искључите усисивач ако приметите да лоше ради или да не ради нормално.
19. **УКЛОНИТЕ БАТЕРИЈЕ.** Искључите га када га не користите, пре сервисирања и приликом замене прибора.
20. Очистите и сервисирајте усисивач одмах након сваке употребе како би остао у беспрекорном стању.
21. **ПАЖЉИВО ОДРЖАВАЈТЕ УСИСИВАЧ.** Редовно чистите усисивач за квалитетнији и безбеднији рад. Придржавајте се упутстава за замену прибора. Ручке морају бити суве, чисте и на њима не сме бити уља нити мазива.
22. **ПРОВЕРИТЕ ДА ЛИ ИМА ОШТЕЋЕНИХ ДЕЛОВА.** Пре следећег коришћења усисивача, штитник или неки други оштећени део треба детаљно да прегледате и да процените да ли ће исправно да ради и обавља своју функцију. Проверите усклађеност покретних делова, спојеве покретних делова, ломове делова, монтажу и све друге услове који могу да утичу на рад алата. Штитник или неки други оштећени део треба да поправи или замени овлашћени сервис осим ако није другачије наведено на неком другом месту у овом приручнику са упутствима. Неисправне прекидаче треба да замени овлашћени сервис. Немојте да користите усисивач ако не можете да га укључите и искључите помоћу прекидача.
23. Приликом сервисирања, машина ће бити растављена, очишћена и сервисирана, докле год је разумно примењиво, без ризика по сервисере и друге особе.
24. Произвођач или обучена особа треба да обави технички преглед машине барем једном годишње, а тај преглед треба да обухвата проверу постојања евентуалних оштећења на филтерима, заптивности машине и правилног функционисања контролног механизма.
25. Када спроводите сервис или поправку, све запрљане делове који се не могу очистити на задовољавајући начин треба да одложите у отпад. Сместите те делове у непропустљиве вреће у складу са важећим прописима о одлагању отпада.
26. **РЕЗЕРВНИ ДЕЛОВИ.** За сервисирање користите истоветне резервне делове.

27. **ЧУВАЈТЕ НА ПРИКЛАДНОМ МЕСТУ УСИСИВАЧ КОЈИ СЕ НЕ КОРИСТИ ОДРЕЂЕНИ ПЕРИОД.** Када се не користи, усисивач треба да се држи у затвореном.
28. Влажне филтере и унутрашњи део посуде за течност треба осушити пре складиштења.
29. Чувајте свој усисивач. Грубим рукавањем можете покварити и најотпорнији усисивач.
30. Немојте да покушавате да чистите спољни или унутрашњи простор у којем се налазе бензин, разређивач или хемијска средства за чишћење. Могу да се појаве пукотине и може доћи до губитка боје.
31. Немојте да користите усисивач у затвореном простору са запаљивим, експлозивним или токсичним испарењима од уљаних боја, разређивача за фарбу, бензина, неких супстанци за заштиту од мољаца, као ни у просторијама у којима је присутна запаљива прашина.
32. Немојте да користите овај или неки други уређај док сте под дејством наркотика или алкохола.
33. Основно безбедносно правило је да се користе заштитне наочаре или наочаре са бочним штитницима.
34. Користите маску у веома прашњавим просторијама.
35. Није предвиђено да овај уређај користе особе, у које спадају и деца, са умањеним физичким, чулним или менталним способностима, односно особе које немају одговарајуће искуство и знање.
36. Надгледајте децу како бисте били сигурни да се неће играти усисивачем.
37. Немојте да додирујете батерије и усисивач мокрим рукама.
38. Будите нарочито пажљиви када чистите док сте на степеницама.
39. Немојте да користите усисивач као столицу или подлогу за рад. Ако уређај падне, можете да се повредите.

Коришћење и одржавање алата са батеријом

1. Пуните батерију искључиво помоћу пуњача који је навео произвођач. Ако се пуњач који је намењен за одређену врсту батерије користи са другом батеријом, може да дође до опасности од пожара.
2. Електричне алате користите само са батеријама које су предвиђене за њих. Коришћење других врста батерија може да изазове ризик од повреде и пожара.
3. Када се батерија не користи, држите је даље од других металних предмета, попут спајалица, новчића, кључева, ексера, завртања и других малих металних предмета који могу да преспоје два прикључка. Кратак спој између прикључака батерије може да доведе до опекотина или пожара.
4. У случају злоупотребе батерије из ње може исцурити течност. У том случају, пазите да не дођете у додир с њом. Ако случајно дођете у додир с батеријом, исперите место додира водом. Ако течност доспе у очи, потражите и помоћ лекара. Течност која исцури из батерије може да изазове иритацију или опекотине.
5. Немојте да користите батерију или алат који су оштећени или модификовани. Оштећене или модификоване батерије могу испољити непредвидиво понашање које може довести до пожара, експлозије или ризика од задобијања повреда.
6. Немојте да излажете батерију или алат ватри или високој температури. Излагање ватри или температури изнад 130 °C може довести до експлозије.
7. Придржавајте се свих упутстава за пуњење и немојте да пуните батерију или алат изнад опсега температуре који је наведен у упутствима. Неисправно пуњење или пуњење на температурама изнад наведеног опсега може оштетити батерију и повећати ризик од пожара.

САЧУВАЈТЕ ОВО УПУТСТВО.

▲УПОЗОРЕЊЕ: НЕМОЈТЕ себи да дозволите да занемарите строга безбедносна правила која се односе на овај производ услед чишћења да сте производ добро упознали и стекли рутину у руковању њиме (услед честог коришћења). **НЕНАМЕНСКА УПОТРЕБА** или непоштовање безбедносних правила наведених у овом упутству могу довести до тешких телесних повреда.

Важна безбедносна упутства која се односе на уложак батерије

1. Пре употребе уложка батерије, прочитајте сва упутства и безбедносне ознаке на (1) пуњачу батерије, (2) батерији и (3) производу који користи батерију.
2. Не растављајте и не модификујте уложак батерије. Тиме можете да изазовете пожар, прекомерно загревање или експлозију.
3. Ако се време рада знатно скратило, одмах престаните са коришћењем. То може да доведе до ризика од прегревања, могућих опекотина, па чак и експлозије.
4. Ако електролит доспе у очи, исперите их чистом водом и одмах затражите помоћ лекара. То може да доведе до губитка вида.
5. Немојте да изазивате кратак спој уложка батерије:
 - (1) Немојте додиривати прикључке било којим проводним материјалом.
 - (2) Избегавајте складиштење уложка батерије у кутији са другим металним предметима као што ексери, новчићи итд.
 - (3) Немојте да излажете уложак батерије води или киши.
 Кратак спој батерије може да доведе до великог протока струје, прегревања, могућих опекотина, па чак и прегоривања.
6. Немојте да складиштите и користите алат и уложак батерије на местима где температура може да достигне или премаше 50 °C (122 °F).

7. Немојте да палите уложак батерије чак ни када је озбиљно оштећен или потпуно похабан. Уложак батерије може да експлодира у ватри.
8. Немојте да закивате, сечете, ломите, бацате или испуштате уложак батерије, или да њиме ударате по чврстој површини. На тај начин можете да изазовете пожар, прекомерно загревање или експлозију.
9. Немојте да користите оштећену батерију.
10. Садржане литијум-јонске батерије подлежу Закону о превозу опасних материја.
Приликом комерцијалног превоза, нпр. од стране трећих лица и превозника, мора се обратити посебна пажња на специјалне захтеве паковања и обележавања.
Приликом припреме материјала за превоз, потребно је саветовати се са стручњаком за опасне материје. Такође обратите пажњу на евентуалне даље националне прописе.
Омотајте траком или прекријте отворене контакте и запакујте батерију тако да се не може померати унутар паковања.
11. Када одлажете уложак батерије на отпад, извадите га из алата и одложите на безбедно место. Придржавајте се локалних прописа у вези са одлагањем батерије.
12. Батерије користите само са производима које је навела компанија Makita. Постављање батерије на производе који нису усаглашени може да доведе до пожара, прекомерне топлоте, експлозије или цурења електролита.
13. Ако се алат не користи током дужег периода, батерија мора да се извади из алата.
14. Током и након коришћења, уложак батерије може да акумулира толико топлоте да то може довести до опекотина, уобичајених и нискотемпературних. Пажљиво рукујте врућим улошцима батерије.
15. Не додирујте контакте алата одмах након коришћења јер су можда толико врући да могу да изазову опекотине.
16. Водите рачуна да се струготина, прашина или земља не заглаве у контактима, рупицама и жлебовима улошка батерије. То може проузроковати загревање, запаљивање, пуцање и неисправност алата или улошка батерије, што може да доведе до опекотина или телесних повреда.
17. Осим ако алат то не подржава, немојте да користите уложак батерије близу високонапонских разводних линија електричне струје. У супротном може доћи до квара или прегоривања алата или улошка батерије.
18. Држите батерију ван домашаја деце.

САЧУВАЈТЕ ОВО УПУТСТВО.

▲ПАЖЊА: Користите само оригиналне Makita батерије. Коришћење Makita батерија које нису оригиналне или батерија које су измењене може да доведе до пуцања батерије, које може да изазове пожар, телесне повреде или штету. То ће такође поништити гаранцију компаније Makita за Makita алат и пуњач.

Савети за максимално трајање батерије

1. Напуните уложак батерије пре него што се потпуно испразни. Сваки пут прекините рад са алатом и напуните уложак батерије када приметите да је снага алата слабија.
2. Никада немојте да поново пуните потпуно напуњени уложак батерије. Препуњавање скраћује радни век батерије.
3. Пуните уложак батерије на собној температури између 10°C и 40°C (између 50°F и 104°F). Сачекајте да се врући уложак батерије охлади пре пуњења.
4. Када не користите уложак батерије, извадите га из алата или пуњача.
5. Напуните уложак батерије ако га нећете користити дуже време (више од шест месеци).

Важна безбедносна упутства која се односе на бежичну јединицу

1. Никада не отварајте сами поклопац отвора када постављате бежичну јединицу.
2. Не растављајте и не модификујте бежичну јединицу.
3. Држите бежичну јединицу подаље од мале деце. Ако дође до случајног гутања јединице, одмах затражите лекарску помоћ.
4. Бежичну јединицу користите искључиво у комбинацији са Makita алатом.
5. Не излажите бежичну јединицу киши или влази.
6. Не користите бежичну јединицу на местима на којим температура премашује 50°C.
7. Не користите бежичну јединицу у близини медицинских инструмената, попут пејсмејкера.
8. Не користите бежичну јединицу у близини аутоматизованих уређаја. У супротном може да дође до квара или грешке аутоматизованог уређаја.
9. Не радите са бежичном јединицом на местима изложеним високим температурама или местима на којима могу да се јаве статички електрицитет или електрични шум.
10. Бежична јединица може да производи електромагнетна поља која нису штетна по корисника.
11. Бежична јединица је прецизни инструмент. Пазите да не испустите или не ударите бежичну јединицу.
12. Не додирујте контакте бежичне јединице голим рукама или металним предметима.
13. Обавезно извадите батерију из производа пре него што поставите бежичну јединицу.
14. Немојте отвараати поклопац отвора на местима на којима прашина и вода могу да доспеју у отвор. Увек одржавајте улаз отвора чистим.

15. Увек пазите да бежична јединица при уметању буде правилно окренута.
16. Не притискајте дугме за бежично активирање на бежичној јединици прејакно и/или предметом са оштром ивицом.
17. Обавезно вратите поклопац отвора пре почетка рада.
18. Не вадите бежичну јединицу из отвора док је алат под напоном. У супротном, може да дође до квара бежичне јединице.
19. Не скидајте налепницу са бежичне јединице.
20. Не стављајте налепнице на бежичну јединицу.
21. Не остављајте бежичну јединицу на местима на којима могу да се јаве статички електрицитет или електрични шум.
22. Не остављајте бежичну јединицу на месту изложеном великој топлоти, на пример у аутомобилу који стоји на сунцу.
23. Не остављајте бежичну јединицу на прашњавим местима или местима на којима може да се створи нагрizaјући гас.
24. Нагле промене температуре могу да изазову стварање росе на бежичној јединици. Не користите бежичну јединицу док роса потпуно не испари.
25. Бежична јединица се чисти пажљивим брисањем сувом, меком крпом. Не користите апотекарски бензин, разређивач, проводну маст и слична средства.
26. Бежична јединица се чува у добијеној кутији или амбалажи отпорној на статички електрицитет.
27. У отвор на алату не стављајте друге уређаје сем Makita бежичне јединице.
28. Не користите алат ако је поклопац отвора оштећен. Вода, прашина и прљавштина који уђу у отвор могу да изазову квар.
29. Не вуците и/или упредајте поклопац отвора више него што је неопходно. Вратите поклопац на алат ако спадне.
30. Замените поклопац отвора ако се изгуби или оштети.

САЧУВАЈТЕ ОВО УПУТСТВО.

ОПИС НАЧИНА ФУНКЦИОНИСАЊА

ПАЖЊА: Пре подешавања или провере функција уређаја, увек се уверите да сте искључили уређај и уклонили улошке батерија.

Постављање и уклањање улошка батерије

ПАЖЊА: Увек искључите алат пре постављања или уклањања улошка батерије.

ПАЖЊА: Држите чврсто усисивач и уложак батерије када постављате или уклањате уложак батерије. Ако усисивач и уложак батерије не будете држали чврсто, могу вам исклизнути из руку, оштетити се при паду и повредити вас.

ПАЖЊА: Водите рачуна да не укљештите прсте када отварате или затварате поклопац батерије. У супротном може да дође до опасних повреда.

Да бисте поставили уложак батерије, најпре откључајте браву, а затим отворите поклопац батерије. Затим уметните уложак батерије.

► **Слика1:** 1. Брава 2. Поклопац батерије

Поравнајте језичак на улошку батерије са жлебом на кућишту и гурните га на место. Гурните га до краја тако да легне на своје место и чује се тихо шкљоцање. Затим закључајте поклопац батерије.

► **Слика2:** 1. Уложак батерије 2. Дугме

Да бисте уклонили уложак батерије, извуците га из алата док клизањем померате дугме на предњој страни улошка.

ПАЖЊА: Увек гурните уложак батерије до краја. У супротном може случајно да испадне из усисивача и повреди вас или некога у близини.

ПАЖЊА: Немојте на силу да постављате уложак батерије. Ако уложак не можете лако да гурнете, то значи да га не постављате исправно.

НАПОМЕНА: Усисивач не ради са само једним улошком батерије.

Приказ преосталог капацитета батерије

Притисните дугме за проверу на улошку батерије да бисте приказали преостали капацитет батерије. Индикаторске лампиче ће се укључити на неколико секунди.

► **Слика3:** 1. Индикаторске лампиче 2. Дугме за проверу

Индикаторске лампице			Преостали капацитет
Светли	Искључено	Трепће	
			Од 75% до 100%
			Од 50% до 75%
			Од 25% до 50%
			Од 0% до 25%
			Напуните батерију.
			Могуће је да је батерија постала неисправна.

НАПОМЕНА: У зависности од услова коришћења и температуре околине, приказани капацитет може донекле да се разликује од стварног.

НАПОМЕНА: Прва (крајња лева) индикаторска лампица трепери када систем за заштиту батерије ради.

Индикатори батерија на контролној табли

Преостали капацитет батерије може да се очита на контролној табли у било ком тренутку. Притисните дугме за проверу и леви и десни индикатори ће у складу са тим приказати нивое напуњености батерија.

► **Слика4:** 1. Индикатор леве батерије 2. Индикатор десне батерије 3. Дугме за проверу

► **Слика5**

Статус индикатора батерије			Преостали капацитет батерије
Укључено	Искључено	Трепће	
			Од 50% до 100%
			Од 20% до 50%
			Од 0% до 20%
			Напуните батерију
			Батерија није постављена

НАПОМЕНА: Индикатор батерије ради док су две батерије уметнуте.

НАПОМЕНА: Индикатори батерије ће се такође активирати када се усисивач укључи.

Систем за заштиту уређаја / батерије

Овај уређај је опремљен системом за заштиту уређаја/батерије. Овај систем аутоматски прекида напајање мотора како би продужио век трајања уређаја и батерије. Уређај ће се аутоматски зауставити током рада ако он или батерија доспеју у неко од следећих стања:

Заштита од преоптерећења

Када се уређајем/батеријом рукује тако да се вуче превише струје, уређај аутоматски престаје са радом. У овој ситуацији, искључите уређај и престаните са употребом која је довела до његовог преоптерећења. Затим укључите уређај да бисте га поново покренули.

Заштита од прегревања

<input type="checkbox"/> Укључено	<input checked="" type="checkbox"/> Трепће

Када се уређај прегреје, аутоматски престаје са радом и трепере леви и десни индикатори батерија. У том случају, сачекајте да се уређај охлади и очистите филтере пре него што га поново укључите.

<input type="checkbox"/> Укључено	<input checked="" type="checkbox"/> Трепће

Када се батерија прегреје, уређај аутоматски престаје са радом и један од индикатора за прегрејану батерију трепери. У том случају, сачекајте да се батерија охлади пре него што поново укључите уређај.

Заштита од превеликог пражњења

Када се капацитет батерије смањи, уређај се аутоматски искључује. Ако уређај не ради када се притисне прекидач, уклоните батерије уз уређаја и напуните их.

Заштита од других узрока

Систем за заштиту је такође дизајниран за друге узроке коју могу да оштете уређај и омогућава му аутоматско заустављање. Обавите све следеће кораке да бисте отклонили узроке када се уређај привремено заустави или заустави током рада.

1. Искључите уређај, а затим га укључите да бисте га поново покренули.
2. Напуните батерије или их замените напуњеним батеријама.
3. Сачекајте да се уређај и батерије охладе.

Ако поновним успостављањем система за заштиту не долази до никаквих побољшања, обратите се локалном сервисном центру компаније Makita.

Функционисање прекидача

Укључивање усисивача

1. Окрените прекидач за стање приправности у положај „I“ (укључено) или „АУТО“ (укључено) како би усисивач био у стању приправности.
2. Притисните тастер за укључивање. За враћање у режим приправности, поново притисните тастер за укључивање.

Искључивање усисивача

Обавите један од следећих корака.

- Притисните дугме за укључивање да бисте поново подесили усисивач у режим приправности.
- Окрените прекидач за стање приправности у положај „O“ (искључено).

Подешавање снаге усисавања

Снага усисавања може да се прилагоди вашим потребама.

- Окрените дугме за подешавање снаге усисавања улево да бисте смањили снагу усисавања.
- Окрените дугме за подешавање снаге усисавања удесно да бисте повећали снагу усисавања.

Избор пречника црева

Окрените бројчаник за избор пречника црева на пречник црева који ћете користити.

НАПОМЕНА: Не окрећите бројчаник на размак између бројева. Увек окрећите бројчаник у складу са пречником црева.

- **Слика6:** 1. Прекидач за стање приправности 2. Дугме за подешавање снаге усисавања 3. Бројчаник за избор пречника црева 4. Дугме за укључивање

ОБАВЕШТЕЊЕ: Увек поставите прекидач за стање приправности у положај „O“ када дуже време не користите усисивач. Усисивач троши енергију у режиму приправности.

Звучни сигнал упозорења

Постоје две врсте звучних сигнала. Један је кратки звучни сигнал, а други је континуирани звучни сигнал.

- Када брзина протока ваздуха падне испод 20 м/с, усисивач емитује кратке звучне сигнале упозорења из безбедносних разлога. Када се огласи, проверите бројчаник за избор пречника црева или да ли снага усисавања није прениска. Ако се звучни сигнали и даље емитују, обавите одржавање или се обратите локалном сервисном центру.
- Када се резервоар напуни течношћу, усисивач емитује континуиране звучне сигнале упозорења и аутоматски се зауставља. Када се усисивач заустави, искључите га и испразните резервоар.

Аутоматско усисавање се прекида током мокрог усисавања

▲УПОЗОРЕЊЕ: Немојте да усисавате пену или течност са сапуницом. У супротном, пена може почети да излази кроз отвор за ваздух. Ако се усисивач и даље користи у оваквим условима, може доћи до струјног удара и квара на усисивачу.

Усисивач поседује механизам који спречава воду да продре у мотор када се усисава већа количина воде. Када се резервоар напуни течношћу, усисивач емитује континуиране звучне сигнале упозорења и аутоматски се зауставља. Када се усисивач заустави, искључите га и испразните резервоар.

Систем за чишћење филтера

Овај уређај има уграђен систем за чишћење филтера. Током коришћења уређаја, систем за чишћење филтера аутоматски чисти филтере како би спречио смањење снаге усисавања услед зачепљења филтера.

Ако уређај усисава велику количину прашине одједном, снага усисавања може да се смањи. У том случају се препоручује ручно чишћење филтера.

1. Искључите уређај.
 2. Подесите снагу усисавања на максимум, а затим дланом затворите отвор усисног црева.
 3. Укључите уређај и користите га приближно 15 секунди са затвореним отвором усисног црева.
- **Слика7:** 1. Отвор усисног црева

НАПОМЕНА: Запремина ваздуха може да се промени док је систем за чишћење филтера активан, али није у квару.

Испуштање воде

Када је резервоар пун течности, искључите усисивач и отворите поклопац за испуштање воде како бисте испразнили резервоар.

- **Слика8:** 1. Поклопац за испуштање воде

Поклопац

Поклопац се испоручује уз уређај. Постављање поклопаца на прикључак за црево спречава да усисана прашина изађе из усисивача.

- **Слика9:** 1. Поклопац

Закључавање и откључавање точића

Предњи точићи могу да се закључају помоћу граничника како би усисивач стајао на месту. Спустите руком полуку граничника да бисте закључали точић и подигните је да бисте га отпустили.

- **Слика10:** 1. Точић 2. Полука граничника 3. ОТКЉУЧАНО 4. ЗАКЉУЧАНО

НАПОМЕНА: Пре померања усисивача проверите да ли је точић откључан. Ако усисивач будете померали док је точић закључан, можете да га оштетите.

Ручка за ношење

▲ ПАЖЊА: Подижите и носите уређај уз дужну пажњу. У супротном може доћи до телесне повреде или оштећења уређаја.

Приликом ношења усисивача, држите га за ручку на главној јединици. Ручка се спушта на главну јединицу када се не користи.

► **Слика 11**

Ако је самостално преношење уређаја отежано, потребно је да га пренесе две особе као што је приказано на слици.

► **Слика 12**

► **Слика 13**

СКЛАПАЊЕ

▲ УПОЗОРЕЊЕ: У овој јединици се можда налази опасна прашина. Приликом замене елемента филтера и вреће за прашину или приликом одржавања, увек користите Р2 респиратор.

▲ ПАЖЊА: Увек проверите да ли је уређај искључен и да ли су улошци батерија уклоњени пре обављања неког рада на уређају.

Постављање филтер кесе и одлагање на отпад

▲ УПОЗОРЕЊЕ: Увек користите Р2 респиратор.

▲ УПОЗОРЕЊЕ: Пре употребе филтер кесе, уверите се да се јединица филтера користи са њом. Ако не будете користили јединицу филтера, може се чути необичан звук, уређај се може прегрејати и може доћи до пожара.

▲ УПОЗОРЕЊЕ: Када користите уређај у класи прашине М, увек користите филтер кесу.

ОБАВЕШТЕЊЕ: Никада немојте усисавати воду, неку другу течност или мокру прашину када користите филтер кесу. У супротном, филтер кеса може да се распадне.

1. Отпустите куке за закључавање и подигните главну јединицу из резервоара.

► **Слика 14:** 1. Кука за закључавање

2. Размотајте филтер кесу.

3. Поравнајте отвор филтер кесе са улазом за прашину на резервоару.

4. Гурните картонски део филтер кесе у алат тако да буде смештен иза испупчења за задржавање.

► **Слика 15:** 1. Филтер кеса 2. Картонски отвор 3. Држач филтер кесе 4. Улаз за прашину 5. Ивица

Када одлажете филтер кесу на отпад, повуците ивицу на устима филтер кесе тако да се уста затворе папиром.

Постављање полиетиленске кесе

Опциони додатни прибор

Поставите полиетиленску кесу преко резервоара и гурните једну страну горње ивице кесе на њен отворени крај између плоче држача и предњег зида резервоара.

Затим раширите остале горње ивице кесе према горњим ивицама резервоара.

Уз филтер кесу може да се користи полиетиленска кеса.

► **Слика 16:** 1. Плоча држача 2. Предњи зид резервоара 3. Полиетиленска кеса

НАПОМЕНА: Може се користити полиетиленска кеса која је доступна на тржишту. Дебљина је преко 0,04 мм, а препоручује се обим преко 2.000 мм.

НАПОМЕНА: Превише прашице ће лако поцепати полиетиленску кесу, због тога немојте препунити кесу. Одлагање тешке кесе на отпад може да представи оптерећење за људско тело.

Пражњење резервоара са полиетиленском кесом

▲ УПОЗОРЕЊЕ: Пре него што испразните резервоар, обавезно проверите да ли је усисивач искључен, а улошци батерија извађени из алата. У супротном може да дође до струјног удара и озбиљних телесних повреда.

ОБАВЕШТЕЊЕ: Резервоар празните најмање једном дневно, иако то зависи од количине усисане прашице у резервоару. У супротном ће се снага усисавања смањити и може доћи до квара мотора.

ОБАВЕШТЕЊЕ: Немојте хватати куке за закључавање приликом пражњења резервоара. Хватање кука за закључавање може да доведе до ломљења.

1. Отпустите куке за закључавање и подигните главну јединицу из резервоара.

2. Уклоните полиетиленску кесу из резервоара и руком затворите отвор кесе.

► **Слика 17:** 1. Полиетиленска кеса 2. Резервоар

НАПОМЕНА: Пажљиво извадите полиетиленску кесу из резервоара да је не бисте огревали и покидали око ивица унутар резервоара.

НАПОМЕНА: Испразните полиетиленску кесу пре него што се она напуни. Превелика количина прашице у резервоару може да доведе до цепања полиетиленске кесе.

Постављање црева

ОБАВЕШТЕЊЕ: Немојте на силу да савијате црево нити да газите по њему. Немојте да померате усисивач повлачењем црева. Прекомерно савијање, гњечење и повлачење могу оштетити или деформисати црево.

ОБАВЕШТЕЊЕ: Када усисавате велике количине отпада, попут струготине од рендисалке, бетонску прашину и слично, користите црево са унутрашњим пречником од 38 мм (опционални додатни прибор). Ако будете користили црево са унутрашњим пречником од 28 мм (опционални прибор), црево може да се запуши и оштети.

ОБАВЕШТЕЊЕ: Увек поставите поклопац на прикључак за монтирање кад год уклањате црево из усисивача.

Повезивање са усисивачем

Уклоните поклопац са прикључка за монтирање. Поклопац може да се одложи на задњој страни усисивача док је црево повезано са усисивачем.

► **Слика18:** 1. Поклопац

Уметните крај црева у улаз за прашину (улазни део црева) на усисивачу, а затим га окрените удесно док не налегне на своје место.

► **Слика19:** 1. Црево 2. Улаз за прашину (улазни део црева)

Повезивање са вашим радним алатима (у зависности од земље)

Када повежете усисивач са свим доступним радним алатима који су компатибилни са усисивачем, он служи као избацивач прашине за ваше електричне алате.

Изаберите један од предњих прикључака или спојева (опциони прибор) који најбоље одговара вашем моделу алата. Поставите прикључке или спојеве, ако је то потребно, између предњег краја црева усисивача и отвора за избацивање прашине на алату.

► **Слика20:** 1. Предњи прикључци и спојеви
2. Црево усисивача 3. Електрични алат
4. Усисивач

Постављање или уклањање додатака усисивача

ПАЖЊА: Након постављања додатка, уверите се да је постављен чврсто. Ако додатка није добро постављен, може да спадне и изазове телесне повреде.

Када користите додаток без функције закључавања

Опциони додатни прибор

Уметните додаток у улаз за усисавање на усисивачу тако што ћете га гурнути и заврнути руком на своје место.

Након употребе, одвртите руком и извучите додаток из улаза за усисавање.

► **Слика21**

Постављање МАКРАС футроле

Опциони додатни прибор

ПАЖЊА: Немојте стајати или седети на врху уређаја. Може пасти због нестабилности.

ПАЖЊА: Будите пажљиви са радом када постављате МАКРАС футролу. У супротном може доћи до телесне повреде или оштећења уређаја.

ПАЖЊА: Када поставите МАКРАС на уређај, немојте подизати уређај помоћу ручке на МАКРАС футроли.

ПАЖЊА: Приликом померања уређаја на који сте поставили МАКРАС, немојте притискати МАКРАС, већ кућиште уређаја. Ако притискате МАКРАС, можете сломити резе и испустити МАКРАС, што може довести до телесне повреде.

МАКРАС футроле за складиштење, које се могу повезати и сложити, могу да се поставе на усисивач. Футроле су доступне у многим величинама и стиловима у складу са вашим жељама.

1. Расколите резе на горњој површини усисивача.

► **Слика22:** 1. Реза

2. Поставите МАКРАС футролу на усисивач и причврстите је резама.

► **Слика23:** 1. Реза 2. МАКРАС

Максимална висина и тежина за постављање МАКРАС футроле су 315 мм и 20 кг.

► **Слика24**

РАД

УПОЗОРЕЊЕ: Увек користите Р2 респиратор.

ПАЖЊА: Ако пена или течност изађе из алата, одмах га искључите. Ако усисивач наставите да користите у оваквим условима, може доћи до струјног удара и квара на усисивачу.

ФУНКЦИЈА БЕЖИЧНОГ АКТИВИРАЊА

Опциони додатни прибор

Шта све можете да радите са функцијом бежичног активирања

Функција бежичног активирања омогућава уредан и удобан рад. Када повежете подржани алат са усисивачем, можете аутоматски да покренете усисивач притискањем прекидача на алату.

► **Слика25**

ОБАВЕШТЕЊЕ: Обавезно се придржавајте упутства за употребу алата приликом коришћења усисивача са функцијом бежичног активирања.

ОБАВЕШТЕЊЕ: Не растављајте и не модификујте бежичну јединицу.

ОБАВЕШТЕЊЕ: Да бисте спречили улазак прашине у отвор бежичне јединице, увек добро затворите поклопац током рада и складиштења.

ОБАВЕШТЕЊЕ: Не притискајте дугме за бежично активирање прејакo и/или предметом са оштром ивицом.

НАПОМЕНА: За коришћење бежичног активирања, алат компаније Makita мора бити опремљен бежичном јединицом.

НАПОМЕНА: Пре првог коришћења функције бежичног активирања са сваком појединачном алатом, треба регистровати алат. Када се обави регистрација алата, није потребна поновна регистрација, осим ако се регистрација откаже.

НАПОМЕНА: Пре регистрације се уверите да ли је бежична јединица правилно уметнута у алат.

НАПОМЕНА: Једна бежична јединица може да региструје до 10 веза са другим бежичним јединицама. Ако је на бежичну јединицу регистровано више од 10 других бежичних јединица, најраније регистрована јединица се аутоматски брише.

НАПОМЕНА: Положај дугмета за бежично активирање разликује се у зависности од алата.

НАПОМЕНА: Усисивач се такође покреће притиском на дугме за укључивање када је прекидач за стање приправности постављен на „АУТО“. Међутим, дугме за укључивање се неће покренути када се користи функција бежичног активирања.

Постављање бежичне јединице

▲ УПОЗОРЕЊЕ: Отворите поклопац само када постављате бежичну јединицу по први пут. Никада не отварајте поклопац након постављања.

▲ ПАЖЊА: Пре постављања бежичне јединице, ставите усисивач на равну и стабилну површину.

ОБАВЕШТЕЊЕ: Очистите праšину и прљавштину са усисивача пре постављања бежичне јединице. Прашина и прљавштину могу да изазову квар ако доспеју у отвор за бежичну јединицу.

ОБАВЕШТЕЊЕ: Да не би дошло до сметњи због статичког електрицитета, додирните материјал кроз који се он празни, попут неког металног дела, пре него што узмете бежичну јединицу.

ОБАВЕШТЕЊЕ: При постављању бежичне јединице строго водите рачуна да бежична јединица буде окренута на одговарајући начин и да је поклопац потпуно затворен.

1. Отпустите завртањ да бисте отворили поклопац на усисивачу као што је приказано на слици.

► **Слика26:** 1. Поклопац 2. Завртањ

2. Поставите бежичну јединицу у отвор.

При постављању бежичне јединице поравнајте избочине са удубљењима у отвору.

► **Слика27:** 1. Бежична јединица 2. Избочина 3. Поклопац 4. Места удубљења

3. Затегните завртањ до краја да бисте затворили поклопац.

Регистрација алата за усисивач

НАПОМЕНА: За регистрацију алата је потребан Makita алат који подржава функцију бежичног активирања.

НАПОМЕНА: Довршите постављање бежичне јединице пре почетка регистрације алата.

НАПОМЕНА: Током регистрације алата не дирајте окидач прекидача на алату и не укључујте прекидач на усисивачу.

НАПОМЕНА: Погледајте и приручник са упутствима за алат.

Ако желите да се усисивач активира када се притисне прекидач на алату, прво довршите регистрацију алата.

1. Поставите бежичне јединице у усисивач и алат.

2. Поставите батерије у усисивач и алат.

3. Поставите прекидач за стање приправности на усисивачу на „АУТО“.

► **Слика28:** 1. Прекидач за стање приправности

4. Притисните и 3 секунде држите дугме за бежично активирање на усисивачу док лампица за бежично активирање не почне да трепти зелено. А затим на исти начин притисните дугме за бежично активирање на алату.

► **Слика29:** 1. Дугме за бежично активирање 2. Лампица за бежично активирање

Ако се усисивач и алат успешно повежу, лампица за бежично активирање ће сијати зелено 2 секунде, а затим почети да трепти плаво.

НАПОМЕНА: Лампице за бежично активирање ће престати да сијају зелено након 20 секунди. Притисните дугме за бежично активирање на алату када лампица за бежично активирање на усисивачу почне да трепти. Ако лампица за бежично активирање не почне да трепти зелено, једном кратко притисните дугме за бежично активирање, па га опет држите.

НАПОМЕНА: Ако региструјете више алата на усисивачу, регистрације вршите једну по једну.

Покретање функције бежичног активирања

НАПОМЕНА: Довршите регистрацију алата за усисивач за бежично покретање.

НАПОМЕНА: Увек држите усисивач тако да можете да видите статус лампице за бежично активирање.

НАПОМЕНА: Погледајте и приручник са упутствима за алат.

Након регистровања алата на усисивачу, усисивач ће се аутоматски укључивати када се притисне прекидач на алату.

1. Поставите бежичне јединице у усисивач и алат.
2. Поставите батерије у усисивач и алат.
3. Повежите црево усисивача на алат.

► **Слика30**

4. Поставите прекидач за стање приправности на усисивачу на „АУТО“.

► **Слика31:** 1. Прекидач за стање приправности

5. Накратко притисните дугме за бежично активирање на алату. Лампица за бежично активирање ће почети да сија плаво.

► **Слика32:** 1. Дугме за бежично активирање
2. Лампица за бежично активирање

6. Укључите алат. Проверите да ли чистач ради док је алат укључен.

⚠ ПАЖЊА: Увек проверите да ли функција бежичног активирања ради пре почетка коришћења алата.

Да бисте зауставили бежично активирање, притисните дугме за бежично активирање на алату или подесите прекидач за стање приправности на усисивачу у положај „I“ или „O“.

НАПОМЕНА: Лампица за бежично активирање на алату ће престати да трепти плаво ако нема активности у року од 2 сата. У том случају, поставите прекидач за стање приправности у положај „АУТО“ и поново притисните дугме за бежично активирање на алату.

НАПОМЕНА: Усисивач ће се покретати/заустављати уз кашњење. Јавља се кашњење када усисивач детектује притискање прекидача на алату.

НАПОМЕНА: Домет бежичне јединице може да варира у зависности од локације и услова средине.

НАПОМЕНА: Када су два алата или више њих регистровано на један чистач, он ће можда почети да ради и када не укључите алат јер неки други корисник користи функцију бежичног активирања.

Отказивање регистрације алата за усисивач

Обавите следећу процедуру ако желите да откажете регистрацију алата за усисивач.

1. Поставите бежичне јединице у усисивач.
2. Поставите батерије у усисивач и алат.
3. Поставите прекидач за стање приправности на усисивачу на „АУТО“.

► **Слика33:** 1. Прекидач за стање приправности

4. Притисните и 6 секунди држите дугме за бежично активирање на усисивачу. Лампица за бежично активирање ће трептати зелено, па почети да сија црвено. Затим на исти начин притисните дугме за бежично активирање на алату.

► **Слика34:** 1. Дугме за бежично активирање
2. Лампица за бежично активирање

Ако отказивање успе, лампица за бежично активирање ће сијати црвено 2 секунде, а затим почети да трепти плаво.

НАПОМЕНА: Лампице за бежично активирање ће престати да сијају црвено након 20 секунди. Притисните дугме за бежично активирање на алату када лампица за бежично активирање на усисивачу почне да трепти. Ако лампица за бежично активирање не почне да трепти црвено, једном кратко притисните дугме за бежично активирање, па га опет држите.

Брисање свих регистрација алата

Можете да избришете све регистрације алата са усисивача на следећи начин.

- **Слика35:** 1. Прекидач за стање приправности
2. Дугме за бежично активирање
3. Лампица за бежично активирање

1. Поставите бежичну јединицу у усисивач.
2. Поставите батерије у усисивач.
3. Поставите прекидач за стање приправности на „АУТО“.
4. Притисните дугме за бежично активирање и држите га притиснутим око 6 секунди све док лампица за бежично активирање не засветли црвено (око два пута у секунди).
5. Када лампица за бежично активирање почне да трепће црвено, подигните прст са дугмета за бежично активирање након 6 секунди.
6. Када лампица за бежично активирање почне брже да трепће (око 5 пута у секунди) црвено, подигните прст са дугмета за бежично активирање. Када лампица за бежично активирање засветли црвено а онда се искључи, све регистрације алата ће бити избрисане.

НАПОМЕНА: Ако лампица за бежично активирање не засветли црвено, накратко притисните дугме за бежично активирање и покушајте поново.

Опис статуса лампице за бежично активирање

- **Слика36:** 1. Дугме за бежично активирање
2. Лампица за бежично активирање

Лампица за бежично активирање приказује статус функције бежичног активирања. У табели испод су наведена значења статуса лампице.

Статус	Лампица за бежично активирање			Трајање (приближно)	Опис
	Боја	<input type="checkbox"/> Сија	<input type="checkbox"/> Трепће		
Мировање	Плаво	<input checked="" type="checkbox"/>		Усисивач: непрекидно Алат: 2 сата	Регистрација алата или функција бежичног активирања су доступне. Лампица на усисивачу трепће када је прекидач за стање приправности подешен на „АУТО“. Лампица на алату трепће када је притиснуто дугме за бежично активирање. Лампица на алату ће се аутоматски искључити ако нема активности у року од 2 сата.
		<input type="checkbox"/>		Када алат не ради.	Усисивач може бежично да се активира и алат ради.
Регистрација алата	Зелено	<input checked="" type="checkbox"/>		20 секунди	Спреман за регистрацију алата. Претраживање алата за регистровање.
		<input type="checkbox"/>		2 секунди	Регистрација алата је завршена. Лампица за бежично активирање ће почети да трепти плаво.
Отказивање/ брисање регистрације алата	Црвено	<input checked="" type="checkbox"/>		20 секунди (полако: 2 пута у секунди)	Спреман за отказивање регистрације алата. Претраживање алата за отказивање.
		<input checked="" type="checkbox"/>		Када је притиснуто дугме за бежично активирање.	Спреман за брисање свих регистрација алата.
		<input type="checkbox"/>		2 секунди	Регистрација алата је отказана/избрисана. Лампица за бежично активирање ће почети да трепти плаво.
Друго	Црвено	<input type="checkbox"/>		3 секунди	Бежична јединица је под напоном, а функција бежичног активирања се покреће.
	Искључено	–		–	Прекидач за стање приправности није постављен на „АУТО“.

Решавање проблема са функцијом бежичног активирање

Пре него што затражите поправку, најпре сами извршите преглед. Уколико наиђете на проблем који није објашњен у упутству, не покушавајте да расклопите алат. Уместо тога тражите поправке од овлашћених сервисних центара Makita и увек користите оригиналне Makita резервне делове приликом поправки.

Неисправно стање	Вероватан узрок (квар)	Отклањање квара
Лампича за бежично активирање не сија / не трепти.	Бежична јединица још није постављена у усисивач и/или алат. Бежична јединица је неправилно постављена у усисивач и/или алат.	Правилно поставите бежичну јединицу.
	Дугме за бежично активирање на алату је притиснуто.	Накратко притисните дугме за бежично активирање на алату.
	Прекидач за стање приправности на усисивачу није постављен на „AUTO“.	Поставите прекидач за стање приправности на усисивачу на „AUTO“.
	Нема напајања струјом	Обезбедите напајање алата и усисивача струјом.
Није могуће довршити регистрацију алата / отказивање регистрације алата.	Бежична јединица није постављена у усисивач и/или алат. Бежична јединица није правилно постављена у усисивач и/или алат.	Правилно поставите бежичну јединицу.
	Прекидач за стање приправности на усисивачу није постављен на „AUTO“.	Поставите прекидач за стање приправности на усисивачу на „AUTO“.
	Нема напајања струјом	Обезбедите напајање алата и усисивача струјом.
	Неправилан рад	Накратко притисните дугме за бежично активирање и извршите регистрацију/отказивање алата.
	Алат и усисивач су превише међусобно удаљени (ван домета).	Приближите алат и усисивач. Максималан домет износи око 10 м, али може да варира у зависности од услова.
	Пре довршавања/отказивања регистрације алата; - прекидач на алату је укључен; - дугме за напајање на чистачу је укључено.	Накратко притисните дугме за бежично активирање и извршите регистрацију/отказивање алата.
	Процедура регистрације алата за алат или усисивач није довршена.	Обавите процедуре регистрације за алат и усисивач у исто време.
	Радио-сметње од других апарата који одају радио-таласе високог интензитета.	Држите алат и усисивач подаље од апарата попут Wi-Fi уређаја и микроталасних пећница.
Усисивач се не активира кад се притисне прекидач на алату.	Бежична јединица још није постављена у усисивач и/или алат. Бежична јединица је неправилно постављена у усисивач и/или алат.	Правилно поставите бежичну јединицу.
	Дугме за бежично активирање на алату је притиснуто.	Накратко притисните дугме за бежично активирање и сачекајте да лампича за бежично активирање почне да трепти плаво.
	Прекидач за стање приправности на усисивачу није постављен на „AUTO“.	Поставите прекидач за стање приправности на усисивачу на „AUTO“.
	Више од 10 алата је регистровано на усисивачу.	Поновите регистрацију алата. Ако је на усисивач регистровано више од 10 алата, најраније регистровани алат ће аутоматски бити избрисан.
	Усисивач је обрисао све регистроване алате.	Поновите регистрацију алата.
	Нема напајања струјом	Обезбедите напајање алата и усисивача струјом.
	Алат и усисивач су превише међусобно удаљени (ван домета).	Приближите алат и усисивач. Максималан домет износи око 10 м, али може да варира у зависности од услова.
	Радио-сметње од других апарата који одају радио-таласе високог интензитета.	Држите алат и усисивач подаље од апарата попут Wi-Fi уређаја и микроталасних пећница.
Чистач ради док алат није укључен.	Други корисници користе функцију бежичног активирања усисивача на својим алатима.	Искључите дугме за бежично активирање на другим алатима или откажите регистрацију других алата.

Неисправно стање	Вероватан узрок (квар)	Отклањање квара
Није могуће избрисати све регистрације алата на усисивачу.	Притискање дугмета за бежично активирање на алату.	Притисните дугме за бежично активирање на усисивачу да бисте избрисали све регистрације алата.
	Прекидач за стање приправности на усисивачу није постављен на „АУТО“.	Поставите прекидач за стање приправности на усисивачу на „АУТО“.
	Дугме за бежично активирање није исправно притиснуто.	Држите притиснутим дугме за бежично активирање више од 6 секунди, а затим га отпустите када лампица за бежично активирање почне да трепће црвено. Поново притисните дугме за бежично активирање и држите га притиснутим око 6 секунди све док дугме за бежично активирање не почне да трепће црвено, а затим отпустите дугме.

ОДРЖАВАЊЕ

▲ УПОЗОРЕЊЕ: Увек користите Р2 респиратор током одржавања.

▲ ПАЖЊА: Пре него што почнете са прегледом или одржавањем, уверите се да је уређај искључен и да су улошци батерија уклоњени.

▲ ПАЖЊА: Обучена особа мора да обави технички преглед најмање једном годишње, укључујући преглед филтера, заптивености и контролног механизма.

▲ ПАЖЊА: Током одржавања, сви запрљани делови који се не могу очистити на задовољавајући начин морају се одложити на отпад. Такви делову морају да се одложе на отпад у непропустљиве вреће у складу са прописима у вашој земљи.

▲ ПАЖЊА: Након рада у опасном подручју, спољашњост алата мора да се деконтаминира усисавањем и обрише или третира заптивним средством пре него што изнесете алат из опасног подручја. Сви делови алата морају се сматрати контаминираним када се уклоне из опасног подручја и морају се предузети одговарајуће мере ради спречавања расипања прашине.

▲ ПАЖЊА: Промените филтере када су зачепљени прашином или приметите да је учинак усисивача опао.

▲ ПАЖЊА: Повремено проверавајте филтере. Ако дође до цепања филтера, одмах их замените.

ОБАВЕШТЕЊЕ: Никад немојте да користите нафту, бензин, разређивач, алкохол и слична средства. Може доћи до губитка боје, деформације или оштећења.

БЕЗБЕДАН и ПОУЗДАН рад алата гарантујемо само ако поправке, свако друго одржавање или подешавање, препустите овлашћеном сервису компаније Makita или фабричком сервису, уз употребу оригиналних резервних делова компаније Makita.

Уклањање јединице филтера

▲ ПАЖЊА: Сачекајте око 5 минута да се прашина у резервоару у потпуности слегне.

▲ ПАЖЊА: Пазите да прашина не уђе у поклопац резервоара када уклањате јединицу филтера.

Јединица филтера је причвршћена на главну јединицу. Састоји се од горње плоче, предфилтера, овлаживача и филтера за прашину.

1. Отпустите кукe за закључавање и подигните главну јединицу из резервоара.
2. Уклоните јединицу филтера са главне јединице као што је приказано на слици.

► **Слика37:** 1. Реза 2. Јединица филтера

Уклањање филтера за прашину и предфилтера

Подигните дугме и уклоните филтере са горње плоче.

► **Слика38:** 1. Горња плоча 2. Филтери 3. Дугме

Да бисте спречили да прашина лебди у ваздуху, пожељно је да уклоните филтере из полиетиленске кесе.

Када носите јединицу филтера ради чишћења, чврсто завежите полиетиленску кесу.

► **Слика39:** 1. Јединица филтера
2. Полиетиленска кеса

► **Слика40:** 1. Горња плоча 2. Филтери
3. Полиетиленска кеса

Чишћење филтера за прашину, предфилтера и овлаживача

С времена на време чистите филтере и овлаживач. Зачепљени филтери и овлаживач могу довести до лошег учинка усисавања.

Редовно чистите нагомилану прашину са филтера и овлаживача.

Повремено оперите филтер за прашину, предфилтер и овлаживач водом, исперите их и добро осушите у хладовини пре употребе. Никада их немојте прати у машини за веш.

► **Слика41**

НАПОМЕНА: Немојте да трљате и гребете филтер за прашину, предфилтер или овлаживач чврстим предметима као што су четка и лопатица.

НАПОМЕНА: Филтери се временом хабају. Препоручује се да имате замену за њих.

Постављање филтера за прашину и предфилтера

ОБАВЕШТЕЊЕ: Филтер за прашину и предфилтер могу да покупе и суву и мокру прашину. Уверите се да се сензори нивоа воде исправно активирају како бисте спречили ломљење филтера за прашину.

Закачите ивице јединице филтера за горњу плочу, а затим спустите дугме.

► **Слика42:** 1. Ивица 2. Дугме

ОБАВЕШТЕЊЕ: Пре употребе филтера за прашину постарајте се да се предфилтер и овлаживач увек користе заједно. Није дозвољено постављање само филтера за прашину.

Склапање филтера

Када добијете филтере засебно, склопите их као што је приказано на слици.

► **Слика43:** 1. Филтер за прашину 2. Овлаживач 3. Предфилтер

Постављање јединице филтера

Када поставите филтере на горњу плочу, закачите отворе јединице филтера за делове унутрашњег поклопаца у облику U. Затим закључајте резу као што је приказано на слици.

► **Слика44:** 1. Део у облику U 2. Отвор 3. Реза

Постављање филтера за воду

Опциони додатни прибор

ОБАВЕШТЕЊЕ: Да бисте сакупили мокру прашину, проверите да ли се сензори нивоа воде исправно активирају.

ОБАВЕШТЕЊЕ: Немојте користити предфилтер и овлаживач када користите филтер за воду.

Ако желите да прикупљате само воду или мокру прашину, филтер за воду је погоднији од филтера за прашину и предфилтера.

Када постављате филтер за воду, поставите га на горњу плочу исто као и филтер за прашину и предфилтер.

► **Слика45**

НАПОМЕНА: Препоручује се коришћење филтера за воду приликом скупљања велике количине воде више пута узастопно. У супротном, ако користите филтер за прашину и предфилтер, може бити смањена способност усисавања.

Чишћење сензора нивоа воде

Сензори нивоа воде детектују течност када се резервоар напуни течношћу. С времена на време, очистите сензоре нивоа воде меком крпом када мењате филтере.

► **Слика46:** 1. Сензор нивоа воде

Складиштење прибора

Прибор и додаци који се не користе, као што су млазнице, цеви и поклопац могу да се одложе на куки на задњем делу усисивача.

► **Слика47:** 1. Прибор и додаци који се не користе 2. Поклопац

Цеви (са постављеним опционим граничником) могу да се поставе у држач цеви када усисивач не користите кратко време.

► **Слика48:** 1. Граничник (опциони прибор) 2. Држач цеви

Црево може да се увије у велике петље и одложи око кућишта или ручке усисивача. Спојите оба краја да бисте формирали петље и закачите петље на подигнуту ручку. Алтернативно можете да поставите његов основни крај у улазни део црева и закачите петље за вишеструку куку тако да лабави крај буде везан.

► **Слика49**

► **Слика50**

ОПЦИОНИ ПРИБОР

⚠ ПАЖЊА: Ова опрема и прибор су предвиђени за употребу са алатом Makita описаним у овом упутству за употребу. Употреба друге опреме и прибора може да доведе до повреда. Користите делове прибора или опрему искључиво за предвиђену намену.

Да бисте добили више детаља у вези са овим прибором, обратите се локалном сервисном центру компаније Makita.

- Црево
- Предњи прикључци (22, 24, 38)
- Права цев
- Угаона цев
- Округла четка
- Филтер за прашину M, H (HEPA)
- Овлаживач
- Предфилтер
- Филтер за воду
- Склоп млазница
- Савијена цев
- Полиетиленска кеса
- Филтер кеса
- Поклопац
- Makita оригинална батерија и пуњач
- Бежична јединица
- МАКРАС

НАПОМЕНА: Поједине ставке на листи могу бити укључене у садржај паковања алата као стандардна опрема. Оне се могу разликовати од земље до земље.

AVERTIZARE

- Acest aparat nu este destinat utilizării de către persoane, inclusiv copii, cu capacități fizice, senzoriale sau mentale reduse sau cu lipsă de experiență și cunoștințe.
- Copiii trebuie supravegheați pentru a vă asigura că nu se joacă cu aspiratorul.
- Consultați capitolul „SPECIFICAȚII” pentru referința tipului de acumulator.
- Consultați secțiunea „Instalarea sau scoaterea cartușului acumulatorului” pentru modul de scoatere sau de instalare a acumulatorului.
- Atunci când eliminați la deșeuri cartușul acumulatorului, scoateți-l din mașină și eliminați-l într-un loc sigur. Respectați normele dumneavoastră locale privind eliminarea la deșeuri a acumulatorului.
- Dacă mașina nu este utilizată o perioadă lungă de timp, acumulatorul trebuie scos din aceasta.
- Nu scurtcircuitați cartușul acumulatorului.
- Consultați capitolul „ÎNTREȚINERE” pentru detaliile necesare privind precauțiile în timpul lucrărilor de întreținere efectuate de utilizator.

SPECIFICAȚII

Model:		VC006GM
Volum maxim de aer la capătul furtunului	Cu furtun BL4050F, ø28 mm x3,5 m	2,0 m ³ /min
	Cu furtun BL4050F, ø38 mm x 2,5 m	3,7 m ³ /min
Volum maxim de aer la turbină (cu BL4050F)		4,9 m ³ /min
Aspirare (cu BL4050F)		18 kPa
Capacitate recuperabilă	Praf	40 L
	Apă	30 L
Dimensiuni (L x l x H)		586 mm x 385 mm x 598 mm
Tensiune nominală		Max. 72 V - 80 V cc.
Greutate netă		18,4 - 20,8 kg
Grad de protecție		IPX4

- Datorită programului nostru continuu de cercetare și dezvoltare, specificațiile pot fi modificate fără o notificare prealabilă.
- Specificațiile pot varia în funcție de țară.
- Greutatea nu include accesoriile, ci cartușul (cartușele) acumulatorului. Greutatea combinată (cea mai mică și cea mai mare) a aparatului și a cartușului (cartușelor) acumulatorului este prezentată în tabel.

Cartușul acumulatorului și încărcătorul aplicabile

Cartușul acumulatorului	BL4020 / BL4025 / BL4040* / BL4050F* / BL4080F* * : Acumulator recomandat
Încărcător	DC40RA / DC40RB / DC40RC

- Este posibil ca unele cartușe ale acumulatorilor și încărcătoare menționate mai sus să nu fie disponibile în funcție de regiunea dvs. de reședință.

⚠️ AVERTIZARE: Utilizați numai cartușele de acumulator și încărcătoarele enumerate mai sus. Utilizarea oricărui altor cartușe de acumulator și încărcătoare poate duce la rănire și/sau incendiu.

Simboluri

Mai jos sunt prezentate simbolurile care pot fi utilizate pentru echipament. Asigurați-vă că înțelegeți sensul acestora înainte de utilizare.



Citiți manualul de utilizare.



Acordați atenție și grijă deosebită.



Avertizare! Aspiratorul poate conține praf periculos.



Nu stați niciodată pe aspirator.



Nu puneți pe aspirator obiecte mai grele de 20 kg (44 lbs).



Clasă de praf M (mediu): pentru separarea prafului cu o valoare limită de expunere profesională nu mai mică de $0,1 \text{ mg/m}^3$. Aspiratoarele au capacitatea de a colecta praf de clasele L și M. Respectați normele naționale referitoare la praf și la sănătatea și siguranța profesională.



Doar pentru țările din cadrul UE
Din cauza prezenței componentelor periculoase în echipament, deșeurile de echipamente electrice și electronice, acumulatorii și bateriile pot avea un efect negativ asupra mediului și sănătății umane.
Nu eliminați aparatele electrice și electronice sau bateriile împreună cu gunoiul menajer!
În conformitate cu Directiva europeană privind deșeurile de echipamente electrice și electronice, acumulatorii, bateriile și deșeurile de acumulatori și baterii, precum și cu adaptarea sa în legislația națională, deșeurile de echipamente electrice, de baterii și de acumulatori trebuie depozitate separat și eliminate la un centru de colectare separat pentru deșeurile municipale, care respectă reglementările privind protecția mediului.
Acest lucru este indicat prin simbolul care reprezintă o pubeză cu roți barată cu o cruce, aplicat pe echipament.

Destinația de utilizare

Aparatul este destinat colectării prafului uscat și umed. Acest aparat este potrivit pentru uz comercial, de exemplu, în hoteluri, școli, spitale, fabrici, magazine, birouri și în societăți de închiriere.

Zgomot

Nivelul de zgomot normal ponderat A determinat în conformitate cu EN60335-2-69:

Nivel de presiune acustică (L_{pA}): 70 dB(A) sau mai puțin
Marjă de eroare (K): 2,5 dB(A)

Nivelul de zgomot în timpul funcționării poate depăși 80 dB (A).

NOTĂ: Valoarea (valorile) totală(e) a (ale) emisiilor de zgomot declarate a(u) fost măsurată(e) în conformitate cu o metodă de test standard și poate (pot) fi utilizată(e) pentru compararea unei uneelte cu alta.

NOTĂ: Valoarea (valorile) totală(e) a (ale) emisiilor de zgomot declarate poate (pot) fi, de asemenea, utilizată(e) într-o evaluare preliminară a expunerii.

AVERTIZARE: Purtați echipament de protecție pentru urechi.

AVERTIZARE: Emisiile de zgomot în timpul utilizării efective a unelei electrice poate diferi de valoarea (valorile) nivelului declarat, în funcție de modul în care unealta este utilizată, în special ce fel de piesă este prelucrată.

AVERTIZARE: Asigurați-vă că identificați măsurile de siguranță pentru a proteja operatorul, acestea fiind bazate pe o estimare a expunerii în condiții reale de utilizare (luând în considerare toate părțile ciclului de operare, precum timpii în care unealta a fost oprită, sau a funcționat în gol, pe lângă timpul de declanșare).

Vibrații

Valoarea totală a vibrațiilor (suma vectorilor tri-axiali) determinată conform EN60335-2-69:

Emisie de vibrații ($a_{h,M}$): $2,5 \text{ m/s}^2$ sau mai puțin
Marjă de eroare (K): $1,5 \text{ m/s}^2$

NOTĂ: Valoarea (valorile) totală(e) a (ale) nivelului de vibrații declarat a (au) fost măsurată(e) în conformitate cu o metodă de test standard și poate (pot) fi utilizată(e) pentru compararea unei uneelte cu alta.

NOTĂ: Valoarea (valorile) totală(e) a (ale) nivelului de vibrații declarat poate (pot) fi, de asemenea, utilizată(e) într-o evaluare preliminară a expunerii.

AVERTIZARE: Nivelul de vibrații în timpul utilizării efective a unelei electrice poate diferi de valoarea (valorile) nivelului declarat, în funcție de modul în care unealta este utilizată, în special ce fel de piesă este prelucrată.

AVERTIZARE: Asigurați-vă că identificați măsurile de siguranță pentru a proteja operatorul, acestea fiind bazate pe o estimare a expunerii în condiții reale de utilizare (luând în considerare toate părțile ciclului de operare, precum timpii în care unealta a fost oprită, sau a funcționat în gol, pe lângă timpul de declanșare).

Declarație de conformitate CE

Nu mai pentru țările europene

Declarația de conformitate CE este inclusă ca Anexa A în acest manual de instrucțiuni.

AVERTIZĂRI DE SIGURANȚĂ

Avertismente privind siguranța pentru aspiratorul fără cablu

▲AVERTIZARE: IMPORTANT CITIȚI CU ATENȚIE toate avertizările de siguranță și toate instrucțiunile ÎNAINTE DE UTILIZARE.

Nerespectarea acestor avertismente și instrucțiuni poate avea ca rezultat electrocutarea, incendiul și/ sau rănirea gravă.

1. Înainte de utilizare, asigurați-vă că aspiratorul va fi utilizat de persoane care au fost instruite în mod adecvat în ceea ce privește utilizarea acestuia.
2. Înaintea întrebuințării, operatorii vor primi informații, instrucțiuni și instruire privind folosirea dispozitivului și a substanțelor pentru care urmează să fie utilizat, inclusiv metoda de scoatere și eliminare în condiții de siguranță a materialului colectat.
3. În cazul scurgerilor de spumă/lichid, opriți aparatul imediat.
4. Curățați periodic dispozitivul de limitare a nivelului de apă și verificați dacă prezintă semne de deteriorare.
5. Asigurați-vă întotdeauna că filtrele sunt instalate corect înainte de utilizare. Nu utilizați aspiratorul fără filtre montate. Înlocuiți imediat filtrul, dacă acesta este deteriorat. Se recomandă să aveți câteva piese de schimb, deoarece filtrele sunt articole consumabile.
6. **EVITAȚI PORNIREA ACCIDENTALĂ.** Asigurați-vă că comutatorul este OPRIT înainte de a instala acumulatorul (acumulatorii).
7. Nu încercați să colectați materiale inflamabile, artificii, țigări aprinse, cenușă fierbinte, așchii de metal fierbinți, materiale ascuțite precum lame, ace, sticlă spartă sau altele asemenea.
8. **NU UTILIZAȚI NICIODATĂ ASPIRATORUL ÎN APROPIEREA BENZINEI, GAZELOR, VOPSELELOR, ADEZIVILOR SAU ALTOR SUBSTANȚE EXTREM DE EXPLOZIVE.** Întrerupătorul emite scânteii atunci când este PORNIT sau OPRIT. La fel și comutatorul motorului în timpul operării. Poate rezulta o explozie periculoasă.
9. Nu aspirați niciodată materiale toxice, cancerigene, combustibile sau periculoase precum azbest, arsenic, bariu, beriliu, plumb, pesticide sau alte materiale periculoase pentru sănătate.
10. Poziționați întotdeauna aspiratorul pe o suprafață plană orizontală pentru a preveni căderea sau mișcarea accidentală a acestuia.
11. Nu utilizați niciodată aspiratorul în exterior, în ploaie.
12. În Finlanda, această mașină nu trebuie utilizată la exterior, la temperatură scăzută.
13. Nu utilizați în apropierea surselor de căldură (sobe etc.).
14. Dacă aerul evacuat se întoarce în încăpere, este necesar să existe o rată corespunzătoare de recirculare a aerului în încăpere. Este necesar să se consulte reglementările naționale.
15. Nu blocați orificiul de aspirație/orificiul de evacuare/orificiile de ventilație care asigură răcirea. Aceste orificii permit răcirea motorului. Blocarea trebuie evitată cu atenție; altfel, motorul se va arde din cauza lipsei ventilării.
16. Mențineți-vă permanent echilibrul și sprijiniți-vă ferm pe picioare.
17. Nu pliați, nu trageți și nu călcați pe furtun.
18. Opriți aspiratorul imediat dacă performanțele acestuia se reduc sau dacă observați orice anomalitate în timpul operării.
19. **SCOATEȚI ACUMULATORUL (ACUMULATORII).** Când nu este utilizat, înainte de service și la schimbarea accesoriilor.
20. Curățați și efectuați întreținerea aspiratorului imediat după fiecare utilizare pentru a-l păstra într-o stare de funcționare cât mai bună.
21. **ÎNGRIJIȚI ASPIRATORUL.** Păstrați aspiratorul curat pentru o operare cât mai bună și sigură. Respectați instrucțiunile pentru schimbarea accesoriilor. Asigurați-vă că mânerule sunt uscate, curate și fără ulei sau unsoare.
22. **VERIFICAȚI PENTRU A IDENTIFICA EVENTUALELE COMPONENTE DEFECTE.** Înainte de a continua utilizarea aspiratorului, trebuie să verificați cu atenție dispozitivele de protecție sau alte componente care sunt deteriorate, pentru a stabili dacă aspiratorul va funcționa în mod corespunzător. Verificați alinierea componentelor mobile, funcționarea liberă a componentelor mobile, starea fizică a componentelor, montarea sau orice altă stare care ar putea afecta operarea acestuia. Dispozitivele de protecție și orice altă componentă care este deteriorată trebuie să fie reparate în mod corespunzător de către un atelier de service autorizat, cu excepția cazurilor în care se stipulează în mod diferit într-o altă secțiune a acestui manual de instrucțiuni. Reparați întrerupătoarele defecte în cadrul unui centru de service autorizat. Nu utilizați aspiratorul dacă nu îl puteți porni sau opri de la întrerupător.
23. Pentru efectuarea lucrărilor de service de către utilizator, mașina trebuie demontată, curățată și supusă lucrărilor de service în măsura în care acest lucru este posibil din punct de vedere rezonabil, fără ca personalul de întreținere sau alte persoane să fie supuse vreunui risc.
24. Dispozitivul trebuie inspectat din punct de vedere tehnic de către producător sau o persoană instruită, cel puțin o dată pe an, iar inspecția trebuie să includă, de exemplu, verificarea filtrelor pentru a detecta eventualele deteriorări, verificarea etanșeității la aer a dispozitivului și funcționarea corespunzătoare a mecanismului de comandă.
25. Atunci când efectuați intervenții de service sau reparație, toate elementele contaminate care nu pot fi curățate în mod satisfăcător trebuie eliminate; respectivele elemente trebuie eliminate utilizând saci impermeabili, în conformitate cu toate reglementările curente privind eliminarea acestui tip de deșeurii.

26. **PIESE DE SCHIMB.** La efectuarea operațiilor de service, utilizați numai piese de schimb identice cu cele înlocuite.
27. **DEPOZIȚIA ASPIRATORUL ATUNCI CÂND NU ESTE UTILIZAT.** Atunci când nu este utilizat, aspiratorul trebuie depozitat în spații închise.
28. **Filtrele umede și partea interioară a recipientului pentru lichide trebuie uscate înainte de depozitare.**
29. **Utilizați cu grijă aspiratorul.** O manipulare neatență poate cauza defectarea chiar și a celui mai rezistent aspirator.
30. **Nu încercați să curățați exteriorul sau interiorul cu benzină, diluant sau alte substanțe chimice de curățare.** Pot apărea fisuri și decolorare.
31. **Nu utilizați aspiratorul într-un spațiu închis în care vapori inflamabili, explozivi sau toxici sunt emanați de vopsea pe bază de ulei, benzină, unele substanțe de tratare chimică împotriva moliiilor etc. sau în zone în care este prezent praf inflamabil.**
32. **Nu utilizați acest aspirator sau orice altă unealtă atunci când vă aflați sub influența medicamentelor sau alcoolului.**
33. **Ca regulă de bază de siguranță, utilizați ochelari de protecție sau ochelari de protecție cu apărători laterale.**
34. **Utilizați o mască de praf în condiții de lucru cu praf.**
35. **Acest aparat nu este destinat utilizării de către persoane, inclusiv copii, cu capacități fizice, senzoriale sau mentale reduse sau cu lipsă de experiență și cunoștințe.**
36. **Copiii trebuie supravegheați pentru a vă asigura că nu se joacă cu aspiratorul.**
37. **Nu manipulați niciodată acumulatorul (acumulatorii) și aspiratorul cu mâinile ude.**
38. **Acordați o atenție specială la curățarea pe trepte.**
39. **Nu utilizați aspiratorul pe post de scaun sau ca banc de lucru. Acesta poate cădea, cauzând accidentări.**

Utilizarea și îngrijirea acumulatorului mașinii

1. **Efectuați reincărcarea numai cu încărcătorul specificat de producător.** Un încărcător adecvat pentru un anumit tip de acumulator poate prezenta risc de incendiu dacă este utilizat cu alt tip de acumulator.
2. **Folosiți mașinile electrice numai cu acumulatorii special destinați acestora.** Utilizarea altor acumulatori poate prezenta risc de rănire și de incendiu.
3. **Când nu folosiți cartușul de acumulatori, țineți-l la distanță de obiecte metalice precum agrafe de birou, monede, chei, cuie, șuruburi sau alte obiecte metalice mici, ce pot constitui o legătură între cele două borne.** Scurtcircuitarea bornelor acumulatorului poate provoca arsuri sau incendii.
4. **În condiții extreme, lichidul poate fi eliminat din acumulator; evitați contactul cu acesta. Dacă intrați în contact accidental, clătiți bine cu apă zona afectată. Dacă lichidul intră în contact cu ochii, consultați și un medic.** Lichidul eliminat din acumulator poate provoca iritații sau arsuri.
5. **Nu utilizați un acumulator sau o unealtă care este avariată sau modificată.** Bateriile avariate sau modificate pot prezenta comportament imprezvizibil ce poate cauza incendii, explozii sau risc de rănire.
6. **Nu expuneți un acumulator sau o unealtă la foc sau la temperaturi excesive.** Expunerea la foc sau la temperaturi mai mari de 130 °C poate cauza explozii.
7. **Urmați toate instrucțiunile de încărcare și nu încărcați acumulatorul sau unealta la temperaturi din afara intervalului specificat în instrucțiuni.** Încărcarea incorectă sau la temperaturi din afara intervalului specificat poate cauza deteriorarea bateriei și creșterea riscului de incendiu.

PĂSTRAȚI ACESTE INSTRUCȚIUNI.

⚠️ AVERTIZARE: NU permiteți comodității și familiarizării cu produsul (obținute prin utilizare repetată) să înlocuiască respectarea strictă a normelor de securitate pentru acest produs. **FOLOSIREA INCORECTĂ** sau nerespectarea normelor de securitate din acest manual de instrucțiuni poate provoca vătămări corporale grave.

Instrucțiuni importante privind siguranța pentru cartușul acumulatorului

1. **Înainte de a folosi cartușul acumulatorului, citiți toate instrucțiunile și atenționările de pe (1) încărcătorul acumulatorului, (2) acumulator și (3) produsul care folosește acumulatorul.**
2. **Nu dezasamblați și nu interveniți asupra cartușului acumulatorului.** Acest lucru poate cauza incendii, căldură excesivă sau explozii.
3. **Dacă timpul de funcționare s-a redus excesiv, întrerupeți imediat funcționarea. Aceasta poate prezenta risc de supraîncălzire, posibile arsuri și chiar explozie.**
4. **Dacă electrolitul pătrunde în ochi, clătiți bine ochii cu apă curată și consultați imediat un medic. Există risc de orbire.**
5. **Nu scurtcircuitați cartușul acumulatorului:**
 - (1) **Nu atingeți bornele cu niciun material conductor.**
 - (2) **Evitați depozitarea cartușului acumulatorului la un loc cu alte obiecte metalice cum ar fi cuie, monede etc.**
 - (3) **Nu expuneți cartușul acumulatorului la apă sau ploaie.**

Un scurtcircuit al acumulatorului poate provoca un flux puternic de curent electric, supraîncălzire, posibile arsuri și chiar defectarea mașinii.
6. **Nu depozitați și nu utilizați mașina și cartușul acumulatorului în locuri în care temperatura poate atinge sau depăși 50 °C (122 °F).**
7. **Nu incinerati cartușul acumulatorului chiar dacă acesta este grav deteriorat sau complet uzat. Cartușul acumulatorului poate exploda în foc.**

8. **Nu introduceți cuie în cartușul acumulatorului, nu îl tăiați, striviți, aruncați sau scăpați și nu îl loviți cu un obiect dur.** Astfel de acțiuni pot provoca incendii, căldură excesivă sau explozii.
9. **Nu utilizați un acumulator deteriorat.**
10. **Acumulatorii Li-Ion încorporați se supun cerințelor Legislației privind substanțele periculoase.**
 Pentru transporturi comerciale, efectuate de exemplu de către părți terțe, expeditori, trebuie respectate cerințele speciale de ambalare și etichetare.
 Pentru pregătirea articolului care urmează să fie expedit, este necesară consultarea unui expert în materiale periculoase. Vă rugăm să respectați, de asemenea, reglementările naționale, care pot fi mai detaliate.
 Izolați sau acoperiți contactele deschise și împachetați acumulatorul în așa fel încât să nu se poată mișca în ambalaj.
11. **Atunci când eliminați la deșeurii cartușul acumulatorului, scoateți-l din mașină și eliminați-l într-un loc sigur. Respectați normele naționale privind eliminarea la deșeurii a acumulatorului.**
12. **Utilizați acumulatoroarele numai cu produsele specificate de Makita.** Instalarea acumulatorilor în produse neconforme poate cauza incendii, căldură excesivă, explozii sau scurgeri de electrolit.
13. **Dacă mașina nu este utilizată o perioadă lungă de timp, acumulatorul trebuie scos din acesta.**
14. **În timpul utilizării și după aceea, cartușul acumulatorului se poate încălzi, ceea ce poate cauza arsuri sau arsuri la temperaturi scăzute. Fiți atenți la manipularea cartușelor de acumulator atunci când sunt fierbinți.**
15. **Nu atingeți borna mașinii imediat după utilizare, întrucât se poate încălzi foarte tare și poate provoca arsuri.**
16. **Nu lăsați să pătrundă așchii, praf sau pământ în borne, în orificii și în canelurile cartușului acumulatorului.** Acest lucru poate provoca încălzirea, aprinderea, explozia și defectarea mașinii sau a cartușului acumulatorului, cauzând arsuri sau vătămări corporale.
17. **Nu utilizați cartușul acumulatorului în apropierea liniilor electrice de înaltă tensiune, cu excepția cazului în care mașina suportă utilizarea în apropierea liniilor electrice de înaltă tensiune.** Acest lucru poate duce la funcționarea necorespunzătoare sau la defectarea mașinii sau a cartușului acumulatorului.
18. **Țineți acumulatorul la distanță de copii.**

PĂSTRAȚI ACESTE INSTRUCȚIUNI.

⚠ATENȚIE: Folosiți numai acumulatori Makita originali. Acumulatorii Makita care nu sunt originali și acumulatorii care au suferit modificări se pot aprinde, provocând incendii, leziuni corporale și daune. De asemenea, anulează garanția oferită de Makita pentru unealta și încărcătorul Makita.

Sfaturi pentru obținerea unei durate maxime de exploatare a acumulatorului

1. **Încărcați cartușul acumulatorului înainte de a se descărca complet.** Întrerupeți întotdeauna funcționarea mașinii și încărcați cartușul acumulatorului când observați o scădere a puterii mașinii.
2. **Nu reîncărcați niciodată un acumulator complet încărcat.** Suprîncărcarea va scurta durata de exploatare a acumulatorului.
3. **Încărcați cartușul acumulatorului la temperatura camerei, între 10 °C - 40 °C (50 °F - 104 °F).** Lăsați un acumulator fierbinte să se răcească înainte de a-l încărca.
4. **Atunci când nu utilizați cartușul acumulatorului, scoateți-l din mașină sau din încărcător.**
5. **Încărcați cartușul acumulatorului în cazul în care nu a fost utilizat pe o perioadă mai lungă (mai mult de șase luni).**

Instrucțiuni importante privind siguranța pentru unitatea wireless

1. **Nu deschideți niciodată singur clapeta de închidere a fantei după instalarea unității wireless.**
2. **Nu dezasamblați sau interveniți asupra unității wireless.**
3. **Țineți unitatea wireless la distanță de copii mici.** Dacă este înghițită accidental, consultați imediat un medic.
4. **Utilizați unitatea wireless numai cu mașini Makita.**
5. **Nu expuneți unitatea wireless la ploaie sau la condiții de umiditate.**
6. **Nu utilizați unitatea wireless în locuri unde temperatura depășește 50 °C.**
7. **Nu operați unitatea wireless în apropierea unor instrumente medicale, precum stimulatorul cardiac.**
8. **Nu operați unitatea wireless în apropierea unor dispozitive automate.** Dacă sunt operate, dispozitivele automate pot dezvolta funcționări defectuoase sau erori.
9. **Nu operați unitatea wireless în locuri cu temperaturi ridicate sau în locuri în care s-ar putea genera electricitate statică sau zgomot electric.**
10. **Unitatea wireless poate produce câmpuri electromagnetice (CEM), însă acestea nu sunt dăunătoare pentru utilizator.**
11. **Unitatea wireless este un instrument de precizie.** Aveți grijă să nu scăpați sau să loviți unitatea wireless.
12. **Evitați să atingeți borna unității wireless cu mâinile neacoperite sau cu materiale metalice.**
13. **Scoateți întotdeauna acumulatorul din produs atunci când instalați unitatea wireless în acesta.**

14. Atunci când deschideți clapeta de închidere a fantei, evitați locurile unde praful sau apa poate pătrunde în fantă. Mențineți întotdeauna curat orificiul de admisie al fantei.
15. Introduceți întotdeauna unitatea wireless în direcția corectă.
16. Nu apăsați cu forță excesivă butonul de activare wireless de pe unitatea wireless și/sau nu apăsați butonul cu un obiect cu o margine ascuțită.
17. Închideți întotdeauna clapeta de închidere a fantei atunci când lucrați.
18. Nu scoateți unitatea wireless din fantă în timp ce mașina este alimentată cu energie. În caz contrar, unitatea wireless poate funcționa defectuos.
19. Nu îndepărtați autocolantul de pe unitatea wireless.
20. Nu aplicați niciun autocolant pe unitatea wireless.
21. Nu lăsați unitatea wireless într-un loc unde s-ar putea genera electricitate statică sau zgomot electric.
22. Nu lăsați unitatea wireless într-un loc supus temperaturilor ridicate, cum ar fi o mașină parcată în soare.
23. Nu lăsați unitatea wireless într-un loc în care se produce praf sau pulbere sau într-un loc unde s-ar putea genera gaze corozive.
24. Schimbarea bruscă de temperatură poate duce la înrouarea unității wireless. Nu utilizați unitatea wireless înainte ca picăturile de rouă să se fi uscat complet.
25. Atunci când curățați unitatea wireless, ștergeți delicat cu o lavetă moale și uscată. Nu utilizați benzină, diluant, vaselină conductivă sau alt produs similar.
26. Atunci când depozitați unitatea wireless, păstrați-o în cutia furnizată sau într-un recipient fără electricitate statică.
27. Nu introduceți în fantă de pe mașină alte dispozitive în afară de unitatea wireless Makita.
28. Nu utilizați mașina dacă clapeta de închidere a fantei este deteriorată. Apa, praful și murdăria care pătrund în fantă pot provoca defectarea.
29. Nu trageți și/sau răsuciți clapeta de închidere mai mult decât este necesar. Puneți la loc clapeta de închidere dacă se desprinde de pe mașină.
30. Înclocuiți clapeta de închidere a fantei dacă se pierde sau dacă este deteriorată.

PĂSTRAȚI ACESTE INSTRUCȚIUNI.

DESCRIEREA FUNCȚIILOR

⚠ATENȚIE: Asigurați-vă întotdeauna că aparatul este oprit și cartușele acumulatorului sunt scoase înainte de a ajusta sau de a verifica funcționarea aparatului.

Instalarea sau scoaterea cartușului acumulatorului

⚠ATENȚIE: Opriți întotdeauna mașina înainte de instalarea sau scoaterea cartușului acumulatorului.

⚠ATENȚIE: Țineți ferm aspiratorul și cartușul acumulatorului la instalarea sau scoaterea cartușului. În cazul în care nu țineți ferm aspiratorul și cartușul acumulatorului, acestea vă pot aluneca din mâini, rezultând defectarea aspiratorului și a cartușului acumulatorului, precum și accidentări.

⚠ATENȚIE: Acordați atenție pentru a nu vă prinde degetele la deschiderea și închiderea capacului acumulatorului. În caz contrar, există pericol de vătămare corporală.

Pentru a instala cartușul acumulatorului, eliberați mai întâi încuietoarea și apoi deschideți capacul acumulatorului. După aceea, introduceți cartușul acumulatorului.

► **Fig.1:** 1. Încuietoare 2. Capacul acumulatorului

Aliniați limba de pe cartușul acumulatorului cu canelura din carcasă și introduceți-l în locaș. Introduceți-l complet, până când se înclichetează în locaș. Apoi blocați capacul acumulatorului.

► **Fig.2:** 1. Cartușul acumulatorului 2. Buton

Pentru a scoate cartușul acumulatorului, glisați-l afară din mașină în timp ce glisați butonul de pe partea frontală a cartușului.

⚠ATENȚIE: Întotdeauna introduceți complet cartușul acumulatorului. În caz contrar, acesta poate cădea accidental din aspirator provocând accidentarea dumneavoastră sau a persoanelor din jur.

⚠ATENȚIE: Nu forțați cartușul acumulatorului la montare. Dacă acesta nu glisează ușor, înseamnă că a fost introdus incorect.

NOTĂ: Aspiratorul nu funcționează doar cu un singur cartuș de acumulator.

Indicarea capacității rămase a acumulatorului

Apăsați butonul de verificare de pe cartușul acumulatorului, astfel încât să se indice capacitățile rămase ale acumulatorului. Lămpile indicatorului vor lumina timp de câteva secunde.

► **Fig.3:** 1. Lămpi indicatoare 2. Buton de verificare

Lămpi indicatoare			Capacitate rămasă
Iluminat	Oprit	Iluminare intermitentă	
			între 75% și 100%
			între 50% și 75%
			între 25% și 50%
			între 0% și 25%
			Încărcați acumulatorul.
			Este posibil ca acumulatorul să fie defect.

NOTĂ: În funcție de condițiile de utilizare și temperatura ambientală, indicația poate fi ușor diferită de capacitatea reală.

NOTĂ: Prima lampă indicatoare (extremitatea stângă) va lumina intermitent când sistemul de protecție a acumulatorului funcționează.

Indicatoarele acumulatorului de pe panoul de control

Capacitatea rămasă a acumulatorului poate fi citită oricând pe panoul de control. Apăsăți butonul de verificare, iar indicatoarele din stânga și din dreapta vor afișa nivelul de încărcare a acumulatorului în mod corespunzător.

► **Fig.4:** 1. Indicator acumulator stânga 2. Indicator acumulator dreapta 3. Buton de verificare

► **Fig.5**

Stare indicator acumulator			Capacitatea rămasă a acumulatorului
Pornit	Oprit	Iluminare intermitentă	
			între 50% și 100%
			între 20% și 50%
			între 0% și 20%
			Încărcați acumulatorul
			Cartușul nu a fost introdus

NOTĂ: Indicatorul acumulatorului funcționează atunci când sunt introduse două acumuloatoare.

NOTĂ: Indicatoarele acumulatorului vor fi activate și atunci când aspiratorul începe să funcționeze.

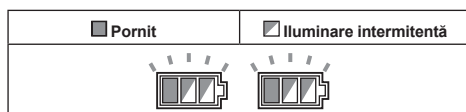
Sistem de protecție aparat/acumulator

Aparatul este echipat cu un sistem de protecție a aparatului/acumulatorului. Acest sistem întrerupe automat alimentarea motorului pentru a prelungi durata de funcționare a aparatului și a acumulatorului. Aparatul se va opri automat în timpul funcționării dacă aparatul sau acumulatorul se află într-una dintre situațiile următoare:

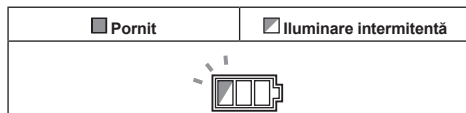
Protecție la suprasarcină

Când aparatul/acumulatorul este utilizat într-un mod care duce la un consum de curent anormal de ridicat, aparatul se va opri automat. În această situație, opriți aparatul și întrerupeți aplicația care a dus la suprasolicitare. Apoi, reporniți aparatul.

Protecție la supraîncălzire



Când aparatul este supraîncălzit, acesta se oprește automat și ambele indicatoare ale acumulatorului din dreapta și din stânga luminează intermitent. În această situație, lăsați aparatul să se răcească și curățați filtrele înainte de a-l reporni.



Când bateria este supraîncălzită, aparatul se oprește automat și unul dintre indicatoarele de supraîncălzire luminează intermitent. În această situație, lăsați acumulatorul să se răcească înainte de a porni din nou aparatul.

Protecție la supradescărcare

Când capacitatea acumulatorului scade, aparatul se oprește automat. Dacă aparatul nu funcționează la acționarea întrerupătoarelor, scoateți acumulatorii din aparat și încărcați-i.

Măsurile de protecție împotriva altor cauze

Sistemul de protecție este, de asemenea, conceput pentru alte cauze care ar putea deteriora aparatul și permite aparatului să se oprească automat. Parcurgeți toți pașii următori pentru a elimina cauzele, atunci când aparatul a fost oprit temporar sau a fost scos din funcțiune.

1. Opriți aparatul, apoi porniți-l din nou pentru a reporni.
2. Încărcați acumulatorul (acumulatorii) sau înlocuiți-l (înlocuiți-i) cu un acumulator (acumulatori) încărcat (încărcați).
3. Lăsați aparatul și acumulatorul (acumulatorii) să se răcească.

Dacă nu se poate observa nicio îmbunătățire prin resetarea sistemului de protecție, contactați centrul local de service Makita.

Acționarea întrerupătorului

Pornirea aspiratorului

1. Rotiți comutatorul de stare de așteptare în poziția „I” (PORNIT) sau „AUTO” (PORNIT) pentru a aduce aspiratorul în modul de așteptare.
2. Apăsăți butonul de pornire. Pentru a reveni la modul de așteptare, apăsați din nou butonul de pornire.

Oprirea aspiratorului

Efectuați unul dintre pașii următori.

- Apăsăți butonul de pornire pentru a aduce aspiratorul din nou în modul de așteptare.
- Rotiți comutatorul de stare de așteptare în poziția „O” (OPRIT).

Reglarea puterii de aspirație

Puterea de aspirație poate fi reglată conform necesităților dumneavoastră de lucru.

- Rotiți butonul rotativ de reglare a forței de aspirație spre stânga pentru a reduce puterea de aspirație.
- Rotiți butonul rotativ de reglare a forței de aspirație spre dreapta pentru a crește puterea de aspirație.

Selectarea diametrului furtunului

Rotiți butonul pentru selectarea diametrului furtunului pentru a alege diametrul furtunului pe care-l veți utiliza.

NOTĂ: Nu rotiți butonul selector alegând un spațiu dintre numere. Rotiți butonul selector întotdeauna în funcție de diametrul furtunului.

- **Fig.6:** 1. Comutator de stare de așteptare 2. Buton rotativ de reglare a forței de aspirație 3. Buton pentru selectarea diametrului furtunului 4. Buton de pornire

NOTĂ: Setări întotdeauna comutatorul de stare de așteptare pe partea „O” dacă nu utilizați aspiratorul o perioadă îndelungată. Aspiratorul consumă energie în timpul stării de așteptare.

Semnal sonor de avertizare

Semnalele sonore sunt de două feluri. Unul este un semnal sonor scurt, iar al doilea este un semnal sonor continuu.

- Atunci când viteza fluxului de aer scade sub 20 m/s, aspiratorul emite semnale sonore scurte de avertizare pentru siguranță. La emiterea semnalelor sonore, verificați butonul pentru selectarea diametrului furtunului sau dacă forța de aspirație nu este prea mică. Dacă semnalele sonore continuă să se audă, efectuați lucrări de întreținere sau adresați-vă centrului de service local.
- Atunci când rezervorul este plin cu lichid, aspiratorul emite semnale sonore continue de avertizare și se oprește automat. După ce aspiratorul se oprește, opriți alimentarea și goliți rezervorul.

Oprire automată a aspirației în timpul operației de aspirare umedă

⚠️ AVERTIZARE: Nu colectați spumă sau lichide cu săpun. Acest lucru ar putea cauza ieșirea spumei prin orificiile de aer. Continuarea utilizării în această stare poate cauza un șoc electric și defectarea aspiratorului.

Aspiratorul are un mecanism care previne pătrunderea apei în motor atunci când se depășește cantitatea de apă care poate fi colectată.

Atunci când rezervorul este plin cu lichid, aspiratorul emite semnale sonore continue de avertizare și se oprește automat. După ce aspiratorul se oprește, opriți alimentarea și goliți rezervorul.

Sistem de curățare a filtrului

Acest aparat are instalat un sistem de curățare a filtrelor. În timpul utilizării aparatului, sistemul de curățare a filtrelor șterge automat praful de pe filtre pentru a preveni scăderea forței de aspirație din cauza înfundării filtrelor.

Dacă aparatul aspiră o cantitate mare de praf dintr-o dată, forța de aspirație poate scădea. În acest caz, se recomandă curățarea manuală a filtrelor.

1. Opriți aparatul.
2. Reglați puterea de aspirare la maximum, apoi acoperiți cu palma deschiderea furtunului de aspirare.
3. Porniți aparatul și lăsați-l să funcționeze timp de aproximativ 15 secunde ținând acoperită deschiderea furtunului de aspirare.

► **Fig.7:** 1. Deschiderea furtunului de aspirare

NOTĂ: Volumul de aer se poate modifica în timp ce sistemul de curățare a filtrului este activat, dar acesta nu este defect.

Scurgerea apei

Când rezervorul este plin cu lichid, opriți aspiratorul și deschideți capacul pentru scurgerea apei pentru a goli rezervorul.

► **Fig.8:** 1. Capac pentru scurgerea apei

Capacul

Capacul este furnizat cu aparatul. Montarea capacului la portul de conectare a furtunului previne ca praful aspirat să iasă din aspirator.

► **Fig.9:** 1. Capac

Blocarea și deblocarea rotilor

Rotilele din față pot fi blocate cu ajutorul unor opritoare pentru a ajuta aspiratorul să rămână nemișcat. Coborâți manual pârghia opritoare pentru a bloca roțile și ridicați-o pentru a o elibera.

► **Fig.10:** 1. Aparat de turnat 2. Pârghie opritoare 3. Poziție FREE (Liber) 4. Poziție LOCK (Blocare)

NOTĂ: La mutarea aspiratorului, asigurați-vă că roțile este deblocate. Mutarea aspiratorului cu roțile în poziție blocate poate cauza defectarea rotilor.

Mâner pentru transport

⚠️ ATENȚIE: Ridicați și transportați aparatul cu mare grijă. În caz contrar, se pot produce accidentări sau aparatul poate fi deteriorat.

Când transportați aspiratorul, purtați-l ținând de mânerul aflat pe unitatea principală. Mânerul este retractabil pe unitatea principală atunci când nu este utilizat.

► Fig.11

Dacă nu puteți transporta aparatul singur, transportați-l în doi, ca în imagine.

► Fig.12

► Fig.13

ASAMBLARE

⚠️ AVERTIZARE: Acest aparat poate conține praf periculos. La înlocuirea elementelor de filtrare și a sacului de praf sau la efectuarea întreținerii, utilizați întotdeauna o mască de respirat P2.

⚠️ ATENȚIE: Asigurați-vă întotdeauna că aparatul este oprit, iar cartușele acumulatorului sunt scoase, înainte de a executa orice acțiune asupra aparatului.

Instalarea și eliminarea sacului filtrant

⚠️ AVERTIZARE: Folosiți întotdeauna o mască de respirat P2.

⚠️ AVERTIZARE: Înainte de a utiliza sacul filtrant, asigurați-vă că este folosit cu unitatea de filtrare. Neutilizarea cu unitatea de filtrare poate cauza zgomote anormale și căldură, cu risc de apariția a unui incendiu.

⚠️ AVERTIZARE: Atunci când utilizați aparatul ca aparat din clasa de praf M, asigurați-vă întotdeauna că utilizați sacul filtrant.

NOTĂ: Nu colectați niciodată apă sau alte lichide sau pulberi umede atunci când utilizați un sac filtrant. Colectarea unor astfel de materiale poate cauza distrugerea sacului filtrant.

1. Eliberați cârligele de blocare și ridicați unitatea principală de pe rezervor.

► Fig.14: 1. Cârlig de blocare

2. Desfaceți un sac filtrant.

3. Aliniați deschiderea sacului filtrant cu gura de admisie a prafului în rezervor.

4. Introduceți cartonul sacului filtrant pe mașină astfel încât să fie poziționat la capătul aflat dincolo de proeminența de decuplare.

► Fig.15: 1. Sac filtrant 2. Deschiderea cartonului 3. Suport de sac filtrant 4. Gură de admisie praf 5. Margine

Atunci când aruncați sacul filtrant, trageți marginea pe gura sacului filtrant astfel încât gura să fie închisă de o hârtie.

Instalarea sacului din polietilenă

Accesorii opționale

Așezați un sac din polietilenă peste rezervor și trageți o parte a marginii superioare a sacului spre deschizătura sa, între placa de suport și peretele frontal al rezervorului.

Apoi, desfășurați celelalte margini superioare ale sacului spre exterior peste marginile superioare ale rezervorului.

Se poate folosi un sac din polietilenă cu sacul filtrant.

► Fig.16: 1. Placă suport 2. Peretele frontal al rezervorului 3. Sac din polietilenă

NOTĂ: Poate fi utilizat un sac din polietilenă disponibil în comerț. Se recomandă o grosime de peste 0,04 mm și un perimetru de peste 2.000 mm.

NOTĂ: Prea mult praf va rupe cu ușurință sacul din polietilenă, așadar nu îl umpleți prea mult. Eliminarea sacului greu poate fi o povară pentru o persoană.

Golirea rezervorului cu ajutorul unui sac din polietilenă

⚠️ AVERTIZARE: Asigurați-vă întotdeauna că aspiratorul este oprit și cartușele acumulatorului sunt scoase înainte de a goli rezervorul. În caz contrar, pot apărea șocuri electrice și vătămări corporale grave.

NOTĂ: Goliți rezervorul cel puțin o dată pe zi, deși acest lucru depinde de volum de praf colectat în rezervor. În caz contrar, forța de aspirație se va reduce, iar motorul se poate defecta.

NOTĂ: Nu prindeți aparatul de cârlige de blocare atunci când goliți rezervorul. Acest lucru poate cauza ruperea cârligelor de blocare.

1. Eliberați cârligele de blocare și ridicați unitatea principală de pe rezervor.

2. Scoateți sacul din polietilenă din rezervor, închizând manual deschiderea sacului.

► Fig.17: 1. Sac din polietilenă 2. Rezervor

NOTĂ: Scoateți cu atenție sacul din polietilenă din rezervor pentru a evita zgărirea și ruperea marginilor din interiorul rezervorului.

NOTĂ: Goliți sacul din polietilenă înainte de a deveni plin. Prea mult praf în rezervor va cauza ruperea sacului din polietilenă.

Instalarea furtunului

NOTĂ: Nu forțați niciodată furtunul îndoiindu-l sau strivindu-l. Nu mutați niciodată aspiratorul trăgând de furtun. Forțarea, strivirea și tragerea furtunului pot cauza distrugerea sau deformarea acestuia.

NOTĂ: La colectarea unor reziduuri de mari dimensiuni, precum așchii de la mașina de rindeluit, praf de beton sau alte materiale similare, utilizați furtunul cu un diametru interior de 38 mm (accesoriu opțional). Utilizarea unui furtun (accesoriu opțional) cu un diametru interior de 28 mm poate cauza înfundarea și distrugerea acestuia.

NOTĂ: Puneți întotdeauna capacul pe portul de montare ori de câte ori scoateți furtunul din aspirator.

Conectarea la aspirator

Scoateți capacul de pe portul de montare. Capacul poate fi depozitat pe spatele aspiratorului cât timp furtunul este conectat la aspirator.

► **Fig.18:** 1. Capac

Introduceți capătul furtunului în gura de admisie a prafului (intrarea furtunului) a aspiratorului, apoi rotiți-l în sens orar până când se blochează în poziție.

► **Fig.19:** 1. Furtun 2. Gură de admisie a prafului (intrarea furtunului)

Conectarea cu uneltele dvs. de lucru (Diferă în funcție de țară)

Prin conectarea aspiratorului la orice instrument de lucru disponibil compatibil cu aspiratorul, acesta funcționează ca un accesoriu de extragere a prafului pentru uneltele dvs. electrice.

Selecția una dintre garniturile frontale sau îmbinări (accesorii opționale), în funcție de ceea ce se potrivește cel mai bine pentru modelul dvs. de unealtă. Așezați garniturile sau îmbinarea, după cum este necesar, între capătul frontal al furtunului aspiratorului și un orificiu de extragere a prafului de la unealta dumneavoastră.

► **Fig.20:** 1. Garnituri frontale sau îmbinări 2. Furtun aspirator 3. Unealtă electrică 4. Aspirator

Montarea sau demontarea accesoriilor de aspirare

ATENȚIE: După montarea unui accesoriu, verificați dacă acesta este fixat ferm. În cazul în care accesoriul este montat necorespunzător, acesta se poate desprinde, cauzând vătămări corporale.

Când utilizați accesoriul fără funcție de blocare

Accesoriu opțional

Introduceți un accesoriu în orificiul de aspirație al aspiratorului, împingându-l și înșurubându-l manual. Răsuciți manual și trageți accesoriul separat de orificiul de aspirație după utilizare.

► **Fig.21**

Instalare MAKPAC

Accesoriu opțional

ATENȚIE: Nu vă urcați și nu vă așezați pe partea superioară a aparatului. Acesta poate cădea din cauza instabilității.

ATENȚIE: Operați cu grijă atunci când instalați MAKPAC. În caz contrar, se pot produce accidente sau aparatul poate fi deteriorat.

ATENȚIE: Când MAKPAC este instalat pe aparat, nu ridicați aparatul apucând de mânerul MAKPAC.

ATENȚIE: Atunci când deplasați aparatul pe care este instalat MAKPAC, nu împingeți MAKPAC, ci corpul aparatului. Dacă împingeți MAKPAC puteți rupe încuietorile și MAKPAC poate cădea, ceea ce poate duce la vătămări corporale.

Carcasele de depozitare a MAKPAC care pot fi conectate și stivuite pot fi instalate deasupra aspiratorului. Carcasele sunt disponibile în mai multe dimensiuni și stiluri pentru a se potrivi preferințelor dumneavoastră.

1. Desfaceți încuietorile de pe partea superioară a aspiratorului.

► **Fig.22:** 1. Încuietoare

2. Montați carcasa MAKPAC pe partea superioară a aspiratorului și fixați-le cu încuietori.

► **Fig.23:** 1. Încuietoare 2. MAKPAC

Înălțimea și greutatea maxime pentru instalarea MAKPAC sunt 315 mm și, respectiv, 20 kg.

► **Fig.24**

OPERAREA

AVERTIZARE: Utilizați întotdeauna o mască respiratorie P2.

ATENȚIE: Dacă din aparat iese spumă sau lichid, opriți-l imediat. Continuarea utilizării în această stare poate cauza un șoc electric și defectarea aspiratorului.

FUNCȚIA DE ACTIVARE WIRELESS

Accesoriu opțional

Ce puteți face cu funcția de activare wireless

Funcția de activare wireless face posibilă o utilizare curată și confortabilă. Conectând o mașină acceptată la aparatul de curățat, puteți rula automat aparatul de curățat, împreună cu operația de comutare a mașinii.

► **Fig.25**

NOTĂ: Rețineți să consultați manualul de instrucțiuni al instrumentului atunci când utilizați aparatul de curățat cu funcția de activare wireless.

NOTĂ: Nu dezamblați sau interveniți asupra unității wireless.

NOTĂ: Pentru a preveni pătrunderea prafului în fanta unității wireless, întotdeauna închideți ferm capacul în timpul funcționării și al depozitării.

NOTĂ: Nu apăsați cu forță excesivă butonul de activare wireless și/sau nu apăsați butonul cu un obiect cu o margine ascuțită.

NOTĂ: Activarea wireless necesită mașini Makita echipate cu unitatea wireless.

NOTĂ: Înainte de utilizarea inițială a funcției de activare wireless cu fiecare mașină, este necesară înregistrarea mașinii. Odată ce înregistrarea mașinii este finalizată, o reînregistrare nu va fi necesară atât timp cât înregistrarea nu este anulată.

NOTĂ: Înainte de înregistrare, asigurați-vă că unitatea wireless este introdusă corect.

NOTĂ: O unitate wireless poate înregistra până la 10 legături cu alte unități wireless. Dacă la o unitate wireless sunt înregistrate mai mult de 10 unități wireless, unitatea înregistrează prima va fi anulată automat.

NOTĂ: Poziția butonului de activare wireless variază în funcție de mașină.

NOTĂ: Aparatul de curățat pornește de asemenea la apăsarea butonului de pornire atunci când comutatorul de stare de așteptare este setat pe „AUTO”. Cu toate acestea, butonul de pornire nu va acționa atunci când funcția de activare wireless este utilizată.

Instalarea unității wireless

⚠️ AVERTIZARE: Deschideți clapeta de închidere numai când instalați unitatea wireless pentru prima dată. Nu deschideți niciodată clapeta de închidere după ce ați instalat-o.

⚠️ ATENȚIE: Așezați aspiratorul pe o suprafață plană și stabilă atunci când instalați unitatea wireless.

NOTĂ: Curățați praful și murdăria de pe aspirator înainte de a instala unitatea wireless. Praful sau murdăria poate cauza funcționarea defectuoasă dacă pătrunde în fanta unității wireless.

NOTĂ: Pentru a preveni funcționarea defectuoasă cauzată de energia statică, atingeți un material de descărcare statică, precum o parte din metal, înainte de a ridica unitatea wireless.

NOTĂ: Atunci când instalați unitatea wireless, asigurați-vă întotdeauna de introducerea unității wireless în direcția corectă și de închiderea completă a clapetei de închidere.

1. Slăbiți șuruburile ca să deschideți clapeta de închidere de pe aspirator după cum se vede în figură.

► Fig.26: 1. Clapetă de închidere 2. Șurub

2. Introduceți unitatea wireless în fantă.

Atunci când introduceți unitatea wireless, aliniați proeminențele cu porțiunile înfundate de pe fantă.

► Fig.27: 1. Unitate wireless 2. Proeminență 3. Clapetă de închidere 4. Porțiune înfundată

3. Strângeți complet șurubul ca să închideți clapeta de închidere.

Înregistrarea mașinii pentru aparatul de curățat

NOTĂ: Pentru înregistrarea mașinii este necesară o mașină Makita care acceptă funcția de activare wireless.

NOTĂ: Finalizați instalarea unității wireless la mașină înainte de a începe înregistrarea mașinii.

NOTĂ: În timpul înregistrării mașinii, nu trageți butonul declanșator de pe mașină și nu porniți întrerupătorul de pornire/oprire de pe aparatul de curățat.

NOTĂ: Consultați de asemenea manualul de instrucțiuni al mașinii.

Dacă doriți să activați aparatul de curățat odată cu operația de comutare a mașinii, finalizați mai întâi înregistrarea mașinii.

1. Instalați unitățile wireless la aspirator și la mașină.

2. Instalați acumulatorii la aparatul de curățat și la mașină.

3. Setati comutatorul de stare de așteptare de pe aparatul de curățat pe „AUTO”.

► Fig.28: 1. Comutator de stare de așteptare

4. Apăsați butonul de activare wireless de pe aparatul de curățat timp de 3 secunde până când lampa de activare wireless luminează intermitent cu verde. Apoi, apăsați butonul de activare wireless de pe mașină în același mod.

► Fig.29: 1. Buton de activare wireless 2. Lampă de activare wireless

Dacă aparatul de curățat și mașina sunt conectate cu succes, lămpile de activare wireless se vor aprinde cu verde timp de 2 secunde și vor începe să lumineze intermitent cu albastru.

NOTĂ: Lămpile de activare wireless încetează să lumineze intermitent cu verde după scurgerea a 20 de secunde. Apăsați butonul de activare wireless de pe mașină în timp ce lampa de activare wireless de pe aparatul de curățat luminează intermitent. Dacă lampa de activare wireless nu luminează intermitent cu verde, apăsați scurt butonul de activare wireless și țineți-l din nou apăsat.

NOTĂ: Atunci când efectuați două sau mai multe înregistrări ale mașinii pentru aparatul de curățat, finalizați pe rând fiecare înregistrare.

Pornirea funcției de activare wireless

NOTĂ: Finalizați înregistrarea mașinii pentru aparatul de curățat pentru activarea wireless.

NOTĂ: Amplasați întotdeauna aparatul de curățat astfel încât să puteți vedea starea lămpii de activare wireless.

NOTĂ: Consultați de asemenea manualul de instrucțiuni al mașinii.

După înregistrarea unei mașini la aparatul de curățat, acesta va rula automat, împreună cu operația de comutare a mașinii.

1. Instalați unitățile wireless la aspirator și la mașină.
2. Instalați acumulatorii la aparatul de curățat și la mașină.
3. Conectați furtunul aparatului de curățat la mașină.
► **Fig.30**

4. Setări comutatorul de stare de așteptare de pe aparatul de curățat pe „AUTO”.
► **Fig.31:** 1. Comutator de stare de așteptare

5. Apăsăți scurt butonul de activare wireless de pe mașină. Lampa de activare wireless va lumina intermitent cu albastru.

► **Fig.32:** 1. Buton de activare wireless 2. Lampă de activare wireless

6. Porniți mașina. Verificați dacă aparatul de curățat funcționează în timp ce mașina este în funcțiune.

⚠ATENȚIE: Verificați întotdeauna dacă funcția de activare wireless funcționează înainte de a începe utilizarea mașinii.

Pentru a opri activarea wireless, apăsați butonul de activare wireless de pe mașină sau setați comutatorul de stare de așteptare de pe aparatul de curățat pe „I” sau „O”.

NOTĂ: Lampa de activare wireless de pe mașină va înceta să lumineze intermitent cu albastru atunci când nu există funcționare timp de 2 ore. În acest caz, setați comutatorul de stare de așteptare de pe aparatul de curățat pe „AUTO” și apăsați din nou butonul de activare wireless.

NOTĂ: Aparatul de curățat pornește/se oprește cu o amănare. Există o întârziere atunci când aparatul de curățat detectează o operație de comutare a mașinii.

NOTĂ: Distanța de transmisie a unității wireless poate varia în funcție de locație și circumstanțele aferente.

NOTĂ: Atunci când două sau mai multe mașini sunt înregistrate la un aparat de curățat, acesta poate începe să funcționeze chiar dacă nu porniți mașina, deoarece un alt utilizator folosește funcția de activare wireless.

Anularea înregistrării mașinii pentru aparatul de curățat

Efectuați următoarea procedură atunci când anulați înregistrarea mașinii pentru aparatul de curățat.

1. Instalați unitățile wireless la aspirator și la mașină.
2. Instalați acumulatorii la aparatul de curățat și la mașină.
3. Setări comutatorul de stare de așteptare de pe aparatul de curățat pe „AUTO”.

► **Fig.33:** 1. Comutator de stare de așteptare

4. Apăsăți butonul de activare wireless de pe aparatul de curățat timp de 6 secunde. Lampă de activare wireless luminează intermitent cu verde și apoi devine roșie. După aceasta, apăsați butonul de activare wireless de pe mașină în același mod.

► **Fig.34:** 1. Buton de activare wireless 2. Lampă de activare wireless

Dacă anularea este efectuată cu succes, lămpile de activare wireless se vor aprinde cu roșu timp de 2 secunde și vor începe să lumineze intermitent cu albastru.

NOTĂ: Lămpile de activare wireless încetează să lumineze intermitent cu roșu după scurgerea a 20 de secunde. Apăsăți butonul de activare wireless de pe mașină în timp ce lampa de activare wireless de pe aparatul de curățat luminează intermitent. Dacă lampa de activare wireless nu luminează intermitent cu roșu, apăsați scurt butonul de activare wireless și țineți-l din nou apăsat.

Ștergerea tuturor înregistrărilor mașinilor

Puteți șterge toate înregistrările mașinilor de la aparatul de curățat după cum urmează.

► **Fig.35:** 1. Comutator de stare de așteptare 2. Buton de activare wireless 3. Lampă de activare wireless











1. Instalați unitatea wireless la aspirator.
2. Instalați acumulatorii la aparatul de curățat.
3. Setări comutatorul de stare de așteptare pe „AUTO”.
4. Țineți apăsat butonul de activare wireless timp de aproximativ 6 secunde, până când lampa de activare wireless luminează intermitent cu roșu (de aproximativ două ori pe secundă).
5. Atunci când lampa de activare wireless începe să lumineze intermitent cu roșu, ridicați degetul de pe butonul de activare wireless. Apoi, țineți din nou apăsat butonul de activare wireless timp de aproximativ 6 secunde.
6. Atunci când lampa de activare wireless începe să lumineze intermitent rapid (de aproximativ 5 ori pe secundă) cu roșu, ridicați degetul de pe butonul de activare wireless. Atunci când lampa de activare wireless se aprinde în culoarea roșie și ulterior se stinge, toate înregistrările mașinilor sunt șterse.

NOTĂ: Dacă lampa de activare wireless nu luminează intermitent cu roșu, apăsați scurt butonul de activare wireless și încercați din nou.

Descrierea stării lămpii de activare wireless

► **Fig.36:** 1. Buton de activare wireless 2. Lampă de activare wireless

Lampa de activare wireless indică starea funcției de activare wireless. Consultați tabelul de mai jos pentru semnificația stării lămpii.

Stare	Lampă de activare wireless				Descriere
	Culoare	 Pornit	 Iluminare intermitentă	Durăță (aproximativ)	
Standby	Albastru		Aparat de curățat: continuu Mașină: 2 ore	Se așteaptă înregistrarea mașinii sau funcția de activare wireless este disponibilă. Lampa de pe aparatul de curățat luminează intermitent atunci când comutatorul de stare de așteptare este setat pe AUTO. Lampa de pe mașină luminează intermitent atunci când butonul de activare wireless este apăsat. Lampa de pe mașină se va stinge automat atunci când nu are loc nicio operație timp de 2 ore.	
			Atunci când mașina este în funcțiune.	Activarea wireless a aparatului de curățat este disponibilă și mașina este în funcțiune.	
Înregistrarea mașinii	Verde		20 secunde	Gata pentru înregistrarea mașinii. Se caută mașina pentru înregistrare.	
			2 secunde	Înregistrarea mașinii a fost finalizată. Lampa de activare wireless va începe să lumineze intermitent cu albastru.	
Anularea/ștergerea înregistrării mașinii	Roșu	 (lent: de 2 ori/sec.)	20 secunde	Gata pentru anularea înregistrării mașinii. Se caută mașina pentru anulare.	
		 (rapid: de 5 ori/sec.)	Atunci când butonul de activare wireless este apăsat.	Gata pentru ștergerea tuturor înregistrărilor mașinilor.	
			2 secunde	Înregistrarea mașinii a fost anulată/ștearsă. Lampa de activare wireless va începe să lumineze intermitent cu albastru.	
Altele	Roșu		3 secunde	Unitatea wireless este alimentată cu energie și se lansează funcția de activare wireless.	
	Oprit	-	-	Comutatorul de stare de așteptare nu este setat pe „AUTO”.	

Depanarea funcției de activare wireless

Înainte de a solicita reparații, efectuați mai întâi propria inspecție. În cazul în care găsiți o problemă care nu este explicată în manual, nu încercați să demontați echipamentul. În schimb, adresați-vă Centrelor de service autorizate Makita, utilizând întotdeauna piese de schimb Makita pentru reparații.

Stare de anormalitate	Cauză probabilă (defecțiune)	Remediu
Lampa de activare wireless nu se aprinde/nu luminează intermitent.	Unitatea wireless nu este instalată la aspirator și/sau la mașină. Unitatea wireless este instalată necorespunzător la aspirator și/sau la mașină.	Instalați corect unitatea wireless.
	Butonul de activare wireless de pe mașină nu a fost apăsat.	Apăsați scurt butonul de activare wireless de pe mașină.
	Comutatorul de stare de așteptare de pe aparatul de curățat nu este setat pe „AUTO”.	Setați comutatorul de stare de așteptare de pe aparatul de curățat pe „AUTO”.
	Nicio sursă de alimentare	Alimentați cu energie mașina și aparatul de curățat.
Înregistrarea mașinii/anularea înregistrării mașinii nu poate fi finalizată cu succes.	Unitatea wireless nu este instalată la aspirator și/sau la mașină. Unitatea wireless este instalată necorespunzător la aspirator și/sau la mașină.	Instalați corect unitatea wireless.
	Comutatorul de stare de așteptare de pe aparatul de curățat nu este setat pe „AUTO”.	Setați comutatorul de stare de așteptare de pe aparatul de curățat pe „AUTO”.
	Nicio sursă de alimentare	Alimentați cu energie mașina și aparatul de curățat.
	Funcționare incorectă	Apăsați scurt butonul de activare wireless și efectuați din nou procedurile de înregistrare/anulare.
	Mașina și aparatul de curățat se află la distanță unul de celălalt (în afara ariei de transmisie).	Aduceți mașina și aparatul de curățat mai aproape unul de celălalt. Distanța maximă de transmisie este de aproximativ 10 m, însă aceasta poate varia în funcție de circumstanțe.
	Înainte de încheierea înregistrării/anulării mașinii; - comutatorul mașinii este activat sau; - butonul de pornire de pe aparatul de curățat este activat.	Apăsați scurt butonul de activare wireless și efectuați din nou procedurile de înregistrare/anulare.
	Procedurile de înregistrare a mașinii pentru mașină sau aparatul de curățat nu au fost finalizate.	Efectuați procedurile de înregistrare a mașinii pentru mașină și aspirator în același timp.
	Perturbații radioelectrice de la alte aparate care generează unde radio de mare intensitate.	Țineți mașina și aparatul de curățat la distanță de aparate precum dispozitive Wi-Fi și cuptoare cu microunde.
Aparatul de curățat nu funcționează odată cu operația de comutare a mașinii.	Unitatea wireless nu este instalată la aspirator și/sau la mașină. Unitatea wireless este instalată necorespunzător la aspirator și/sau la mașină.	Instalați corect unitatea wireless.
	Butonul de activare wireless de pe mașină nu a fost apăsat.	Apăsați scurt butonul de activare wireless și asigurați-vă că lampa de activare wireless luminează intermitent cu albastru.
	Comutatorul de stare de așteptare de pe aparatul de curățat nu este setat pe „AUTO”.	Setați comutatorul de stare de așteptare de pe aparatul de curățat pe „AUTO”.
	La aparatul de curățat sunt înregistrate mai mult de 10 mașini.	Efectuați din nou înregistrarea mașinii. Dacă la aparatul de curățat sunt înregistrate mai mult de 10 mașini, mașina înregistrată prima va fi anulată automat.
	Aparatul de curățat a șters toate înregistrările mașinii.	Efectuați din nou înregistrarea mașinii.
	Nicio sursă de alimentare	Alimentați cu energie mașina și aparatul de curățat.
	Mașina și aparatul de curățat se află la distanță unul de celălalt (în afara ariei de transmisie).	Aduceți mașina și aparatul de curățat mai aproape unul de celălalt. Distanța maximă de transmisie este de aproximativ 10 m, însă aceasta poate varia în funcție de circumstanțe.
	Perturbații radioelectrice de la alte aparate care generează unde radio de mare intensitate.	Țineți mașina și aparatul de curățat la distanță de aparate precum dispozitive Wi-Fi și cuptoare cu microunde.

Stare de anomalitate	Cauză probabilă (defecțiune)	Remediu
Aparatul de curățat funcționează atunci când mașina nu este în funcțiune.	Alți utilizatori folosesc activarea wireless a aparatului de curățat cu mașinile acestora.	Opriiți butonul de activare wireless al celorlalte mașini sau anulați înregistrarea celorlalte mașini.
Nu se pot șterge toate înregistrările mașinilor de la aparatul de curățat.	Apăsarea butonului wireless de pe mașină.	Apăsați butonul wireless de pe aparatul de curățat pentru ștergerea tuturor înregistrărilor mașinilor.
	Comutatorul de stare de așteptare de pe aparatul de curățat nu este setat pe „AUTO”.	Setați comutatorul de stare de așteptare de pe aparatul de curățat pe „AUTO”.
	Butonul de activare wireless nu este ținut apăsat în mod corect.	Țineți apăsat butonul de activare wireless timp de peste 6 secunde și apoi eliberați-l atunci când lampa de activare wireless luminează intermitent cu roșu. Țineți din nou apăsat butonul de activare wireless timp de peste 6 secunde până când butonul de activare wireless luminează intermitent rapid cu roșu și apoi eliberați butonul.

ÎNTREȚINERE

⚠️ AVERTIZARE: Utilizați întotdeauna o mască de respirat P2 la efectuarea întreținerii.

⚠️ ATENȚIE: Asigurați-vă întotdeauna că aparatul este oprit și cartușele acumulatorului sunt scoase, înainte de a executa lucrări de inspecție sau întreținere.

⚠️ ATENȚIE: Inspecția tehnică, inclusiv inspecția filtrelor, a etanșeității la aer și a mecanismului de comandă, trebuie să fie efectuată cel puțin o dată pe an de către o persoană instruită.

⚠️ ATENȚIE: În timpul întreținerii, toate elementele contaminate care nu pot fi curățate în mod satisfăcător trebuie eliminate. Astfel de elemente trebuie eliminate în saci impermeabili care respectă reglementările din țara dumneavoastră.

⚠️ ATENȚIE: După operațiunea în zona periculoasă, exteriorul aparatului trebuie decontaminat prin metode de aspirare și trebuie șters sau tratat cu un material de etanșare înainte de a scoate aparatul din zona periculoasă. Toate piesele aparatului trebuie considerate contaminate atunci când sunt scoase din zona periculoasă și trebuie luate măsuri adecvate pentru a preveni dispersarea prafului.

⚠️ ATENȚIE: Schimbați filtrele atunci când sunt înfundate cu praf sau când considerați că performanța aspiratorului a scăzut.

⚠️ ATENȚIE: Verificați filtrele periodic. Dacă există rupturi, înlocuiți imediat filtrele.

NOTĂ: Nu utilizați niciodată gazolină, benzină, diluant, alcool sau alte substanțe asemănătoare. În caz contrar, pot rezulta decolorări, deformări sau fisuri.

Pentru a menține SIGURANȚA și FIABILITATEA produsului, reparațiile și orice alte lucrări de întreținere sau reglare trebuie executate de centre de service Makita autorizate sau proprii, folosind întotdeauna piese de schimb Makita.

Demontarea unității de filtrare

⚠️ ATENȚIE: Așteptați aproximativ 5 minute pentru ca praful din rezervor să se așeze complet.

⚠️ ATENȚIE: Aveți grijă să nu lăsați praful să intre în capacul rezervorului atunci când scoateți unitatea de filtrare.

Unitatea de filtrare este fixată pe unitatea principală. Aceasta este alcătuită din placa superioară, prefiltre, amortizoare și filtrele de pudră.

1. Eliberați cârligele de blocare și ridicați unitatea principală de pe rezervor.
2. Scoateți unitatea de filtrare din unitatea principală, astfel cum se arată în figură.

► Fig.37: 1. Încuetoare 2. Unitate de filtrare

Demontarea filtrului de pudră și a prefiltrului

Ridicați butonul rotativ și scoateți filtrele de pe placa superioară.

► Fig.38: 1. Placa superioară 2. Filtre 3. Buton rotativ

Pentru a preveni plutirea prafului în aer, este preferabilă îndepărtarea filtrelor în sacul din polietilenă.

Atunci când transportați unitatea de filtrare pentru a o curăța, legați bine sacul din polietilenă.

► Fig.39: 1. Unitate de filtrare 2. Sac din polietilenă

► Fig.40: 1. Placa superioară 2. Filtre 3. Sac din polietilenă

Curățarea filtrului de pudră, a prefiltrului și a amortizorului

Curățați în mod regulat filtrele și amortizorul. Filtrele și amortizorul înfundate pot avea ca rezultat performanțe de aspirare slabe.

Curățați în mod regulat praful acumulat de filtre și de amortizor.

Spălați din când în când filtrul de pudră, prefiltrul și amortizorul în apă, clătiți și uscați bine la umbră înainte de utilizare. Nu le spălați niciodată în mașina de spălat.

► Fig.41

NOTĂ: Evitați frecarea sau zgărirea filtrului de pudră, a prefiltrului sau a amortizorului cu obiecte dure, precum o perie sau racletă.

NOTĂ: Filtrele se uzează în timp. Se recomandă să aveți câteva piese de schimb pentru acestea.

Instalarea filtrului de pudră și a prefiltrului

NOTĂ: Filtrul de pudră și prefiltrul pot capta atât pulberi uscate, cât și pulberi umede. Asigurați-vă că senzorii de nivel al apei se activează corect pentru a preveni deteriorarea filtrului de pudră.

Agățați marginile unității de filtrare de placa superioară, apoi coborâți butonul rotativ.

► **Fig.42:** 1. Margine 2. Buton rotativ

NOTĂ: Înainte de a utiliza filtrul de pudră, asigurați-vă că prefiltrul și amortizorul sunt întotdeauna utilizate împreună. Nu este permisă instalarea doar a filtrului de pudră.

Asamblarea filtrelor

Când primiți filtrele separat, asamblați-le așa cum se arată în figură.

► **Fig.43:** 1. Filtru de pudră 2. Amortizor 3. Prefiltru

Instalarea unității de filtrare

După instalarea filtrelor pe placa superioară, agățați orificiile unității de filtrare de părțile în formă de U ale capacului interior. Apoi, blocați încuietoarea, așa cum se arată în figură.

► **Fig.44:** 1. Parte în formă de U 2. Orificiu 3. Încuietoare

Instalarea filtrului de apă

Accesorii opționale

NOTĂ: Pentru a colecta praful umed, asigurați-vă că senzorii de nivel al apei se activează corect.

NOTĂ: Nu utilizați prefiltrul și amortizorul atunci când folosiți filtrul de apă.

Pentru a colecta numai apă sau praf umed, filtrul de apă este mai potrivit decât filtrul de pudră și prefiltrul.

Când instalați filtrul de apă, montați filtrul de apă pe placa superioară la fel ca filtrul de pudră și prefiltrul.

► **Fig.45**

NOTĂ: Se recomandă utilizarea filtrului de apă atunci când colectați în mod repetat cantități mari de apă. În caz contrar, capacitatea de aspirare poate fi redusă în cazul filtrului de pudră și a prefiltrului.

Curățarea senzorilor de nivel al apei

Senzorii de nivel al apei detectează lichidul atunci când rezervorul se umple cu lichid. Curățați periodic senzorii de nivel al apei cu o cârpă moale atunci când schimbați filtrele.

► **Fig.46:** 1. Senzor de nivel al apei

Depozitarea accesoriilor

Accesoriile și piesele auxiliare neutilizate, cum ar fi duzele țevile și capacul pot fi agățate în cârligul de pe partea din spate a aspiratorului.

► **Fig.47:** 1. Accesorii și piese auxiliare neutilizate 2. Capac

Țevile (cu opritor opțional instalat) pot fi plasate în suportul țevii atunci când nu folosiți aspiratorul pentru o perioadă scurtă de timp.

► **Fig.48:** 1. Opritor (accesoriu opțional) 2. Suport țevă

Un furtun poate fi înfășurat și depozitat în jurul carcasei sau mânerului aspiratorului în bucle mari. Conectați ambele capete împreună pentru a face bucle și agățați buclele de mânerul ridicat. Alternativ, păstrați capătul în orificiul de admisie al furtunului și agățați buclele de cârligul multiplu cu capătul liber legat.

► **Fig.49**

► **Fig.50**

ACCESORII OPȚIONALE

⚠ATENȚIE: Folosiți accesoriile sau piesele auxiliare recomandate pentru mașina dumneavoastră Makita în acest manual. Utilizarea oricăror alte accesorii sau piese auxiliare poate prezenta risc de vătămare corporală. Utilizați accesoriile și piesele auxiliare numai în scopul destinat.

Dacă aveți nevoie de asistență sau de mai multe detalii referitoare la aceste accesorii, adresați-vă centrului local de service Makita.

- Furtun
- Garnitură frontală (22, 24, 38)
- Țevă dreaptă
- Duză pentru colțuri
- Perie rotundă
- Filtru de pudră M, H (HEPA)
- Amortizor
- Prefiltru
- Filtru de apă
- Ansamblu duză
- Țevă curbată
- Sac din polietilenă
- Sac filtrant
- Capac
- Acumulator și încărcător original Makita
- Unitate wireless
- MAKPAC

NOTĂ: Unele articole din listă pot fi incluse ca accesorii standard în ambalajul de scule. Acestea pot diferi în funcție de țară.

ПОПЕРЕДЖЕННЯ

- Цей пристрій не призначений для використання дітьми й особами з обмеженими фізичними, сенсорними або розумовими можливостями, а також особами, яким не вистачає відповідних знань і досвіду.
- Не допускайте, щоб діти гралися з пілососом.
- Тип акумулятора див. у розділі «ТЕХНІЧНІ ХАРАКТЕРИСТИКИ».
- Інструкції щодо встановлення та зняття акумулятора див. у розділі «Встановлення та зняття касети з акумулятором».
- Для утилізації касети з акумулятором витягніть її з інструмента та утилізуйте безпечним способом. Дотримуйтеся норм місцевого законодавства щодо утилізації акумуляторів.
- Якщо інструментом не користуватимуться протягом тривалого періоду часу, вийміть акумулятор з інструмента.
- Не закоротіть касету з акумулятором.
- Відомості про заходи безпеки під час обслуговування виробу користувачем див. у розділі «ТЕХНІЧНЕ ОБСЛУГОВУВАННЯ».

ТЕХНІЧНІ ХАРАКТЕРИСТИКИ

Модель:		VC006GM
Максимальна витрата повітря на кінці шлангу	Зі шлангом BL4050F, ø28 мм × 3,5 м	2,0 м ³ /хв
	Зі шлангом BL4050F, ø38 мм × 2,5 м	3,7 м ³ /хв
Максимальна витрата повітря в турбіні (з BL4050F)		4,9 м ³ /хв
Вакуум (з BL4050F)		18 кПа
Відновлювана місткість	Пил	40 л
	Вода	30 л
Розміри (Д × Ш × В)		586 мм × 385 мм × 598 мм
Номінальна напруга		72 В – макс. 80 В пост. струму.
Маса нетто		18,4 – 20,8 кг
Ступінь захисту		IPX4

- Оскільки наша програма наукових досліджень і розробок триває безперервно, наведені тут технічні характеристики можуть бути змінені без попередження.
- У різних країнах технічні характеристики можуть бути різними.
- Вагу вказано без урахування ваги додаткового приладдя, окрім касет з акумулятором. Найменші й найбільші значення сукупної ваги пристрою та касет з акумулятором наведено в таблиці.

Застосовна касета з акумулятором і зарядний пристрій

Касета з акумулятором	BL4020 / BL4025 / BL4040* / BL4050F* / BL4080F* *: рекомендований акумулятор
Зарядний пристрій	DC40RA / DC40RB / DC40RC

- Деякі касети з акумулятором і зарядні пристрої, які вказано вище, можуть бути недоступними залежно від вашого регіону або місця перебування.

⚠ ПОПЕРЕДЖЕННЯ: Використовуйте лише касети з акумулятором і зарядні пристрої, зазначені вище. Використання будь-яких інших касет з акумулятором і зарядних пристроїв може призвести до травмування й/або пожежі.

Символи

Далі наведено символи, які можуть застосовуватися для позначення обладнання. Перед користуванням переконайтеся, що ви розумієте їхнє значення.



Читайте посібник з експлуатації.



Будьте особливо уважні та обережні!



Попередження! Пілосос може містити небезпечний пил.



Ніколи не ставайте на пілосос.



Ніколи не кладіть на пілосос нічого важчого за 20 кг (44 фунти).



Клас пилу M (середній): для відділення пилу з граничним значенням професійного впливу не менше 0,1 мг/м³. Пілососи здатні збирати пил класу L і M. Дотримуйтеся чинних у вашій країні вказівок відносно належних заходів безпеки та гігієни праці під час збирання пилу.



Тільки для країн ЄС
Через наявність в обладнанні небезпечних компонентів відходи електричного та електронного обладнання, акумулятори та батареї можуть негативно впливати на навколишнє середовище та здоров'я людини.

Не викидайте електричні та електронні прилади або батареї разом з побутовими відходами!

Відповідно до директиви ЄС стосовно відходів електричного та електронного обладнання, акумуляторів, батарей та відходів акумуляторів і батарей, а також відповідно до її адаптації до національного законодавства, відходи електричного обладнання, батареї та акумулятори слід зберігати окремо й доставляти на пункт роздільного збору комунальних відходів, який працює з дотриманням правил охорони навколишнього середовища.

Це позначено символом у вигляді перекресленого сміттевого контейнера з колесами, нанесеним на обладнання.

Призначення

Прилад призначено для збирання як вологого, так і сухого пилу. Цей прилад придатний для комерційного застосування, наприклад у готелях, школах, лікарнях, на заводах, в офісах, у магазинах і в прокатному бізнесі.

Шум

Рівень шуму за шкалою А в типовому виконанні, визначений відповідно до стандарту EN60335-2-69: Рівень звукового тиску (L_{рА}): 70 дБ (А) чи менше Похибка (K): 2,5 дБ (А)

Рівень шуму під час роботи може перевищувати 80 дБ (А).

ПРИМІТКА: Заявлене значення шуму було виміряно відповідно до стандартних методів тестування й може використовуватися для порівняння одного інструмента з іншим.

ПРИМІТКА: Заявлене значення шуму може також використовуватися для попереднього оцінювання впливу.

ПОПЕРЕДЖЕННЯ: Користуйтеся засобами захисту органів слуху.

ПОПЕРЕДЖЕННЯ: Залежно від умов використання рівень шуму під час фактичної роботи електроінструмента може відрізнятися від заявленого значення вібрації; особливо сильно на це впливає тип деталі, що оброблюється.

ПОПЕРЕДЖЕННЯ: Забезпечте належні запобіжні заходи для захисту оператора, що відповідатимуть умовам використання інструмента (слід брати до уваги всі складові робочого циклу, як-от час, коли інструмент вимкнено та коли він починає працювати на холостому ході під час запуску).

Вібрація

Загальна величина вібрації (векторна сума трьох напрямків) визначена згідно з EN60335-2-69: Вібрація (a_{h,M}): 2,5 м/с² або менше Похибка (K): 1,5 м/с²

ПРИМІТКА: Заявлене загальне значення вібрації було виміряно відповідно до стандартних методів тестування й може використовуватися для порівняння одного інструмента з іншим.

ПРИМІТКА: Заявлене загальне значення вібрації може також використовуватися для попереднього оцінювання впливу.

ПОПЕРЕДЖЕННЯ: Залежно від умов використання вібрація під час фактичної роботи електроінструмента може відрізнятися від заявленого значення вібрації; особливо сильно на це впливає тип деталі, що оброблюється.

ПОПЕРЕДЖЕННЯ: Забезпечте належні запобіжні заходи для захисту оператора, що відповідатимуть умовам використання інструмента (слід брати до уваги всі складові робочого циклу, як-от час, коли інструмент вимкнено та коли він починає працювати на холостому ході під час запуску).

Декларація про відповідність стандартам ЄС

Тільки для країн Європи

Декларацію про відповідність стандартам ЄС наведено в Додатку А до цієї інструкції з експлуатації.

ПОПЕРЕДЖЕННЯ ПРО ДОТРИМАННЯ ТЕХНІКИ БЕЗПЕКИ

Попередження про необхідну обережність під час роботи з акумуляторним пирососом

▲ ПОПЕРЕДЖЕННЯ: ВАЖЛИВО!

ПРОЧИТАЙТЕ УВАЖНО всі попередження про необхідну обережність під час роботи та всі інструкції **ПЕРЕД ВИКОРИСТАННЯМ**.

Недотримання попереджень та інструкцій може призвести до ураження електричним струмом, до виникнення пожежі та/або до отримання серйозних травм.

1. Перед початком експлуатації переконайтеся в тому, що користувача належним чином проінструктовано стосовно роботи із цим пирососом.
2. Перед початком експлуатації оператори мають ознайомитися з інформацією, інструкціями та пройти підготовку з експлуатації машини й використання речовин, для роботи з якими призначена ця машина, включаючи безпечний спосіб збору й видалення зібраного матеріалу.
3. У разі витікання піни або рідини з пирососа негайно його вимкніть.
4. Регулярно чистьте обмежувач рівня води й перевіряйте його на ознаки пошкодження.
5. Перед використанням обов'язково переконайтеся, що фільтри встановлено належним чином. Не користуйтеся пирососом без правильно встановлених фільтрів. Пошкоджений фільтр підлягає негайній заміні. Рекомендовано мати кілька запасних фільтрів, оскільки фільтри належать до витратних матеріалів.
6. **УНИКАЙТЕ ВИПАДКОВОГО ВВИМКНЕННЯ.** Переконайтеся, що перемикач пирососа знаходиться у вимкненому положенні, коли встановлюєте акумулятор(и).
7. Не намагайтеся збирати легкозаймисті матеріали, петарди, запалені сигарети, гарячий попіл, гарячу металеву стружку, гострі речі, як-от леза, голки, розбите скло тощо.
8. **НІКОЛИ НЕ ВИКОРИСТОВУЙТЕ ПИЛОСОС ПОРЯД ІЗ БЕНЗИНОМ, ГАЗОМ, ФАРБОЮ, КЛЕЄМ АБО ІНШИМИ ВИБУХОВИМИ РЕЧОВИНАМИ.** Перемикач випускає іскри під час вмикання або вимкання. Колектор двигуна також іскрить під час роботи. Існує небезпека вибуху.
9. Ніколи не збирайте пирососом токсичні, канцерогенні, легкозаймисті або інші небезпечні речовини, такі як азбест, миш'як, барій, берилій, свинець, пестициди або інші шкідливі для здоров'я речовини.
10. Завжди розміщуйте пиросос на горизонтальній рівній поверхні для запобігання його падінню або випадковому переміщенню.
11. Ніколи не використовуйте пиросос просто неба під дощем.
12. Для Фінляндії: пристрій не слід використовувати поза приміщенням при низькій температурі.
13. Заборонено використовувати пристрій поблизу джерел тепла (плит тощо).
14. Якщо повітря, що виходить із пристрою, повертається в приміщення, необхідно забезпечити в приміщенні достатній повітрообмін. Необхідно дотримуватися державних норм.
15. Не блокуйте отвір усмоктування, вихідні отвори або вентиляційні отвори. Завдяки цим отворах відбувається охолодження двигуна. Слід уникати блокування цих отворів, інакше двигун займеться через нестачу вентиляції.
16. Завжди твердо стійте на ногах і тримайте рівновагу.
17. Не згинайте, не смикайте й не ставайте на шланг.
18. Негайно зупиняйте роботу пирососа, якщо ви помітили, що він працює неналежним чином, або помітили щось незвичне.
19. **ВИТЯГНІТЬ АКУМУЛЯТОР(И).** Коли пристрій не використовується, перед технічним обслуговуванням та під час заміни приладдя.
20. Чистьте й обслуговуйте пиросос одразу після кожного використання, щоб тримати його у відмінному робочому стані.
21. **ТРИМАЙТЕ ПИЛОСОС У НАЛЕЖНОМУ СТАНІ.** Тримайте пиросос у чистоті для забезпечення кращої та безпечнішої роботи. Дотримуйтеся інструкцій із заміни приладдя. Ручки мають бути сухими, чистими й не забрудненими мастилом або жиром.
22. **ПЕРЕВІРЯЙТЕ ПОШКОДЖЕНІ ДЕТАЛІ.** Перш ніж продовжувати використання пирососа, слід перевірити захисний пристрій чи іншу пошкоджену деталь, щоб переконалися в тому, що вони можуть далі виконувати свої функції належним чином. Переконайтеся в співвідносності, відсутності пошкодження рухомих деталей, надійності кріплення й відсутності інших дефектів, які можуть вплинути на роботу інструмента. Ремонтувати або замінювати захисний пристрій чи інші пошкоджені деталі має авторизований сервісний центр, якщо інше не зазначено в цій інструкції. Пошкоджені перемикачі необхідно замінювати в авторизованому сервісному центрі. Не використовуйте пиросос, якщо його перемикач не працює.
23. Примітка щодо самостійного обслуговування: пристрій необхідно демонтувати, очистити й виконати його технічне обслуговування, наскільки цього можна досягнути практично, без ризику для обслуговуючого персоналу та інших осіб.

24. Виробник або підготовлений фахівець мають не рідше одного разу на рік проводити технічну перевірку машини, зокрема огляд фільтрів на відсутність пошкодження, перевірку герметичності машини та належного функціонування механізму керування.
25. Під час виконання робіт з обслуговування або ремонту всі забруднені елементи, задовільне очищення яких неможливе, слід утилізувати. Такі елементи слід скласти в непрозорі мішки відповідно до чинних положень щодо утилізації таких відходів.
26. ЗАПЧАСТИНИ. Під час обслуговування використовуйте тільки ідентичні запчастини.
27. ЗБЕРІГАННЯ ВИМКНЕНОГО ПИЛОСОСА. Коли пилосос не використовується, його слід зберігати в приміщенні.
28. Вологі фільтри й внутрішню частину ємності для рідини необхідно висушити, оскільки їх дозволяється зберігати тільки в сухому вигляді.
29. Поводьтеся з пилососом обережно. Грубе поводження може спричинити поломку навіть найміцнішого пилососа.
30. Не намагайтеся почистити пилосос ззовні або зсередини бензином, розчинником або мийними засобами. Це може спричинити появу тріщин і зміну кольору.
31. Не використовуйте пилосос у закритому приміщенні, де масляні фарби, розчинники, бензин, деякі засоби проти молі тощо можуть виділяти легкозаймисті, вибухонебезпечні або токсичні випаровування, або в місцях, де є легкозаймистий пил.
32. Не використовуйте цей або будь-який інший інструмент, коли знаходиться під дією алкоголю або лікарських препаратів.
33. Загальним правилом безпеки є використання захисних окулярів або окулярів із бічними захисними щитками.
34. Використовуйте протипиловий респіратор під час роботи в запиленних умовах.
35. Цей пристрій не призначений для використання дітьми й особами з обмеженими фізичними, сенсорними або розумовими можливостями, а також особами, яким не вистачає відповідних знань і досвіду.
36. Не допускайте, щоб діти гралися з пилососом.
37. Ніколи не беріться за акумулятор(и) або пилосос вологими руками.
38. Будьте особливо обережні під час прибирання на сходах.
39. Не використовуйте пилосос як стілець або верстат. В іншому випадку це може призвести до отримання травм унаслідок падіння пристрою.

Використання та обслуговування акумуляторних інструментів

1. Перезаряджайте акумулятор лише за допомогою зарядного пристрою, вказаного виробником. Зарядний пристрій, який підходить для одного типу акумуляторів, може призвести до пожежі при використанні з акумулятором іншого типу.

2. Використовуйте електроінструменти лише з акумуляторами того типу, який призначений саме для цих електроінструментів. Використання акумуляторів інших типів може призвести до отримання травм і виникнення пожежі.
3. Коли акумулятор не використовується, тримайте його подалі від таких металевих предметів, як скріпки, монети, металі, цвяхи, шурупи тощо, які можуть замкрити клемми акумулятора. Замикання клем акумулятора може призвести до отримання опіків або пожежі.
4. За неналежних умов зберігання з акумулятора може витекти рідина, контакту з якою слід уникати. У разі випадкового потрапляння рідини на тіло відповідну частину тіла слід промити водою. Якщо рідина потрапила в очі, їх слід промити водою, після чого необхідно звернутися до лікаря. Рідина, що витікає з акумулятора, може спричинити подразнення або опіки.
5. Не користуйтеся акумулятором або інструментом, які було змінено чи пошкоджено. Експлуатація акумуляторів, що їх було пошкоджено або до конструкції яких було внесено зміни, може бути небезпечною і може спричинити пожежу, вибух або травму.
6. Не піддавайте акумулятор або інструмент впливу вогню чи надмірної температури. Вплив вогню або температури вище 130° C може спричинити вибух.
7. Дотримуйтеся усіх вказівок із заряджання й не заряджайте акумулятор або інструмент за температури за межами зазначеного в інструкції діапазону. Неправильне заряджання або заряджання за межами вказаного температурного діапазону може призвести до пошкодження акумулятора й підвищити небезпеку займання.

ЗБЕРІГАЙТЕ ЦІ ВКАЗІВКИ.

▲ ПОПЕРЕДЖЕННЯ: НІКОЛИ НЕ втрачайте пильності та не розслабляйтеся під час користування виробом (що можливо при частому користуванні); обов'язково строго дотримуйтеся відповідних правил безпеки. **НЕНАЛЕЖНЕ ВИКОРИСТАННЯ** або недотримання правил техніки безпеки, викладених у цій інструкції з експлуатації, може призвести до серйозних травм.

Важливі інструкції з безпеки для касети з акумулятором

1. Перед тим як користуватися касетою з акумулятором, слід прочитати всі інструкції та застережні знаки щодо (1) зарядного пристрою акумулятора, (2) акумулятора та (3) виробів, що працюють від акумулятора.
2. Не розбирайте касету з акумулятором і не змінюйте її конструкцію. Це може призвести до пожежі, перегріву або вибуху.
3. Якщо період роботи дуже покоротшав, слід негайно припинити користування. Це може призвести до виникнення ризику перегріву, опіку та навіть вибуху.

4. У разі потрапляння електроліту в очі слід промити їх чистою водою та негайно звернутися до лікаря. Це може призвести до втрати зору.
 5. Не закоротіть касету з акумулятором.
 - (1) Не слід торкатися клем будь-яким струмопровідним матеріалом.
 - (2) Не слід зберігати касету з акумулятором у ємності з іншими металевими предметами, такими як цвяхи, монети тощо.
 - (3) Не залишайте касету з акумулятором під дощем, запобігайте контакту з водою.
- Коротке замикання може призвести до появи значного струму, перегріву, можливих опіків та навіть виходу з ладу.
6. Не слід зберігати й використовувати інструмент і касету з акумулятором у місцях, де температура може сягнути чи перевищити 50 °C (122 °F).
 7. Не слід спалювати касету з акумулятором, навіть якщо вона була неодноразово пошкоджена або повністю спрацьована. Касета з акумулятором може вибухнути у вогні.
 8. Заборонено забивати цвяхи в касету з акумулятором, різати, ламати, кидати, впускати касету з акумулятором або вдаряти її твердим предметом. Це може призвести до пожежі, перегріву або вибуху.
 9. Не слід використовувати пошкоджений акумулятор.
 10. Літій-іонні акумулятори, що містяться в інструменті, мають відповідати вимогам законів про небезпечні товари.

Під час транспортування за допомогою комерційних перевезень, наприклад із залученням третьої сторони та експедиторів, необхідно дотримуватись особливих вимог, вказаних на пакуванні й у маркуванні.

Під час підготування позиції до відправлення необхідно проконсультуватись зі спеціалістом з небезпечних матеріалів. Крім того, слід виконувати більш докладні національні настанови, якщо такі є. Заклейте відкриті контакти стрічкою або заховайте їх і запакуйте акумулятор таким чином, щоб він не міг рухатися в пакуванні.

11. Для утилізації касети з акумулятором витягніть її з інструмента та утилізуйте безпечним способом. Дотримуйтеся норм місцевого законодавства щодо утилізації акумуляторів.
12. Використовуйте акумулятори лише з виробами, указаними компанією Makita. Установлення акумуляторів у невідповідні виробы може призвести до пожежі, надмірного нагрівання, вибуху чи витоку електроліту.
13. Якщо інструментом не користуватимуться протягом тривалого періоду часу, вийміть акумулятор з інструмента.
14. Під час і після використання касета з акумулятором може нагріватися, що може стати причиною опіків або низькотемпературних опіків. Будьте обережні під час поводження з гарячою касетою з акумулятором.
15. Не торкайтеся контактів інструмента відразу після використання, оскільки він може бути досить гарячим, щоб викликати опіки.
16. Не допускайте, щоб уламки, пил або земля прилипали до контактів, отворів і пазів на касеті з акумулятором. Це може призвести до перегріву, займання, вибуху та виходу з ладу інструмента або касети з акумулятором і спричинити опіки або травми.
17. Якщо інструмент не розраховано на використання поблизу високовольтних ліній електропередач, не використовуйте касету з акумулятором поблизу високовольтних ліній електропередач. Це може призвести до несправності, поломки інструмента або касети з акумулятором.
18. Тримайте акумулятор у недоступному для дітей місці.

ЗБЕРІГАЙТЕ ЦІ ВКАЗІВКИ.

⚠ОБЕРЕЖНО: Використовуйте тільки акумулятори Makita. Використання акумуляторів, інших ніж оригінальні акумулятори Makita, або акумуляторів, конструкцію яких було змінено, може призвести до вибуху акумулятора і спричинити пожежу, травму або пошкодження. У зв'язку з цим також буде анульовано гарантію Makita на інструмент Makita і на зарядний пристрій.

Поради з забезпечення максимального строку експлуатації акумулятора

1. Касету з акумулятором слід заряджати до того, як він розрядиться повністю. Завжди слід зупиняти роботу інструмента та зарядити акумулятор, якщо ви помітили зменшення потужності інструмента.
2. Ніколи не слід заряджати повторно повністю заряджену касету з акумулятором. Перезарядження скорочує строк експлуатації акумулятора.
3. Заряджайте касету з акумулятором при кімнатній температурі 10°C - 40°C (50°F - 104°F). Перед тим як заряджати касету з акумулятором, слід зачекати, доки вона охолоне.
4. Коли касета з акумулятором не використовується, виймайте її з інструмента або зарядного пристрою.
5. Якщо касета з акумулятором не використовувалася тривалий час (понад шість місяців), її слід зарядити.

Важливі інструкції з безпеки для бездротового модуля

1. Після встановлення бездротового модуля ніколи не відкривайте кришку відсіку самостійно.
2. Не розбирайте бездротовий модуль і не намагайтесь втручатися в його роботу.
3. Зберігайте бездротовий модуль у недоступному для дітей місці. При випадковому проковтуванні негайно зверніться до лікаря.

4. Використовуйте бездротовий модуль лише з інструментами Makita.
5. Не тримайте бездротовий модуль під дощем або в умовах підвищеної вологості.
6. Не використовуйте бездротовий модуль у місцях, де температура перевищує 50°C.
7. Не використовуйте бездротовий модуль неподалік від медичних приборів, таких як кардіостимулятори.
8. Не використовуйте бездротовий модуль поруч з автоматизованими пристроями. Таке використання може спричинити збої або помилки в роботі автоматизованих пристроїв.
9. Не використовуйте бездротовий модуль у місцях, де він може піддаватися впливу високої температури, статичної електрики або електричних перешкод.
10. Бездротовий модуль може генерувати електромагнітні поля (ЕМП), нешкідливі для користувача.
11. Бездротовий модуль є точним інструментом. Будьте уважні, щоб не впустити або не вдарити бездротовий модуль.
12. Не торкайтеся контактів бездротового модуля голими руками або металевими предметами.
13. Перш ніж установлювати бездротовий модуль, обов'язково вийміть акумулятор.
14. Не відкривайте кришку відсіку в місцях, де в нього може потрапити пил або вода. Завжди тримайте вхідний отвір відсіку в чистоті.
15. Завжди вставляйте бездротовий модуль правильною стороною.
16. Не натискайте занадто сильно кнопку активації на бездротовому модулі та не робіть це гострим предметом.
17. Під час роботи завжди закривайте кришку відсіку.
18. Не виймайте бездротовий модуль із відсіку, поки на інструмент подається живлення. Це може призвести до несправності бездротового модуля.
19. Не видаляйте наклейку на бездротовому модулі.
20. Не розміщуйте будь-які наклейки на бездротовому модулі.
21. Не залишайте бездротовий модуль під впливом статичної електрики або електричних перешкод.
22. Не залишайте бездротовий модуль під впливом високої температури, наприклад на сидінні автомобіля на сонці.
23. Не залишайте бездротовий модуль у запиленому або запарошеному місці або в місці, де може утворитися корозійний газ.
24. Раптова зміна температури може призвести до конденсації вологи на бездротовому модулі. Не використовуйте бездротовий модуль, поки волога не висохне повністю.
25. Під час чищення бездротового модуля обережно протирайте його сухою м'якою тканиною. Не використовуйте бензин, розчинник, електропровідне мастило тощо.
26. Зберігайте бездротовий модуль в упаковці з комплекту постачання або в контейнері, захищеному від дії статичної електрики.
27. Не вставляйте у відсік інструмента будь-які інші пристрої, крім бездротового модуля Makita.
28. Не використовуйте інструмент із пошкодженою кришкою відсіку. Потраплення у відсік води, пилу та бруду може привести до несправності.
29. Не тягніть і не скручуйте кришку відсіку більше, ніж необхідно. Установіть кришку на місце, якщо вона від'єдналася від інструмента.
30. Замініть кришку відсіку, якщо її було загублено або пошкоджено.

ЗБЕРІГАЙТЕ ЦІ ВКАЗІВКИ.

ОПИС РОБОТИ

⚠ОБЕРЕЖНО: Перед регулюванням або перевіркою роботи приладу обов'язково переконайтеся, що прилад вимкнено, а касети з акумуляторами знято.

Встановлення та зняття касети з акумулятором

⚠ОБЕРЕЖНО: Вимикайте інструмент перед установленням або зняттям касети з акумулятором.

⚠ОБЕРЕЖНО: Під час установлення або зняття касети з акумулятором слід міцно тримати пилосос і касету з акумулятором. Якщо ви утримуватимете пилосос і касету з акумулятором недостатньо міцно, вони можуть вислизнути з рук, що може призвести до пошкодження пилососа й касети з акумулятором, а також може спричинити травми.

⚠ОБЕРЕЖНО: Не затисніть пальці, коли відкриваєте або закриваєте кришку акумулятора. Невиконання цієї вимоги може призвести до отримання травм.

Щоб установити касету з акумулятором, спершу зніміть блокування, а тоді відкрийте кришку акумуляторного відсіку. Після цього вставте касету з акумулятором.

► **Рис.1:** 1. Блокування 2. Кришка акумуляторного відсіку

Сумістіть виступ на касеті з акумулятором із пазом у корпусі й вставте касету на місце. Уставляйте її до кінця, аж доки не почуєте негучне клацання. Тоді закрийте кришку акумуляторного відсіку.

► **Рис.2:** 1. Касета з акумулятором 2. Кнопка

Щоб зняти касету з акумулятором, слід витягнути її з інструмента, натиснувши на кнопку в передній частині касети.

⚠ ОБЕРЕЖНО: Вставляйте касету з акумулятором до упору. Якщо цього не зробити, касета може випадково випасти з пирососа й завдати травми вам або людям, що перебувають поряд.

⚠ ОБЕРЕЖНО: Не встановлюйте касету з акумулятором із зусиллям. Якщо касета не вставляється легко, то це означає, що ви її неправильно вставляєте.

ПРИМІТКА: Пиросос не працює, якщо вставлено тільки одну касету з акумулятором.

Відображення залишкового заряду акумулятора

Натисніть кнопку перевірки на касеті з акумулятором для відображення залишкового ресурсу акумулятора. Індикаторні лампи загоряться на кілька секунд.

► **Рис.3:** 1. Індикаторні лампи 2. Кнопка перевірки

Індикаторні лампи			Залишковий ресурс
Горить	Вимк.	Блимає	
■	□	▣	від 75 до 100%
■ ■ ■ ■	□	□	від 50 до 75%
■ ■	□ □	□ □	від 25 до 50%
■	□ □ □ □	□ □ □ □	від 0 до 25%
▣	□ □ □ □	□ □ □ □	Зарядіть акумулятор.
■ ■ □ □	□ □	□ □	Можливо, акумулятор вийшов з ладу.
□ □ ■ ■	□ □	□ □	

ПРИМІТКА: Залежно від умов використання та температури оточуючого середовища показання можуть незначним чином відрізнятися від дійсного ресурсу.

ПРИМІТКА: Перша (дальня ліва) індикаторна лампа блимає під час роботи захисної системи акумулятора.

Індикатори акумуляторів на панелі керування

Рівень заряду акумуляторів можна перевірити в будь-який момент на панелі керування. Натисніть кнопку перевірки, і правий та лівий індикатори покажуть рівень заряду відповідних акумуляторів.

► **Рис.4:** 1. Індикатор лівого акумулятора
2. Індикатор правого акумулятора
3. Кнопка перевірки

► **Рис.5**

Стан індикатора акумулятора			Залишок заряду акумулятора
Вмк.	Вимк.	Блимає	
■	□	▣	Від 50 до 100%
■ ■ ■ ■	□	□	Від 20 до 50%
■ ■	□ □	□ □	Від 0 до 20%
■	□ □ □ □	□ □ □ □	Зарядіть акумулятор
▣	□ □ □ □	□ □ □ □	Акумулятор не вставлено

ПРИМІТКА: Індикатор акумулятора працює, коли вставлено два акумулятора.

ПРИМІТКА: Індикатори акумуляторів також вмикаються під час увімкнення пирососа.

Система захисту приладу / акумулятора

Прилад оснащено системою захисту приладу / акумулятора. Ця система автоматично вимикає живлення двигуна з метою подовження терміну служби приладу й акумулятора. Прилад автоматично припиняє роботу в разі виникнення зазначених далі ситуацій із ним або акумулятором.

Захист від перевантаження

Якщо під час використання приладу / акумулятора споживається забагато струму, прилад автоматично зупиняється. У такому разі вимкніть прилад і припиніть роботу, що призвело до його перевантаження. Щоб перезапустити прилад, увімкніть його знову.

Захист від перегрівання

Вмк.	Блимає
■	▣

У разі перегрівання прилад автоматично зупиняється, а індикатори правого й лівого акумуляторів починають блимати. У такій ситуації зачекайте, доки прилад охолоне, і почиште фільтри, перш ніж знову його увімкнути.

Вмк.	Блимає
■	▣

У разі перегрівання акумулятора прилад автоматично зупиняється, а індикатор відповідного акумулятора починає блимати. У такій ситуації зачекайте, доки акумулятор охолоне, перш ніж знову увімкнути прилад.

Захист від надмірного розрядження

Коли заряд акумулятора стає недостатнім для подальшої роботи, прилад автоматично припиняє роботу. Якщо прилад не працює після натискання вимикача, вийміть акумулятори з приладу й зарядіть їх.

Захист від інших неполадок

Система захисту також забезпечує захист від інших неполадок, які можуть призвести до пошкодження приладу, і забезпечує автоматичне зупинення приладу. У разі тимчасової зупинки або припинення роботи приладу виконайте всі зазначені нижче дії для усунення причини зупинки.

1. Вимкніть і знову увімкніть прилад, щоб перезавантажити його.
2. Зарядіть акумулятор(и) або замініть його(їх) зарядженим(и).
3. Дайте приладу й акумулятору (акумуляторам) охолонути.

Якщо після відновлення вихідного стану системи захисту ситуація не зміниться, зверніться до місцевого сервісного центру Makita.

Дія вимикача

Увімкнення пилососа

1. Установіть перемикач режиму очікування в положення «I» (УВІМК.) або «AUTO» (УВІМК.), щоб перевести пилосос у режим очікування.
2. Натисніть кнопку живлення. Щоб повернутися в режим очікування, натисніть кнопку живлення ще раз.

Вимкнення пилососа

Виконайте одну із зазначених нижче дій.

- Натисніть кнопку живлення, щоб повернути пилосос у режим очікування.
- Установіть перемикач режиму очікування в положення «O» (ВИМК.).

Регулювання потужності всмоктування

Силу всмоктування можна регулювати залежно від ваших потреб.

- Щоб зменшити силу всмоктування, поверніть ручку регулювання сили всмоктування вліво.
- Щоб збільшити силу всмоктування, поверніть ручку регулювання сили всмоктування вправо.

Вибір діаметра шланга

Використовуючи перемикач вибору діаметра шланга, виберіть потрібний діаметр шланга.

ПРИМІТКА: Не зупиняйте перемикач у проміжках між значеннями діаметра. Завжди встановлюйте перемикач у положення відповідного діаметра шланга.

- **Рис.6:**
1. Перемикач режиму очікування
 2. Ручка регулювання сили всмоктування
 3. Перемикач вибору діаметра шланга
 4. Кнопка живлення

УВАГА: Якщо ви не користуватиметеся пилососом тривалий час, завжди встановлюйте перемикач у позицію «O». У режимі очікування пилосос споживає енергію.

Попереджувальний сигнал

Існують два типи звукового сигналу. Один – це короткі звукові сигнали, другий – безперервні звукові сигнали.

- Коли швидкість повітряного потоку опускається нижче 20 м/с, задля безпеки пилосос видаватиме короткі попереджувальні звукові сигнали. Коли вони звучатимуть, перевірте положення перемикача вибору діаметра шланга або чи сила всмоктування не надто низька. Якщо звукові сигнали продовжують лунати, виконайте технічне обслуговування або зверніться до місцевого сервісного центру.
- Коли бак наповниться рідиною, очищувач видаватиме безперервні попереджувальні звукові сигнали та автоматично зупиниться. Після зупинки пилососа вимкніть його й спорожніть бак.

Зупинка автоматичного всмоктування під час всмоктування вологи

▲ ПОПЕРЕДЖЕННЯ: Не збирайте пилососом піну або мильний розчин. Це може спричинити вихід піни з випускного отвору повітря. Тривале використання пилососа в такому стані може призвести до ураження електричним струмом і поломки пилососа.

Пилосос має механізм, який запобігає проникненню води у двигун під час всмоктування води, кількість якої перевищує визначену.

Коли бак наповниться рідиною, очищувач видаватиме безперервні попереджувальні звукові сигнали та автоматично зупиниться. Після зупинки пилососа вимкніть його й спорожніть бак.

Система очищення фільтрів

У цьому приладі встановлено систему очищення фільтрів. Під час використання приладу система очищення фільтрів автоматично очищає фільтри від пилу, щоб запобігти зменшенню сили всмоктування через засмічення фільтрів.

Якщо прилад за раз усмоктує велику кількість пилу, сила всмоктування може зменшитися. У такому разі радимо почистити фільтри вручну.

1. Вимкніть прилад.
2. Установіть максимальну потужність усмоктування, а потім закрийте отвір усмоктувального шланга долонею.
3. Увімкніть прилад і нехай він попрацює приблизно 15 секунд із закритим усмоктувальним отвором.

► **Рис.7:** 1. Отвір усмоктувального шланга

ПРИМІТКА: Під час активації системи очищення фільтрів обсяг повітря може змінюватися, але це не є несправністю.

Водостік

Коли бак заповниться рідиною, вимкніть пиłosос і відкрийте кришку водостоку, щоб спорожнити бак.

► **Рис.8:** 1. Кришка водостоку

Ковпачок

Пробка постачається разом із приладом. Установлення пробки в отвір під'єднання шланга запобігає виходу всмоктаного пилу з пиłosосу.

► **Рис.9:** 1. Пробка

Блокування й розблокування коліщаток

Передні коліщатка можна заблокувати за допомогою стопорів, щоб запобігти пересуванню пиłosоса. Опустіть вручну стопорний важіль, щоб заблокувати коліщатко, або підніміть його, щоб зняти блокування.

► **Рис.10:** 1. Коліщатко 2. Стопорний важіль
3. Положення FREE 4. Положення LOCK

ПРИМІТКА: Перед пересуванням пиłosоса слід переконаватися, що коліщатко розблоковане. Пересування пиłosоса із заблокованим коліщатком може пошкодити коліщатко.

Ручка для перенесення

⚠ОБЕРЕЖНО: Будьте обережні під час підйому й перенесення приладу. Недотримання цієї вимоги може призвести до травми або пошкодження приладу.

Переносячи пиłosос, тримайте його за ручку на верхньому блоці. Коли ручка не використовується, її можна прибрати у верхній блок.

► **Рис.11**

Якщо самостійно переносити прилад важко, перенесіть його вдвох, як показано на рисунку.

► **Рис.12**

► **Рис.13**

ЗБОРКА

⚠ПОПЕРЕДЖЕННЯ: Цей пристрій може містити небезпечний пил. Під час заміни фільтрувальних елементів і мішка для пилу або технічного обслуговування завжди використовуйте респіратор моделі P2.

⚠ОБЕРЕЖНО: Перш ніж проводити будь-які роботи з приладом, вимкніть його й витягніть касети з акумуляторами.

Установлення та утилізація мішка фільтра

⚠ПОПЕРЕДЖЕННЯ: Завжди використовуйте респіратор моделі P2.

⚠ПОПЕРЕДЖЕННЯ: Перед використанням мішка фільтра переконайтеся, що встановлено модуль фільтрації. Невикористання модуля фільтрації разом із мішком фільтра може спричинити незвичний шум і нагрівання, що може призвести до займання.

⚠ПОПЕРЕДЖЕННЯ: Прибираючи приладом пил класу M, завжди використовуйте мішок фільтра.

УВАГА: Використовуючи мішок фільтра, ніколи не збирайте пиłosосом воду, іншу рідину або вологий пил. Усмоктування цих речовин може призвести до пошкодження мішка фільтра.

1. Відкрийте защіпка та зніміть верхній блок із бака.

► **Рис.14:** 1. Зашчіпка

2. Розкладіть мішок фільтра.

3. Розташуйте отвір мішка фільтра навпроти отвору для всмоктування пилу бака.

4. Вставте картонну частину мішка фільтра в пристрій, щоб вона розташувалась поза виступом фіксатора.

► **Рис.15:** 1. Мішок фільтра 2. Картонна панель з отвором 3. Тримач мішка фільтра 4. Отвір для всмоктування пилу 5. Край

Виймаючи мішок фільтра, потягніть за край горловини мішка фільтра, щоб горловина була закрита папером.

Установлення поліетиленового мішка

Додаткове приладдя

Розкладіть поліетиленовий мішок у баку та вставте верхній край мішка з одного боку між пластиною тримача й передньою стінкою бака.

Розгорніть верхні краї мішка назовні поверх верхніх країв бака.

Поліетиленовий мішок можна використовувати разом із мішком фільтра.

► **Рис.16:** 1. Пластина тримача 2. Передня стінка бака 3. Поліетиленовий мішок

ПРИМІТКА: Можна використовувати поліетиленові мішки, наявні в продажу. Радимо використовувати мішки з товщиною стінок більше 0,04 мм і периметром більше 2 000 мм.

ПРИМІТКА: Занадто велика кількість пилу призведе до розірвання поліетиленового мішка, тому не переповнюйте мішок. Під час виймання важкого мішка людина може відчувати велике навантаження.

Випорожнення бака з поліетиленовим мішком

▲ ПОПЕРЕДЖЕННЯ: Перед випорожненням бака обов'язково переконайтеся, що пиросос виМКнено, а касети з акумуляторами витягнуто. Недотримання цих правил може призвести до ураження струмом і тяжких травм.

УВАГА: Спорожнюйте бак хоча б один раз на день, хоча це залежить від кількості зібраного пиу в баку. Інакше зменшиться сила всмоктування та може вийти з ладу двигун.

УВАГА: Під час випорожнення бака не тримайтеся за защіпки. Якщо триматися за защіпки, їх можна зламати.

1. Відкрийте защіпки та зніміть верхній блок із бака.
2. Витягніть із бака поліетиленовий мішок, охопивши рукою його горловину.

► **Рис.17:** 1. Поліетиленовий мішок 2. Бак

ПРИМІТКА: Виймайте поліетиленовий мішок із бака обережно, щоб не зачепитися за виступи всередині бака й не розірвати мішок.

ПРИМІТКА: Спорожнюйте поліетиленовий мішок до того, як він заповниться. Від надмірної кількості пиу в баку поліетиленовий мішок може порватися.

Установлення шланга

УВАГА: Ніколи не згинайте шланг, застосовуючи надмірну силу, і не ставайте на нього ногами. Ніколи не пересувайте пиросос, тримаючи його за шланг. Ви можете пошкодити або деформувати шланг, застосовуючи до нього надмірну силу, наступаючи на нього або тягнучи за нього.

УВАГА: Під час усмоктування сміття, що містить великі частки, на кшталт деревних стружок, бетонного пиу тощо, використовуйте шланг із внутрішнім діаметром 38 мм (додаткове приладдя). Шланг із внутрішнім діаметром 28 мм (додаткове приладдя) може засмітитися або зазнати uszkodжень.

УВАГА: Якщо від'єднуєте шланг від пирососа, завжди закривайте монтажний отвір пробкою.

Приєднання до пирососа

Зніміть пробку з монтажного отвору. Поки шланг під'єднано до пирососа, пробку можна зберігати в задній частині пирососа.

► **Рис.18:** 1. Пробка

Вставте кінець шланга в отвір для всмоктування пиу (вхідний отвір для шланга) пирососа й поверніть за годинниковою стрілкою до фіксації.

► **Рис.19:** 1. Шланг 2. Отвір для всмоктування пиу (вхідний отвір для шланга)

З'єднання з робочими інструментами (залежно від країни)

Приєднавши пиросос до сумісних електроінструментів, його можна використовувати для видалення пиу під час роботи із цими інструментами.

Виберіть передню манжету чи муфту (додаткове приладдя), яка найкраще підходить до вашої моделі інструмента. Установіть передню манжету чи муфту, якщо потрібно, між переднім кінцем шланга пирососа й отвором для видалення пиу інструмента.

► **Рис.20:** 1. Передня манжета або муфта 2. Шланг пирососа 3. Електроінструмент 4. Пиросос

Установлення або видалення насадок пирососа

▲ ОБЕРЕЖНО: Після встановлення насадки переконайтеся в надійності її кріплення. У разі неправильного встановлення насадки вона може зіскочити й нанести травму.

Під час використання насадки без фіксації

Додаткове приладдя

Вставте насадку в отвір усмоктування пирососа і вкрутіть її вручну.

Після використання відкрутіть насадку вручну й витягніть її з отвору усмоктування.

► **Рис.21**

Установлення контейнера МАКРАС

Додаткове приладдя

▲ ОБЕРЕЖНО: Не ставайте та не сидійте зверху приладу. Він може впасти через нестійкість.

▲ ОБЕРЕЖНО: Будьте обережні під час установлення контейнера МАКРАС. Недотримання цієї вимоги може призвести до травми або пошкодження приладу.

▲ ОБЕРЕЖНО: Коли на приладі встановлено контейнер МАКРАС, не піднімайте прилад за ручку цього контейнера МАКРАС.

▲ ОБЕРЕЖНО: Під час переміщення приладу, на якому встановлено контейнер МАКРАС, докладайте зусилля не до контейнера МАКРАС, а до корпусу приладу. Якщо зусилля докладати до контейнера МАКРАС, можна зламати фіксатори, які його кріплять, що може спричинити падіння контейнера МАКРАС і травмування оточуючих.

Зверху пилососа можна встановлювати контейнери для зберігання МАКРАС, які можна ставити один зверху іншого й скріплювати між собою. Ви можете придбати контейнери різних типів і розмірів, виходячи з власних потреб.

1. Відкрийте фіксатори зверху пилососа.

► **Рис.22:** 1. Фіксатор

2. Установіть контейнери МАКРАС зверху пилососа та закріпіть їх фіксаторами.

► **Рис.23:** 1. Фіксатор 2. МАКРАС

Максимальна висота й маса приладу з контейнерами МАКРАС становлять 315 мм і 20 кг відповідно.

► **Рис.24**

РОБОТА

▲ ПОПЕРЕДЖЕННЯ: Завжди використовуйте респіратор P2.

▲ ОБЕРЕЖНО: Якщо з пристрою витікає піна або рідина, негайно вимкніть його. Подальше використання пилососа в такому стані може призвести до ураження електричним струмом і поломки пилососа.

ФУНКЦІЯ БЕЗДРОТОВОЇ АКТИВАЦІЇ

Додаткове приладдя

Для чого призначена функція бездротової активації

Використання функції бездротової активації забезпечує чистоту та комфортну роботу. Після під'єднання сумісного інструмента до пилососа пилосос його можна буде автоматично запускати разом з інструментом.

► **Рис.25**

УВАГА: Див. посібник з експлуатації інструмента щодо використання пилососа з функцією бездротової активації.

УВАГА: Не розбирайте бездротовий модуль і не намагайтеся втручатися в його роботу.

УВАГА: Для запобігання попаданню пилу в проріз бездротового модуля щільно закривайте кришку під час роботи й зберігання.

УВАГА: Не натискайте занадто сильно кнопку активації та не робіть це гострим предметом.

ПРИМІТКА: Для бездротової активації необхідно, щоб інструменти Makita мали бездротовий модуль.

ПРИМІТКА: Перед першим застосуванням функції бездротової активації з кожним інструментом необхідно виконати реєстрацію інструмента. Після виконання реєстрації інструмента повторна реєстрація не потрібна, якщо не було скасування.

ПРИМІТКА: Перед реєстрацією переконайтеся в тому, що бездротовий модуль правильно встановлено.

ПРИМІТКА: На один бездротовий модуль можна зареєструвати до 10 з'єднань з іншими бездротовими модулями. Якщо на один бездротовий модуль зареєстровано понад 10 інших бездротових модулів, модуль, який було зареєстровано першим, буде скасовано автоматично.

ПРИМІТКА: Кнопка бездротової активації може знаходитися на різних інструментах у різних місцях.

ПРИМІТКА: Пилосос також можна ввімкнути, натиснувши кнопку живлення в той час, коли перемикач режиму очікування знаходиться в положенні «AUTO».

Проте кнопка живлення не спрацює, якщо було застосовано функцію бездротової активації.

Установлення бездротового модуля

▲ ПОПЕРЕДЖЕННЯ: Відкривайте кришку, лише під час першого встановлення бездротового модуля. Ніколи не відкривайте кришку після її встановлення.

▲ ОБЕРЕЖНО: Під час установлення бездротового модуля розташуйте пилосос на рівній і стійкій поверхні.

УВАГА: Перед установленням бездротового модуля очистьте пилосос від пилу й бруду. Пил або бруд можуть стати причиною несправності, якщо вони потраплять у відсік бездротового пристрою.

УВАГА: Щоб уникнути несправностей, викликаних статичною електрикою, перш ніж торкатися бездротового модуля, доторкніться деталі, яка допоможе зняти електростатичний заряд, наприклад металевої частини.

УВАГА: Під час установлення бездротового модуля завжди стежте за тим, щоб уставляти його правильною стороною та щоб кришка відсіку була повністю закрита.

1. Відкрутіть гвинт, щоб відкрити кришку пилососа, як показано на рисунку.

► **Рис.26:** 1. Кришка 2. Гвинт

2. Вставте бездротовий модуль у гніздо.

Під час установлення бездротового модуля сумістіть виступи із заглибленнями у відсіку.

► **Рис.27:** 1. Бездротовий модуль 2. Виступ 3. Кришка 4. Заглиблення

3. Повністю затягніть гвинт, щоб закрити кришку.

Реєстрація інструмента для пирососа

ПРИМІТКА: Для реєстрації інструмента потрібно мати інструмент Makita, який підтримує функцію бездротової активації.

ПРИМІТКА: Установіть бездротовий модуль в інструмент перед початком реєстрації.

ПРИМІТКА: Під час реєстрації інструмента не натискайте курок вмикача інструмента або кнопку живлення пирососа.

ПРИМІТКА: Див. також посібник з експлуатації інструмента.

Для ввімкнення пирососа одночасно з інструментом спочатку виконайте реєстрацію інструмента.

1. Установіть бездротові модулі в пиросос й інструмент відповідно.
2. Вставте акумулятори в пиросос та інструмент.
3. Установіть перемикач режиму очікування на пирососі в положення «АУТО».
► **Рис.28:** 1. Перемикач режиму очікування
4. Натисніть кнопку бездротової активації на пирососі та втримуйте її протягом 3 секунд, поки індикатор бездротової активації не почне блимати зеленим кольором. Потім так само натисніть кнопку бездротової активації на інструменті.
► **Рис.29:** 1. Кнопка бездротової активації
2. Індикатор бездротової активації

Якщо пиросос та інструмент з'єднані успішно, індикатори бездротової активації світитимуться зеленим протягом 2 секунд, а потім почнуть блимати синім кольором.

ПРИМІТКА: Індикатори бездротової активації припинять блимати зеленим кольором за 20 секунд. Натисніть кнопку бездротової активації на інструменті, поки блимає індикатор бездротової активації на пирососі. Якщо індикатор бездротової активації не блимає зеленим, короткочасно натисніть кнопку бездротової активації, а потім знову натисніть і втримуйте її.

ПРИМІТКА: Якщо потрібно зареєструвати два або більше інструментів для пирососа, виконайте реєстрацію інструментів послідовно, один за одним.

Увімкнення функції бездротової активації

ПРИМІТКА: Завершіть реєстрацію інструмента для пирососа для використання бездротової активації.

ПРИМІТКА: Завжди розміщуйте пиросос так, щоб було видно стан індикатора бездротової активації.

ПРИМІТКА: Див. також посібник з експлуатації інструмента.

Після реєстрації інструмента на пирососі пиросос вмикатиметься автоматично, коли починатиме працювати інструмент.

1. Установіть бездротові модулі в пиросос й інструмент відповідно.
2. Вставте акумулятори в пиросос та інструмент.

3. З'єднайте шланг пирососа з інструментом.

► **Рис.30**

4. Установіть перемикач режиму очікування на пирососі в положення «АУТО».

► **Рис.31:** 1. Перемикач режиму очікування

5. Натисніть і відпустіть кнопку бездротової активації на інструменті. Індикатор бездротової активації почне блимати синім кольором.

► **Рис.32:** 1. Кнопка бездротової активації
2. Індикатор бездротової активації

6. Увімкніть інструмент. Перевірте, чи працює пиросос під час роботи інструмента.

▲ОБЕРЕЖНО: Перед початком роботи з інструментом переконайтеся в тому, що функція бездротової активації працює.

Для припинення бездротової активації натисніть кнопку бездротової активації на інструменті або встановіть перемикач режиму очікування на пирососі в положення «I» або «O».

ПРИМІТКА: Індикатор бездротової активації на інструменті припинить блимати синім, якщо він не використовується протягом 2 годин. У цьому випадку встановіть перемикач режиму очікування на пирососі в положення «АУТО» та знову натисніть кнопку бездротової активації на інструменті.

ПРИМІТКА: Пиросос вмикається та зупиняється з затримкою. Існує затримка, коли пиросос визначає перемикач інструмента в робочий режим.

ПРИМІТКА: Дальність передачі бездротового модуля змінюється залежно від місця розташування й навколишніх умов.

ПРИМІТКА: Якщо для одного пирососа зареєстровано два або більше інструменти, пиросос може почати працювати, навіть якщо ви не вмикали свій інструмент, коли інший користувач застосує функцію бездротової активації.

Скасування реєстрації інструмента для пирососа

Виконайте описані нижче дії, щоб скасувати реєстрацію інструмента для пирососа.

1. Установіть бездротові модулі в пиросос й інструмент відповідно.
2. Вставте акумулятори в пиросос та інструмент.
3. Установіть перемикач режиму очікування на пирососі в положення «АУТО».
► **Рис.33:** 1. Перемикач режиму очікування
4. Натисайте кнопку бездротової активації на пирососі протягом 6 секунд. Індикатор бездротової активації почне блимати зеленим, а потім загориться червоним кольором. Після цього так само натисніть кнопку бездротової активації на інструменті.
► **Рис.34:** 1. Кнопка бездротової активації
2. Індикатор бездротової активації

Якщо скасування виконано успішно, індикатори бездротової активації світитимуться червоним світлом протягом 2 секунд, а потім почнуть блимати синім кольором.

ПРИМІТКА: Індикатори бездротової активації припинять блимати червоним кольором за 20 секунд. Натисніть кнопку бездротової активації на інструменті, поки блимає індикатор бездротової активації на пілососі. Якщо індикатор бездротової активації не блимає червоним, короткочасно натисніть кнопку бездротової активації, а потім знову натисніть і втримуйте її.

Видалення реєстрації всіх інструментів

Видалити реєстрацію всіх інструментів із пілососа можна таким чином.

- **Рис.35:**
1. Перемикач режиму очікування
 2. Кнопка бездротової активації
 3. Індикатор бездротової активації
1. Установіть бездротовий модуль у пілосос.
 2. Вставте акумулятори в пілосос.
 3. Установіть перемикач режиму очікування в положення «АUTO».

4. Натисніть кнопку бездротової активації приблизно на 6 секунд, поки індикатор бездротової активації не почне блимати червоним кольором (приблизно два рази на секунду).

5. Коли індикатор бездротової активації почне блимати червоним кольором, відпустіть кнопку бездротової активації. Потім натисніть кнопку бездротової активації знову приблизно на 6 секунд.







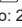



6. Коли індикатор бездротової активації почне швидко блимати (приблизно 5 разів на секунду) червоним кольором, відпустіть кнопку бездротової активації. Якщо індикатор бездротової активації загориться червоним кольором, а потім потухне, реєстрації всіх інструментів видалені.

ПРИМІТКА: Якщо індикатор бездротової активації не блимає червоним, короткочасно натисніть кнопку бездротової активації, а потім спробуйте знову.

Опис стану індикатора бездротової активації

- **Рис.36:**
1. Кнопка бездротової активації
 2. Індикатор бездротової активації

Індикатор бездротової активації відображає стан функції бездротової активації. Значення стану індикатора див. у таблиці нижче.

Стан	Індикатор бездротової активації			Тривалість (приблизно)	Опис
	Колір	 Увімк.	 Блимає		
Режим очікування	Синій			Пілосос: продовжує Інструмент: 2 години	Очікування реєстрації інструмента, або функція бездротової активації доступна. Індикатор на пілососі буде блимати, якщо перемикач режиму очікування встановлено в положення «АUTO». Індикатор на інструменті буде блимати, якщо натиснуто кнопку бездротової активації. Індикатор на інструменті вимкнеться автоматично, якщо протягом 2 годин не буде виконуватися ніяка операція.
				Коли інструмент працює.	Доступна бездротова активація пілососа, інструмент працює.
Реєстрація інструмента	Зелений			20 секунд	Готовність до реєстрації інструмента. Пошук інструмента для реєстрації.
				2 секунд	Реєстрація інструмента завершена. Індикатор бездротової активації починає блимати синім кольором.
Скасування/видалення реєстрації інструмента	Червоний	 (повільно: 2 рази/с)		20 секунд	Готовність до скасування реєстрації інструмента. Пошук інструмента для скасування.
		 (швидко: 5 разів/с)		Коли натиснуто кнопку бездротової активації.	Готовність до видалення реєстрації всіх інструментів.
				2 секунд	Реєстрацію інструмента скасовано/видалено. Індикатор бездротової активації починає блимати синім кольором.
Інше	Червоний			3 секунд	На бездротовий модуль подається живлення, функція бездротової активації вмикається.
	Вимк.	—	—	—	Перемикач режиму очікування не встановлено в положення «АUTO».

Усунення несправностей функції бездротової активації

Перш ніж звертатися з приводу ремонту інструмента, проведіть його перевірку самостійно. У разі виявлення несправності, яку не описано в цьому посібнику, не намагайтеся розібрати інструмент. Натомість зверніться до авторизованих сервісних центрів Makita та використовуйте для ремонту тільки запасні частини виробництва компанії Makita.

Стан відхилення від норми	Можлива причина (несправність)	Спосіб виправлення
Індикатор бездротової активації не світиться або не блимає.	Бездротовий модуль не встановлено в пілосос й/або інструмент. Бездротовий модуль неправильно встановлено в пілосос й/або інструмент.	Правильно встановіть бездротовий модуль.
	Кнопку бездротової активації на інструменті не натиснуто.	Натисніть і відпустіть кнопку бездротової активації на інструменті.
	Перемикач режиму очікування на пілососі не встановлено в положення «АУТО».	Установіть перемикач режиму очікування на пілососі в положення «АУТО».
	Відсутнє живлення	Підключіть інструмент і пілосос до джерела живлення.
Неможливо успішно закінчити реєстрацію інструмента або скасувати реєстрацію інструмента.	Бездротовий модуль не встановлено в пілосос й/або інструмент. Бездротовий модуль неправильно встановлено в пілосос й/або інструмент.	Правильно встановіть бездротовий модуль.
	Перемикач режиму очікування на пілососі не встановлено в положення «АУТО».	Установіть перемикач режиму очікування на пілососі в положення «АУТО».
	Відсутнє живлення	Підключіть інструмент і пілосос до джерела живлення.
	Неправильна операція	Коротко натисніть кнопку бездротової активації, а потім знову виконайте процедуру реєстрації або скасування реєстрації інструмента.
	Інструмент і пілосос знаходяться далеко один від одного (за межами радіуса дії передавача).	Розташуйте інструмент і пілосос ближче один до одного. Максимальна відстань передачі складає близько 10 м, проте вона залежить від умов експлуатації.
	Перед завершенням реєстрації інструмента / скасуванням: – було натиснуто вимикач на інструменті; або – було натиснуто кнопку живлення на пілососі.	Коротко натисніть кнопку бездротової активації, а потім знову виконайте процедуру реєстрації або скасування реєстрації інструмента.
	Процедуру реєстрації для інструмента або пілососа не завершено.	Виконайте дії з реєстрації, які стосуються інструмента й пілососа, в один часовий проміжок.
	Радіоперешкоди від інших приладів, які генерують радіохвилі високої потужності.	Тримайте інструмент і пілосос подалі від приладів, як-от пристрої Wi-Fi і мікрохвильові печі.

Стан відхилення від норми	Можлива причина (несправність)	Спосіб виправлення
Пилосос не вмикається під час роботи інструмента.	Бездротовий модуль не встановлено в пилосос й/або інструмент. Бездротовий модуль неправильно встановлено в пилосос й/або інструмент.	Правильно встановіть бездротовий модуль.
	Кнопку бездротової активації на інструменті не натиснуто.	Натисніть і відпустіть кнопку бездротової активації та переконайтеся, що індикатор бездротової активації блимає синім кольором.
	Перемикач режиму очікування на пилососі не встановлено в положення «АУТО».	Установіть перемикач режиму очікування на пилососі в положення «АУТО».
	У пилососі зареєстровано понад 10 інструментів.	Виконайте реєстрацію інструмента ще раз. Якщо в пилососі зареєстровано понад 10 інструментів, дані про інструмент, який було зареєстровано найпершим, будуть автоматично вилучені.
	Пилосос видалив дані про реєстрацію всіх інструментів.	Виконайте реєстрацію інструмента ще раз.
	Відсутнє живлення	Підключіть інструмент і пилосос до джерела живлення.
	Інструмент і пилосос знаходяться далеко один від одного (за межами радіуса дії передавача).	Розташуйте інструмент і пилосос ближче один до одного. Максимальна відстань передачі складає близько 10 м, проте вона залежить від умов експлуатації.
	Радіоперешкоди від інших приладів, які генерують радіохвилі високої потужності.	Тримайте інструмент і пилосос подалі від приладів, як-от пристрої Wi-Fi і мікрохвильові печі.
Пилосос працює, коли інструмент не використовується.	Інші користувачі застосовують функцію бездротової активації пилососа зі своїми інструментами.	Вимкніть за допомогою кнопки бездротової активації інших інструментів або скасуйте їх реєстрацію.
Неможливо видалити реєстрацію всіх інструментів у пилососі.	Натисніть кнопку бездротової активації на інструменті.	Натисніть кнопку бездротової активації на пилососі для видалення реєстрації всіх інструментів.
	Перемикач режиму очікування на пилососі не встановлено в положення «АУТО».	Установіть перемикач режиму очікування на пилососі в положення «АУТО».
	Неправильно натиснуто кнопку бездротової активації.	Натисніть кнопку бездротової активації більше, ніж на 6 секунд, а потім відпустіть її, коли індикатор бездротової активації буде блимати червоним кольором. Знову натисніть кнопку бездротової активації більше, ніж на 6 секунд, поки кнопка бездротової активації не почне швидко блимати червоним кольором, а потім відпустіть кнопку.

ТЕХНІЧНЕ ОБСЛУГОВУВАННЯ

▲ ПОПЕРЕДЖЕННЯ: Під час технічного обслуговування завжди використовуйте респіратор моделі P2.

▲ ОБЕРЕЖНО: Перед виконанням огляду або обслуговування завжди вимикайте прилад і виймайте касети з акумуляторами.

▲ ОБЕРЕЖНО: Технічний огляд, включаючи перевірку фільтрів, герметичності та механізму керування, має проводити не рідше одного разу на рік особа, яка пройшла інструктаж.

▲ ОБЕРЕЖНО: Під час технічного обслуговування всі забруднені елементи, які не можна почитистити належним чином, необхідно утилізувати. Такі елементи необхідно викидати в непроникні пакети, які відповідають нормам вашої країни.

▲ ОБЕРЕЖНО: Після роботи в небезпечній зоні зовнішню поверхню пристрою необхідно почитистити пилососом, протерти або обробити герметиком, перш ніж вивозити пристрій із небезпечної зони. Після вивезення з небезпечної зони всі частини пристрою слід вважати забрудненими та необхідно вжити відповідних заходів для запобігання розсіюванню пилу.

▲ ОБЕРЕЖНО: Якщо фільтри забиті пилом або вам здається, що продуктивність пилососа знизилася, замініть фільтри.

▲ ОБЕРЕЖНО: Періодично перевіряйте стан фільтрів. Якщо фільтри мають розриви, негайно замініть їх.

УВАГА: Ніколи не використовуйте газолін, бензин, розріджувач, спирт та подібні речовини. Їх використання може призвести до зміни кольору, деформації або появи тріщин.

Для забезпечення БЕЗПЕКИ та НАДІЙНОСТІ продукції, її ремонт, а також роботи з обслуговування або регулювання повинні виконуватись уповноваженими або заводськими сервісними центрами Makita із використанням запчастин виробництва компанії Makita.

Знімання модуля фільтрації

▲ ОБЕРЕЖНО: Зачекайте приблизно 5 хвилин, щоб пил у баку повністю осів.

▲ ОБЕРЕЖНО: Будьте обережні під час знімання модуля фільтрації, щоб пил не потрапив усередину кришки бака.

Модуль фільтрації кріпиться на верхньому блоці. Він складається з верхньої панелі, фільтрів попереднього очищення, демпферів і порошкових фільтрів.

1. Відкрийте заціпки та зніміть верхній блок із бака.
2. Зніміть модуль фільтрації з верхнього блока, як показано на рисунку.

► Рис.37: 1. Фіксатор 2. Модуль фільтрації

Знімання порошкового фільтра та фільтра попереднього очищення

Потягніть за виступ і вийміть фільтри з верхньої панелі.

► Рис.38: 1. Верхня панель 2. Фільтри 3. Виступ

Щоб запобігти потраплянню пилу в повітря, бажано поміщати вийняті фільтри в поліетиленовий мішок. Під час перенесення модуля фільтрації для очищення поліетиленовий мішок має бути міцно зав'язаним.

► Рис.39: 1. Модуль фільтрації 2. Поліетиленовий мішок

► Рис.40: 1. Верхня панель 2. Фільтри 3. Поліетиленовий мішок

Очищення порошкового фільтра, фільтра попереднього очищення та демпфера

Періодично чистьте фільтри та демпфери. Засмічені фільтри й демпфер можуть призвести до погіршення продуктивності всмоктування.

Регулярно очищайте фільтри та демпфер від пилу. Час від часу мийте порошковий фільтр, фільтр попереднього очищення й демпфер у воді, полощіть і ретельно висушуйте його в затінку перед використанням. Ніколи не мийте ці елементи в пральній машині.

► Рис.41

ПРИМІТКА: Не тріть і не дряпайте порошковий фільтр, фільтр попередньої очистки чи глушник твердими предметами, такими як щітка та лопатка.

ПРИМІТКА: З часом фільтри зношуються. Рекомендовано мати кілька запасних фільтрів.

Установлення порошкового фільтра та фільтра попереднього очищення

УВАГА: Порошковий фільтр і фільтр попереднього очищення можуть уловлювати як сухий, так і вологий пил. Щоб уникнути поломки порошкового фільтра, переконайтеся, що датчики рівня води працюють правильно.

Закріпіть краї модуля фільтрації за верхню панель, а потім вдав'яте виступ.

► Рис.42: 1. Край 2. Виступ

УВАГА: Перед використанням порошкового фільтра слід перевіряти, щоб фільтр попередньої очистки та глушник використовувалися разом. Заборонено встановлювати тільки порошковий фільтр.

Складання фільтрів

Якщо ви отримуєте фільтри окремо, зберіть їх, як показано на рисунку.

► Рис.43: 1. Порошковий фільтр 2. Демпфер 3. Фільтр попереднього очищення

Установлення модуля фільтрації

Після встановлення фільтрів на верхню панель зачепіть отвори модуля фільтрації за виступи внутрішньої кришки у вигляді літери U. Потім зафіксуйте фіксатор, як показано на рисунку.

- **Рис.44:** 1. Виступ у вигляді літери U 2. Отвір
3. Фіксатор

Установлення водяного фільтра

Додаткове приладдя

УВАГА: Для збирання вологого пилу переконайтеся, що датчики рівня води вмикаються належним чином.

УВАГА: Не використовуйте фільтр попереднього очищення й демпфер разом із водяним фільтром.

Для збирання лише води та вологого пилу краще використовувати водяний фільтр, ніж порошоквий фільтр і фільтр попереднього очищення. Установлюйте водяний фільтр на верхню панель так само, як порошоквий фільтр і фільтр попереднього очищення.

- **Рис.45**

ПРИМІТКА: Якщо потрібно систематично збирати велику кількість води, радимо використовувати водяний фільтр. Інакше в разі використання порошоквого фільтра й фільтра попереднього очищення всмоктувальна здатність пилососа може погіршитися.

Очищення датчиків рівня води

Датчики рівня води визначають рівень рідини, коли бак заповнюється нею. Час від часу протирайте датчики рівня води м'якою ганчіркою під час заміни фільтрів.

- **Рис.46:** 1. Датчик рівня води

Зберігання приладдя

Приладдя й насадки, які наразі не використовуються, як-от насадки-розпилювачі, труби та пробку, можна підвісити на гачку ззаду пилососа.

- **Рис.47:** 1. Приладдя й насадка, які не використовуються 2. Пробка

Труби (з установленим додатковим обмежувачем) можна вставляти в тримач труби, якщо треба зробити невеличку перерву в роботі пилососа.

- **Рис.48:** 1. Обмежувач (додаткове приладдя)
2. Тримач труби

Шланг можна намотати на корпус або ручку пилососа великими кільцями. З'єднайте кінці шланга між собою, щоб отримати кільця, і надягніть ці кільця на підняту ручку. Ви також можете не виймати шланг із вхідного отвору для шланга й покласти кільця шланга на універсальний тримач, закріпивши вільний кінець.

- **Рис.49**

- **Рис.50**

ДОДАТКОВЕ ПРИЛАДДЯ

▲ОБЕРЕЖНО: Це додаткове та допоміжне обладнання рекомендовано використовувати з інструментом Makita, зазначеним у цій інструкції з експлуатації. Використання будь-якого іншого додаткового та допоміжного обладнання може становити небезпеку травмування. Використовуйте додаткове та допоміжне обладнання лише за призначенням.

У разі необхідності отримати допомогу в більш детальному ознайомленні з оснащенням звертайтеся до місцевого сервісного центру Makita.

- Шланг
- Передні манжети (22, 24, 38)
- Пряма труба
- Кутовий штутцер
- Кругла щітка
- Порошковий фільтр M, H (HEPA)
- Глушник
- Фільтр попередньої очистки
- Водяний фільтр
- Вузол штутцера
- Зігнута труба
- Поліетиленовий мішок
- Мішок фільтра
- Пробка
- Оригінальний акумулятор та зарядний пристрій Makita
- Бездротовий модуль
- МАКРАС

ПРИМІТКА: Деякі елементи списку можуть входити до комплексу інструмента як стандартне приладдя. Вони можуть відрізнятися залежно від країни.

ОСТОРОЖНО

- Это устройство не предназначено для использования лицами (включая детей) с ограниченными физическими, сенсорными или умственными способностями, а также не имеющими надлежащего опыта и знаний.
- Следите за маленькими детьми, чтобы они не использовали пылесос в качестве игрушки.
- Тип аккумулятора указан в главе "ТЕХНИЧЕСКИЕ ХАРАКТЕРИСТИКИ".
- Инструкции по установке и извлечению аккумулятора приведены в разделе "Установка или снятие блока аккумулятора".
- Для утилизации блока аккумулятора извлеките его из инструмента и утилизируйте безопасным способом. Выполняйте требования местного законодательства по утилизации аккумулятора.
- Если инструментом не будут пользоваться в течение длительного периода времени, извлеките аккумулятор из инструмента.
- Не замыкайте контакты блока аккумулятора между собой.
- Сведения о мерах предосторожности при техническом обслуживании изделия пользователем приведены в главе "ТЕХНИЧЕСКОЕ ОБСЛУЖИВАНИЕ".

ТЕХНИЧЕСКИЕ ХАРАКТЕРИСТИКИ

Модель:		VC006GM
Максимальный объем воздуха в конце шланга	Со шлангом BL4050F, ø28 мм x3,5 м	2,0 м ³ /мин
	Со шлангом BL4050F, ø38 мм x2,5 м	3,7 м ³ /мин
Максимальный объем воздуха в турбине (с BL4050F)		4,9 м ³ /мин
Вакуум (с BL4050F)		18 кПа
Восстанавливаемая емкость	Пыль	40 л
	Вода	30 л
Размеры (Д × Ш × В)		586 мм × 385 мм × 598 мм
Номинальное напряжение		72 В – 80 В пост. тока макс.
Масса нетто		18,4 – 20,8 кг
Степень защиты		IPX4

- Благодаря нашей постоянно действующей программе исследований и разработок указанные здесь технические характеристики могут быть изменены без предварительного уведомления.
- Технические характеристики могут различаться в зависимости от страны.
- Масса указана без учета принадлежностей за исключением блока(-ов) аккумулятора(-ов). Масса устройства и блока(-ов) аккумулятора(-ов) в самой легкой и самой тяжелой комбинациях указана в таблице.

Подходящий блок аккумулятора и зарядное устройство

Блок аккумулятора	BL4020 / BL4025 / BL4040* / BL4050F* / BL4080F* *: рекомендуемый аккумулятор
Зарядное устройство	DC40RA / DC40RB / DC40RC

- В зависимости от региона проживания некоторые блоки аккумуляторов и зарядные устройства, перечисленные выше, могут быть недоступны.

⚠ ОСТОРОЖНО: Используйте только перечисленные выше блоки аккумуляторов и зарядные устройства. Использование других блоков аккумуляторов и зарядных устройств может привести к травме и/или пожару.

Символы

Ниже приведены символы, которые могут использоваться для обозначения оборудования. Перед использованием убедитесь в том, что вы понимаете их значение.



Прочитайте руководство по эксплуатации.



Обратите особое внимание.



Осторожно! Пылесос может содержать опасную пыль.



Запрещено вставать на пылесос.



Ни в коем случае не кладите на пылесос какие-либо предметы тяжелее 20 кг (44 фунтов).



Класс пылеулавливания M (средний): для отделения пыли с предельным значением производственной экспозиции не менее 0,1 мг/м³. Данные пылесосы могут охватывать классы пылеулавливания L и M. Соблюдайте нормативные требования, действующие в вашей стране в отношении защиты и пыли, а также техники безопасности и охраны труда.



Только для стран ЕС
В связи с наличием в оборудовании опасных компонентов отходы электрического и электронного оборудования, аккумуляторы и батареи могут оказывать негативное влияние на окружающую среду и здоровье человека. Не выбрасывайте электрические и электронные устройства или батареи вместе с бытовыми отходами!
В соответствии с директивой ЕС по отходам электрического и электронного оборудования, по аккумуляторам, батареям и отходам аккумуляторов и батарей, а также в соответствии с ее адаптацией к национальному законодательству, отходы электрического оборудования, батареи и аккумуляторы следует хранить отдельно и доставлять на пункт раздельного сбора коммунальных отходов, работающий с соблюдением правил охраны окружающей среды. Это обозначено символом в виде перечеркнутого мусорного контейнера на колесах, нанесенным на оборудование.

Назначение

Данное устройство предназначено для влажной и сухой уборки. Устройство подходит для коммерческого использования, например в гостиницах, школах, больницах, магазинах, офисах, арендных помещениях и на заводах.

Шум

Типичный уровень взвешенного звукового давления (A), измеренный в соответствии с EN60335-2-69:
Уровень звукового давления (L_{ра}): 70 дБ (или менее)
Погрешность (K): 2,5 дБ (A)

Уровень шума при выполнении работ может превышать 80 дБ (A).

ПРИМЕЧАНИЕ: Заявленное значение распространения шума измерено в соответствии со стандартной методикой испытаний и может быть использовано для сравнения инструментов.

ПРИМЕЧАНИЕ: Заявленное значение распространения шума можно также использовать для предварительных оценок воздействия.

⚠ОСТОРОЖНО: Используйте средства защиты слуха.

⚠ОСТОРОЖНО: Распространение шума во время фактического использования электроинструмента может отличаться от заявленного значения в зависимости от способа применения инструмента и в особенности от типа обрабатываемой детали.

⚠ОСТОРОЖНО: Обязательно определите меры безопасности для защиты оператора, основанные на оценке воздействия в реальных условиях использования (с учетом всех этапов рабочего цикла, таких как выключение инструмента, работа без нагрузки и включение).

Вибрация

Суммарное значение вибрации (сумма векторов по трем осям), определенное в соответствии с EN60335-2-69:

Распространение вибрации (a_{н,м}): 2,5 м/с² или менее

Погрешность (K): 1,5 м/с²

ПРИМЕЧАНИЕ: Заявленное общее значение распространения вибрации измерено в соответствии со стандартной методикой испытаний и может быть использовано для сравнения инструментов.

ПРИМЕЧАНИЕ: Заявленное общее значение распространения вибрации можно также использовать для предварительных оценок воздействия.

⚠ОСТОРОЖНО: Распространение вибрации во время фактического использования электроинструмента может отличаться от заявленного значения в зависимости от способа применения инструмента и в особенности от типа обрабатываемой детали.

⚠ОСТОРОЖНО: Обязательно определите меры безопасности для защиты оператора, основанные на оценке воздействия в реальных условиях использования (с учетом всех этапов рабочего цикла, таких как выключение инструмента, работа без нагрузки и включение).

Декларация о соответствии ЕС

Только для европейских стран

Декларация о соответствии ЕС включена в руководство по эксплуатации (Приложение А).

МЕРЫ БЕЗОПАСНОСТИ

Правила техники безопасности при эксплуатации аккумулятора пылесоса

▲ОСТОРОЖНО: ВАЖНО! ВНИМАТЕЛЬНО ОЗНАКОМЬТЕСЬ со всеми инструкциями и рекомендациями по технике безопасности **ДО НАЧАЛА РАБОТЫ**. Невыполнение инструкций и рекомендаций может привести к поражению электрическим током, пожару и/или тяжелым травмам.

1. Перед началом эксплуатации убедитесь в том, что пользователь должным образом проинструктирован по работе с этим пылесосом.
2. Перед началом эксплуатации операторы должны ознакомиться с информацией, инструкциями и пройти подготовку по эксплуатации машины и использованию веществ, для работы с которыми предназначена эта машина, включая безопасный способ сбора и удаления собранного материала.
3. В случае вытекания пены/жидкости немедленно выключите инструмент.
4. Регулярно очищайте ограничитель уровня воды и осматривайте его на предмет повреждений.
5. Перед использованием обязательно убедитесь в том, что фильтры установлены правильно. Не используйте пылесос без правильно установленных фильтров. Поврежденный фильтр следует немедленно заменить. Рекомендуется приобрести запасные фильтры, поскольку фильтры относятся к расходным материалам.
6. **НЕ ДОПУСКАЙТЕ СЛУЧАЙНОГО ПУСКА.** Устанавливая аккумулятор (аккумуляторы), обязательно убедитесь, что инструмент выключен.
7. Не используйте пылесос для сбора легко воспламеняющихся материалов, пиротехнических изделий, горящих сигарет, горячего пепла, горячей металлической стружки и острых материалов, в частности бритв, игл, битого стекла и т. п.
8. **ЗАПРЕЩЕНО ЭКСПЛУАТИРОВАТЬ ПЫЛЕСОС РЯДОМ С БЕНЗИНОМ, ГАЗОМ, КРАСКОЙ, КЛЕЯЩИМИ И ДРУГИМИ ВЗРЫВООПАСНЫМИ МАТЕРИАЛАМИ.** При установке переключателя в положение ON (Вкл.) и OFF (Выкл.) возможно возникновение искр. Искры могут также возникать во время работы коллектора электродвигателя. Результатом может стать сильный взрыв.
9. Запрещено использовать пылесос для уборки токсичных, канцерогенных, легко воспламеняющихся и других опасных материалов, таких как асбест, мышьяк, барий, бериллий, свинец, пестициды и другие вредные для здоровья вещества.
10. Всегда размещайте пылесос на горизонтальной ровной поверхности для предотвращения его падения или случайного перемещения.
11. Запрещено использовать пылесос вне помещения во время дождя.
12. Для Финляндии: устройство не следует использовать вне помещения при низкой температуре.
13. Не используйте пылесос вблизи источников тепла (печи и пр.).
14. Если выходящий из устройства воздух возвращается в помещение, необходимо обеспечить в помещении достаточный воздухообмен. Необходимо соблюдать государственные нормы.
15. Не блокируйте всасывающие впускные отверстия, выпускные отверстия или вентиляционные отверстия. Они обеспечивают охлаждение электродвигателя. Следите за тем, чтобы вентиляционные отверстия не засорились. В противном случае электродвигатель может сгореть из-за недостаточного охлаждения.
16. Всегда сохраняйте устойчивое положение и равновесие.
17. Не сгибайте, не тяните за шланг и не наступайте на него.
18. Немедленно выключите пылесос, если во время работы заметите признаки неисправности или падения мощности.
19. **СНИМИТЕ АККУМУЛЯТОР (АККУМУЛЯТОРЫ).** Если пылесос не используется, перед обслуживанием и при смене насадок.
20. Очищайте и обслуживайте пылесос сразу по окончании работы, чтобы поддерживать его в оптимальном техническом состоянии.
21. **СОБЛЮДАЙТЕ ОСТОРОЖНОСТЬ ВО ВРЕМЯ ОБСЛУЖИВАНИЯ ПЫЛЕСОСА.** Содержите пылесос в чистоте, чтобы обеспечить максимальную эффективность и безопасность эксплуатации. Следуйте инструкциям по смене насадок. Ручки инструмента всегда должны быть сухими и чистыми и не должны быть испачканы маслом или смазкой.
22. **ПРОВЕРЬТЕ ПОВРЕЖДЕННЫЕ КОМПОНЕНТЫ.** Перед дальнейшим использованием пылесоса ограждение или другую поврежденную деталь следует тщательно осмотреть, чтобы убедиться в том, что пылесос будет работать нормально и выполнять функции, для которых он предназначен. Убедитесь в соосности, отсутствии повреждений движущихся деталей, надежности крепления и отсутствии других дефектов, которые могут повлиять на работу электроинструмента. Поврежденное ограждение или какая-либо другая деталь должны быть соответствующим образом отремонтированы или заменены авторизованным сервисным центром, если в руководстве по эксплуатации не указано иное. Неисправные выключатели должны быть заменены в авторизованном сервисном центре. Не используйте пылесос, если выключатель не включает или не выключает его.

23. Примечание относительно самостоятельного обслуживания: устройство необходимо демонтировать, очистить и выполнить его техническое обслуживание, насколько это практически выполнимо, без риска для обслуживающего персонала и других лиц.
24. Производитель или подготовленный специалист должен не реже одного раза в год проводить техническую проверку машины, в то числе осмотр фильтров на отсутствие повреждений, проверку герметичности машины и надлежащего функционирования механизма управления.
25. При выполнении работ по обслуживанию или ремонту все загрязненные элементы, удовлетворительная очистка которых невозможна, следует утилизировать. Такие элементы следует сложить в непроницаемые мешки в соответствии с действующими положениями об утилизации таких отходов.
26. **ЗАПАСНЫЕ ЧАСТИ.** Во время обслуживания используйте для замены только аналогичные детали.
27. **ХРАНЕНИЕ ПЫЛЕСОСА.** Если пылесос не используется, храните его в помещении.
28. Перед помещением на хранение влажные фильтры и внутреннюю часть контейнера с жидкостью необходимо высушить.
29. Берегите пылесос. Небрежная эксплуатация может привести к поломке даже самого прочного пылесоса.
30. Запрещено использовать для очистки внутренних и внешних поверхностей бензин, растворитель или чистящие химикаты. Это может вызвать появление трещин и обесцвечивание.
31. Не используйте пылесос в замкнутом пространстве при наличии огнеопасных, взрывоопасных или токсичных паров от масляных красок, растворителей, бензина, некоторых средств защиты от моли и т. п., либо при наличии горючей пыли.
32. Не используйте это или другие устройства в состоянии алкогольного или наркотического опьянения.
33. Одним из основных правил техники безопасности является использование защитных очков с боковыми щитками.
34. Во время работы в запыленной зоне используйте респиратор.
35. Это устройство не предназначено для использования лицами (включая детей) с ограниченными физическими, сенсорными или умственными способностями, а также не имеющими надлежащего опыта и знаний.
36. Следите за маленькими детьми, чтобы они не использовали пылесос в качестве игрушки.
37. Запрещено прикасаться к аккумулятору (аккумуляторам) и пылесосу мокрыми руками.
38. Проявляйте особую осторожность при работе на лестницах.
39. Запрещено использовать пылесос в качестве табурета или верстака. Устройство может упасть и нанести травму.

Эксплуатация и обслуживание электроинструмента, работающего на аккумуляторах

1. **Заряжайте аккумулятор только зарядным устройством, указанным изготовителем.** Зарядное устройство, подходящее для одного типа аккумуляторов, может привести к пожару при его использовании с другим аккумуляторным блоком.
2. **Используйте электроинструмент только с указанными аккумуляторными блоками.** Использование других аккумуляторных блоков может привести к травме или пожару.
3. **Когда аккумуляторный блок не используется, храните его отдельно от металлических предметов, таких как скрепки, монеты, ключи, гвозди, шурупы или другие небольшие металлические предметы, которые могут привести к закорачиванию контактов аккумуляторного блока между собой.** Короткое замыкание между контактами аккумуляторного блока может привести к ожогам или пожару.
4. **При неправильном обращении из аккумуляторного блока может потечь жидкость.** Избегайте контакта с ней. В случае контакта с кожей промойте место контакта обильным количеством воды. В случае попадания в глаза обратитесь к врачу. Жидкость из аккумулятора может вызвать раздражение или ожоги.
5. **Не используйте поврежденные или модифицированные инструменты и аккумуляторные блоки.** Поврежденные или модифицированные аккумуляторы могут работать некорректно, что может привести к пожару, взрыву или травмированию.
6. **Не подвергайте аккумуляторный блок или инструмент воздействию огня или высокой температуры.** Воздействие огня или температуры выше 130 °C может привести к взрыву.
7. **Следуйте всем инструкциям по зарядке и не заряжайте аккумуляторный блок или инструмент при температурных условиях, выходящих за пределы диапазона, указанного в инструкции.** Зарядка ненадлежащим образом или при температурных условиях, выходящих за пределы указанного диапазона, может привести к повреждению батареи и повысить риск пожара.

СОХРАНИТЕ ДАННЫЕ ИНСТРУКЦИИ.

▲ОСТОРОЖНО: НЕ ДОПУСКАЙТЕ, чтобы удобство или опыт эксплуатации данного устройства (полученный от многократного использования) доминировали над строгим соблюдением правил техники безопасности при обращении с этим устройством. **НЕПРАВИЛЬНОЕ ИСПОЛЬЗОВАНИЕ** инструмента или несоблюдение правил техники безопасности, указанных в данном руководстве, может привести к тяжелой травме.

Важные правила техники безопасности для работы с аккумуляторным блоком

1. Перед использованием аккумуляторного блока прочитайте все инструкции и предупреждающие надписи на (1) зарядном устройстве, (2) аккумуляторном блоке и (3) инструменте, работающем от аккумуляторного блока.
2. Не разбирайте блок аккумулятора и не меняйте его конструкцию. Это может привести к пожару, перегреву или взрыву.
3. Если время работы аккумуляторного блока значительно сократилось, немедленно прекратите работу. В противном случае, может возникнуть перегрев блока, что приведет к ожогам и даже к взрыву.
4. В случае попадания электролита в глаза промойте их обильным количеством чистой воды и немедленно обратитесь к врачу. Это может привести к потере зрения.
5. Не замыкайте контакты аккумуляторного блока между собой:
 - (1) Не прикасайтесь к контактам какими-либо токопроводящими предметами.
 - (2) Не храните аккумуляторный блок в контейнере вместе с другими металлическими предметами, такими как гвозди, монеты и т. п.
 - (3) Не допускайте попадания на аккумуляторный блок воды или дождя.

Замыкание контактов аккумуляторного блока между собой может привести к возникновению большого тока, перегреву, возможным ожогам и даже поломке блока.

6. Не храните и не используйте инструмент и аккумуляторный блок в местах, где температура может достигать или превышать 50 °C (122 °F).
7. Не бросайте аккумуляторный блок в огонь, даже если он сильно поврежден или полностью вышел из строя. Аккумуляторный блок может взорваться под действием огня.
8. Запрещено вбивать гвозди в блок аккумулятора, резать, ломать, бросать, ронять блок аккумулятора или ударять его твердым предметом. Это может привести к пожару, перегреву или взрыву.
9. Не используйте поврежденный аккумуляторный блок.
10. Входящие в комплект литий-ионные аккумуляторы должны эксплуатироваться в соответствии с требованиями законодательства об опасных товарах.

При коммерческой транспортировке, например, третьей стороной или экспедитором, необходимо нанести на упаковку специальные предупреждения и маркировку.

В процессе подготовки устройства к отправке обязательно проконсультируйтесь со специалистом по опасным материалам. Также соблюдайте местные требования и нормы. Они могут быть строже. Закройте или закрепите разомкнутые контакты и упакуйте аккумулятор так, чтобы он не перемещался по упаковке.

11. Для утилизации блока аккумулятора извлеките его из инструмента и утилизируйте безопасным способом. Выполняйте требования местного законодательства по утилизации аккумуляторного блока.
12. Используйте аккумуляторы только с продукцией, указанной Makita. Установка аккумуляторов на продукцию, не соответствующую требованиям, может привести к пожару, перегреву, взрыву или утечке электролита.
13. Если инструментом не будут пользоваться в течение длительного периода времени, извлеките аккумулятор из инструмента.
14. Во время и после использования блок аккумулятора может нагреваться, что может стать причиной ожогов или низкотемпературных ожогов. Будьте осторожны при обращении с горячим блоком аккумулятора.
15. Не прикасайтесь к контактам инструмента сразу после использования, поскольку они могут быть достаточно горячими, чтобы вызвать ожоги.
16. Не допускайте налипания на контакты, отверстия и пазы блока аккумулятора опилок, пыли или земли. Это может стать причиной перегрева, возгорания, взрыва или неисправности инструмента или блока аккумулятора, что может привести к ожогам или травмам.
17. Если инструмент не рассчитан на использование вблизи высоковольтных линий электропередач, не используйте блок аккумулятора вблизи высоковольтных линий электропередач. Это может привести к неисправности, поломке инструмента или блока аккумулятора.
18. Храните аккумулятор в недоступном для детей месте.

СОХРАНИТЕ ДАННЫЕ ИНСТРУКЦИИ.

▲ВНИМАНИЕ: Используйте только фирменные аккумуляторные батареи Makita. Использование аккумуляторных батарей, не произведенных Makita, или батарей, которые были подвергнуты модификациям, может привести к взрыву аккумулятора, пожару, травмам и повреждению имущества. Это также автоматически аннулирует гарантию Makita на инструмент и зарядное устройство Makita.

Советы по обеспечению максимального срока службы аккумулятора

1. Заряжайте блок аккумуляторов перед его полной разрядкой. Обязательно прекратите работу с инструментом и зарядите блок аккумуляторов, если вы заметили снижение мощности инструмента.
2. Никогда не подзаряжайте полностью заряженный блок аккумуляторов. Перезарядка сокращает срок службы аккумулятора.

3. Заряжайте блок аккумуляторов при комнатной температуре в 10 - 40 °C (50 - 104 °F). Перед зарядкой горячего блока аккумуляторов дайте ему остыть.
4. Если блок аккумулятора не используется, извлеките его из инструмента или зарядного устройства.
5. Зарядите ионно-литиевый аккумуляторный блок, если вы не будете пользоваться инструментом длительное время (более шести месяцев).
16. Не нажимайте слишком сильно кнопку активации на беспроводном блоке и/или не нажимайте кнопку, используя объекты с острым краем.
17. Во время работы обязательно закрывайте крышку гнезда.
18. Не вытаскивайте беспроводной блок из гнезда, если на инструмент подано питание. Это может привести к неисправной работе беспроводного блока.
19. Не снимайте наклейку с беспроводного блока.
20. Не приклеивайте к беспроводному блоку никаких наклеек.
21. Не оставляйте беспроводной блок в таких местах, где может скапливаться статическое электричество или присутствовать электрические помехи.

Важные правила техники безопасности для работы с беспроводным блоком

1. Ни в коем случае не открывайте крышку гнезда самостоятельно при установке беспроводного блока.
2. Не разбирайте и не меняйте конструкцию беспроводного блока.
3. Храните беспроводной блок в недоступном для детей месте. При случайном проглатывании немедленно обратитесь к врачу.
4. Используйте беспроводной блок только с инструментами Makita.
5. Не подвергайте беспроводной блок воздействию дождя или влаги.
6. Не используйте беспроводной блок в тех местах, где температура превышает 50 °C.
7. Не используйте беспроводной блок в тех местах, где поблизости могут находиться медицинские инструменты, например, кардиостимуляторы.
8. Не используйте беспроводной блок в тех местах, где могут находиться автоматизированные устройства. При использовании автоматизированных устройств могут возникнуть сбои или ошибки.
9. Не используйте беспроводной блок в местах, где он может подвергнуться воздействию высокой температуры, статического электричества или электрических помех.
10. Беспроводной блок может создавать электромагнитные поля (EMF), которые не представляют опасности для пользователя.
11. Беспроводной блок является точным инструментом. Не роняйте и не ударяйте беспроводной блок.
12. Не прикасайтесь к клемме беспроводного блока голыми руками или металлическими предметами.
13. Во время установки беспроводного блока обязательно вытаскивайте аккумулятор из устройства.
14. Не открывайте крышку гнезда в таких местах, где в него может попасть пыль и вода. Входное отверстие гнезда всегда должно быть чистым.
15. Обязательно вставляйте беспроводной блок в правильном направлении.
22. Не оставляйте беспроводной блок в местах с высокой температурой, например на сиденье автомобиля в жару.
23. Не оставляйте беспроводной блок в местах, где присутствует пыль или порошок, или может образоваться коррозионный газ.
24. Внезапное изменение температуры может привести к образованию конденсата на беспроводном блоке. Не используйте беспроводной блок до тех пор, пока конденсат полностью не высохнет.
25. При чистке беспроводного блока аккуратно протрите его сухой мягкой тканью. Не используйте бензин, разбавитель, проводящую смазку или аналогичные материалы.
26. При хранении беспроводного блока поместите его в поставляемый футляр или в контейнер без статического электричества.
27. Не вставляйте в гнездо на инструменте никаких других устройств, кроме беспроводного блока Makita.
28. Не используйте инструмент с поврежденной крышкой гнезда. В гнездо может попасть вода, пыль и грязь, это может привести к неисправности.
29. Не тяните и/или не скручивайте крышку гнезда сильнее, чем это необходимо. Если крышка отсоединилась от инструмента, установите ее на место.
30. Замените крышку гнезда, если она утеряна или повреждена.

СОХРАНИТЕ ДАННЫЕ ИНСТРУКЦИИ.

ОПИСАНИЕ РАБОТЫ

ВНИМАНИЕ: Перед регулировкой или проверкой функций устройства обязательно убедитесь, что оно выключено и блоки аккумуляторов сняты.

Установка или снятие блока аккумуляторов

ВНИМАНИЕ: Обязательно выключайте инструмент перед установкой и извлечением блока аккумулятора.

ВНИМАНИЕ: При установке и извлечении блока аккумулятора крепко удерживайте пылесос и блок аккумулятора. Если не соблюдать это требование, они могут выскользнуть из рук, что приведет к повреждению пылесоса и блока аккумулятора, а также травмированию оператора.

ВНИМАНИЕ: Соблюдайте осторожность, чтобы не прищемить пальцы при открытии и закрытии крышки отсека аккумулятора. Несоблюдение этого требования может стать причиной травмы.

Для установки блока аккумулятора освободите фиксатор и откройте крышку отсека аккумулятора. После этого вставьте блок аккумулятора.

► **Рис.1:** 1. Зафиксируйте 2. Крышка отсека аккумулятора

Совместите выступ блока аккумулятора с пазом в корпусе и задвиньте его на место. Устанавливайте блок до упора так, чтобы он зафиксировался на месте с небольшим щелчком. Затем зафиксируйте крышку отсека аккумулятора.

► **Рис.2:** 1. Блок аккумулятора 2. Кнопка

Для снятия блока аккумулятора извлеките его из инструмента, нажав на кнопку на лицевой стороне блока аккумулятора.

ВНИМАНИЕ: Обязательно устанавливайте блок аккумулятора полностью. В противном случае он может случайно выпасть из пылесоса, причинив травму вам или кому-либо из окружающих.










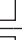






ВНИМАНИЕ: Не прилагайте чрезмерных усилий при установке аккумуляторного блока. Если блок не двигается свободно, значит он вставлен неправильно.

ПРИМЕЧАНИЕ: Пылесос не будет работать с одним блоком аккумулятора.

Индикация оставшегося заряда аккумулятора

Нажмите кнопку проверки на аккумуляторном блоке для проверки заряда. Индикаторы загорятся на несколько секунд.

► **Рис.3:** 1. Индикаторы 2. Кнопка проверки

Индикаторы			Уровень заряда
 Горит	 Выкл.	 Мигает	
			от 75 до 100%
			от 50 до 75%
			от 25 до 50%
			от 0 до 25%
			Зарядите аккумуляторную батарею.
			Возможно, аккумуляторная батарея неисправна.
			

ПРИМЕЧАНИЕ: В зависимости от условий эксплуатации и температуры окружающего воздуха индикация может незначительно отличаться от фактического значения.



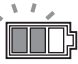


ПРИМЕЧАНИЕ: Первая (дальняя левая) индикаторная лампа будет мигать во время работы защитной системы аккумулятора.

Индикаторы аккумуляторов на панели управления

Уровень заряда аккумуляторов можно проверить в любой момент на панели управления. Нажмите кнопку проверки, и правый и левый индикаторы покажут уровень заряда соответствующих аккумуляторов.

► **Рис.4:** 1. Левый индикатор аккумулятора
2. Правый индикатор аккумулятора
3. Кнопка проверки

► **Рис.5**

Состояние индикатора аккумуляторной батареи			Уровень заряда аккумулятора
 Вкл.	 Выкл.	 Мигает	
			от 50 до 100%
			от 20 до 50%
			от 0 до 20%
			Зарядите аккумулятор
			Аккумулятор не вставлен

ПРИМЕЧАНИЕ: Индикатор аккумулятора работает при двух вставленных аккумуляторах.

ПРИМЕЧАНИЕ: Индикаторы аккумулятора также активируются в момент начала работы пылесоса.

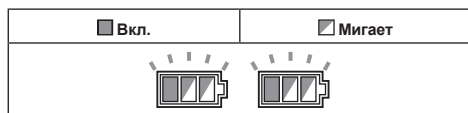
Система защиты устройства / аккумулятора

Устройство оснащено системой защиты устройства / аккумулятора. Эта система автоматически отключает питание двигателя для продления срока службы устройства и аккумулятора. Устройство автоматически прекратит работу в указанных далее случаях, влияющих на работу самого устройства или аккумулятора.

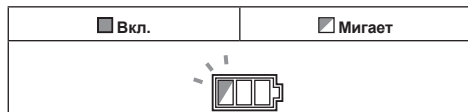
Защита от перегрузки

Если используемый режим работы устройства/аккумулятора приводит к возникновению слишком большого тока, происходит автоматическая остановка устройства. В этом случае выключите устройство и прекратите работу, из-за которой произошла перегрузка. Затем включите устройство для перезапуска.

Защита от перегрева



В случае перегрева устройства оно автоматически прекращает работу, а левый и правый индикаторы аккумулятора начинают мигать. В этом случае дайте устройству остыть и очистите фильтры, прежде чем включать устройство снова.



При перегреве аккумулятора устройство автоматически останавливается, а индикатор перегревшегося аккумулятора начинает мигать. В этом случае дайте аккумулятору остыть, прежде чем включать устройство снова.

Защита от переразрядки

При истощении заряда аккумулятора устройство автоматически останавливается. Если устройство не работает после нажатия выключателя, извлеките аккумуляторы из инструмента и зарядите их.

Защита от других неполадок

Система защиты также обеспечивает защиту от других неполадок, способных повредить устройство, и обеспечивает автоматическую остановку устройства. В случае временной остановки или прекращения работы устройства выполните все перечисленные ниже действия для устранения причины остановки.

1. Выключите и снова включите устройство для его перезапуска.
2. Зарядите аккумулятор(ы) или замените его(их) заряженным(и).

3. Дайте устройству и аккумулятору (аккумуляторам) остыть.

Если после возврата системы защиты в исходное состояние ситуация не изменится, обратитесь в сервисный центр Makita.

Действие выключателя

Включение пылесоса

1. Установите переключатель режима ожидания в положение "I" (ВКЛ.) или "AUTO" (ВКЛ.), чтобы перевести пылесос в режим ожидания.
2. Нажмите кнопку питания. Чтобы вновь переключиться в режим ожидания, нажмите кнопку питания еще раз.

Выключение пылесоса

Выполните одно из описанных ниже действий.

- Нажмите кнопку питания для возвращения пылесоса в режим ожидания.
- Установите переключатель режима ожидания в положение "O" (ВЫКЛ.).

Регулировка мощности всасывания

Мощность всасывания можно регулировать в зависимости от потребностей.

- Чтобы уменьшить силу всасывания, поверните регулятор силы всасывания влево.
- Чтобы увеличить силу всасывания, поверните регулятор силы всасывания вправо.

Выбор диаметра шланга

Установите ручку регулятора выбора диаметра шланга на значение диаметра шланга, который намереваетесь использовать.

ПРИМЕЧАНИЕ: Не устанавливайте ручку регулятора в зазор между цифрами. Обязательно устанавливайте ручку регулятора в соответствии с диаметром шланга.

- **Рис.6:** 1. Выключатель режима ожидания 2. Регулятор силы всасывания 3. Ручка регулятора выбора диаметра шланга 4. Кнопка питания

ПРИМЕЧАНИЕ: Если пылесос не планируется использовать в течение длительного времени, переключатель режима ожидания должен быть обязательно установлен со стороны значка "O". Находясь в состоянии ожидания, пылесос потребляет электроэнергию.

Предупреждающий сигнал

Существуют два типа звуковой сигнализации. Один из них представляет собой короткий звуковой сигнал, а другой — непрерывный звуковой сигнал.

- Когда скорость воздушного потока падает ниже 20 м/с, пылесос издает короткие предупредительные звуковые сигналы в целях безопасности. Услышав такие сигналы, проверьте, правильно ли установлена ручка регулятора диаметра шланга и не является ли сила всасывания слишком малой. Если сигналы продолжают звучать, выполните техническое обслуживание или обратитесь в ближайший сервисный центр.
- При заполнении контейнера жидкостью пылесос издает непрерывный предупредительный сигнал и автоматически останавливается. После остановки пылесоса выключите пылесос и вылейте жидкость из контейнера.

Автоматическое прекращение работы во время всасывания влажной пыли

⚠ ОСТОРОЖНО: Не используйте пылесос для сбора пены или мыльной жидкости. Это может привести к выходу пены из воздухоотводного отверстия. Непрерывное использование в таких условиях может привести к поражению электрическим током и выходу пылесоса из строя.

Пылесос имеет механизм, препятствующий проникновению воды в двигатель при всасывании больше определенного количества воды.

При заполнении контейнера жидкостью пылесос издает непрерывный предупредительный сигнал и автоматически останавливается. После остановки пылесоса выключите пылесос и вылейте жидкость из контейнера.

Система очистки фильтра

В данном устройстве установлена система очистки фильтра. Во время использования устройства система очистки фильтра автоматически удаляет пыль из фильтров, чтобы предотвратить снижение всасывающей силы в результате засорения фильтров.

В случае одновременного всасывания устройством большого количества пыли возможно уменьшение всасывающей силы. В этом случае рекомендуется произвести очистку фильтра вручную.

1. Выключите устройство.
2. Установите мощность всасывания на максимум, а затем закройте отверстие всасывающего шланга ладонью.
3. Включите устройство и дайте ему поработать около 15 секунд с перекрытым отверстием всасывающего шланга.

► **Рис.7:** 1. Отверстие всасывающего шланга

ПРИМЕЧАНИЕ: При активации системы очистки возможно изменение объема воздуха, что не является неисправностью.

Слив воды

При заполнении контейнера жидкостью выключите пылесос и откройте крышку водосливного отверстия для опорожнения контейнера.

► **Рис.8:** 1. Крышка сливного отверстия

Крышка

Крышка поставляется в комплекте с устройством. Установка крышки в отверстие для подсоединения шланга препятствует выходу всасываемой пыли из пылесоса.

► **Рис.9:** 1. Крышка

Блокировка и разблокирование роликов

Передние ролики могут блокироваться стопорами, помогая удерживать пылесос неподвижным. Опустите ручную рычаг ограничителя, чтобы заблокировать ролик, или поднимите его, чтобы снять блокировку.

- **Рис.10:** 1. Ролик 2. Рычаг ограничителя
3. Положение FREE (Разблокировано)
4. Положение LOCK (Заблокировано)

ПРИМЕЧАНИЕ: При перемещении пылесоса убедитесь, что ролик разблокирован. Перемещение пылесоса с заблокированным роликом может привести к повреждению ролика.

Рукоятка для переноски

⚠ ВНИМАНИЕ: Соблюдайте осторожность при подъеме и переноске пылесоса. Несоблюдение этого требования может привести к травме или повреждению устройства.

При переноске пылесоса удерживайте его за рукоятку на верхнем блоке. Если рукоятка не используется, ее можно сложить в верхний блок.

► **Рис.11**

В случае возникновения трудностей с переносом устройства в одиночку переносите его вдвоем, как показано на рисунке.

► **Рис.12**

► **Рис.13**

СБОРКА

⚠ ОСТОРОЖНО: Данное устройство может содержать опасную пыль. При замене фильтрующих элементов и пылесборного мешка или проведении технического обслуживания обязательно используйте респиратор класса P2.

⚠ ВНИМАНИЕ: Перед выполнением каких-либо работ с устройством обязательно убедитесь в том, что оно выключено и блоки аккумуляторов извлечены из устройства.

Установка и удаление мешочного фильтра

⚠ ОСТОРОЖНО: Обязательно используйте респиратор класса P2.

⚠ ОСТОРОЖНО: Перед использованием мешочного фильтра убедитесь в том, что вместе с ним используется фильтрующий блок. Неиспользование одновременно фильтрующего блока может вызвать необычный шум и нагрев, приводящий к возгоранию.

⚠ ОСТОРОЖНО: При использовании данного устройства по классу M следует обязательно использовать мешочный фильтр.

ПРИМЕЧАНИЕ: Ни в коем случае не собирайте воду или другие жидкости при использовании мешочного фильтра. Их всасывание может привести к разрыву мешочного фильтра.

1. Отстегните фиксирующие крючки и поднимите головной блок над контейнером.

► **Рис.14:** 1. Фиксирующий крюк

2. Разверните мешочный фильтр.

3. Совместите отверстие мешочного фильтра с пылезборным отверстием контейнера.

4. Насадите картонную вставку мешочного фильтра на инструмент таким образом, чтобы она располагалась в конце за выступом фиксатора.

► **Рис.15:** 1. Мешочный фильтр 2. Картонная панель с отверстием 3. Держатель мешочного фильтра 4. Входное отверстие для пыли 5. Кромка

При удалении мешочного фильтра потяните за кромку на входе мешочного фильтра таким образом, чтобы его входное отверстие закрылось бумагой.

Установка полиэтиленового мешка

Дополнительные принадлежности

Разложите полиэтиленовый мешок в баке и вставьте верхний край мешка с одной стороны между стопорной пластиной и передней стенкой бака.

Затем вытяните другие верхние кромки мешка наружу над верхними ободками контейнера. Вместе с мешочным фильтром может использоваться полиэтиленовый мешок.

► **Рис.16:** 1. Стопорная пластина 2. Передняя стенка бака 3. Полиэтиленовый мешок

ПРИМЕЧАНИЕ: Для этой цели может использоваться полиэтиленовый мешок, имеющийся в продаже. Рекомендуется использовать мешок толщиной более 0,04 мм и периметром более 2 000 мм.

ПРИМЕЧАНИЕ: Полиэтиленовый мешок легко рвется от слишком большого количества пыли, поэтому не переполняйте мешок. Выбрасывание тяжелого мешка может быть обременительным для организма человека.

Опорожнение бака с полиэтиленовым мешком

⚠ ОСТОРОЖНО: Прежде чем опорожнить бак, убедитесь в том, что пылесос выключен и блоки аккумуляторов извлечены. Несоблюдение этого требования может стать причиной поражения электрическим током и тяжелых травм.

ПРИМЕЧАНИЕ: Опорожняйте бак не реже одного раза в день, хотя это определяется объемом пыли в баке. В противном случае мощность всасывания снизится, и электромотор может выйти из строя.

ПРИМЕЧАНИЕ: Не беритесь за фиксирующие крючки при опорожнении контейнера. Цепляние за фиксирующие крючки может привести к их поломке.

1. Отстегните фиксирующие крючки и поднимите головной блок над контейнером.

2. Выньте полиэтиленовый мешок из контейнера, закрывая открытую сторону мешка рукой.

► **Рис.17:** 1. Полиэтиленовый мешок 2. Контейнер

ПРИМЕЧАНИЕ: Вынимайте полиэтиленовый мешок из бака осторожно, чтобы не порвать его, зацепившись за выступы бака.

ПРИМЕЧАНИЕ: Опорожните полиэтиленовый пакет, прежде чем он заполнится полностью. Слишком большое количество пыли в баке может привести к разрыву пакета.

Установка шланга

ПРИМЕЧАНИЕ: Запрещается сильно сгибать шланг и наступать на него. Запрещается тянуть пылесос за шланг. Наступив на шланг, потянув за него или приложив к нему чрезмерные усилия, можно повредить или деформировать шланг.

ПРИМЕЧАНИЕ: При сборе крупного мусора, например стружки, цементной пыли и т.п., используйте шланг с внутренним диаметром 38 мм (дополнительное оборудование). При использовании шланга с внутренним диаметром 28 мм (дополнительное оборудование) возможно его засорение и повреждение.

ПРИМЕЧАНИЕ: Каждый раз при отсоединении шланга от пылесоса обязательно надевайте крышку на крепежное отверстие.

Присоединение к пылесосу

Снимите крышку с крепежного отверстия. Крышку можно хранить с тыльной стороны пылесоса, пока шланг подсоединен к пылесосу.

► **Рис.18:** 1. Крышка

Вставьте конец шланга во входное отверстие для пыли (входное отверстие для шланга) пылесоса и поверните его по часовой стрелке до фиксации.

► **Рис.19:** 1. Шланг 2. Входное отверстие для пыли (входное отверстие для шланга)

Соединение с рабочими инструментами (в зависимости от страны)

Присоединив пылесос к совместимым электроинструментам, его можно использовать для удаления пыли при работе с этими инструментами.

Выберите передний патрубок или муфту (дополнительные принадлежности), наиболее подходящие для используемой модели инструмента. Если необходимо, установите патрубок или муфту между передним концом шланга пылесоса и отверстием для удаления пыли инструмента.

- **Рис.20:** 1. Передний патрубок или муфта 2. Шланг пылесоса
3. Электроинструмент 4. Пылесос

Установка или удаление насадок пылесоса

ВНИМАНИЕ: После установки насадки убедитесь в надежности ее крепления. При неправильной установке насадки она может соскочить и нанести травму.

При использовании насадки без фиксации

Дополнительные принадлежности

Вставьте насадку во всасывающее отверстие пылесоса и вкрутите ее вручную.

После использования открутите насадку вручную и вытащите ее из всасывающего отверстия.

- **Рис.21**

Установка кейсов МАКРАС

Дополнительные принадлежности

ВНИМАНИЕ: Не вставляйте и не садитесь сверху на устройство. Это может привести к его падению из-за потери устойчивости.

ВНИМАНИЕ: Будьте осторожны при установке кейсов МАКРАС. Несоблюдение данной рекомендации может привести к получению травмы или повреждению устройства.

ВНИМАНИЕ: Если на устройстве установлен кейс МАКРАС, не поднимайте устройство за ручку кейса МАКРАС.

ВНИМАНИЕ: При перемещении устройства с установленным кейсом МАКРАС следует толкать не кейс МАКРАС, а корпус устройства. При толкании кейса МАКРАС можно сломать защелки и уронить кейс МАКРАС, что может привести к получению травмы.

Поверх пылесоса могут устанавливаться подсоединяемые и штабелируемые кейсы для хранения принадлежностей МАКРАС. Предлагаемые кейсы имеют различные размеры и конструкции для удовлетворения предпочтений пользователя.

1. Раскройте защелки на верхней поверхности пылесоса.

- **Рис.22:** 1. Защелка

2. Установите кейсы МАКРАС поверх пылесоса и зафиксируйте их защелками.

- **Рис.23:** 1. Защелка 2. Кейс МАКРАС

Максимальная высота и масса устанавливаемых кейсов МАКРАС составляет 315 мм и 20 кг соответственно.

- **Рис.24**

ЭКСПЛУАТАЦИЯ

ОСТОРОЖНО: Обязательно используйте респиратор P2.

ВНИМАНИЕ: Если из инструмента выходит пена или жидкость, его следует немедленно выключить. Его дальнейшее использование в этом состоянии может привести к поражению электрическим током и выходу пылесоса из строя.

ФУНКЦИЯ БЕСПРОВОДНОЙ АКТИВАЦИИ

Дополнительные принадлежности

Что позволяет делать функция беспроводной активации

Функция беспроводной активации обеспечивает беспрепятственную и удобную работу. Подключив к пылесосу поддерживаемый инструмент, пылесос можно запускать автоматически, используя переключатель инструмента.

- **Рис.25**

ПРИМЕЧАНИЕ: Во время использования пылесоса с функцией беспроводной активации соблюдайте инструкции, указанные в руководстве по эксплуатации.

ПРИМЕЧАНИЕ: Не разбирайте и не меняйте конструкцию беспроводного блока.

ПРИМЕЧАНИЕ: Для предотвращения попадания пыли в гнездо беспроводного блока плотно закрывайте крышку во время работы и хранения.

ПРИМЕЧАНИЕ: Не нажимайте слишком сильно кнопку беспроводной активации и/или не нажимайте кнопку, используя объекты с острым краем.

ПРИМЕЧАНИЕ: Для использования беспроводной активации инструменты Makita должны быть оснащены беспроводным блоком.

ПРИМЕЧАНИЕ: Перед начальным использованием функции беспроводной активации необходимо выполнить регистрацию каждого инструмента. После выполнения регистрации инструмента повторная регистрация требуется только в том случае, если она была отменена.

ПРИМЕЧАНИЕ: Перед регистрацией убедитесь в том, что беспроводной блок надежно установлен.

ПРИМЕЧАНИЕ: На один беспроводной блок можно зарегистрировать до 10 соединений с другими беспроводными блоками. Если на один беспроводной блок зарегистрировано более 10 других беспроводных блоков, зарегистрированный первым блок будет отменен автоматически.

ПРИМЕЧАНИЕ: Положение кнопки беспроводной активации различается в зависимости от инструмента.

ПРИМЕЧАНИЕ: Пылесос запускается нажатием кнопки питания, когда выключатель режима ожидания установлен в положение «АВТО» (автоматический). Однако кнопка питания не сработает, если используется функция беспроводной активации.

Установка беспроводного блока

⚠ ОСТОРОЖНО: Откройте крышку, только если устанавливаете беспроводной блок в первый раз. Ни в коем случае не открывайте крышку после его установки.

⚠ ВНИМАНИЕ: При установке беспроводного блока поместите пылесос на ровную и устойчивую поверхность.

ПРИМЕЧАНИЕ: Перед началом установки беспроводного блока удалите пыль и грязь с пылесоса. Если пыль или грязь попадет в гнездо беспроводного блока, это может привести к неисправности.

ПРИМЕЧАНИЕ: Во избежание сбоев в результате воздействия статического электричества, прежде чем поднимать беспроводной блок, прикоснитесь к материалу, позволяющему снять статический заряд, например к металлической части.

ПРИМЕЧАНИЕ: При установке беспроводного блока всегда следите за тем, чтобы беспроводной блок был вставлен в правильном направлении, и крышка была полностью закрыта.

1. Ослабьте винт, чтобы открыть крышку на пылесосе, как показано на рисунке.
► **Рис.26:** 1. Крышка 2. Винт

2. Вставьте беспроводной блок в гнездо.
При вставке беспроводного блока выровняйте выступы с углубленными участками в гнезде.
► **Рис.27:** 1. Беспроводной блок 2. Защита 3. Крышка 4. Углубленный участок

3. Затяните винт до упора, чтобы закрыть крышку.

Регистрация инструмента для пылесоса

ПРИМЕЧАНИЕ: Для регистрации инструмента необходим инструмент Makita, поддерживающий функцию беспроводной активации.

ПРИМЕЧАНИЕ: Перед началом регистрации инструмента завершите установку беспроводного блока в инструмент.

ПРИМЕЧАНИЕ: Во время регистрации инструмента не тяните за триггерный переключатель инструмента и не включайте переключатель питания на пылесосе.

ПРИМЕЧАНИЕ: См. также руководство по эксплуатации инструмента.

Если необходимо активировать пылесос одновременно с переключением инструмента, сначала завершите регистрацию инструмента.

1. Установите беспроводные блоки в пылесос и инструмент соответственно.
2. Установите аккумуляторы в пылесос и инструмент.
3. Установите выключатель режима ожидания на пылесосе в положение «АВТО» (автоматический).
► **Рис.28:** 1. Выключатель режима ожидания
4. Нажмите и удерживайте кнопку беспроводной активации на пылесосе в течение 3 секунд, пока лампа беспроводной активации не замигает зеленым цветом. Затем таким же образом нажмите кнопку беспроводной активации на инструменте.
► **Рис.29:** 1. Кнопка беспроводной активации 2. Лампа беспроводной активации

Если пылесос и инструмент надежно соединены друг с другом, то лампы беспроводной активации будут гореть зеленым светом в течение 2 секунд, затем начнут мигать синим цветом.

ПРИМЕЧАНИЕ: Через 20 секунд лампы беспроводной активации связи закончат мигать зеленым цветом. Если на пылесосе мигает лампа беспроводной активации, нажмите кнопку беспроводной активации на инструменте. Если лампа беспроводной активации не мигает зеленым цветом, нажмите кнопку беспроводной активации на короткое время, а затем снова удерживайте ее.

ПРИМЕЧАНИЕ: При выполнении двух или более регистраций инструмента для пылесоса завершите регистрацию инструмента одну за другой.

Запуск функции беспроводной активации

ПРИМЕЧАНИЕ: Для беспроводной активации завершите регистрацию инструмента для пылесоса.

ПРИМЕЧАНИЕ: Всегда размещайте пылесос так, чтобы можно было видеть состояние лампы беспроводной активации.

ПРИМЕЧАНИЕ: См. также руководство по эксплуатации инструмента.

После регистрации инструмента для пылесоса можно использовать переключатель инструмента для автоматического запуска пылесоса.

1. Установите беспроводные блоки в пылесос и инструмент соответственно.
2. Установите аккумуляторы в пылесос и инструмент.
3. Подсоедините шланг пылесоса к инструменту.

► Рис.30

4. Установите выключатель режима ожидания на пылесосе в положение «АUTO» (автоматический).

► Рис.31: 1. Выключатель режима ожидания

5. На короткое время нажмите кнопку беспроводной активации на инструменте. Лампа беспроводной активации мигает синим цветом.

► Рис.32: 1. Кнопка беспроводной активации
2. Лампа беспроводной активации

6. Включите инструмент. Проверьте, работает ли пылесос во время работы инструмента.

ВНИМАНИЕ: Перед началом работы с инструментом убедитесь в том, что функция беспроводной активации работает.

Для отключения беспроводной активации нажмите кнопку беспроводной активации на инструменте или переведите выключатель режима ожидания на пылесосе в положение "I" или "O".

ПРИМЕЧАНИЕ: Если в течение 2 часов не будет выполняться никаких действий, то лампа беспроводной активации на инструменте перестанет мигать синим цветом. В этом случае установите выключатель режима ожидания на пылесосе в положение «АUTO» (автоматический) и снова нажмите кнопку беспроводной активации на инструменте.

ПРИМЕЧАНИЕ: Пылесос запускается/останавливается с задержкой. Когда пылесос обнаруживает переключение выключателя инструмента, возникает временная задержка.

ПРИМЕЧАНИЕ: Дальность передачи беспроводного блока может варьироваться в зависимости от местоположения и окружающих предметов.

ПРИМЕЧАНИЕ: Если за одним пылесосом закреплено два или несколько инструментов, то пылесос может начать работать, даже если вы не включаете инструмент, поскольку другой пользователь использует функцию беспроводной активации.

Отмена регистрации инструмента для пылесоса

При отмене регистрации инструмента для пылесоса выполните следующую процедуру.

1. Установите беспроводные блоки в пылесос и инструмент соответственно.
2. Установите аккумуляторы в пылесос и инструмент.
3. Установите выключатель режима ожидания на пылесосе в положение «АUTO» (автоматический).

► Рис.33: 1. Выключатель режима ожидания

4. Нажмите и удерживайте кнопку беспроводной активации на пылесосе в течение 6 секунд. Лампа беспроводной активации мигает зеленым, а затем переключается на красный цвет. После этого нажмите кнопку беспроводной активации на инструменте таким же образом.

► Рис.34: 1. Кнопка беспроводной активации
2. Лампа беспроводной активации

Если отмена выполнена успешно, лампы беспроводной активации загорятся красным цветом на 2 секунды и начнут мигать синим цветом.

ПРИМЕЧАНИЕ: По истечении 20 секунд лампы беспроводной активации прекращают мигать красным цветом. Если на пылесосе мигает лампа беспроводной активации, нажмите кнопку беспроводной активации на инструменте. Если лампа беспроводной активации не мигает красным цветом, нажмите кнопку беспроводной активации на короткое время, а затем снова удерживайте ее.

Удаление всех записей регистрации инструмента

Вы можете удалить все записи регистрации инструмента для пылесоса следующим образом.

► Рис.35: 1. Выключатель режима ожидания
2. Кнопка беспроводной активации
3. Лампа беспроводной активации











1. Установите беспроводной блок в пылесос.
2. Установите аккумуляторы в пылесос.
3. Установите выключатель режима ожидания в положение «АUTO» (автоматический).
4. Удерживайте кнопку беспроводной активации в течение приблизительно 6 секунд, пока лампа беспроводной активации не замигает красным цветом (приблизительно дважды в секунду).
5. Когда лампа беспроводной активации начнет мигать красным цветом, отпустите кнопку беспроводной активации. После этого снова удерживайте кнопку беспроводной активации приблизительно 6 секунд.
6. Когда лампа беспроводной активации начнет быстро мигать (приблизительно 5 раз в секунду) красным цветом, отпустите кнопку беспроводной активации. Когда лампа беспроводной активации загорается красным и позже гаснет, это означает, что все записи регистрации удалены.

ПРИМЕЧАНИЕ: Если лампа беспроводной активации не мигает красным цветом, нажмите кнопку беспроводной активации на короткое время и попробуйте снова.

Описание статуса лампы беспроводной активации

- **Рис.36:** 1. Кнопка беспроводной активации
2. Лампа беспроводной активации

Лампа беспроводной активации отображает состояние функции беспроводной активации. Значения состояния лампы см. в таблице ниже.

Состояние	Лампа беспроводной активации				Описание
	Цвет	 Вкл	 Мигает	Продолжительность (приблизительная)	
Ожидание	Синий			Пылесос: постоянно Инструмент: 2 часа	Ожидание регистрации инструмента, или функция беспроводной активации доступна. Лампа на пылесосе мигает, когда выключатель режима ожидания установлен в положение «АUTO» (автоматический). Лампа на инструменте мигает, когда нажата кнопка беспроводной активации. Если в течение 2 часов не будет выполняться никаких операций, лампа на инструменте автоматически выключится.
				Пока инструмент работает.	
Регистрация инструмента	Зеленый			20 секунд	Готовность к регистрации инструмента. Поиск инструмента для регистрации.
				2 секунды	Регистрация инструмента завершена. Лампа беспроводной активации начнет мигать синим цветом.
Отмена/удаление регистрации инструмента	Красный	 (медленно: 2 раза/с)		20 секунд	Готовность к отмене регистрации инструмента. Поиск инструмента для отмены.
		 (быстро: 5 раз/с)		Когда нажата кнопка беспроводной активации.	Готовность удалить все записи регистрации инструментов.
				2 секунды	Регистрация инструмента отменена/удалена. Лампа беспроводной активации начнет мигать синим цветом.
Прочие	Красный			3 секунды	На беспроводной блок подается питание, и запускается функция беспроводной активации.
	Выкл	-		-	Выключатель режима ожидания не установлен в положение «АUTO» (автоматический).

Поиск и устранение неисправностей для функции беспроводной активации

Прежде чем обращаться по поводу ремонта, проведите осмотр самостоятельно. Если обнаружена неисправность, не указанная в руководстве, не пытайтесь разобрать инструмент. Обратитесь в один из авторизованных сервисных центров Makita, в которых для ремонта всегда используются оригинальные детали Makita.

Состояние неисправности	Возможная причина (неисправности)	Способ устранения
Лампа беспроводной активации не горит/мигает.	Беспроводной блок не установлен в пылесос и/или инструмент. Беспроводной блок неправильно установлен в пылесос и/или инструмент.	Правильно установите беспроводной блок.
	Не нажата кнопка беспроводной активации на инструменте.	На короткое время нажмите кнопку беспроводной активации на инструменте.
	Выключатель режима ожидания на пылесосе не установлен в положение «АUTO» (автоматический).	Установите выключатель режима ожидания на пылесосе в положение «АUTO» (автоматический).
	Отсутствует электропитание	Подайте питание на инструмент и пылесос.
Не удается успешно завершить регистрацию/отмену регистрации инструмента.	Беспроводной блок не установлен в пылесос и/или инструмент. Беспроводной блок неправильно установлен в пылесос и/или инструмент.	Правильно установите беспроводной блок.
	Выключатель режима ожидания на пылесосе не установлен в положение «АUTO» (автоматический).	Установите выключатель режима ожидания на пылесосе в положение «АUTO» (автоматический).
	Отсутствует электропитание	Подайте питание на инструмент и пылесос.
	Неверная операция	На короткое время нажмите кнопку беспроводной активации и снова выполните процедуру регистрации/отмены.
	Большое расстояние между инструментом и пылесосом (вне диапазона передачи).	Расположите инструмент и пылесос ближе друг к другу. Максимальное расстояние передачи составляет приблизительно 10 м, однако оно может изменяться в зависимости от обстоятельств.
	Перед завершением регистрации инструмента/отменой; - выключатель инструмента переведен в положение «On» (Вкл.); или - кнопка питания на пылесосе переведена в положение «On» (Вкл.).	На короткое время нажмите кнопку беспроводной активации и снова выполните процедуру регистрации/отмены.
	Процедура регистрации инструмента для инструмента или пылесоса не завершена.	Одновременно выполните процедуры регистрации инструмента для инструмента и для пылесоса.
	Радиопомехи от других приборов, которые генерируют радиоволны высокой интенсивности.	Избегайте эксплуатации инструмента и пылесоса рядом с такими приборами, как устройства Wi-Fi и микроволновые печи.

Состояние неисправности	Возможная причина (неисправности)	Способ устранения
Пылесос не работает при использовании переключателя инструмента.	Беспроводной блок не установлен в пылесос и/или инструмент. Беспроводной блок неправильно установлен в пылесос и/или инструмент.	Правильно установите беспроводной блок.
	Не нажата кнопка беспроводной активации на инструменте.	На короткое время нажмите кнопку беспроводной активации и убедитесь в том, что лампа беспроводной активации мигает синим цветом.
	Выключатель режима ожидания на пылесосе не установлен в положение «АУТО» (автоматический).	Установите выключатель режима ожидания на пылесосе в положение «АУТО» (автоматический).
	В пылесосе зарегистрировано более 10 инструментов.	Выполните повторную регистрацию инструмента. Если в пылесосе зарегистрировано более 10 инструментов, инструмент, зарегистрированный самым первым, будет автоматически отменен.
	Пылесос удалил все записи регистрации инструментов.	Выполните повторную регистрацию инструмента.
	Отсутствует электропитание	Подайте питание на инструмент и пылесос.
	Большое расстояние между инструментом и пылесосом (вне диапазона передачи).	Расположите инструмент и пылесос ближе друг к другу. Максимальное расстояние передачи составляет приблизительно 10 м, однако оно может изменяться в зависимости от обстоятельств.
	Радиопомехи от других приборов, которые генерируют радиоволны высокой интенсивности.	Избегайте эксплуатации инструмента и пылесоса рядом с такими приборами, как устройства Wi-Fi и микроволновые печи.
Пылесос работает в то время, когда инструмент не работает.	Другие пользователи используют беспроводную активацию пылесоса с помощью своих инструментов.	Отключите кнопку беспроводной активации других инструментов или отмените регистрацию инструмента для других инструментов.
Не удается удалить все записи регистрации в пылесосе.	Нажатие кнопки беспроводной активации на инструменте.	Для удаления всех записей регистрации инструментов нажмите кнопку беспроводной активации на пылесосе.
	Выключатель режима ожидания на пылесосе не установлен в положение «АУТО» (автоматический).	Установите выключатель режима ожидания на пылесосе в положение «АУТО» (автоматический).
	Кнопка беспроводной активации удерживается неправильно.	Удерживайте кнопку беспроводной активации более 6 секунд, затем отпустите ее, когда лампа беспроводной активации будет мигать красным цветом. Повторно удерживайте кнопку беспроводной активации более 6 секунд до тех пор, пока она не начнет быстро мигать красным цветом, затем отпустите кнопку.

ОБСЛУЖИВАНИЕ

⚠ ОСТОРОЖНО: При выполнении технического обслуживания обязательно пользуйтесь респиратором класса P2.

⚠ ВНИМАНИЕ: Перед проведением осмотра или технического обслуживания устройства необходимо выключить его и извлечь блоки аккумуляторов.

⚠ ВНИМАНИЕ: Не реже одного раза в год обученным персоналом должен проводиться технический осмотр, включая осмотр фильтров, а также проверку герметичности и механизма управления.

⚠ ВНИМАНИЕ: Во время технического обслуживания необходимо удалить все загрязненные элементы, которые не могут быть очищены до удовлетворительного состояния. Такие элементы могут утилизироваться в непроницаемых мешках, соответствующих нормативным требованиям, действующим в вашей стране.

⚠ ВНИМАНИЕ: После работы в опасной зоне внешняя поверхность инструмента должна быть очищена от загрязнений методами вакуумной очистки и вытерта дочиستا или обработана герметиком до извлечения инструмента из опасной зоны. При извлечении из опасной зоны все части инструмента должны считаться загрязненными с необходимостью принятия соответствующих мер во избежание распространения пыли.

⚠ ВНИМАНИЕ: Заменяйте фильтры при их засорении пылью или возникновении признаков снижения производительности пылесоса.

⚠ ВНИМАНИЕ: Периодически проверяйте состояние фильтров. В случае обнаружения разрыва фильтров их следует немедленно заменить.

ПРИМЕЧАНИЕ: Запрещается использовать бензин, растворители, спирт и другие подобные жидкости. Это может привести к обесцвечиванию, деформации и трещинам.

Для обеспечения БЕЗОПАСНОСТИ и НАДЕЖНОСТИ оборудования ремонт, любое другое техобслуживание или регулировку необходимо производить в уполномоченных сервис-центрах Makita или сервис-центрах предприятия с использованием только сменных частей производства Makita.

Извлечение фильтрующего блока

⚠ ВНИМАНИЕ: Выждите около 5 минут, чтобы пыль в контейнере полностью осела.

⚠ ВНИМАНИЕ: При извлечении фильтрующего блока соблюдайте осторожность, с тем чтобы не допустить проникновения пыли под крышку контейнера.

Фильтрующий блок прикреплен к головному блоку. Он состоит из верхней пластины, фильтров предварительной очистки, демпферов и пылевых фильтров.

1. Отстегните фиксирующие крючки и поднимите головной блок над контейнером.

2. Извлеките фильтрующий блок из головного блока, как показано на рисунке.

► Рис.37: 1. Защелка 2. Фильтрующий блок

Извлечение пылевого фильтра и фильтра предварительной очистки

Поднимите выступ и выньте фильтры из верхней пластины.

► Рис.38: 1. Верхняя пластина 2. Фильтры 3. Выступ

Во избежание перетекания пыли в воздух предпочтительно производить извлечение фильтров в полиэтиленовом мешке.

При переносе фильтрующего блока с целью очистки прочно завяжите полиэтиленовый мешок.

► Рис.39: 1. Фильтрующий блок 2. Полиэтиленовый мешок

► Рис.40: 1. Верхняя пластина 2. Фильтры 3. Полиэтиленовый мешок

Очистка пылевого фильтра, фильтра предварительной очистки и демпфера

Периодически следует производить очистку фильтров и демпфера. Использование засоренных фильтров и демпфера может привести к ухудшению всасывающих характеристик.

Регулярно счищайте накопившуюся пыль с фильтров и демпфера.

Время от времени промывайте пылевой фильтр, фильтр предварительной очистки и демпфер в воде, ополаскивайте и тщательно высушивайте их в тени перед использованием. Ни в коем случае не стирайте их в стиральной машине.

► Рис.41

ПРИМЕЧАНИЕ: Не трите и не скребите пылевой фильтр, фильтр предварительной очистки или демпфер твердыми предметами, такими как щетка или скребок.

ПРИМЕЧАНИЕ: Со временем фильтры изнашиваются. Рекомендуется приобрести запасные фильтры.

Установка пылевого фильтра и фильтра предварительной очистки

ПРИМЕЧАНИЕ: Пылевой фильтр и фильтр предварительной очистки могут собирать как сухую, так и влажную пыль. Во избежание поломки пылевого фильтра убедитесь в том, что датчики уровня воды должным образом активированы.

Зацепите кромки фильтрующего блока за верхнюю пластину, а затем опустите выступ.

► **Рис.42:** 1. Кромка 2. Выступ

ПРИМЕЧАНИЕ: Перед использованием пылевого фильтра убедитесь, что установлены фильтр предварительной очистки и демпфер. Запрещается устанавливать только пылевой фильтр.

Сборка фильтров

При получении фильтров по отдельности соберите их, как показано на рисунке.

► **Рис.43:** 1. Пылевой фильтр 2. Демпфер
3. Фильтр предварительной очистки

Установка фильтрующего блока

После установки фильтров на верхнюю пластину зацепите отверстия фильтрующего блока за U-образные детали внутренней крышки. Затем заблокируйте защелку, как показано на рисунке.

► **Рис.44:** 1. U-образная деталь 2. Отверстие 3. Защелка

Установка водяного фильтра

Дополнительные принадлежности

ПРИМЕЧАНИЕ: При сборе влажной пыли убедитесь в том, что датчики уровня воды должным образом активированы.

ПРИМЕЧАНИЕ: Не пользуйтесь фильтром предварительной очистки и демпфером при использовании водяного фильтра.

Для того чтобы собирать только воду или влажную пыль, удобнее пользоваться водяным фильтром, нежели пылевым фильтром и фильтром предварительной очистки.

При установке водяного фильтра совместите его с верхней пластиной таким же образом, как и пылевой фильтр и фильтр предварительной очистки.

► **Рис.45**

ПРИМЕЧАНИЕ: В случае систематического сбора большого количества воды рекомендуется использовать водяной фильтр. В противном случае, при использовании пылевого фильтра и фильтра предварительной очистки, возможно снижение всасывающей способности.

Очистка датчиков уровня воды

Датчики уровня воды обнаруживают жидкость при заполнении ею контейнера. Периодически очищайте датчики уровня мягкой тканью при замене фильтров.

► **Рис.46:** 1. Датчик уровня воды

Хранение дополнительного оборудования

Неиспользуемые принадлежности и приспособления, в частности насадки, трубы и крышка, могут храниться повешенными на крючок с тыльной стороны пылесоса.

► **Рис.47:** 1. Неиспользуемые принадлежности и приспособления 2. Крышка

Трубы (с установленным дополнительным ограничителем) можно вставить в держатель трубы, если нужно ненадолго прервать работу пылесоса.

► **Рис.48:** 1. Ограничитель (дополнительная принадлежность) 2. Держатель трубы

Шланг можно обернуть вокруг корпуса или рукоятки пылесоса большими витками. Соедините концы шланга между собой, чтобы получились петли, и наденьте эти петли на подтянутую рукоятку. Вы также можете не вынимать шланг из входного отверстия для шланга и уложить витки шланга на универсальный держатель, закрепив свободный конец.

► **Рис.49**

► **Рис.50**

ДОПОЛНИТЕЛЬНЫЕ ПРИНАДЛЕЖНОСТИ

ВНИМАНИЕ: Данные принадлежности или приспособления рекомендуются для использования с инструментом Makita, указанным в настоящем руководстве. Использование других принадлежностей или приспособлений может привести к получению травмы. Используйте принадлежность или приспособление только по указанному назначению.

Если вам необходимо содействие в получении дополнительной информации по этим принадлежностям, свяжитесь с вашим сервис-центром Makita.

- Шланг
- Передние патрубки (22, 24, 38)
- Прямая труба
- Угловая насадка
- Круглая щетка
- Пылевой фильтр M, H (HEPA)
- Демпфер
- Фильтр предварительной очистки
- Водяной фильтр
- Патрубок в сборе
- Изогнутая труба
- Полиэтиленовый мешок
- Мешочный фильтр
- Крышка
- Оригинальный аккумулятор и зарядное устройство Makita
- Беспроводной блок
- Кейс МАКРАС

ПРИМЕЧАНИЕ: Некоторые элементы списка могут входить в комплект инструмента в качестве стандартных приспособлений. Они могут отличаться в зависимости от страны.

Makita Europe N.V. Jan-Baptist Vinkstraat 2,
3070 Kortenberg, Belgium

Makita Corporation 3-11-8, Sumiyoshi-cho,
Anjo, Aichi 446-8502 Japan

www.makita.com

885990-967 EN, SL, SQ, BG, HR, MK, SR, RO, UK, RU 20220831
--