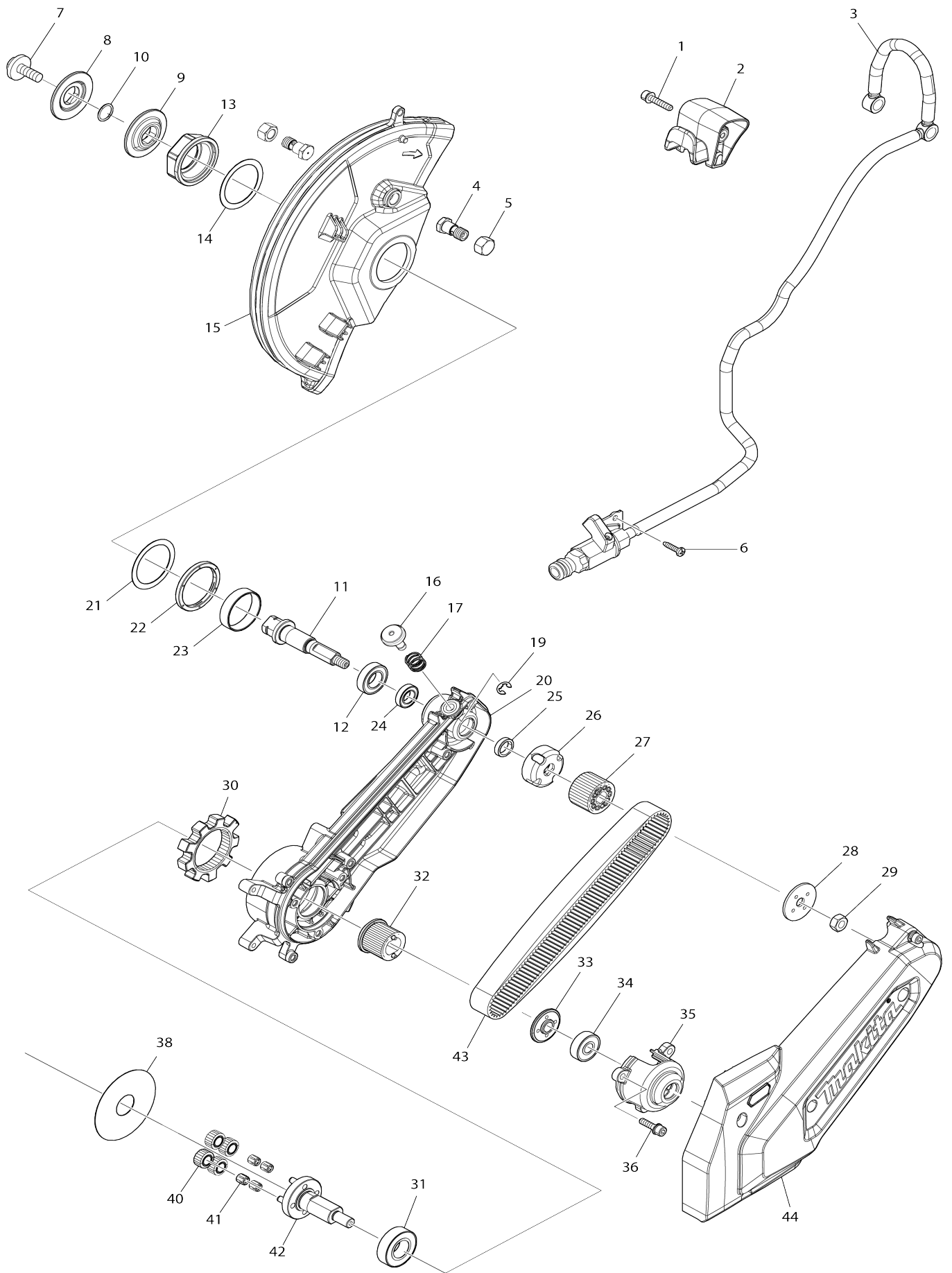
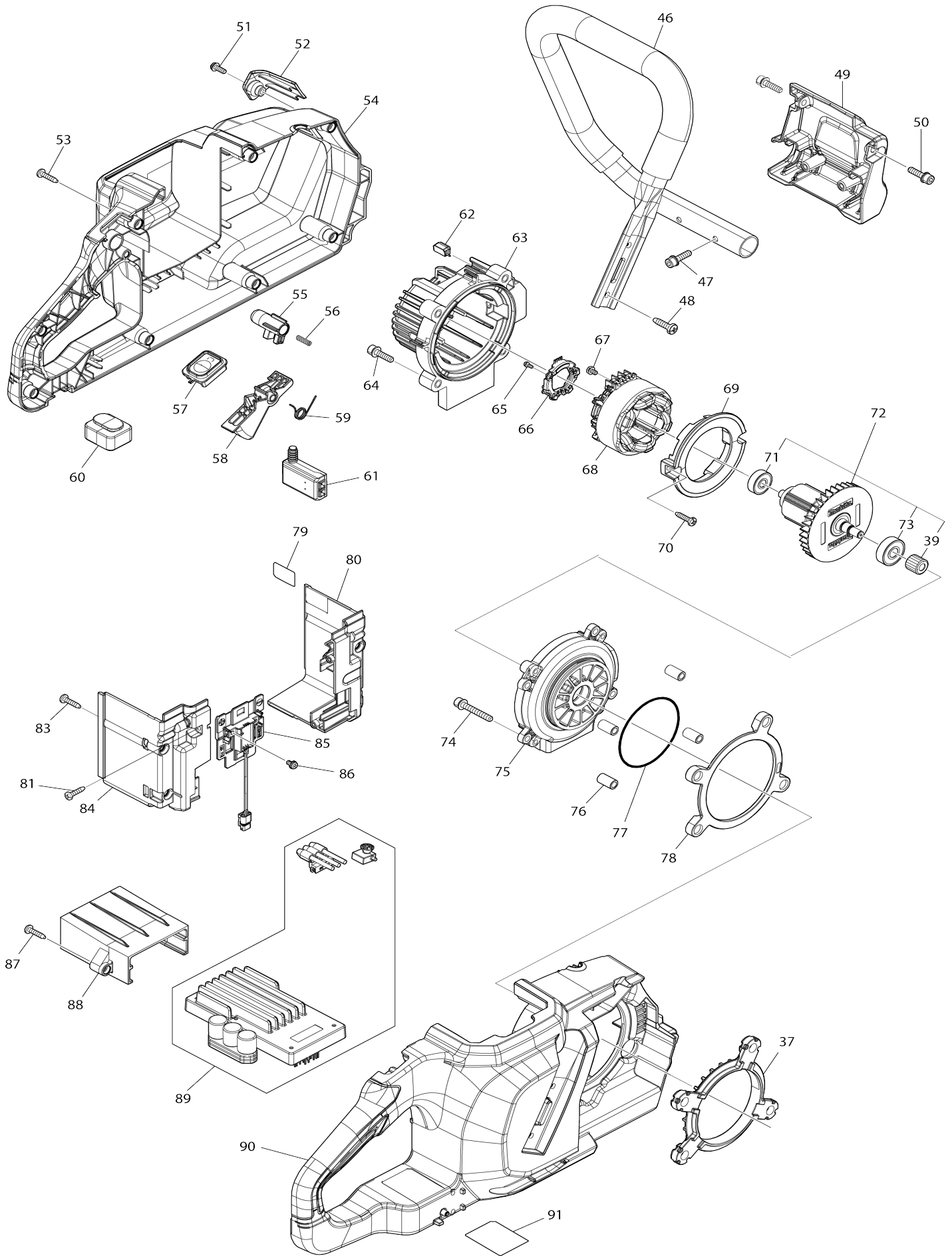


# Model No.CE003G 230MM CORDLESS POWER CUTTER



# Model No.CE003G 230MM CORDLESS POWER CUTTER



Model No.CE003G 230MM CORDLESS POWER CUTTER

Item No.	Parts No.	Description	Interchangability	Q'ty	New/Old	Note1	Note2
001	922243-3	HEX. SOCKET HEAD BOLT M5X25		1			
002	413Y26-7	WHEEL COVER GRIP		1			
003	122G28-1	HOSE ASSEMBLY		1			
004	265C26-9	HEX.BOLT M10X21		2			
005	252306-4	HEX.NUT M10		2			
006	266326-2	TAPPING SCREW 4X18		2			
007	266690-1	HEX. BOLT M8X25		1			
008	224604-6	OUTER FLANGE 46		1			
009	224605-4	INNER FLANGE 46		1			
010	213162-7	O RING 14		1			
011	327E57-9	SPINDLE		1			
012	211244-9	BALL BEARING 6902LLU		1			
013	312F61-7	BEARING RETAINER		1			
014	261178-6	POLYACETAL WASHER 38		1			
015	312F01-5	WHEEL COVER 230		1			
016	137186-8	PIN CAP ASS'Y		1			
017	233089-5	COMPRESSION SPRING 12		1			
019	961012-7	STOP RING E-6		1			
020	312E99-6	CUTTING DEVICE		1			
021	261178-6	POLYACETAL WASHER 38		1			
022	422B46-2	RUBBER RING 39		1			
023	257A32-6	RING 35		1			
024	210245-4	BALL BEARING 6801LLU		1			
025	257A31-8	RING 12		1			
026	347C25-4	PULLY BOTTOM PLATE		1			
027	222212-7	PULLEY 21-30.7		1			
028	347C26-2	PULLEY PLATE 36		1			
029	931402-8	HEX. NUT M8		1			
030	227B45-7	INTERNAL GEAR 55		1			
031	210301-0	BALL BEARING 6003DDW		1			
032	222213-5	PULLEY 21-27.5		1			
033	327D38-7	PULLEY PLATE 32		1			
034	211092-6	BALL BEARING 629DDW		1			
035	312F02-3	PULLEY COVER		1			
036	922233-6	H.S.H.BOLT M5X20 WITH WR		3			
037	422B44-6	DAMPER A		1			
038	253599-6	FLAT WASHER 20		1			
039	227B43-1	SPUR GEAR 17		1			
040	227B44-9	SPUR GEAR 18		4			
041	212265-4	NEEDLE CAGE 508		4			
042	141V23-2	CARRIER COMPLETE		1			
043	225111-2	SYNCHRO BELT 20-500		1			
044	137110-1	BELT COVER ASSEMBLY		1			
C10	265B09-3	H.S. HEAD BOLT M5X30 WITH WR		5			
046	327D37-9	FRONT GRIP 26		1			
047	922233-6	H.S.H.BOLT M5X20 WITH WR		2			
048	266420-0	TAPPING SCREW 5X20		2			

049	312F04-9	STAND SUPPORT		1		
050	922233-6	H.S.H.BOLT M5X20 WITH WR		2		
051	911118-1	PAN HEAD SCREW M4X12		1		
052	413Y18-6	LENS		1		
053	266326-2	TAPPING SCREW 4X18		8		
054	1830N5-4	HOUSING SET		1		
054		INC. 90				
055	413Y21-7	LOCK OFF BUTTON		1		
056	232444-8	COMPRESSION SPRING 4		1		
057	141V21-6	SWITCH CIRCUIT COMPLETE		1		
058	413Y20-9	SWITCH LEVER		1		
059	232854-9	TORSION SPRING 10		1		
060	422823-0	REAR FOOT		1		
061	632V44-0	SWITCH UNIT		1		
062	620N97-3	LED CIRCUIT		1		
063	413Y19-4	MOTOR HOUSING		1		
064	922233-6	H.S.H.BOLT M5X20 WITH WR		4		
065	652119-7	PAN HEAD SCREW M2X6		3		
066	620P38-1	SENSOR UNIT		1		
067	652069-6	FLAT HEAD SCREW M3X6		3		
068	629C70-4	STATOR		1		
069	413Y22-5	BAFFLE PLATE		1		
070	266326-2	TAPPING SCREW 4X18		2		
071	210023-2	BALL BEARING 627DDW		1		
072	510601-1	ROTOR ASS'Y		1		
072		INC. 39,71,73				
073	211092-6	BALL BEARING 629DDW		1		
074	922258-0	H.S.H.BOLT M5X35 WITH WR		4		
075	312F00-7	BEARING BOX		1		
076	257A33-4	SLEEVE 6		4		
077	213720-9	O RING 67		1		
078	422B45-4	DAMPAR B		1		
079	8146M6-7	CE003G SERIAL NO.LABEL		1		
080	1830M9-9	TERMINAL BOX SET		1		
C10	263005-3	RUBBER PIN 6		2		
080		INC. 84				
081	266326-2	TAPPING SCREW 4X18		2		
083	266326-2	TAPPING SCREW 4X18		4		
084	1830M9-9	TERMINAL BOX SET		1		
C10	263005-3	RUBBER PIN 6		2		
084		INC. 80				
085	632V23-8	TERMINAL UNIT		1		
086	652031-1	PAN HEAD SCREW M3X6		2		
087	266326-2	TAPPING SCREW 4X18		2		
088	413Y25-9	CONTROLLER CASE		1		
089	620N99-9	CONTROLLER		1		
090	1830N5-4	HOUSING SET		1		
090		INC. 54				
091	8146M4-1	CE003G NAME PLATE		1		
A01	122G62-1	WRENCH HOLDER ASSEMBLY		1		
A02	123121-2	COUPLING SLEEVE		1		

A03	782039-2	BOX WRENCH 13-19		1			
A04	E-03006	ABRASIVE CUT-OFF WHEEL/ INO X		1			

Please state Parts No. when your order.

Print Date 11. 12. 2024