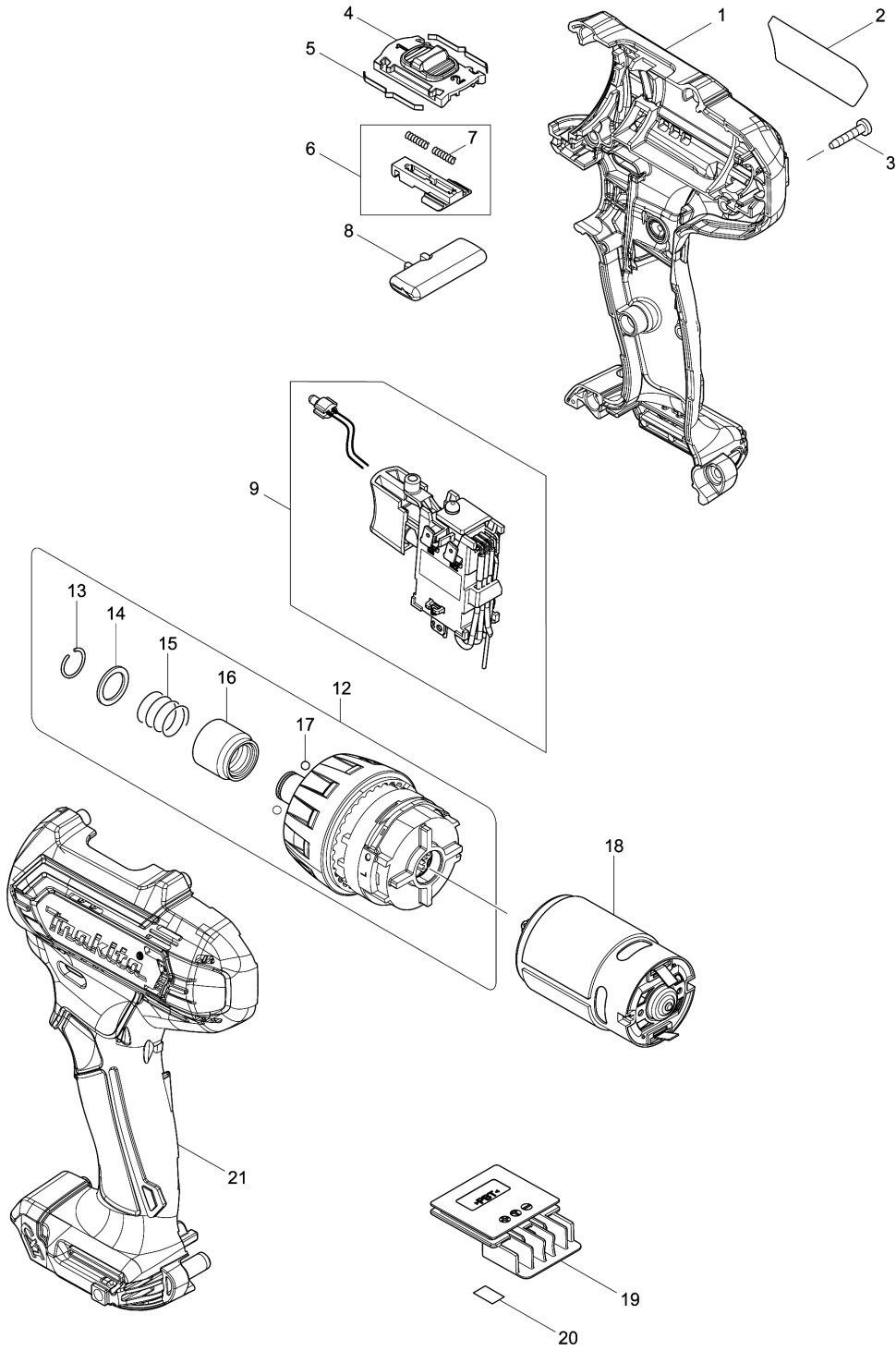


Model No.DF033D CORDLESS DRIVER DRILL





Model No.DF033D CORDLESS DRIVER DRILL

Položaj	Številka dela	Opis	Sprememba	Količina	New/Old	Opcijsko 1	Opcijsko 2	Opomba
001	183K90-5	HOUSING SET		1				
C10	252126-6	Šesterokotna matica M4-7 MT070		2				
D10		INC. 21						
002	855E57-4	DF033D NAME PLATE		1				
003	266429-2	Samovrezni vijak 3x16		9				
004	459026-3	SPEED CHANGE LEVER		1				
005	232493-5	LEAF SPRING		2				
006	127127-2	CHANGE LEVER ASSEMBLY		1				
D10		INC. 7						
007	233025-1	Tlačna spiralna vzmet 2		2				
008	456039-5	F/R CHANGE LEVER		1				
009	632J76-5	SWITCH UNIT		1				
C10	620625-0	LED CIRCUIT		1				
C20	688161-2	Linjski filter za enosmerno napetost		1				
012	127126-4	GEAR ASSEMBLY N		1	*			
D10		INC. 13-17			*			
012-1	127598-3	GEAR ASSEMBLY M	<	1				
D10		INC. 13-17						
013	231965-7	Obročna vzmet 10 TD090D		1				
014	347004-4	BIT WASHER		1				
015	233005-7	Tlačna spiralna vzmet 13		1				
016	326677-6	BIT SLEEVE		1				
017	216019-1	Kovinska kroglica 3		2				
018	629395-8	DC MOTOR		1				
019	644813-5	TERMINAL		1				
020	855E64-7	DF033D SERIAL NO. LABEL		1				
021	183K90-5	HOUSING SET		1				
C10	252126-6	Šesterokotna matica M4-7 MT070		2				
D10		INC. 1						
A01	251314-2	Vijak M4x12		1				
A02	346909-5	HOOK		1				
A03	784244-7	BIT 2-50		1				
A04B	821661-1	PLASTIC CARRYING CASE		1				
C10	417724-5	Zaponka		2				
A04C	821661-1	PLASTIC CARRYING CASE		1				
C10	417724-5	Zaponka		2				
A04D	821661-1	PLASTIC CARRYING CASE		1				
C10	417724-5	Zaponka		2				
A04E	821661-1	PLASTIC CARRYING CASE		1				
C10	417724-5	Zaponka		2				

Model No.DF033D CORDLESS DRIVER DRILL

Položaj	Številka dela	Opis	Sprememba	Količina	New/Old	Opcijsko 1	Opcijsko 2	Opomba
A05B	818P05-0	DF033DWYE MODEL NO. LABEL		1				
A05C	818P10-7	DF033DWAE MODEL NO. LABEL		1				
A05D	818P12-3	DF033DSME MODEL NO. LABEL		1				
A05E	818P14-9	DF033DWME MODEL NO. LABEL		1				
A08B	456128-6	BATTERY COVER		1				
A08C	456128-6	BATTERY COVER		1				
A08D	456128-6	BATTERY COVER		1				
A08E	456128-6	BATTERY COVER		1				
A09B	***DC10WD	DC10WD BATTERY CHARGER		1				
D10		COMPO-PARTS						
A09C	***DC10WD	DC10WD BATTERY CHARGER		1				
D10		COMPO-PARTS						
A09D	***DC10SB	DC10SB BATTERY CHARGER		1				
D10		COMPO-PARTS						
A09E	***DC10WD	DC10WD BATTERY CHARGER		1				
D10		COMPO-PARTS						
A10B	197393-5	BATTERY BL1016 SET		2				
A10C	197396-9	BATTERY BL1021B SET		2	*			
A10D	197406-2	BATTERY BL1041B SET		2	*			
A10E	197406-2	BATTERY BL1041B SET		2	*			
A10-1C	197396-9	BATTERY BL1021B SET	O	2				
A10-1D	197406-2	BATTERY BL1041B SET	O	2				
A10-1E	197406-2	BATTERY BL1041B SET	O	2				
E01	632N11-7	LINE FILTER UNIT		1				

Please order the parts with part number.

Print Date 26/1/2021