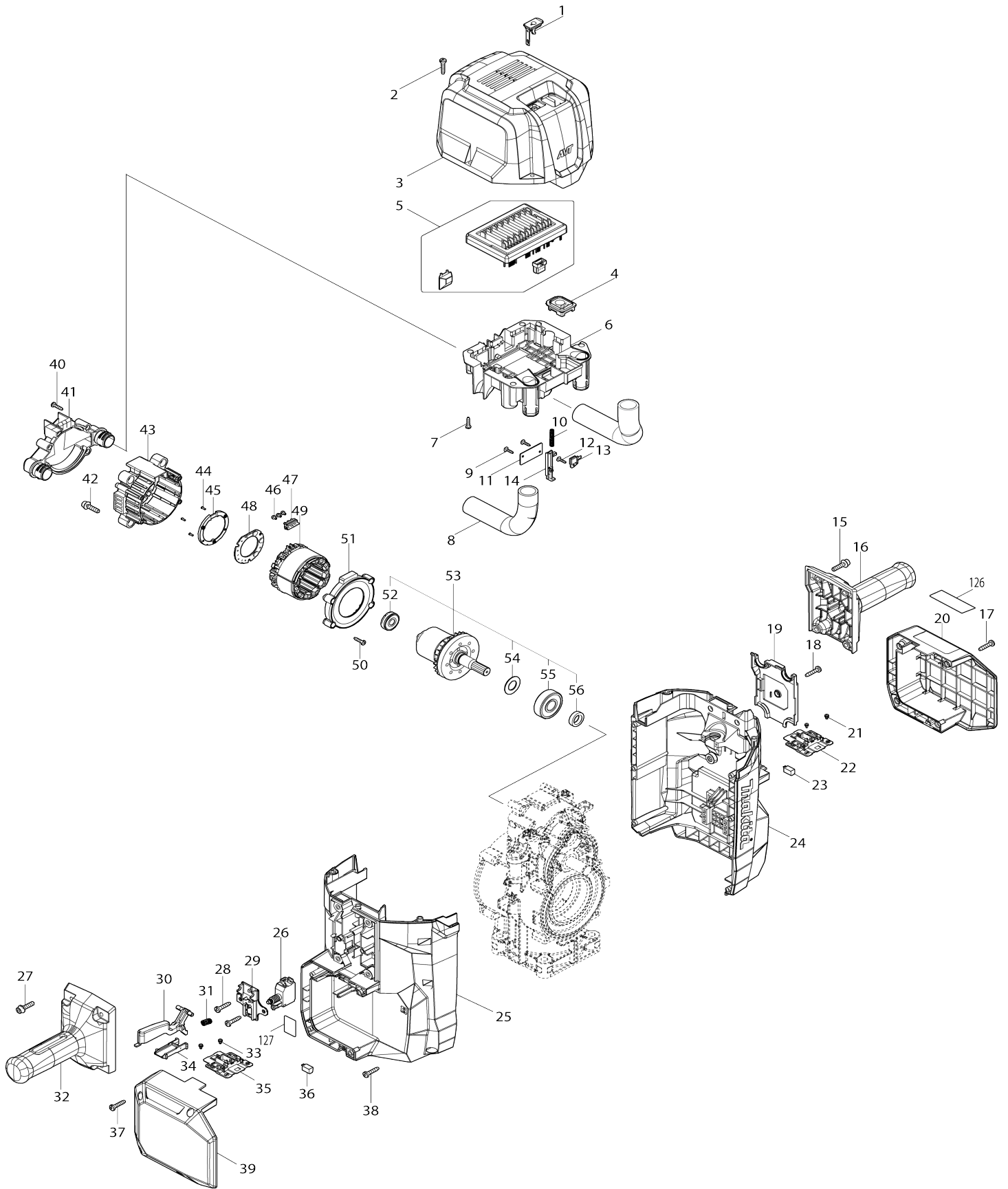
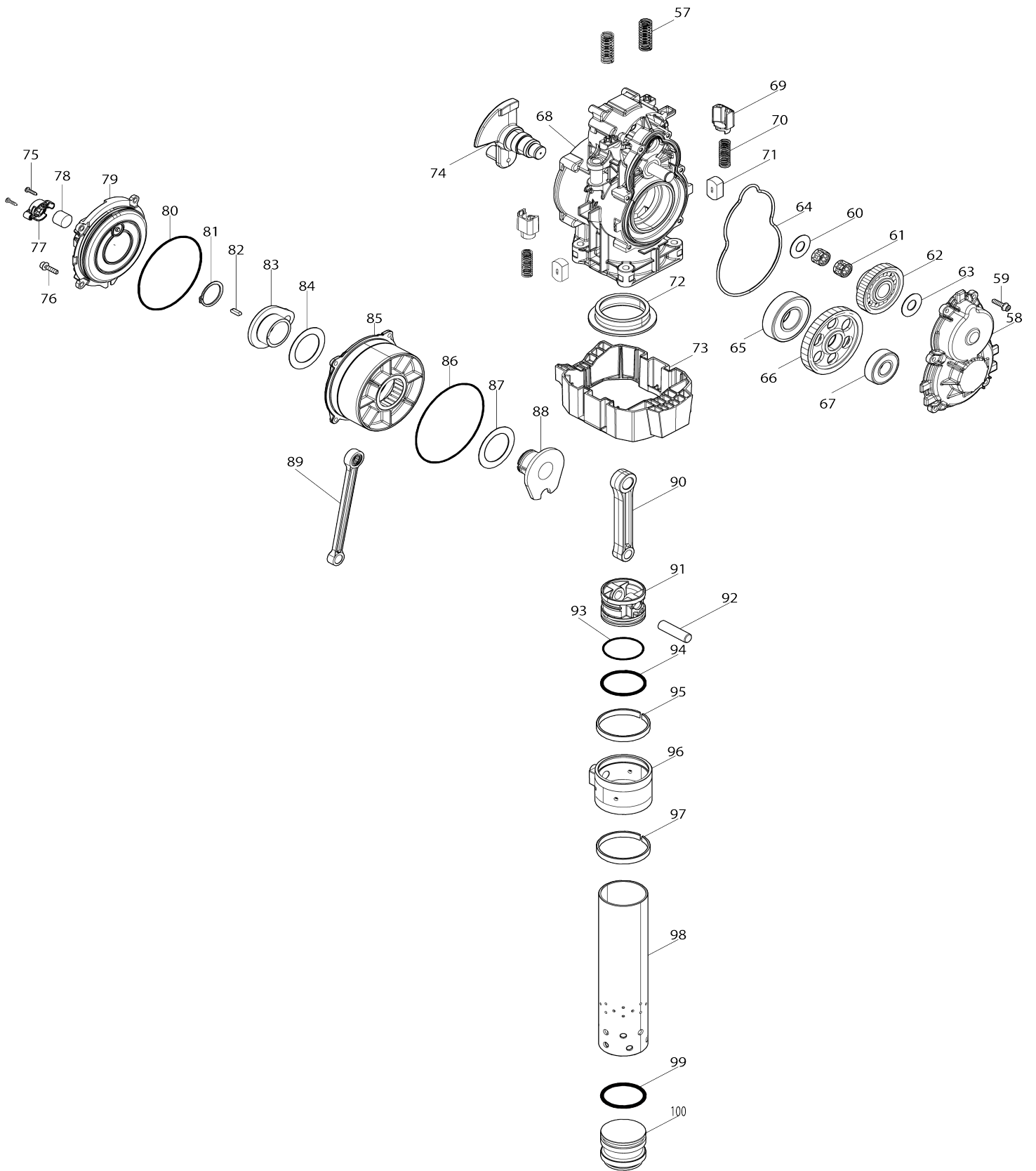


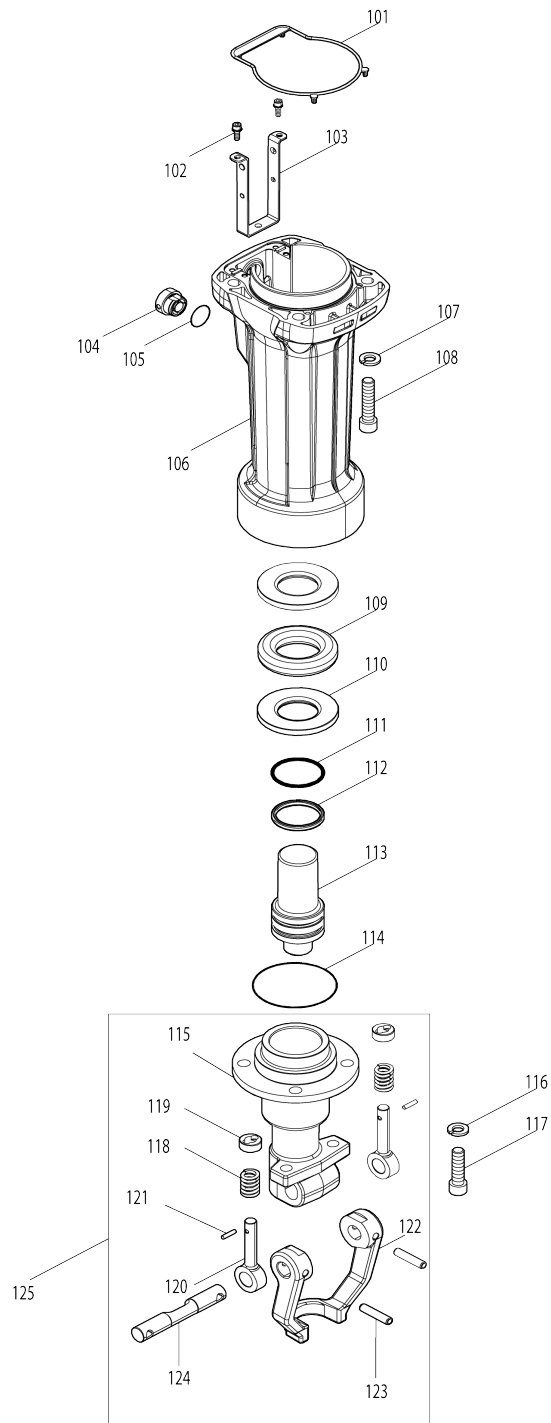
Model No.HM004G CORDLESS BREAKER



Model No.HM004G CORDLESS BREAKER



Model No.HM004G CORDLESS BREAKER



Model No.HM004G CORDLESS BREAKER

Item No.	Parts No.	Description	Interchangability	Q'ty	New/Old	Note1	Note2
001	140G30-2	CAP COMPLETE		1			
C10	213218-6	O RING 16		1			
002	266041-8	TAPPING SCREW 5X25		6			
003	413W53-2	HEAD COVER		1			
004	620M94-3	SWITCH CIRCUIT COMPLETE		1			
005	620M83-8	CONTROLLER		1			
006	413W57-4	CONTROLLER COVER		1			
007	265995-6	TAPPING SCREW 4X18		4			
008	245070-4	HOSE 23		2			
009	263046-9	TAPPING SCREW 3X14		2			
010	232833-7	COMPRESSION SPRING 5		1			
011	347B99-9	PLATE		1			
012	263046-9	TAPPING SCREW 3X14		1			
013	620M85-4	SENSOR CIRCUIT		1			
014	141U69-2	LEVER COMPLETE		1			
015	266923-4	H.S.HEAD BOLT M6X25 WITH GM		4			
016	413W59-0	HANDLE B		1			
017	266041-8	TAPPING SCREW 5X25		4			
018	266041-8	TAPPING SCREW 5X25		1			
019	413W61-3	HANDLE BASE B COVER		1			
020	137097-7	BATTERY COVER B ASSEMBLY		1			
C10	263005-3	RUBBER PIN 6		2			
021	652031-1	PAN HEAD SCREW M3X6		2			
022	632T07-4	TERMINAL UNIT		1			
023	620H50-3	LED CIRCUIT		1			
024	137098-5	HANDLE BASE B ASSEMBLY		1			
C10	263005-3	RUBBER PIN 6		2			
025	137094-3	HANDLE BASE A ASSEMBLY		1			
C10	263005-3	RUBBER PIN 6		2			
026	650738-3	SWITCH C3JW-C-P		1			
027	266923-4	H.S.HEAD BOLT M6X25 WITH GM		4			
028	266041-8	TAPPING SCREW 5X25		2			
029	413W54-0	SWITCH COVER		1			
030	413W60-5	SWITCH LEVER		1			
031	232834-5	COMPRESSION SPRING 7		1			
032	413W58-2	HANDLE A		1			
033	652031-1	PAN HEAD SCREW M3X6		2			
034	455511-4	SWITCH GUIDE		1			
035	632T07-4	TERMINAL UNIT		1			
036	620H50-3	LED CIRCUIT		1			
037	266041-8	TAPPING SCREW 5X25		4			
038	266041-8	TAPPING SCREW 5X25		6			
039	137096-9	BATTERY COVER A ASSEMBLY		1			
C10	263005-3	RUBBER PIN 6		2			
040	265995-6	TAPPING SCREW 4X18		4			
041	141U70-7	AIR DUCT COMPLETE		1			
042	266923-4	H.S.HEAD BOLT M6X25 WITH GM		4			

043	413W47-7	MOTOR HOUSING		1		
044	266490-9	TAPPING SCREW PT 2X6		3		
045	687B69-9	STOPPER		1		
046	652031-1	PAN HEAD SCREW M3X6		3		
047	638A80-8	LEAD UNIT		1		
048	620M84-6	CONTROLLER B		1		
049	629C64-9	STATOR		1		
050	265995-6	TAPPING SCREW 4X18		4		
051	413W48-5	BAFFLE PLATE		1		
052	210232-3	BALL BEARING 6200DDW		1		
053	510600-3	ROTOR ASSY		1		
053		INC. 52,54-56				
054	267487-1	FLAT WASHER 17		1		
055	211152-4	BALL BEARING 6303LLU		1		
056	332129-7	SEALING SCREW		1		
057	232832-9	COMPRESSION SPRING 15		2		
058	312E79-2	GEAR COVER		1		
059	266923-4	H.S.HEAD BOLT M6X25 WITH GM		6		
060	267290-0	FLAT WASHER 18		1		
061	212099-5	NEEDLE CAGE 1816		2		
062	227B17-2	GEAR COMPLETE 21-52		1		
063	267290-0	FLAT WASHER 18		1		
064	422B04-8	SEAL RING		1		
065	211500-7	BALL BEARING 6307LLU		1		
066	227B16-4	HELICAL GEAR 52_A		1		
067	210234-9	BALL BEARING 2216LLB		1		
068	141U68-4	CRANK HOUSING COMPLETE		1		
069	413W49-3	SPRING HOLDER		2		
070	232831-1	COMPRESSION SPRING 12		2		
071	422B05-6	DAMPER		2		
072	332131-0	SPACER		1		
073	413W50-8	CENTER COVER		1		
074	327C96-7	CRANK SHAFT		1		
075	265995-6	TAPPING SCREW 4X18		2		
076	266923-4	H.S.HEAD BOLT M6X25 WITH GM		4		
077	413W46-9	FILTER COVER		1		
078	443127-7	FILTER		1		
079	413W45-1	CRANK CAP		1		
080	213810-8	O-RING 124		1		
081	961156-3	RETAINING RING S-40		1		
082	254220-0	KEY 5		1		
083	142921-1	CRANK COMPLETE		1		
084	267486-3	FLAT WASHER 50		1		
085	142952-0	CRANK BOX COMPLETE		1		
086	213902-3	O RING 135		1		
087	267486-3	FLAT WASHER 50		1		
088	310619-0	COUNTER SHAFT		1		
089	142922-9	CONNECTING ROD COMPLETE		1		
090	455490-6	CONNECTING ROD		1		
091	455509-1	PISTON		1		
092	268328-4	PIN 15 C		1		
093	213662-7	O RING 55		1		

094	213799-0	O-RING 56		1		
095	455492-2	SPACER 72		1		
096	142920-3	BALLANCER COMPLETE		1	*	
096-1	123361-2	BALANCER ASSEMBLY	X	1		
096-1		INC. 95,97				
097	455492-2	SPACER 72		1		
098	332130-2	CYLINDER LINER 66		1		
099	213799-0	O-RING 56		1		
100	326470-8	STRIKER		1		
101	424666-6	SEAL RING A		1		
102	266071-9	HEX. SOCKET HEAD BOLT M5X16		2		
103	346840-5	PLATE		1		
104	450347-6	CAP		1		
105	213953-6	O RING 24		1		
106	312E80-7	BARREL		1		
107	942301-9	SPRING WASHER 12		4		
108	922677-0	HEX. SOCKET BOLT M12X55		4		
109	262174-7	RUBBER RING 47		1		
110	332127-1	WASHER 42		2		
111	213798-2	O-RING 47		1		
112	213797-4	X-RING 47		1		
113	326469-3	IMPACT BOLT		1		
114	213757-6	O RING 80		1		
115	310616-6	TOOL HOLDER 29		1		
116	942301-9	SPRING WASHER 12		4		
117	265989-1	HEX. SOCKET BOLT M12X45		4		
118	233083-7	COMPRESSION SPRING 12		2		
119	322560-5	RETAINER RING		2		
120	322477-2	TOOL RETAINER POLE		2		
121	256219-1	PIN 4		2		
122	324236-0	TOOL RETAINER		1		
123	951272-9	SPRING PIN 8-40		2		
124	324238-6	TOOL RETAINER SHAFT		1		
125	135669-2	TOOL HOLDER ASS'Y		1		
125		INC. 115,118-124				
126	8145E4-9	HM004G NAME PLATE		1		
127	8145E6-5	HM004G SERIAL NO.LABEL		1		
A01	783203-8	HEX. WRENCH 5		1		
A02	B-10372	28.6MM HEX SELF SHARPENING		1		
A03	198900-7	WIRELESS UNIT SET		1	*	
A03-1	198900-7	WIRELESS UNIT SET	O	1	*	
A03-2	198900-7	WIRELESS UNIT SET	<	1		
B01	1914A5-3	HAMMER SERVICE KIT		1		
C10	1914C5-7	GREASE SET		5		
B01		INC. 94,99,111,112				
E01	819R43-7	SOUND 105DB LABEL		1		
F05	JM00000674	HAMMER CARRIER		1		

Please state Parts No. when your order.

Print Date 28. 11. 2024