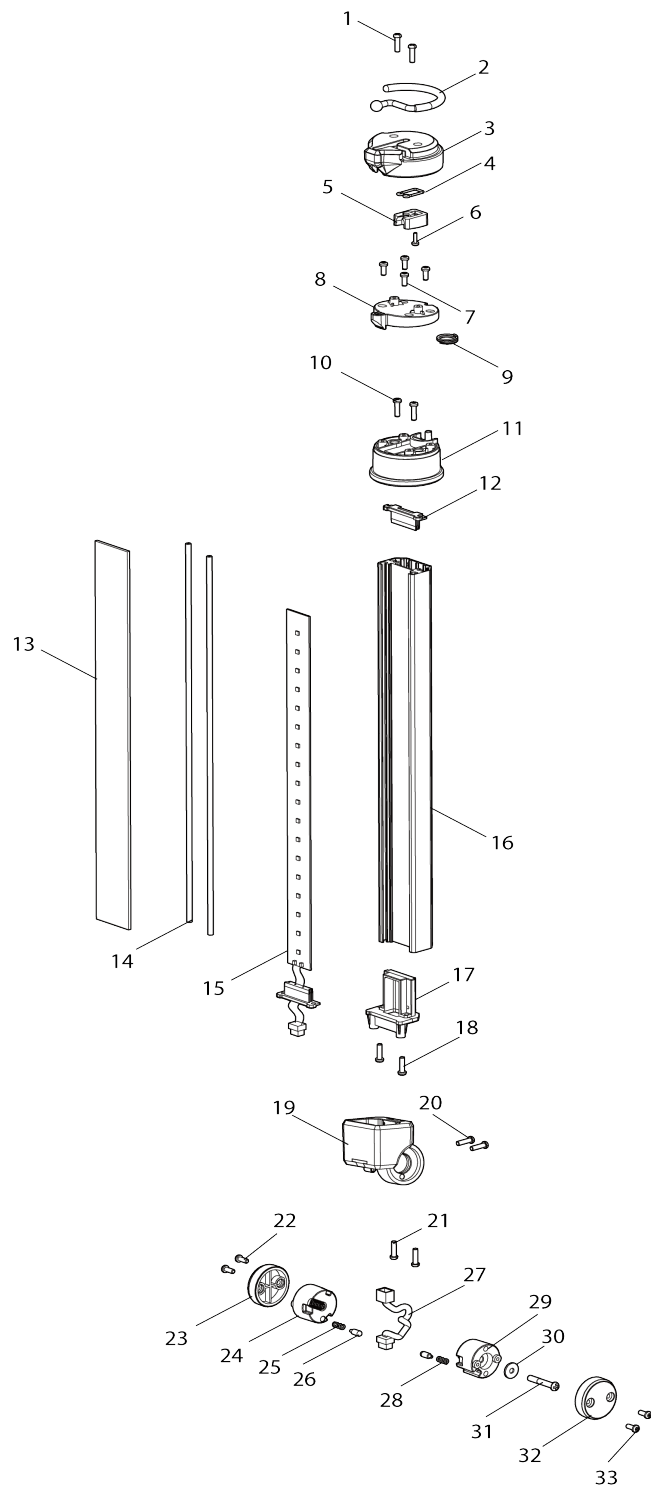
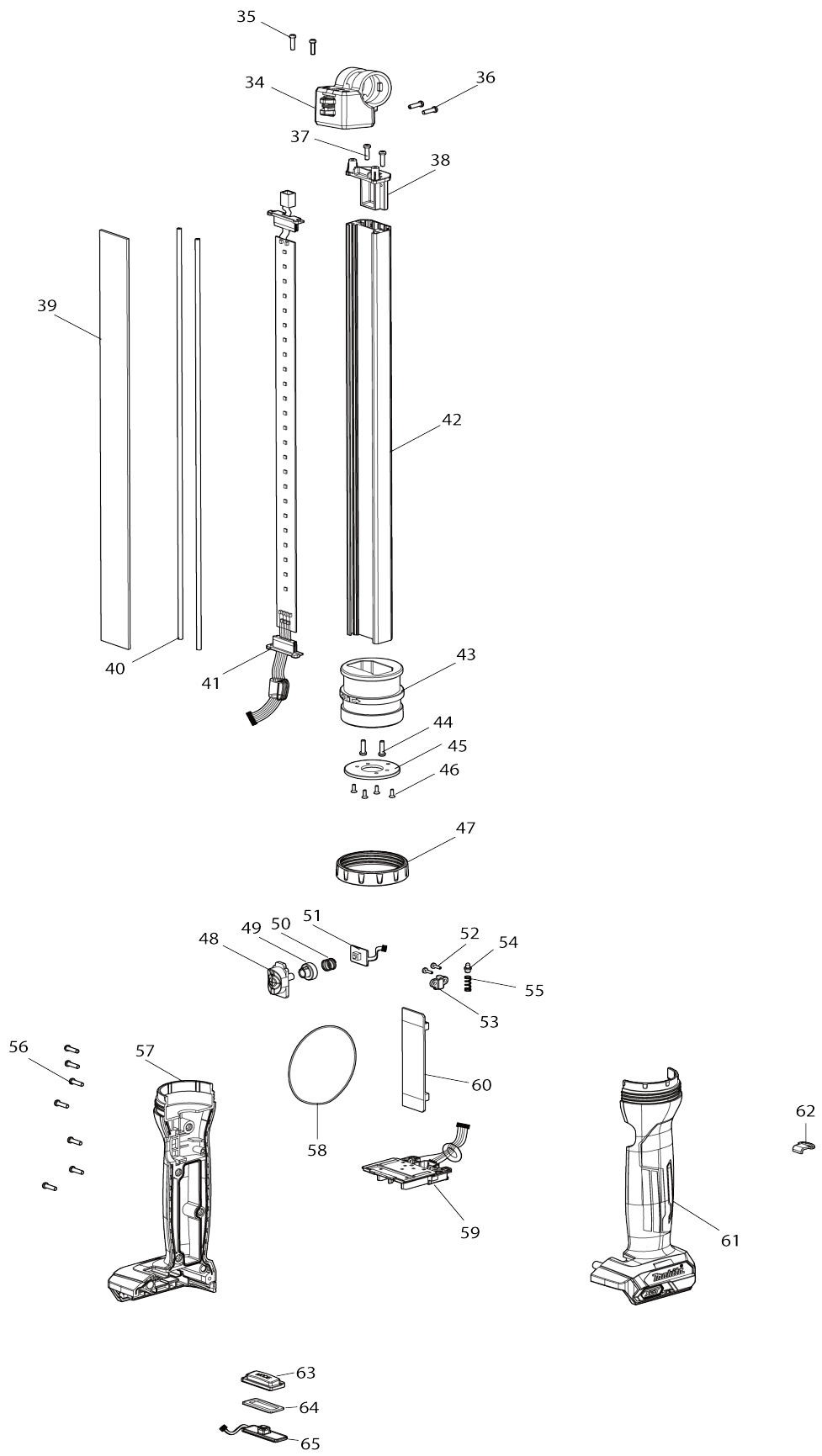


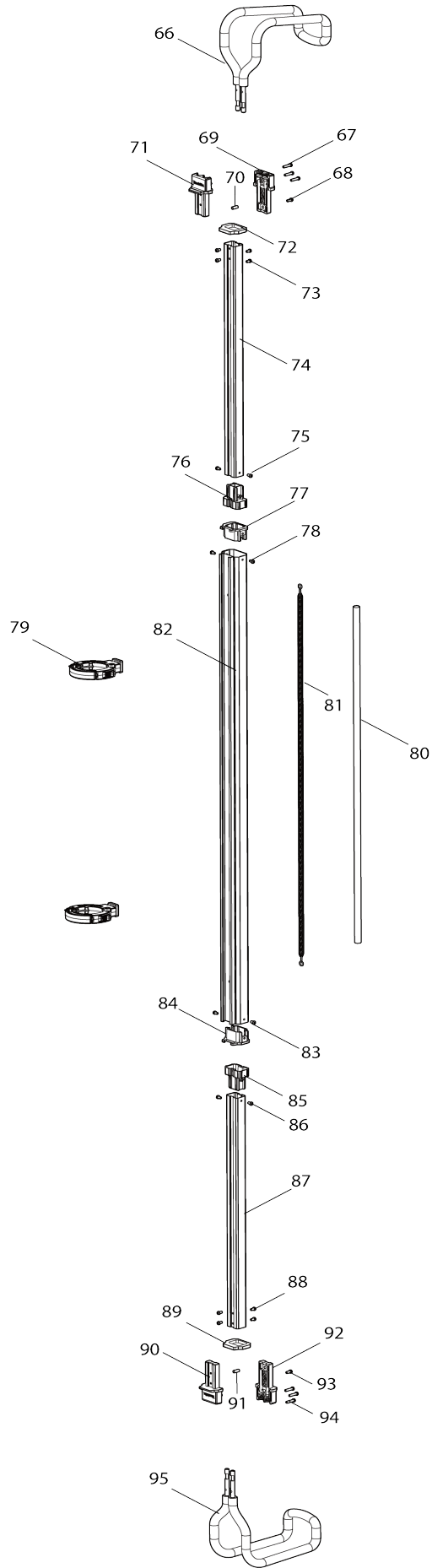
Model No.ML012G CORDLESS BAR LIGHT



Model No.ML012G CORDLESS BAR LIGHT



Model No.ML012G CORDLESS BAR LIGHT



Model No.ML012G CORDLESS BAR LIGHT

Item No.	Parts No.	Description	Interchangability	Q'ty	New/Old	Note1	Note2
001	GM00001012	SCREW 3X12 PB BLACK ZN		2			
002	GM00002543	TOP HOOK		1			
003	GM00002542	TOP SUPPORT B		1			
004	GM00002541	TOP HOOK SPRING		1			
005	GM00002540	HOOK SPRING COVER		1			
006	GM00001322	SCREW 2.6X8 PB		1			
007	GM00001332	SCREW 3 X 8 PB		4			
008	GM00002539	HOOK SUPPORT		1			
009	GM00002284	RING		1			
010	GM00002546	SCREW 3.2X12 PM		2			
011	GM00002535	TOP SUPPORT A		1			
012	GM00002534	LENS CUSHION B		1			
013	GM00002538	LENS B		1			
014	GM00002537	LENS O RING B		2			
015	GM00002536	LED PCBA ASSY-B		1			
016	GM00002533	ALUMINUM COVER B		1			
017	GM00002532	MIDDLE SUPPORT B1		1			
018	GM00002546	SCREW 3.2X12 PM		2			
019	GM00002531	MIDDLE SUPPORT B2		1			
020	GM00001012	SCREW 3X12 PB BLACK ZN		2			
021	GM00001012	SCREW 3X12 PB BLACK ZN		2			
022	GM00001332	SCREW 3 X 8 PB		2			
023	GM00002526	SPINDLE COVER		1			
024	GM00002527	SPINDLE L		1			
025	GM00002224	COMPRESSION SPRING		1			
026	GM00002525	NEEDLE B		2			
027	GM00002528	2P HOUSING CONNECTOR		1			
028	GM00002224	COMPRESSION SPRING		1			
029	GM00002529	SPINDLE R		1			
030	GM00002530	FLAT WASHER		1			
031	GM00002547	SCREW 4X26 PM		1			
032	GM00002526	SPINDLE COVER		1			
033	GM00001332	SCREW 3 X 8 PB		2			
034	GM00002524	MIDDLE SUPPORT A2		1			
035	GM00001012	SCREW 3X12 PB BLACK ZN		2			
036	GM00001012	SCREW 3X12 PB BLACK ZN		2			
037	GM00002546	SCREW 3.2X12 PM		2			
038	GM00002523	MIDDLE SUPPORT A1		1			
039	GM00002522	LENS A		1			
040	GM00002521	LENS O RING A		2			
041	GM00002520	LED PCBA ASSY-A		1			
042	GM00002519	ALUMINUM COVER A		1			
043	GM00002518	BOTTOM SUPPORT		1			
044	GM00002546	SCREW 3.2X12 PM		2			
045	GM00002517	NEEDLE SUPPORT		1			
046	GM00002219	SCREW 2.6X7 KB		4			
047	GM00002511	LOCK RING		1			

048	GM00002516	ON/OFF SWITCH		1		
049	GM00002515	ON/OFF SWITCH SUPPORT		1		
050	GM00002514	SPRING		1		
051	GM00002512	ON/OFF SWITCH PCBA		1		
052	GM00001322	SCREW 2.6X8 PB		2		
053	GM00002510	NEEDLE COVER		1		
054	GM00002570	NEEDLE C		1		
055	GM00002569	SPRING		1		
056	GM00001012	SCREW 3X12 PB BLACK ZN		7		
057	GM00002503	HOUSING ASSY		1		
058	GM00002502	O RING		1		
059	GM00002501	BATTERY HOLDER ASSY		1		
060	GM00002504	MAIN PCBA ASSY		1		
061	GM00002503	HOUSING ASSY		1		
062	GM00002231	STRAP HOOK		1		
063	GM00002508	MODE SWITCH COVER		1		
064	GM00002507	MODE SWITCH HOLDER		1		
065	GM00002505	MODE SWITCH PCBA ASSY		1		
066	GM00002553	HOLDER HOOK ASSY		1		
067	GM00002565	SCREW 3 X 15 PM		3		
068	GM00001332	SCREW 3 X 8 PB		1		
069	GM00002556	SPRING CLIP A		1		
070	GM00002554	PIN D		1		
071	GM00002555	SPRING CLIP B		1		
072	GM00002557	HOLDER CUSHION		1		
073	GM00002566	SCREW 3 X 6 PB		4		
074	GM00002558	ALUMINUM INNER COVER		1		
075	GM00002566	SCREW 3 X 6 PB		2		
076	GM00002559	ALUMINUM INNER COVER PLUG		1		
077	GM00002560	ALUMINUM OUTER COVER PLUG		1		
078	GM00002566	SCREW 3 X 6 PB		2		
079	GM00002562	CLAMP ASSY		2		
080	GM00002564	SILICON TUBE		1		
081	GM00002561	TENSION SPRING		1		
082	GM00002563	ALUMINUM OUTER COVER		1		
083	GM00002566	SCREW 3 X 6 PB		2		
084	GM00002560	ALUMINUM OUTER COVER PLUG		1		
085	GM00002559	ALUMINUM INNER COVER PLUG		1		
086	GM00002566	SCREW 3 X 6 PB		2		
087	GM00002558	ALUMINUM INNER COVER		1		
088	GM00002566	SCREW 3 X 6 PB		4		
089	GM00002557	HOLDER CUSHION		1		
090	GM00002555	SPRING CLIP B		1		
091	GM00002554	PIN D		1		
092	GM00002556	SPRING CLIP A		1		
093	GM00001332	SCREW 3 X 8 PB		1		
094	GM00002565	SCREW 3 X 15 PM		3		
095	GM00002553	HOLDER HOOK ASSY		1		
A01	GM00002544	HAND STRAP		1		

Please state Parts No. when your order.

Print Date 20. 12. 2024