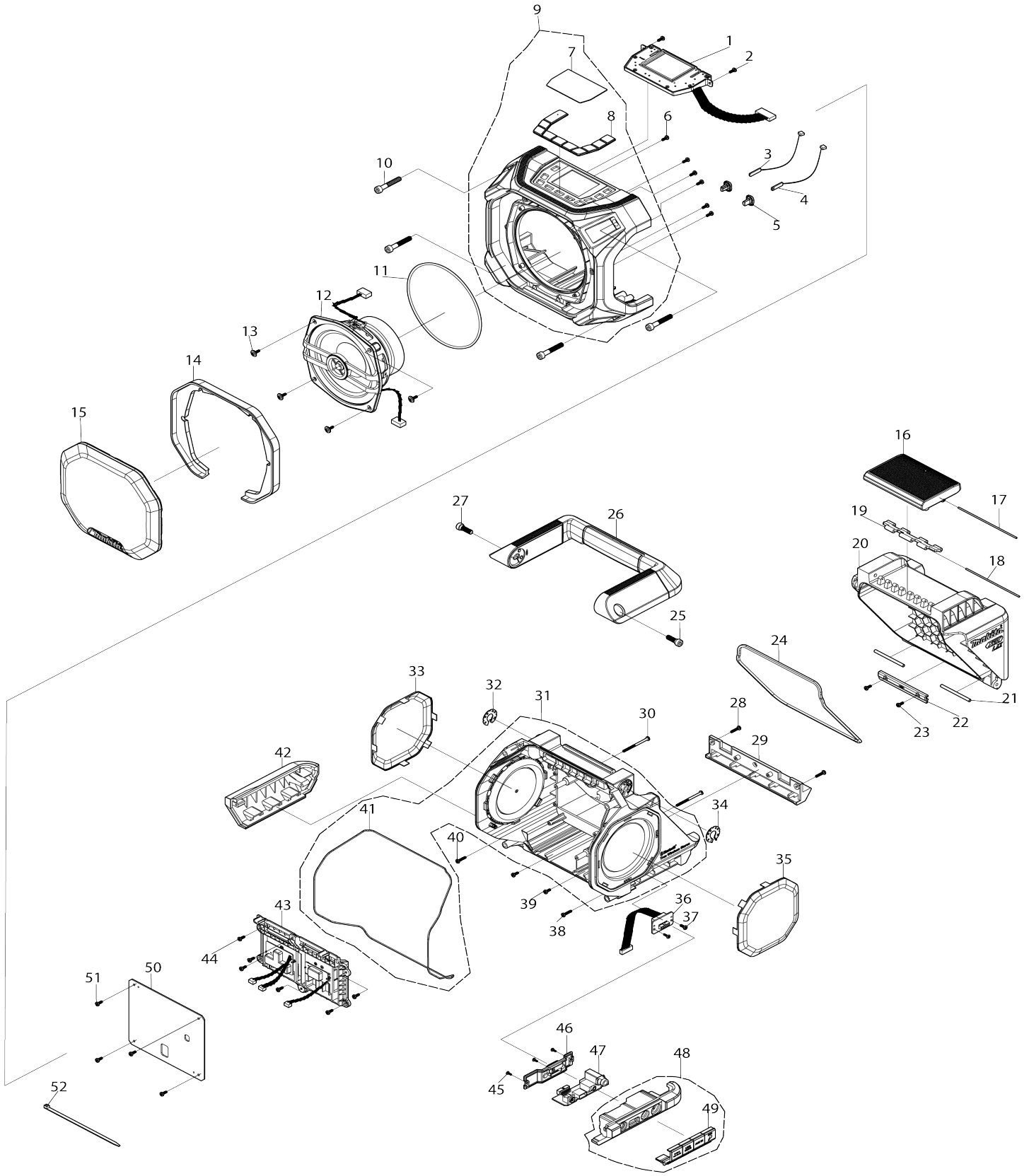


Model No.MR014G CORDLESS JOB SITE SPEAKER



Model No.MR014G CORDLESS JOB SITE SPEAKER

Item No.	Parts No.	Description	Interchangability	Q'ty	New/Old	Note1	Note2
001	SE00001259	PCB C ASSY		1			
002	SE00000521	SCREW PTB 3X8(ZK) 29S16308001		2			
003	SE00001260	PCB E ASSY(L)		1			
004	SE00001261	PCB E ASSY(R)		1			
005	SE00001262	LED RUBBER		2			
006	SE00000521	SCREW PTB 3X8(ZK) 29S16308001		6			
007	SE00001263	DISPLAY PLATE		1			
008	SE00001264	RUBBER KEY		1			
009	SE00001265	FRONT CABINET ASSY		1			
009		INC. 7,8					
010	SE00000530	SCREW PTHE 6X37(CR) 29S1793701		4			
011	SE00001266	SPEAKER PACKING		1			
012	SE00001267	SPEAKER ASSY		1	*		
012-1	SE00001313	SPEAKER ASSY	<	1			
013	SE00000557	SCREW PTPW 3X10(ZK) 29S1531000		4			
014	SE00001268	FRONT LENS		1			
015	SE00001269	SPEAKER GRILL ASSY		1			
016	SE00001270	LOCKER COVER		1			
017	SE00001271	PIN D2X108		1			
018	SE00001272	PIN D2X99		1			
019	SE00001273	LOCKER HINGE		1			
020	SE00001274	BATTERY COVER ASSY		1			
021	SE00001275	PIN D4X54		2			
022	SE00001276	PIN HOLDER		1			
023	SE00000521	SCREW PTB 3X8(ZK) 29S16308001		2			
024	SE00001277	BATTERY PACKING		1			
025	SE09176166	HEX SCREW M6X16		1			
026	SE00001278	HANDLE ASSY		1			
027	SE09176166	HEX SCREW M6X16		1			
028	SE00000451	SCREW PTB 3X12 ZK 29S16312001		2			
029	SE00001279	REAR BUMPER		1			
030	SE00000445	SCREW PTB 3X45(NI)		2			
031	SE00001280	REAR CABINET ASSY		1			
031		INC. 41					
032	SE00001281	HANDLE SUS PLATE		1			
033	SE00001282	PASSIVE GRILL		1			
034	SE00001281	HANDLE SUS PLATE		1			
035	SE00001282	PASSIVE GRILL		1			
036	SE00001283	PCB D ASSY		1			
037	SE00000521	SCREW PTB 3X8(ZK) 29S16308001		2			
038	SE00000451	SCREW PTB 3X12 ZK 29S16312001		1			
039	SE00000521	SCREW PTB 3X8(ZK) 29S1630800		2			

		1				
040	SE00000451	SCREW PTB 3X12 ZK 29S1631200 1		1		
041	SE00001284	REAR PACKING		1		
042	SE00001285	REAR BUMPER L		1		
043	SE00001286	TERMINAL ASSY		1		
044	SE00000521	SCREW PTB 3X8(ZK) 29S1630800 1		6		
045	SE00000521	SCREW PTB 3X8(ZK) 29S1630800 1		3		
046	SE00001287	JACK COVER ASSY		1		
047	SE00001288	PCB B ASSY		1		
048	SE00001289	REAR BUMPER R ASSY		1		
048		INC. 49				
049	SE00001290	JACK RUBBER COVER		1		
050	SE00001291	PCB A ASSY		1		
051	SE00000521	SCREW PTB 3X8(ZK) 29S1630800 1		4		
052	SE00000195	W/TIES 100MM		1		
A01	SE00001249	AC ADAPTER CE		1		

Please state Parts No. when your order.

Print Date 13. 12. 2024