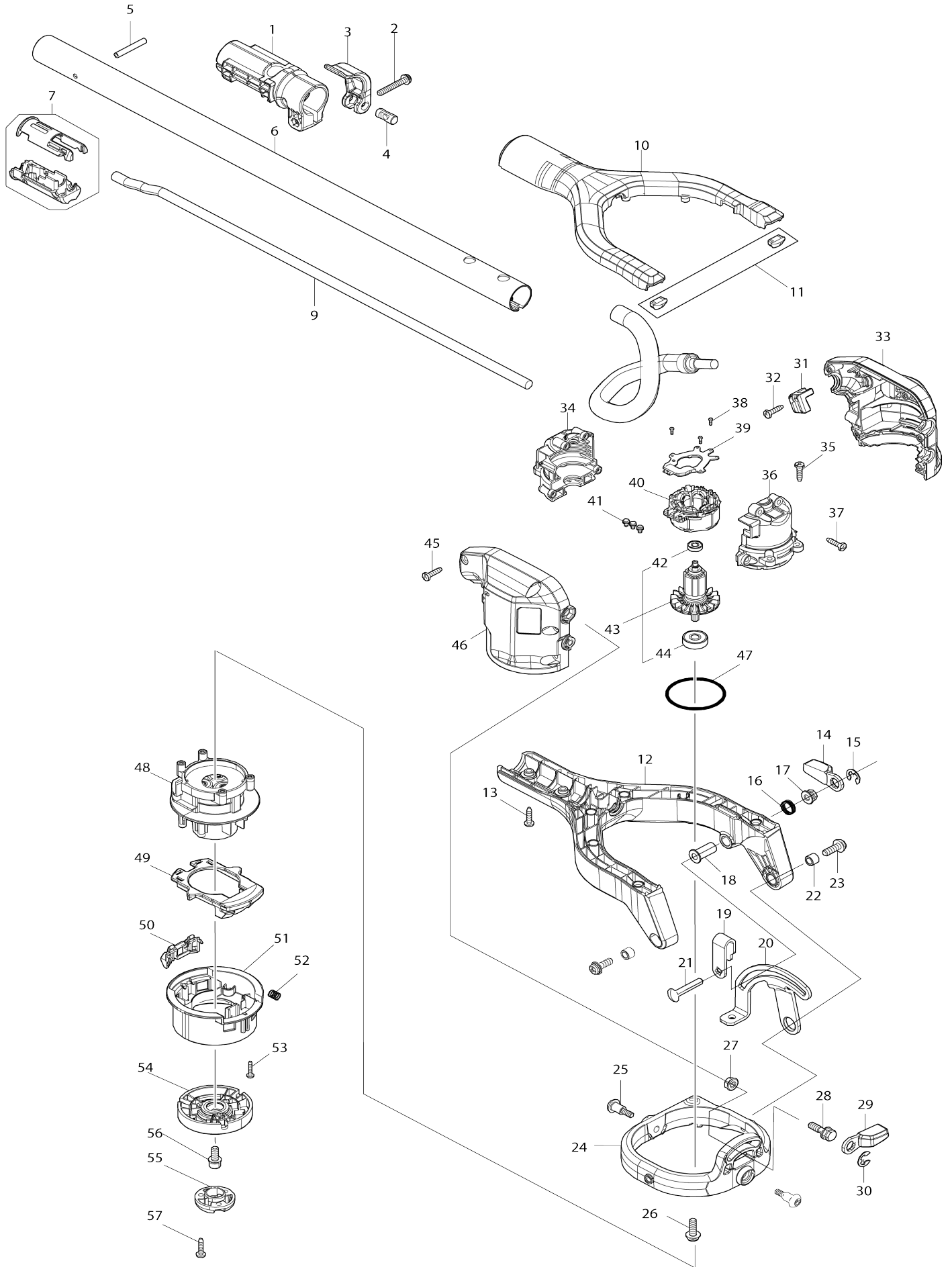
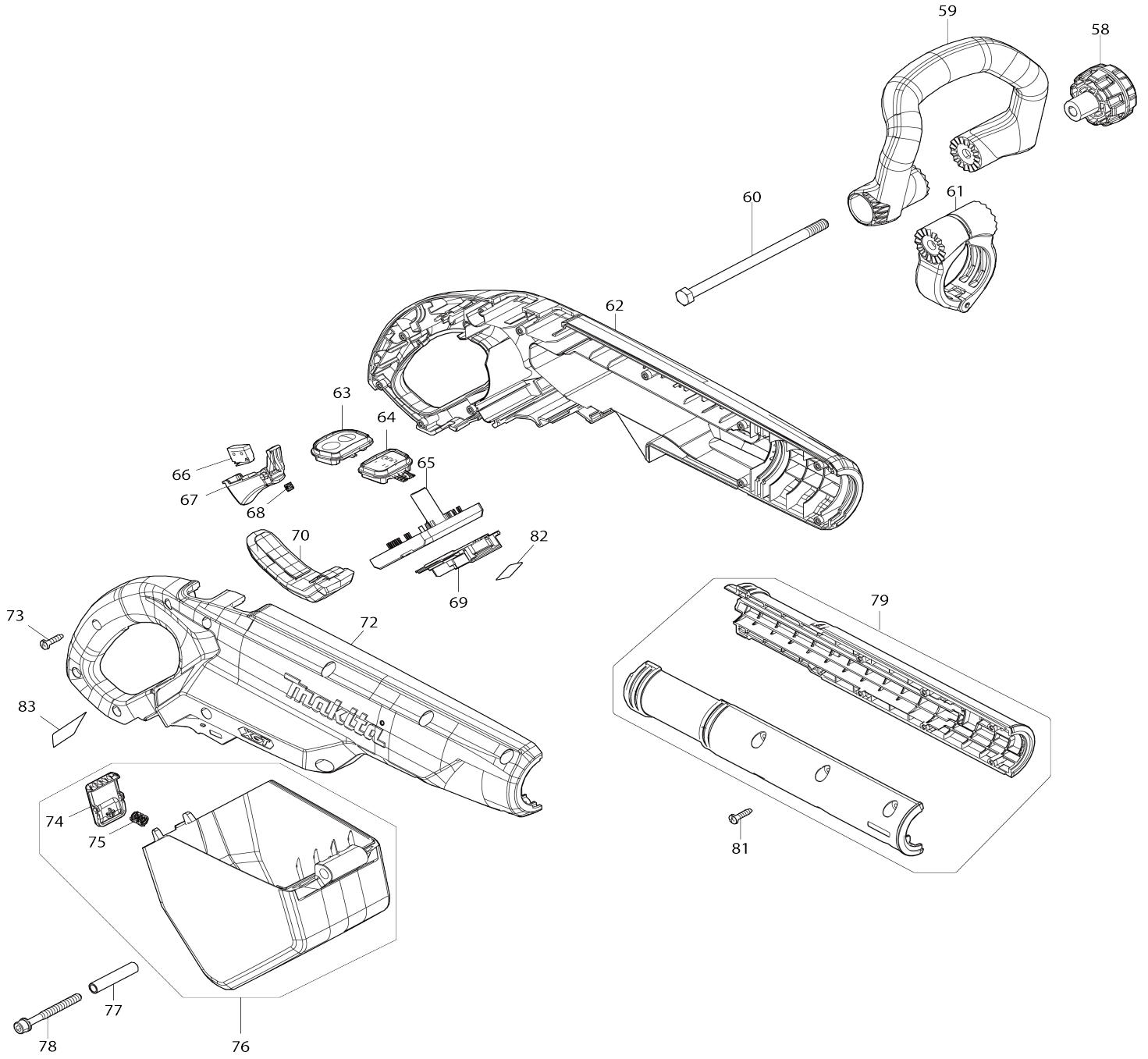


Model No.PS001G CORDLESS POLISHER SCRUBBER



Model No.PS001G CORDLESS POLISHER SCRUBBER



Model No.PS001G CORDLESS POLISHER SCRUBBER

Item No.	Parts No.	Description	Interchangability	Q'ty	New/Old	Note1	Note2
001	4131A8-2	Sleeve		1			
002	265D91-4	Pan head screw M5X35 WR		1			
003	4131A9-0	Lever		1			
004	327E33-3	Pin 9		1			
005	951175-7	SPRING PIN 5-36		1			
006	327E32-5	Pipe 28		1			
007	1830Y7-7	CORD HOLDER SET		1			
009	699251-6	Power supply cord unit		1			
010	1830Y9-3	ARM SET		1			
010		INC. 12					
011	620N28-2	LED circuit		1			
012	1830Y9-3	ARM SET		1			
012		INC. 10					
013	265D95-6	Tapping screw 4X18		8			
014	271483-3	Lever 39		1			
015	259095-2	Stop ring E-8		1			
016	232908-2	Torsion spring 13		1			
017	252351-9	Hex. nut M6		1			
018	257A52-0	Collared sleeve 6		1			
019	347D09-8	Fix plate		1			
020	347D08-0	Adjust plate		1			
021	265D90-6	Round head square neck bolt M6 X35		1			
022	257A53-8	Sleeve 6		2			
023	265D92-2	Pan head screw M6X20 WG		2			
024	312H45-7	Frame		1			
025	265D88-3	Hex. socket button head bolt M8 X22		2			
026	265D92-2	Pan head screw M6X20 WG		1			
027	252348-8	Flange nut M6		1			
028	265D89-1	Hex. head bolt M6X20		1			
029	271483-3	Lever 39		1			
030	259095-2	Stop ring E-8		1			
031	687261-5	STRAIN RELIEF		1			
032	265D95-6	Tapping screw 4X18		1			
033	1831C1-1	HEAD COVER SET		1			
C10	8081H1-2	CAUTION LABEL		1			
033		INC. 46					
034	1830Y6-9	MOTOR HOUSING SET		1			
034		INC. 36					
035	265D95-6	Tapping screw 4X18		4			
036	1830Y6-9	MOTOR HOUSING SET		1			
036		INC. 34					
037	265D95-6	Tapping screw 4X18		4			
038	266490-9	TAPPING SCREW PT 2X6		3			
039	620N29-0	Controller B		1			
040	629C80-1	Stator		1			
041	652069-6	FLAT HEAD SCREW M3X6		3			

042	210039-7	BALL BEARING 695DDW		1		
043	519870-1	ROTOR ASS'Y		1		
043		INC. 42,44				
044	210023-2	BALL BEARING 627DDW		1		
045	265D95-6	Tapping screw 4X18		6		
046	1831C1-1	HEAD COVER SET		1		
C10	8081H1-2	CAUTION LABEL		1		
046		INC. 33				
047	213A01-7	O-RING 50		1		
048	122G86-7	Gear assembly		1		
049	4131C4-4	Hook A		1		
050	4131C6-0	Hook B		1		
051	4131C5-2	Hook cover		1		
052	232904-0	Compression spring 8		1		
053	265D96-4	Tapping screw 3X16		4		
054	4131C0-2	Adapter		1		
055	4131C1-0	Cap 36		1		
056	265D93-0	Hex. socket head bolt M6X16 WG		1		
057	265D95-6	Tapping screw 4X18		3		
058	252349-6	Thumb nut M8		1		
059	4131C2-8	Front handle		1		
060	265D87-5	Hex. head bolt M8X150		1		
061	1410A7-5	Handle base 50 complete		1		
062	1830Y1-9	HANDLE SET		1		
C10	263005-3	RUBBER PIN 6		2		
062		INC. 72				
063	141D66-6	SWITCH CIRCUIT COMPLETE E		1		
064	1410B1-4	Indication circuit complete		1		
065	620N27-4	Controller		1		
066	632V96-1	Switch unit		1		
067	4131A7-4	Switch lever		1		
068	232485-4	COMPRESSION SPRING 5		1		
069	632P49-4	TERMINAL UNIT		1		
070	422B90-9	Rubber guard		1		
072	1830Y1-9	HANDLE SET		1		
C10	263005-3	RUBBER PIN 6		2		
072		INC. 62				
073	265D95-6	Tapping screw 4X18		12		
074	4131C3-6	Cover hook		1		
075	232904-0	Compression spring 8		1		
076	137207-6	BATTERY COVER L ASS'Y		1		
076		INC. 74,75				
077	257A54-6	Sleeve 6		1		
078	265D94-8	Hex. socket head bolt M6X60 WR		1		
079	1831A0-9	PIPE HOUSING SET		1		
081	265D95-6	Tapping screw 4X18		6		
082	8147Y3-3	PS001G SERIAL NO. LABEL		1		
083	8147X7-8	PS001G NAME PLATE		1		
A01	1914T1-4	Brush 190 medium set		1		
A02	122H58-8	Splash guard assembly		1		
C10	141Y87-4	Cover complete		1		
C20	1410A8-3	Brush complete		1		

C30	232905-8	Compression spring 5		6		
C40	265D95-6	Tapping screw 4X18		6		
C50	4131B4-7	Brush stopper		1		
A03	1914S4-1	Pad holder 175 set		1		
A04	1914S5-9	Floor pad 200 White set		1		
A05	1914S6-7	Floor pad 200 Red set		1		
A06	1914S7-5	Floor pad 200 Blue set		1		
A07	1915D1-8	Accessory bag set		1		
A08B	191B26-6	BATTERY BL4040 SET		1		
A09B	***DC40RA	DC40RA FAST CHARGER		1		
A09B		COMPO-PARTS				
F01	1914S4-1	Pad holder 175 set		1		
F02	1914S5-9	Floor pad 200 White set		1		
F03	1914S6-7	Floor pad 200 Red set		1		
F04	1914S7-5	Floor pad 200 Blue set		1		
F05	1914S8-3	Floor pad 200 Brown set		1		
F06	1914S9-1	Floor pad 200 Black set		1		
F07	1914T0-6	Brush 190 soft set		1		
F08	1914T1-4	Brush 190 medium set		1		
F09	1914T2-2	Brush 190 hard set		1		
F10	1914T3-0	Brush 190 abrasive set		1		
F11	1915D1-8	Accessory bag set		1		

Please state Parts No. when your order.

Print Date 10. 04. 2025