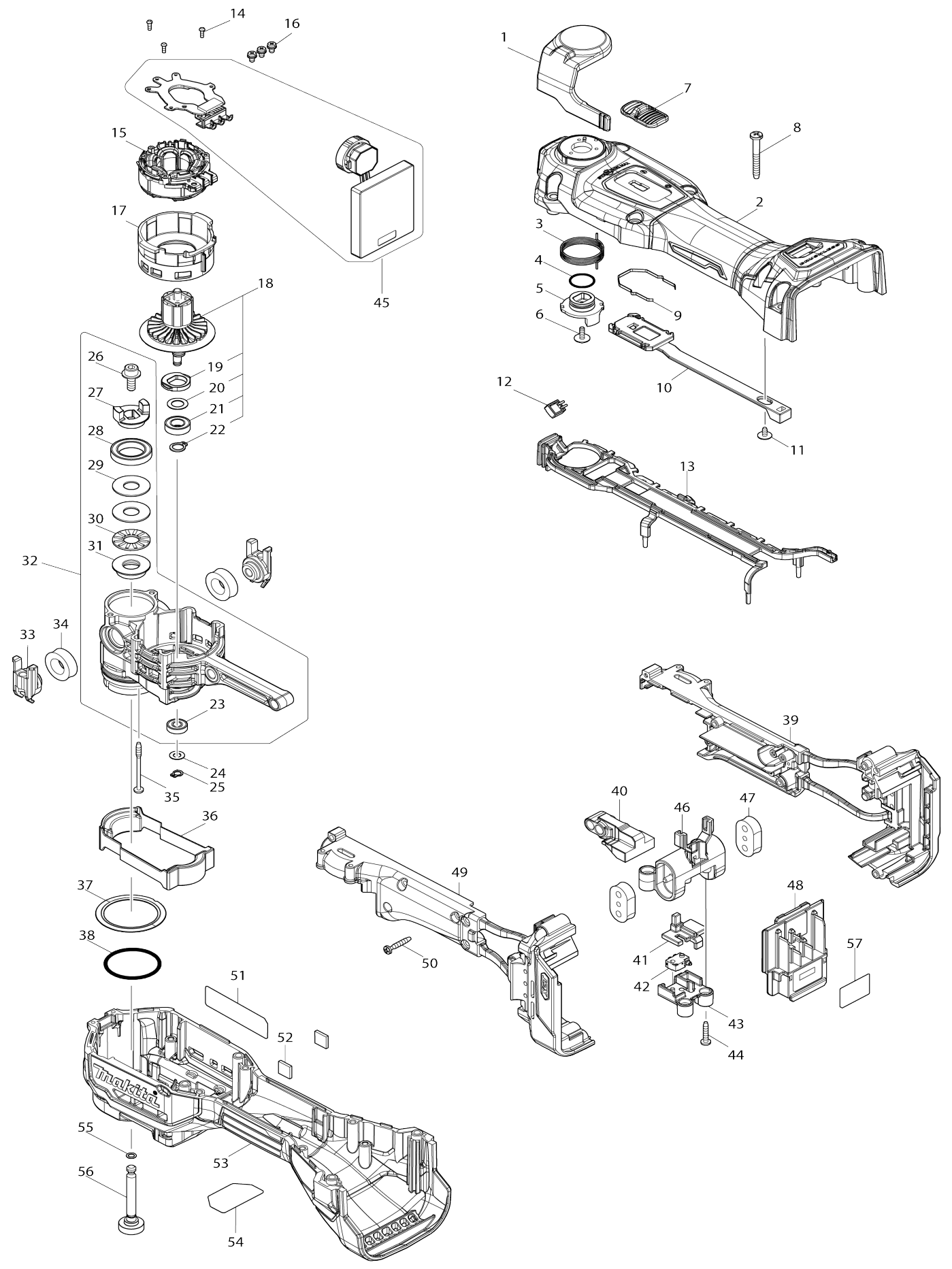


Model No. TM001G CORDLESS MULTI TOOL



Model No.TM001G CORDLESS MULTI TOOL

Item No.	Parts No.	Description	Interchangability	Q'ty	New/Old	Note1	Note2
001	137159-1	LEVER ASS'Y		1			
C10	263032-0	RUBBER PIN 4		1			
002	1831A6-7	HOUSING SET		1			
002		INC. 52,53,54					
003	232680-6	TORSION SPRING 25		1			
004	213070-2	O RING 10		1			
005	313517-7	DRIVER B		1			
006	265B82-3	P.H.SCREW M3X10 WITH WR		1			
007	413G34-0	SWITCH KNOB		1			
008	266351-3	TAPPING SCREW 4X35		8			
009	232906-6	LEAF SPRING		1			
010	4131D9-1	SWITCH LEVER A		1			
011	265B81-5	TAPPING SCREW FLANGE 3X6		1			
012	620E79-1	LED CIRCUIT		1			
013	413400-9	LED GUIDE		1			
014	266490-9	TAPPING SCREW PT 2X6		3			
015	629C79-6	STATOR		1			
016	652069-6	FLAT HEAD SCREW M3X6		3			
017	413394-8	MOTOR HOUSING		1			
018	519683-0	ROTOR ASSY		1			
C10	210248-8	BALL BEARING 6901DDW		1			
C20	253492-4	FLAT WASHER 21		1			
018		INC. 19-22					
019	313361-2	BALANCER		1			
020	253777-8	FLAT WASHER 8		1			
021	210249-6	BALL BEARING 688LLU		1			
022	961004-6	RETAINING RING (EXT) S-8		1			
023	210281-0	BALL BEARING 695 DDW		1			
024	253811-4	FLAT WASHER 5		1			
025	961008-8	RETAINING RING S-5		1			
026	265B79-2	H.S.H.BOLT M5X14 WITH GM		1			
027	313516-9	DRIVER A		1			
028	210150-5	BALL BEARING 6803DDW		1			
029	216054-9	WASHER 1024		2	*		
029-1	253617-0	FLAT WASHER 10	O	1			
030	216055-7	THRUST NEEDLE CAGE 1024		1			
031	224616-9	FLANGE 10		1			
032	137120-8	CRANK HOUSING ASS'Y		1			
032		INC. 23,26-31					
033	413401-7	CUSSION SUPPORT F		2			
034	422677-5	CUSHION F		2			
035	266327-0	TAPPING SCREW 3X40		4			
036	422721-8	CAP		1			
037	422B02-2	RUBBER RING 35		1			
038	213497-6	O-RING 31.5		1			
039	1830W2-3	INNER HOUSING SET		1			
C10	263005-3	RUBBER PIN 6		2			

039		INC. 49				
040	313365-4	WEIGHT		1		
041	4131E0-6	SWITCH LEVER B		1		
042	632S34-5	SWITCH UNIT		1		
043	4131E2-2	SWITCH BASE		1		
044	266429-2	TAPPING SCREW 3X16		2		
045	620P59-3	CONTROLLER		1		
046	4131E1-4	SWITCH COVER		1		
047	422678-3	CUSHION R		2		
048	632P65-6	TERMINAL UNIT		1		
049	1830W2-3	INNER HOUSING SET		1		
C10	263005-3	RUBBER PIN 6		2		
049		INC. 39				
050	251497-8	TAPPING SCREW 3X20		8		
051	8147N1-0	TM001G NAME PLATE		1		
052	422679-1	CUSHION M		2		
053	1831A6-7	HOUSING SET		1		
053		INC. 2,52,54				
054	8032F3-5	INDICATION LABEL		1		
055	213032-0	O RING 4		1		
056	327769-4	HOLDER BOLT		1		
057	8147N3-6	TM001G SERIAL NO. LABEL		1		
A01	821551-8	CONNECTOR PLASTIC CASE (TYP E3)		1		
C10	453974-8	LATCH		4		
A02	836313-1	INNER TRAY		1		
A03	191R02-6	DUST ATTACHMENT SET		1		
A04	821852-4	TOOL BOX		1		
C10	413608-5	SLIDE LATCH		1		
A05	B-64814	STARLOCK CUTSAW 32 TMA047 BIM		1		
A06	B-64799	STARLOCK SEGMENTSAW 85 TM A045		1		
A07	B-64939	STARLOCK CUTSAW 32 TMA059 BIM		1		
A08	B-66400	BOW SHAPE PLUNGE CUT SAWB LADE		1		
A09	B-21624	ABRASIVEPAPER DELTA RED 60		1		
A10	B-22947	ABRASIVEPAPER DELTA RED 100		1		
A11	B-22953	ABRASIVEPAPER DELTA RED 150		1		
A12	B-65115	STARLOCK SANDING PAD 93 TM A078		1		
A13	***DC40RA	DC40RA FAST CHARGER		1		
A13		COMPO-PARTS				
A14	412393-7	BATTERY COVER		1		
A15	191B36-3	BATTERY BL4025 SET		2		

Please state Parts No. when your order.

Print Date 10. 12. 2024